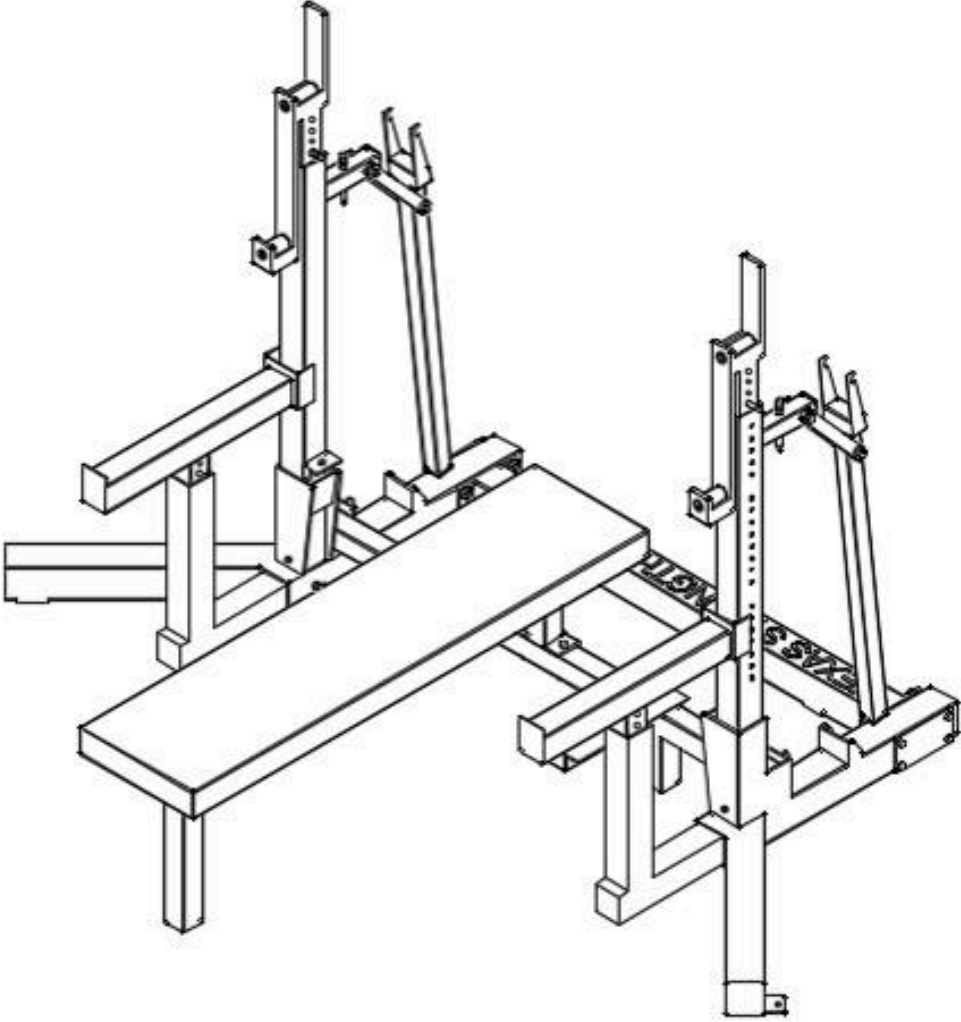


Combo Rack



⚠️ WARNING

Read all safety warnings, instructions and illustrations provided for this piece of strength equipment. Failure to follow all instructions listed below may result in serious injury or death. User assumes all potential risks of assembly or use of this product.

PERSONAL SAFETY

- Stay alert, watch what you are doing when assembling and operating the strength equipment. Do not use the strength equipment while you are tired or under the influence of drugs, alcohol or medication. A moment of inattention while operating or assembling the strength equipment may result in serious or fatal injury.

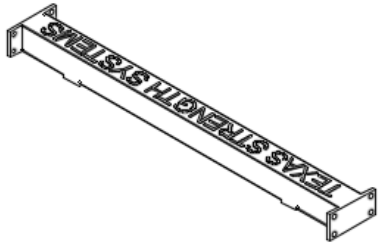
EQUIPMENT USE AND CARE

- Visually inspect all components in order to identify potential deformation or damage. If damages are observed, discontinue assembly and contact the manufacturer at shipping@texasstrengthsystems.com, wesz@texasstrengthsystems.com.
- There are components involved with the assembly of this piece of strength equipment that are above 50lbs and it is recommended that you have an additional person to assist in the positioning of these items.
- Ensure that all components are securely fastened before use.

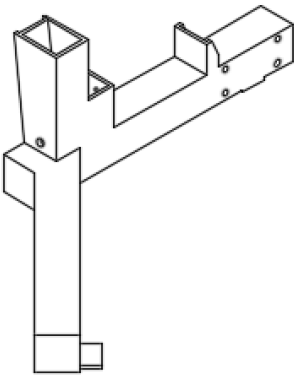
Required Tools

- Crescent Wrench
- 9/16" Socket and Wrench

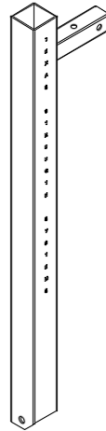
Parts



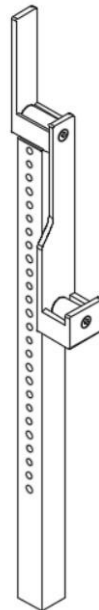
CR-001 | (x1) | Part A



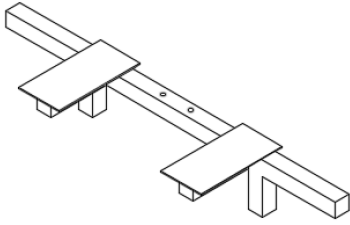
CR-002 | (x2) | Part B



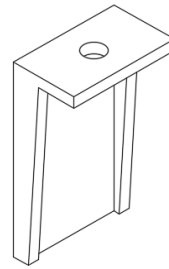
CR-003 | (x2) | Part C



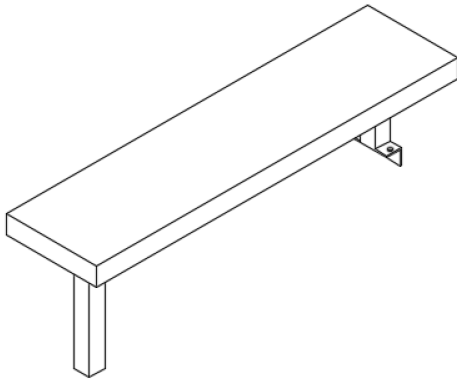
CR-004 | (x2) | Part D



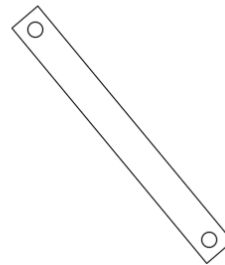
CR-005 | (x1) | Part E



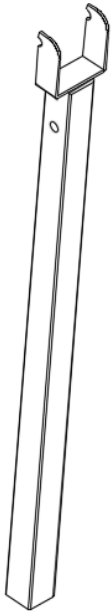
CR-008 | (x2) | Part H



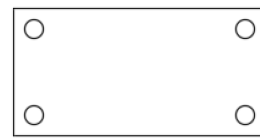
CR-006 | (x1) | Part F



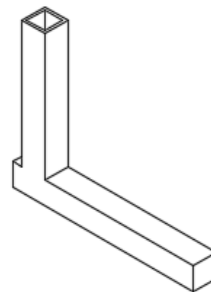
CR-009 | (x4) | Part I



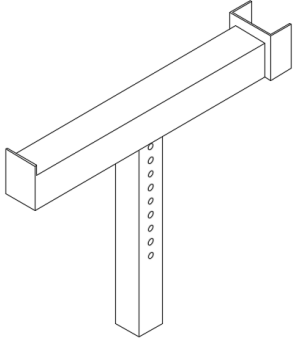
CR-007 | (x2) | Part G



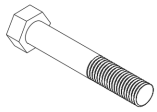
CR-010 | (x2) | Part J



CR-100 | (x2) | Part FB
(Upgrade)



CR-200 | (x2) | Part FS
(Upgrade)



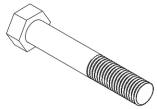
$\frac{3}{8}$ " x 4" Bolt | (x8) | Part K



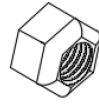
$\frac{3}{8}$ " Flat Washer | (x16) | Part L



$\frac{3}{8}$ " Lock Nut | (x6) | Part M



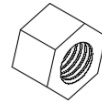
$\frac{3}{8}$ " x 3" Bolt | (x6) | Part O



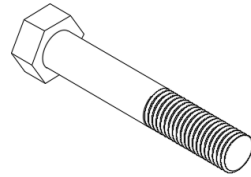
$\frac{3}{8}$ " Stover Nut | (x8) | Part P



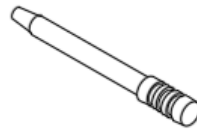
$\frac{1}{2}$ " Lock Washer | (x2) | Part Q



$\frac{1}{2}$ " Nut | (x2) | Part R



$\frac{1}{2}$ " x 4 $\frac{1}{2}$ " Bolt | (x2) | Part S



Height Pin | (x4) or *(x6)* | Part T

Assembly

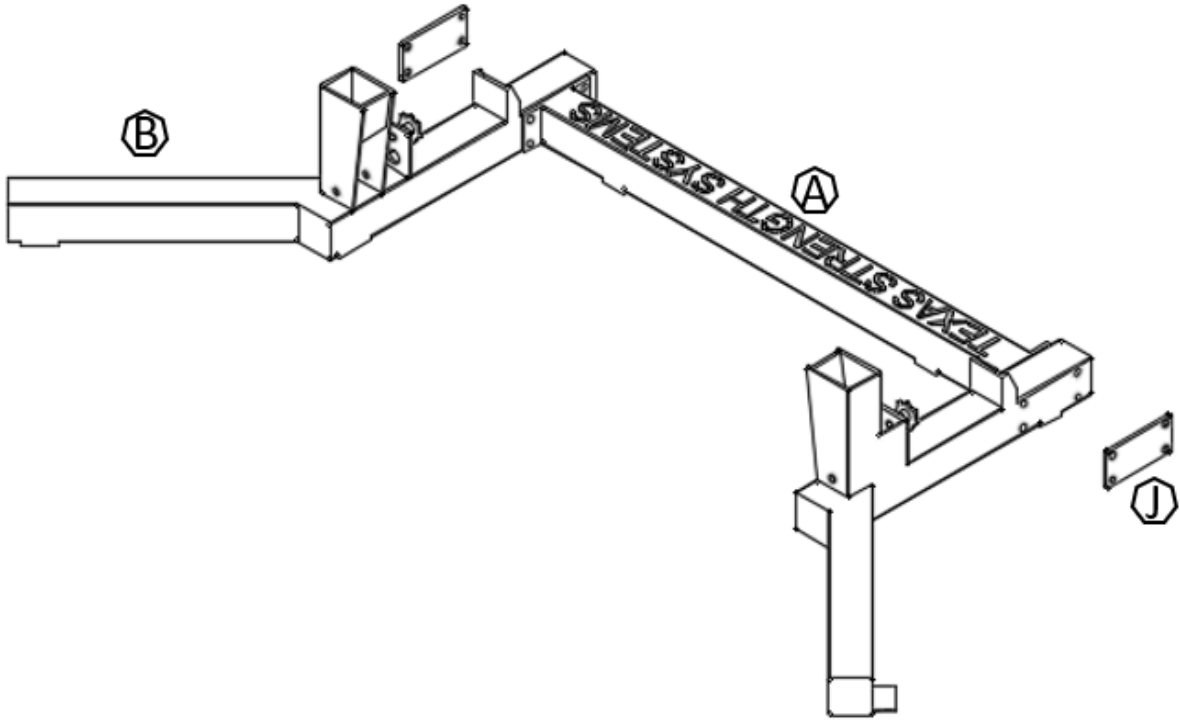


Image 1

Place parts A, B and J in the orientation as seen in image 1.

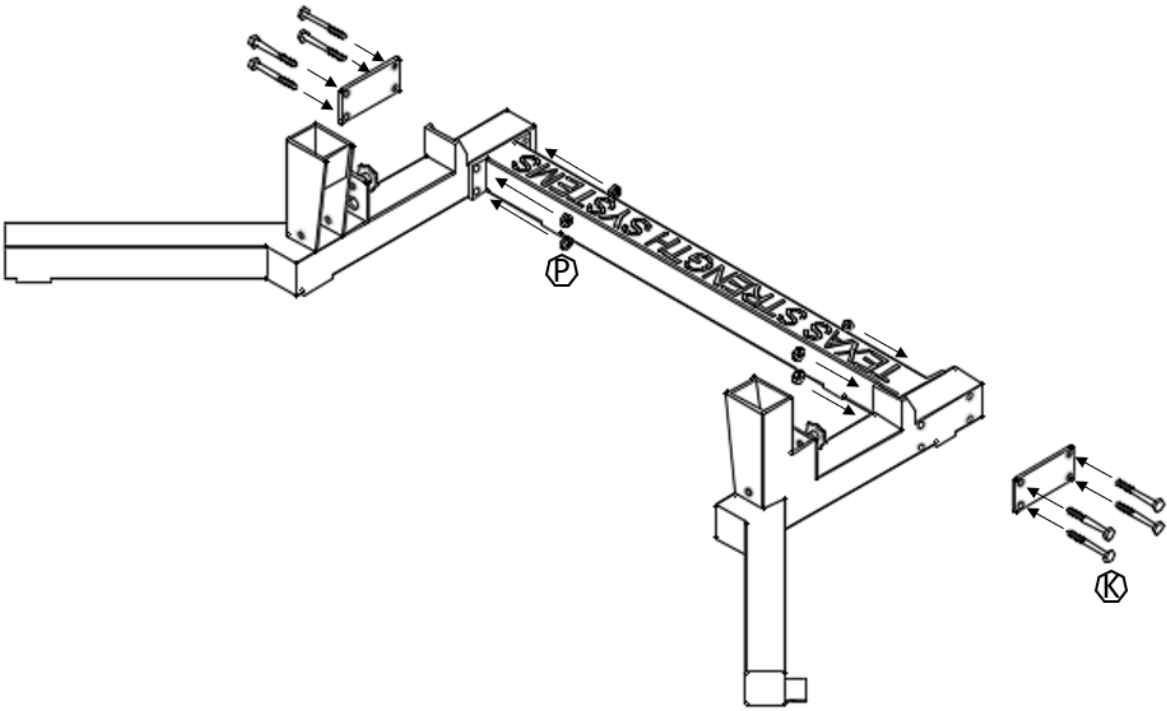


Image 2

Place parts K and P as seen in image 2. Tighten bolts with 9/16" socket and crescent wrench.

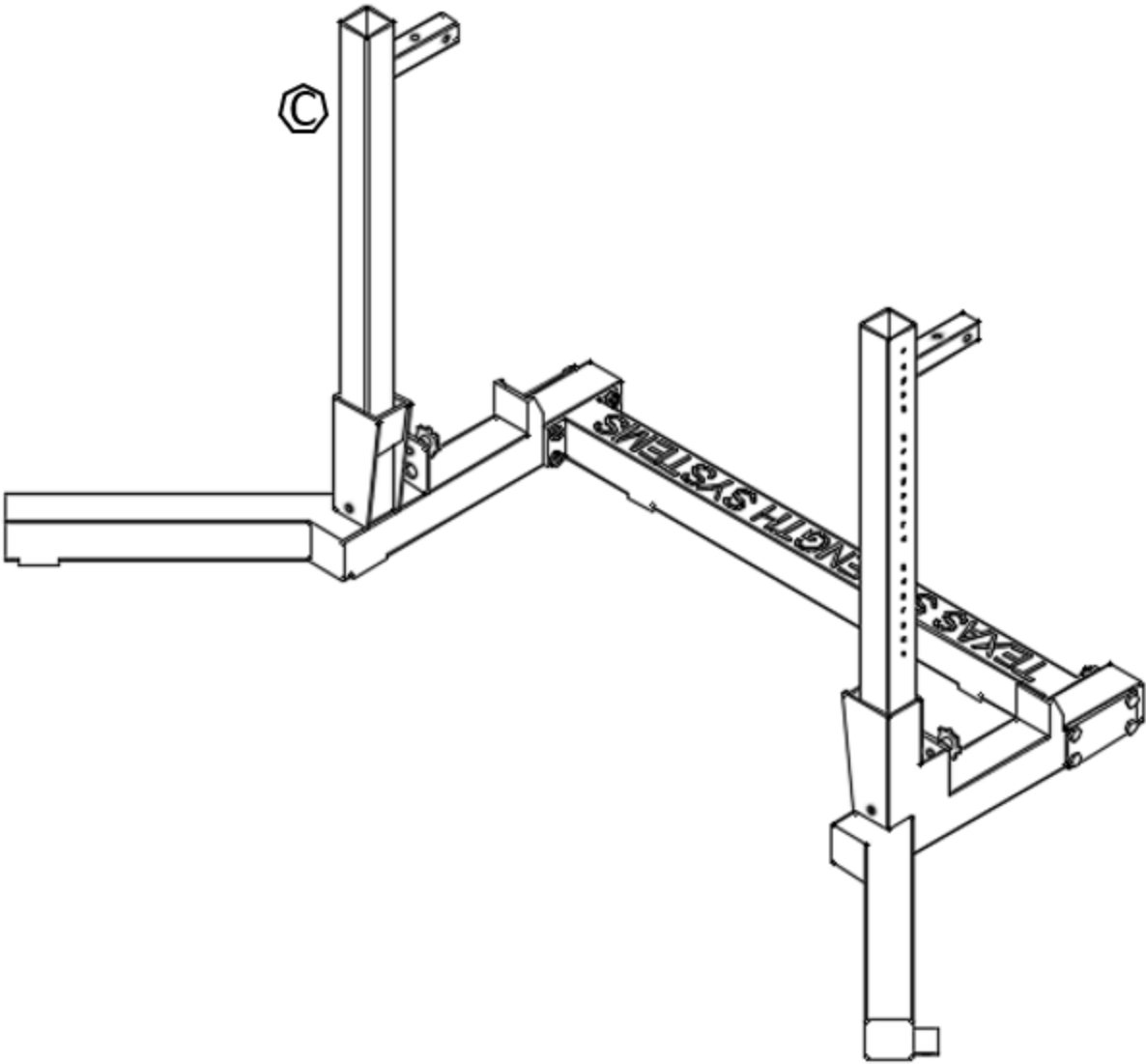


Image 3

Place part C in B with the logo facing out as seen in image 3.

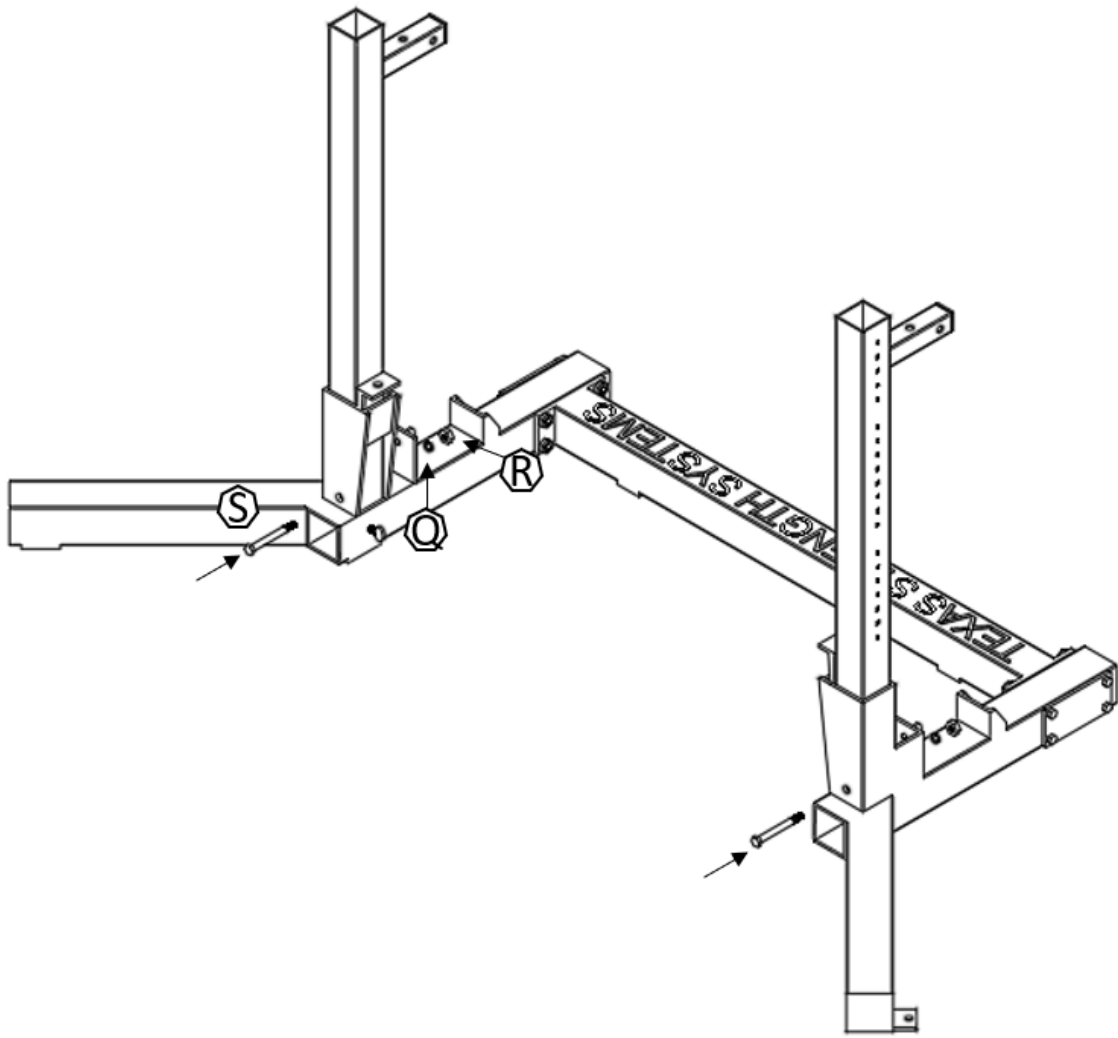


Image 4

Place and tighten parts Q, R, and S in the orientation seen in image 4 above with the bolt inserted through the front and lock washer and nut placed on the back.

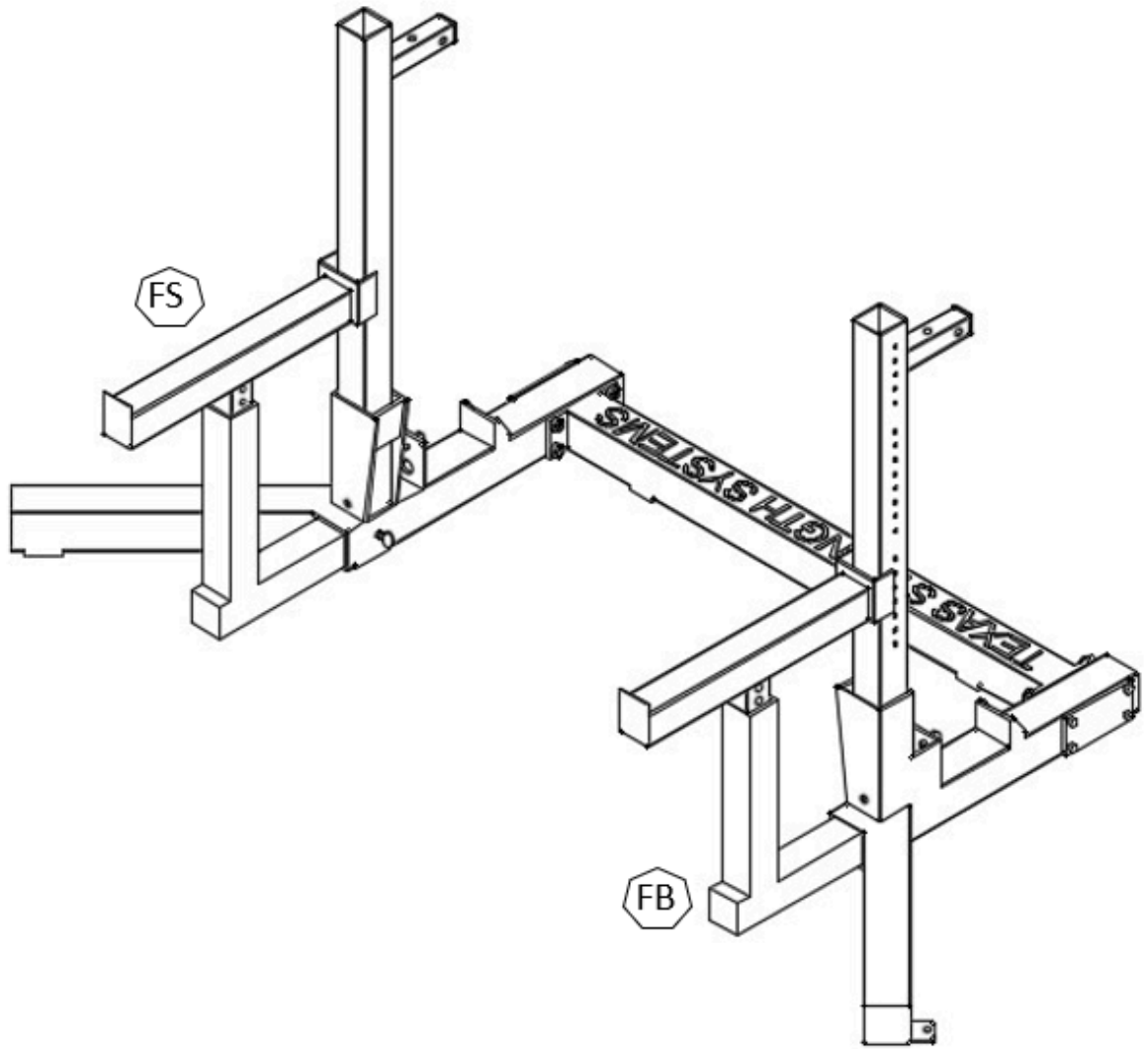


Image 5

If face savers were purchased parts FB and FS are placed as seen in image 5

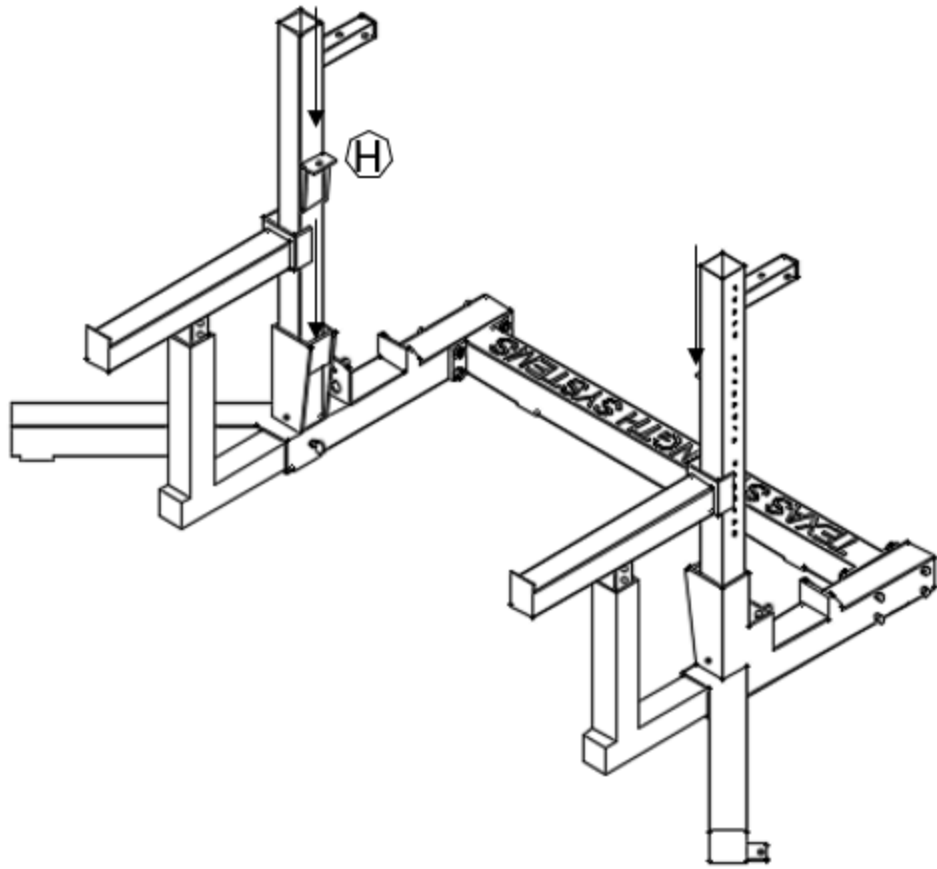


Image 6

Place part H on the desired side of part C as seen in image 6.

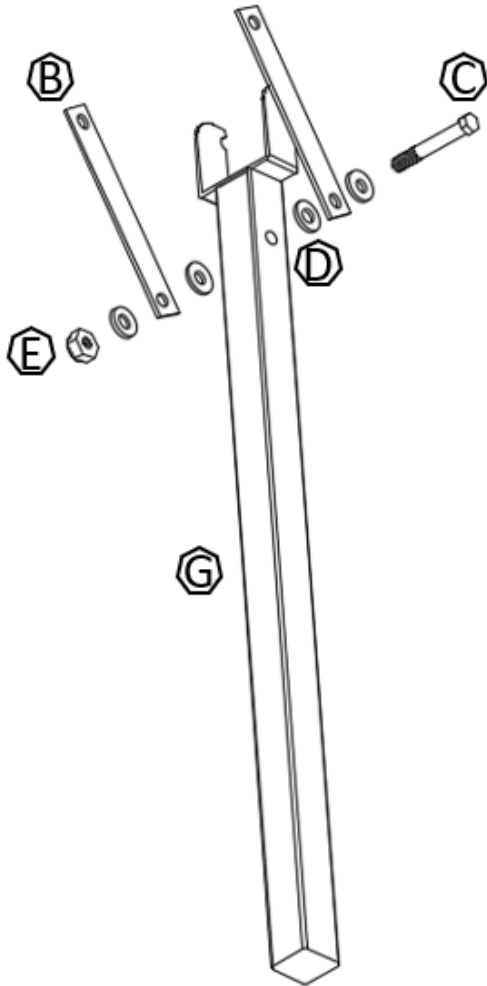


Image 7

Using parts I, L, M, O, and G assemble as seen in image 7. Repeat this step for the second component G.

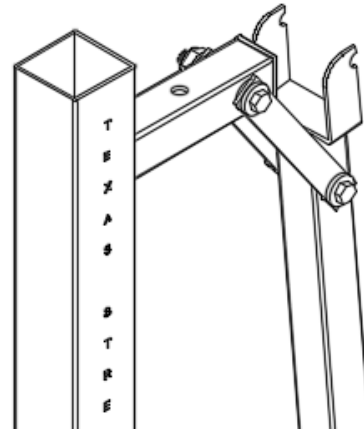


Image 8

Using the previous assembly, attach part I to C as seen in image 8. Repeat this for the second component C.

****Please note that there is a left and right for part G and the side of part G that has a larger cut out should be facing the inside of the rack.****

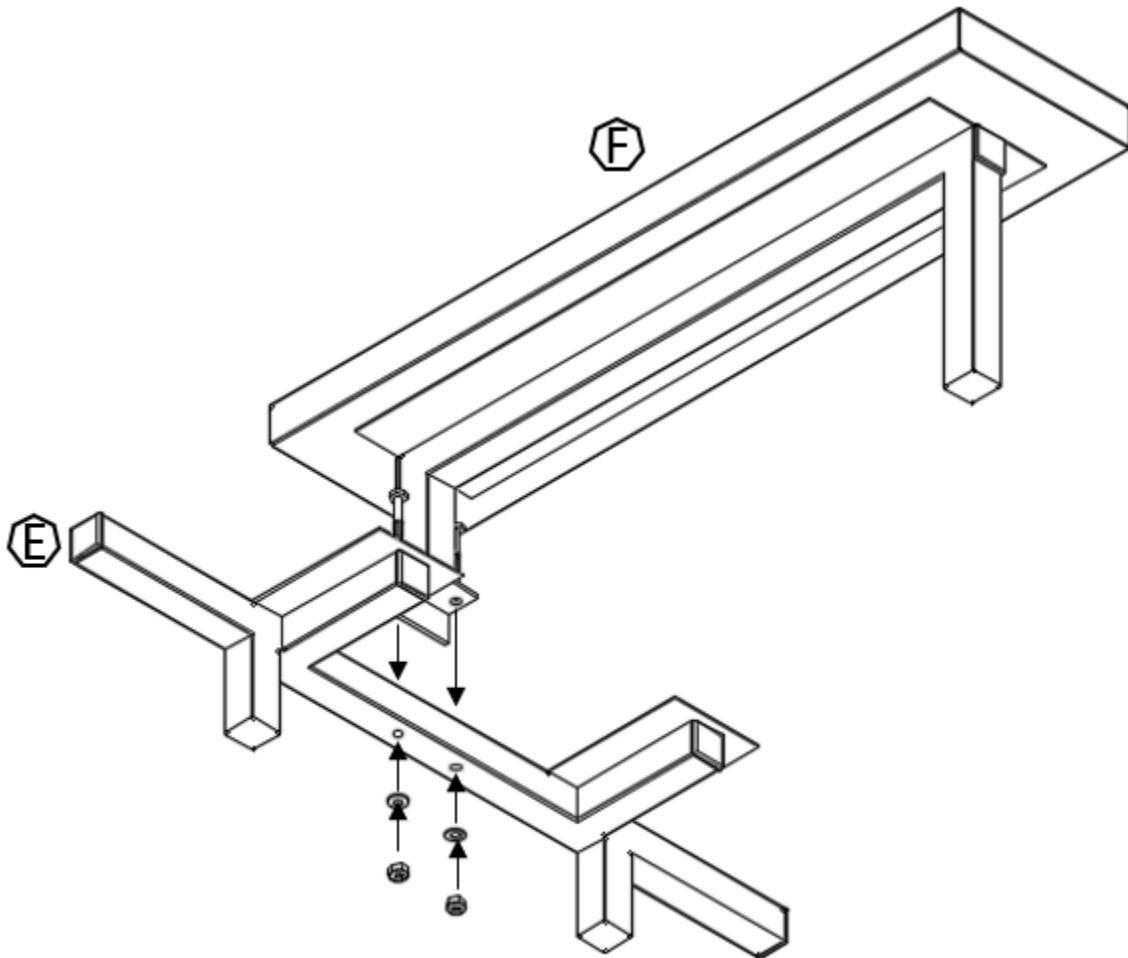


Image 9

Place parts E and F together with L, M, and O as seen in image 9.

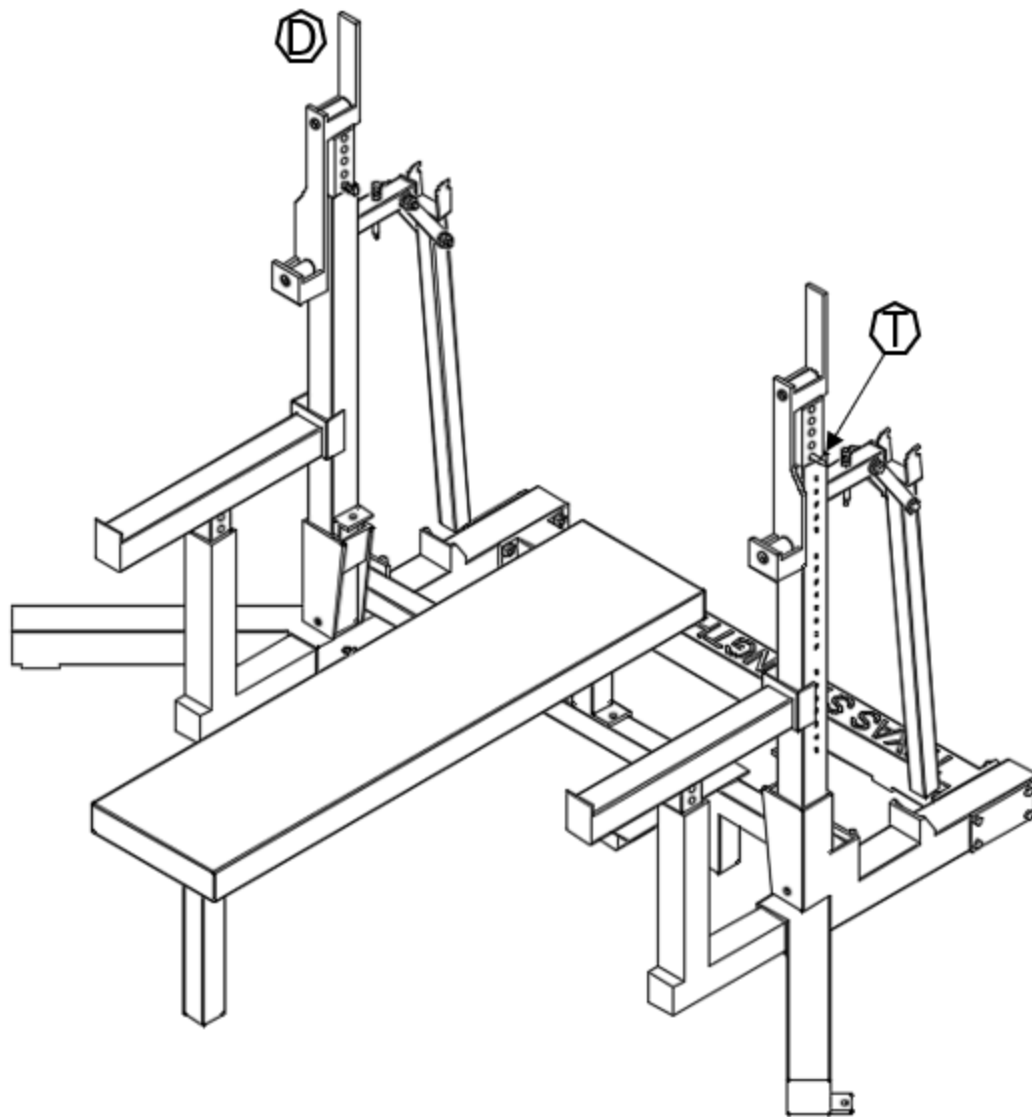
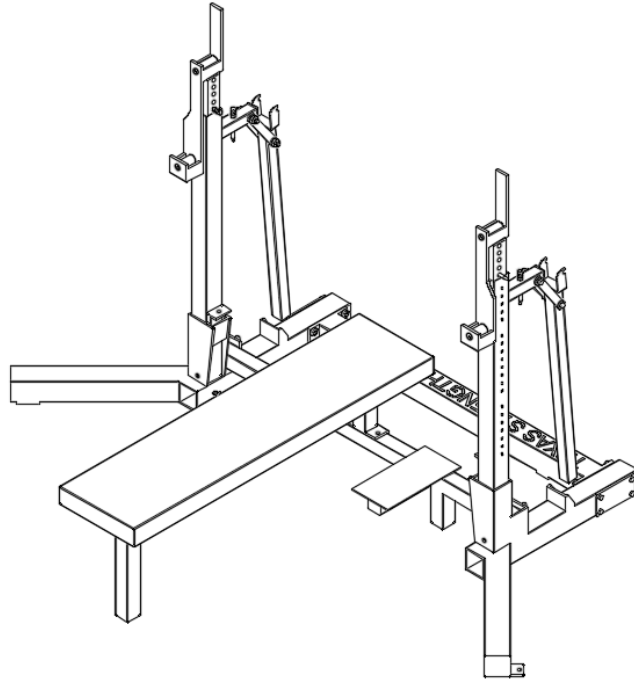
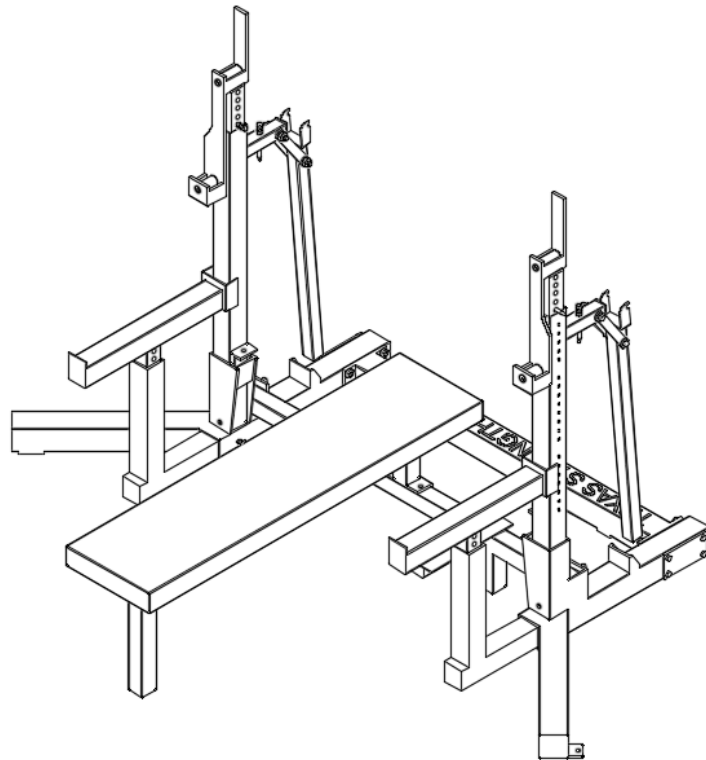


Image 10

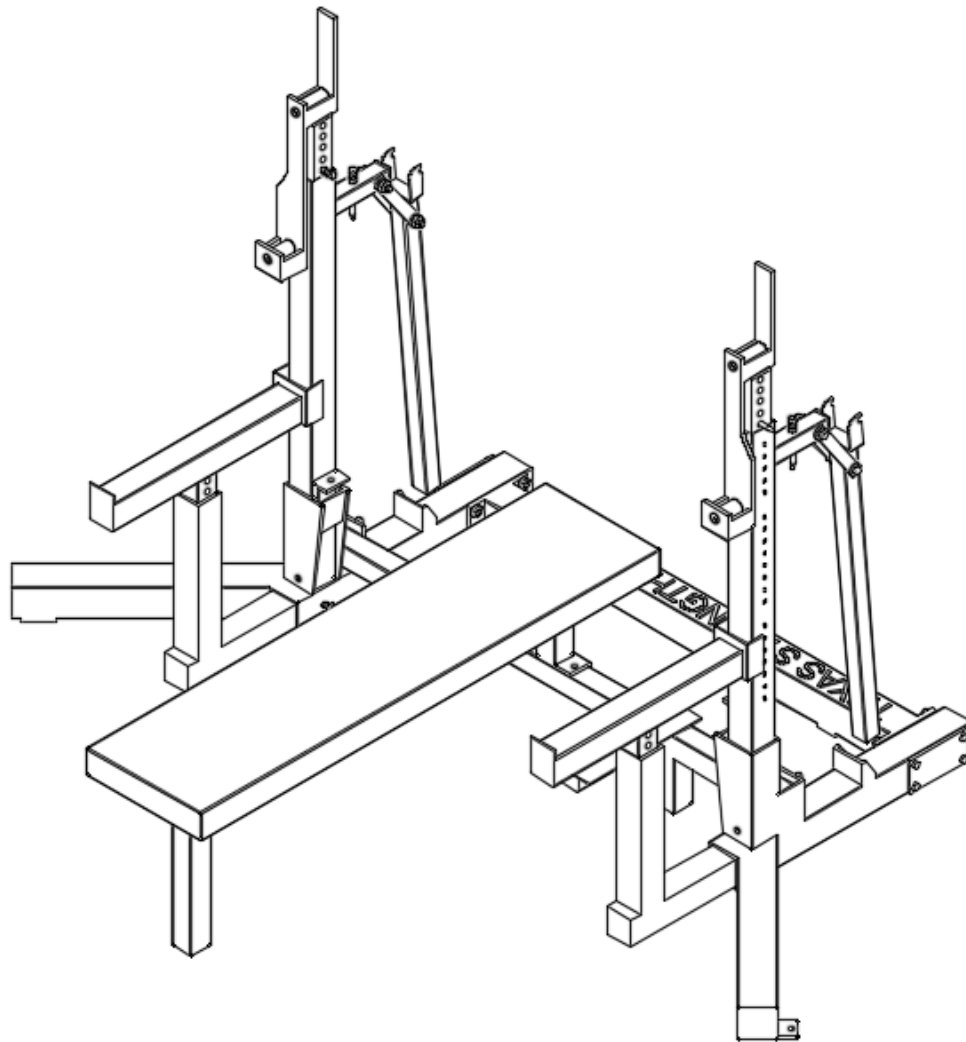
Place part D into C with the curved portion of part D on the same side as the TSS cut out. Place part T in desired locations as seen in image 10 above.



Completed Rack without Face Saver Upgrade



Completed Rack with Face Saver Upgrade



You have now completed assembling your very own Combo Rack!
Thank you for choosing Texas Strength Systems for your fitness needs. If you have any questions, comments, or concerns please don't hesitate to contact our staff.

Contact Information

Email: wesz@texasstrengthsystems.com

Phone: (210) 233-6110, (210)-920-4877