



# COOP SECURE®

## AUTOMATIC POULTRY DOOR OPENER

### INSTRUCTION MANUAL



Thank you for supporting a small Australian business! Please don't hesitate to contact us, via our website, if you have any questions. This document and install videos can also be found online at [www.coopsecure.com.au](http://www.coopsecure.com.au)

- ⊗ Do not install the batteries until the unit has been mounted and your door attached to the string.
- ⊗ Please weigh your door. It must be 400g - 1.4Kg. Just because it works does not mean it is 400g. The minimum weight is important for the units correct function over a long period of time.
- ⊗ Ensure your door slides freely up and down its tracks. Wooden doors can warp over time and catch.

At sunrise the unit will raise by winding up the string until it goes tight. Additionally, a second adjustment for delayed morning opening can be made from no delay up to 12 hours after sunrise. At night time it will lower your door by unwinding the string until it is slack. The sensitivity for this can be adjusted to allow for closing in semi-darkness as opposed to complete darkness. This is a fine-tuning adjustment only.



#### WEIGHT OF COMMON MATERIALS: (for example a 240x300mm door)

- 3mm Aluminium: 0.6kg
- 2mm Steel: 1.2kg
- 12mm Plywood: 0.55kg (can warp and jam over time)

#### INSTALLATION

1. Unscrew 4 **plastic screws** (We recommend you use a flat blade screwdriver) and remove front cover. Mount the unit with the 4 **metal screws** supplied in those same 4 outer holes. The unit must be installed on the outside of your coop and directly centred above your door.
2. Holding the door in its fully raised position, tie door to swivel.
3. Install the batteries and reinstall the cover with **plastic screws** (BEING CAREFUL NOT TO STRIP PLASTIC SCREW HEADS).
4. Check that the door closes at your desired darkness level (after your birds have gone back to the coop for the night). Adjust the 'door close light' level if required.

#### ADJUSTMENT DIALS: be careful not to over-turn and break these:

Adjust gently using a screwdriver...

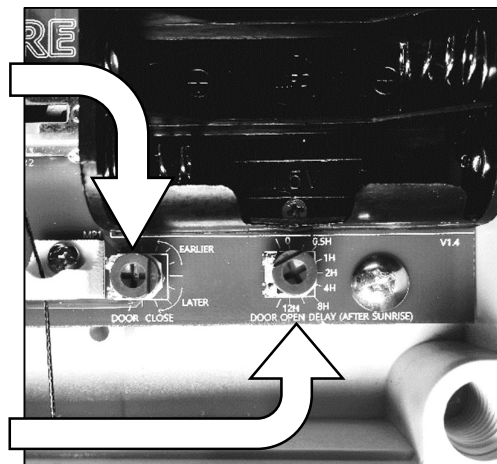
#### DOOR LIGHT LEVEL ADJUSTMENT (LEFT BLUE DIAL)

The light level required to open and close the door can be adjusted. The flat side of the blue screw indicates the light sensitivity. It is initially adjusted to half way (3 o'clock): appropriate for most situations. (Earliest setting looks like 11 o'clock and the latest 7 o'clock).

- CLOSE LATER: turn clockwise
- CLOSE EARLIER: turn anti-clockwise

#### DOOR OPEN DELAY - after sunrise (RIGHT BLUE DIAL)

All units are set to 0hrs delay, which means your unit will open at sunrise. If you want to delay the opening time in the morning simply turn the dial clockwise and the flat edge of the dial will roughly indicate how many hours later – up to a maximum of 12hrs delay.



<b>TROUBLESHOOTING</b>	
RED LIGHT (1 flash)	<ul style="list-style-type: none"> <li>The battery voltage is getting low. Replace the batteries.</li> </ul>
RED LIGHT (2 flashes)	<ul style="list-style-type: none"> <li>The motor ran for longer than 90 seconds without the string going tight on raise or slack on lower. The most common cause of this would be a broken string. The door opener will not start again until the batteries are removed and reinstalled.</li> <li>String tangled on spool. Unwind all string and then follow string replacement guide.</li> </ul>
Door stops part way	<ul style="list-style-type: none"> <li>Check that the door isn't getting stuck and can slide freely.</li> <li>Check that the door weight is between 0.35kg and 1.4kg.</li> <li>Check that string is centred on door and is pulling the door directly up.</li> </ul>
Door doesn't move at all	<ul style="list-style-type: none"> <li>Check batteries are not flat.</li> <li>Check batteries are installed in the correct direction.</li> <li>Check that the light level adjustment knob isn't adjusted too high or too low.</li> <li>Check that the door weight is between 0.4Kg and 1.4Kg.</li> <li>Check that the door isn't getting stuck and can slide freely.</li> <li>Check open delay adjustment (if not raising at sunrise).</li> <li>If testing the unit during daylight it is difficult to block enough light to activate the door.</li> </ul>
Door opens/closes too early or late	<ul style="list-style-type: none"> <li>Adjust the light level required to open/close the door (see Door Light Level Adjustment).</li> </ul>
Poor battery life	<ul style="list-style-type: none"> <li>Make sure that the door opener isn't being triggered excessively over night by sensor lights or vehicle head lights.</li> <li>Only use high quality alkaline batteries.</li> <li>Always replace all 4 batteries at the same time.</li> </ul>
String snapped and wound all the way up into the door opener	<ul style="list-style-type: none"> <li>Remove cover of unit and unwind approximately 20cm of string by flicking the loose end around the winch drum, use a toothpick, pin or tweezers to help.</li> <li>Re-thread the string within the unit (see guide below). Replace string if in poor condition or too short.</li> </ul>

### STRING REPLACEMENT (Instructional video available on YouTube.)

String is available for purchase on our website.

- Use the full 85cm length of Dyneema braid
- Tie one knot in one end of string and trim excess close to knot.
- Thread the un-knotted end through hole (1) in the side of winch drum (tweezers may help).
- Thread the string through the next 4 guide holes (2,3,4,5).
- Gently pull all string out through guide hole 5 until the initial knot that you tied is snug against winch drum hole (1).
- Now tie the swivel to the loose end of your string (we use a Palomar knot).
- Keeping slight tension on string, install all batteries and allow mechanism to wind string all the way back into the unit.
- Once this is done, remove batteries.

*Well-done! You are now ready to reattach the swivel to your door!*

### UNWINDING THE STRING (if required)

- Install the batteries.
- Then all at once, block ALL light to sensor, push the tension sensor (3) to the middle and do this for 5+ seconds until the mechanism is activated; simulating darkness can be difficult as the light detector is very sensitive to any light.
- Remove batteries to stop the string from unwinding.

### TECHNICAL DATA

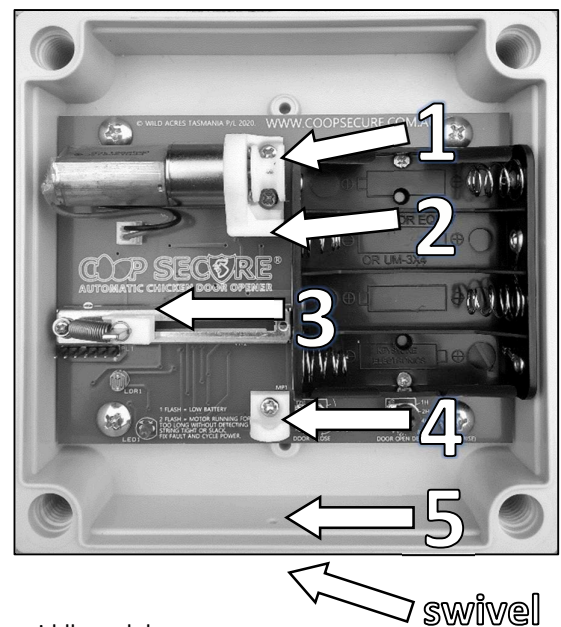
**Operating Voltage:** 6V (4x 1.5V): Raise/lower speed: 2cm/sec

**Batteries:** 4x AA alkaline batteries

**Battery life:** 3 Years (based on one open and close per day).

**String:** Dyneema braid, 8 strand, 80lb/36kg, 0.5mm

**String length** 85cm overall, max door travel distance 60cm



### WARRANTY

**Each unit comes with a 2-year warranty** which will cover it in nearly all circumstances. It will not cover a customer if they have disassembled or damaged the unit by not following the manual; e.g. drilling new holes in the housing or removing the red circuit board.