

The features of the **Safety Cap**

Used with Reo bar 12-32mm and Star-posts or waratahs the cap is available in high visibility orange and yellow. The cap features holes to allow tie on to star-post with internal flaps that hold on to deformed or straight steel ends.

Steel reinforcing bars, or rebar, are a common hazard on construction sites. The thin steel bars can stick out from construction projects and pose a hazard to workers who can cut or scratch themselves on the sharp ends. Workers that stumble or fall onto the exposed steel bars can be pierced or impaled on them, resulting in serious internal injuries and death.

Designed with smooth rounded cap the Castle Safety Cap minimises damage or impalement injury in workplace accidents.



Code: SCY

Description: Orange safety Cap, suits reo bar & waratah.

Bag Qty: 100

Box Qty: 5000



Code: SCO

Description: Orange safety Cap, suits reo bar & waratah.

Bag Qty: 100

Pallet Qty: 5000



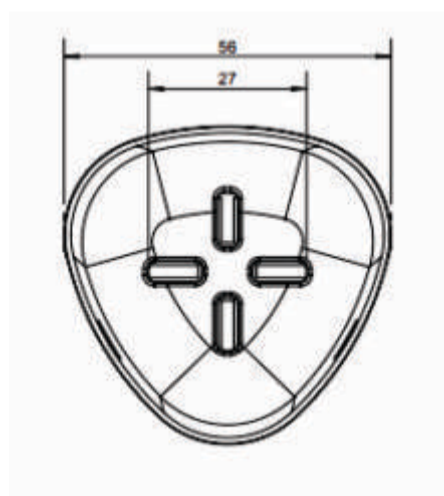
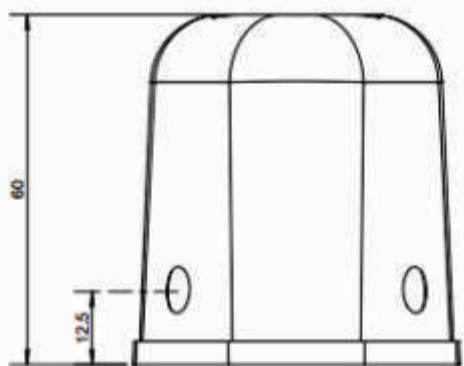
APPLICATIONS

- Reo Bar end protection
- Star-Post or waratah protection.

TECHNICAL CHARACTERISTICS

Meets (OSHA) – 344.90 Impalement protection specifications and testing criteria.
Batch tested meeting minimum requirements.

TECHNICAL DIMENSIONS



FEATURES AND BENIFITS

- Flexible acceptance of 12-32mm bar.
- Fixing holes
- Safe rounded top.

EVERYDAY APPLICATION

- Punch Cap onto Reo end for self-hold.
- Place on Star-Post and tie on.

