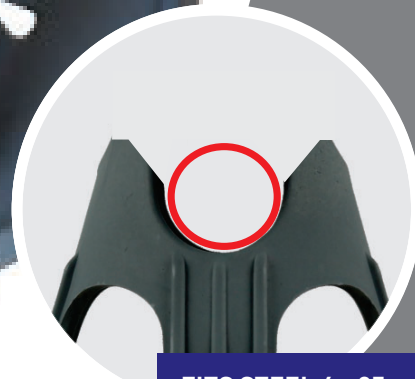


# GROUND BAR CHAIR GG25/40



FITS STEEL 6 - 25mm

*“What we like about Castle is they are always right there to help and have stock on hand”*

– John - Distributor

## The design specifics of our **GG25/40 Ground Bar Chair**.

This chair is designed with the user and highest construction standards in mind.

The GG25/40 is built to withstand high loading features include an extra wide base for better point load spread.

Largely superseded by the new G25/40 featuring the bar clip on features.

These chairs are batch tested and meet the AS/NZS 2425:2015 Standards for bar chairs in reinforced concrete.

### **Perfect For:**

Slab on ground applications, Trench bar supports,  
Driveways, Paths, Patios, Civil precast construction.

**PAGE 2**  
FOR MORE INFO



**0800 4255 3278**

[salesm@allfast.co.nz](mailto:salesm@allfast.co.nz)

[www.allfast.co.nz](http://www.allfast.co.nz)

## APPLICATIONS

- Slab on Ground, Rib-Raft & Pod.
- Patios, Paths, Driveways
- Trench bar supports
- Civil Precast construction

## FEATURES AND BENIFITS

- Fits mesh/bar sizes 6-25mm
- Heavy duty stable support.
- Wide base for soft surfaces such as poly pods.

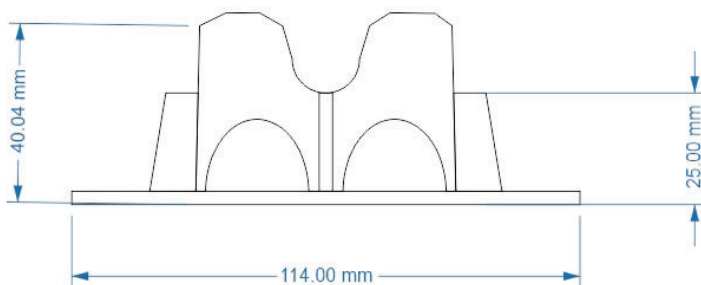
## TECHNICAL CHARACTERISTICS

Code	GG25/40
Cover (Bottom Base)	25mm and 40mm
Diameter	114
Colour	Multi - Colour
Bag Quantity	100 units
Bag Weight	2.20kg
Pallet Quantity	6000 units
Pallet Weight	132kg
Pallet Cubic Area (m <sup>3</sup> )	1.40m <sup>3</sup>

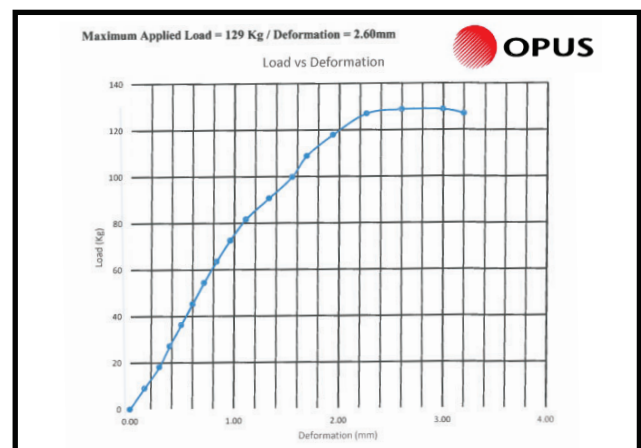
## EVERYDAY APPLICATION



## TECHNICAL DIMENSIONS



## TEST DATA



# GROUND BAR CHAIR G25/40



POSITIVE CLIP-ON



FITS STEEL 6 - 25mm

*“What we like about Castle is they are always right there to help and have stock on hand”*

– John - Distributor

## The design specifics of our **G25/40 Ground Bar Chair**.

This chair is designed with the user and highest construction standards in mind.

The G25/40 is built to withstand high loading features include the handy clip on function so you can clip on to the mesh upside down and give the mesh a shake and all the chairs swing into place.

These chairs are batch tested and meet the AS/NZS 2425:2015 Standards for bar chairs in reinforced concrete.

### **Perfect For:**

Slab on ground applications, Trench bar supports, Driveways, Paths, Patios, Civil precast construction.

**PAGE 2**  
FOR MORE INFO



**0800 4255 3278**

saleshm@allfast.co.nz [www.allfast.co.nz](http://www.allfast.co.nz)

## APPLICATIONS

- Slab on Ground, Rib-Raft & Pod.
- Patios, Paths, Driveways
- Trench bar supports
- Civil Precast construction

## FEATURES AND BENIFITS

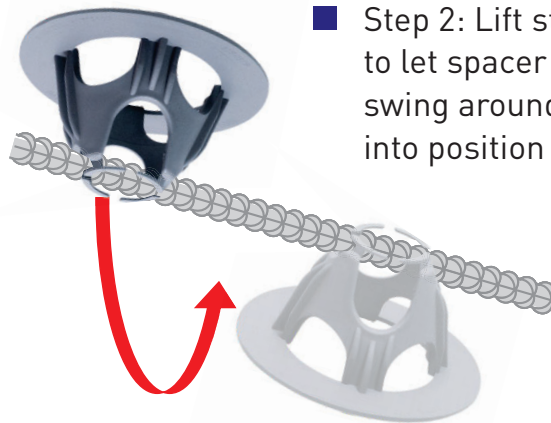
- Clip Style top
- Fits mesh/bar sizes 6-25mm
- Heavy duty stable support.
- Wide base for soft surfaces such as poly pods.

## TECHNICAL CHARACTERISTICS

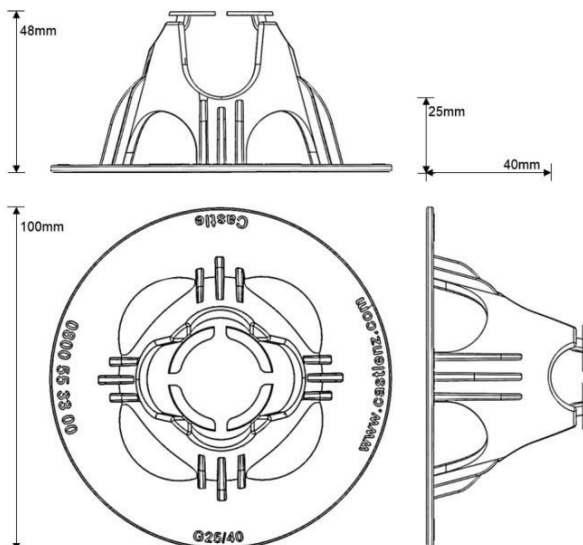
Code	G25/40
Cover (Bottom Base)	25mm and 40mm
Diameter	100
Colour	Multi - Colour
Bag Quantity	100 units
Bag Weight	1.70kg
Pallet Quantity	9000 units
Pallet Weight	153kg
Pallet Cubic Area (m <sup>3</sup> )	1.40m <sup>3</sup>

## EVERYDAY APPLICATION

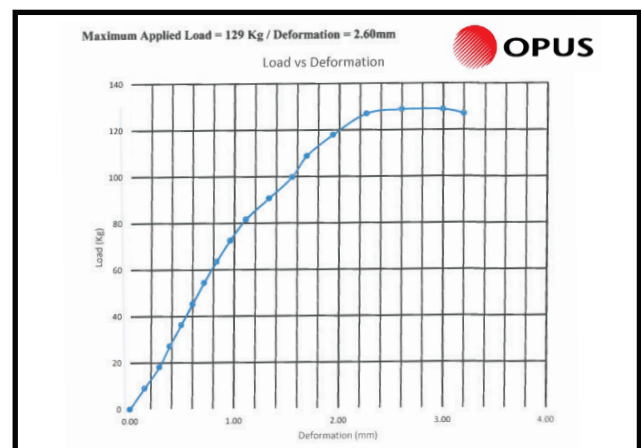
- Step 1: Clip Spacer to Mesh / Bar
- Step 2: Lift steel to let spacer swing around into position



## TECHNICAL DIMENSIONS



## TEST DATA



# GROUND BAR CHAIR G50/65



POSITIVE CLIP-ON



FITS STEEL 6 - 25mm

*“What we like about Castle is they are always right there to help and have stock on hand”*

– John - Distributor

## The design specifics of our **G50/65 Ground Bar Chair**.

This chair is designed with the user and highest construction standards in mind.

The G50/65 is built to withstand high loading and features include the handy clip on function so you can clip on to the mesh upside down and give the mesh a shake and all the chairs swing into place.

These chairs are batch tested and meet the AS/NZS 2425:2015 Standards for bar chairs in reinforced concrete.

### Perfect For:

Slab on ground applications, Trench bar supports, Driveways, Paths, Patios, Civil precast construction.

**PAGE 2**  
FOR MORE INFO



**0800 4255 3278**

[sales@m.allfast.co.nz](mailto:sales@m.allfast.co.nz)

[www.allfast.co.nz](http://www.allfast.co.nz)

## APPLICATIONS

- Slab on Ground
- Patios, Paths, Driveways
- Trench bar supports
- Civil Precast construction

## FEATURES AND BENIFITS

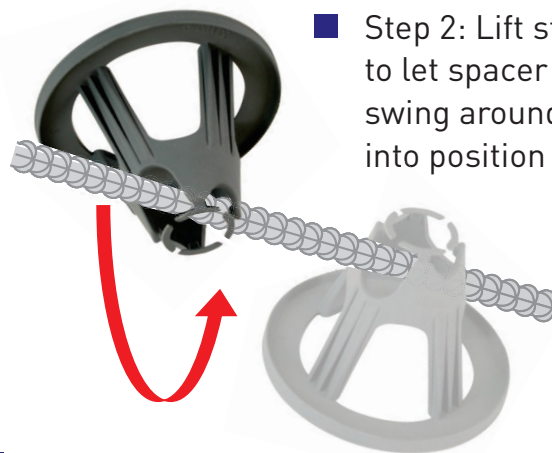
- Clip Style top
- Fits mesh/bar sizes 6-25mm
- Heavy duty stable support.

## TECHNICAL CHARACTERISTICS

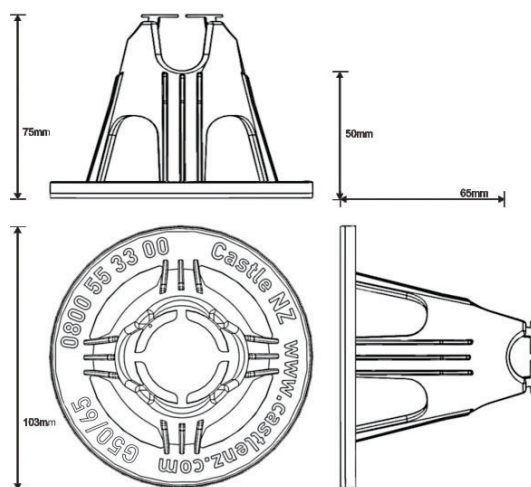
Code	G50/65
Cover	50&65mm
Diameter	100mm
Colour	Multi
Bag Quantity	100 units
Bag Weight	3.4kg
Pallet Quantity	6000 units
Pallet Weight	240kg
Pallet Cubic Area (m <sup>3</sup> )	1.4m

## EVERYDAY APPLICATION

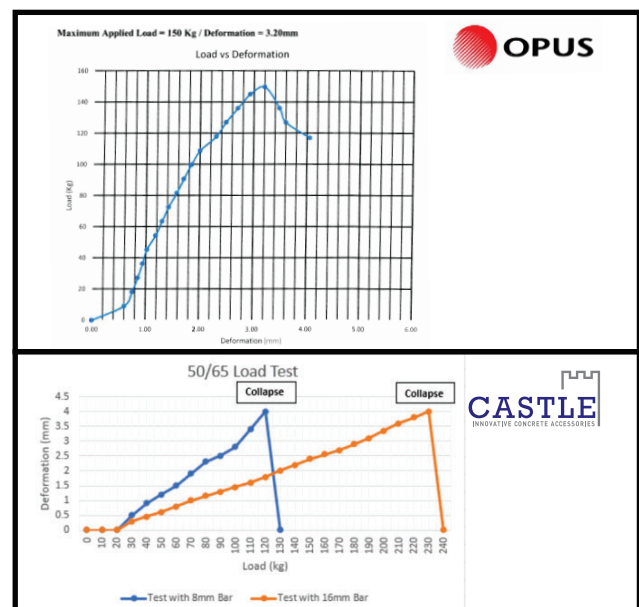
- Step 1: Clip Spacer to Mesh / Bar
- Step 2: Lift steel to let spacer swing around into position



## TECHNICAL DIMENSIONS



## TEST DATA



# GROUND BAR CHAIR G75/90



POSITIVE CLIP-ON



FITS STEEL 6 - 25mm

*“What we like about Castle is they are always right there to help and have stock on hand”*

– John - Distributor

## The design specifics of our **G75/90 Ground Bar Chair**.

This chair is designed with the user and highest construction standards in mind.

The G75/90 is built to withstand high loading features include the handy clip on function so you can clip on to the mesh upside down and give the mesh a shake and all the chairs swing into place.

These chairs are batch tested and meet the AS/NZS 2425:2015 Standards for bar chairs in reinforced concrete.

### Perfect For:

Slab on ground applications, Trench bar supports, Driveways, Paths, Patios, Civil precast construction.

**PAGE 2**  
FOR MORE INFO



**0800 4255 3278**

saleshm@allfast.co.nz [www.allfast.co.nz](http://www.allfast.co.nz)

## APPLICATIONS

- 150mm Slab on Ground
- Patios, Paths, Driveways
- Trench bar supports
- Civil Precast construction

## FEATURES AND BENIFITS

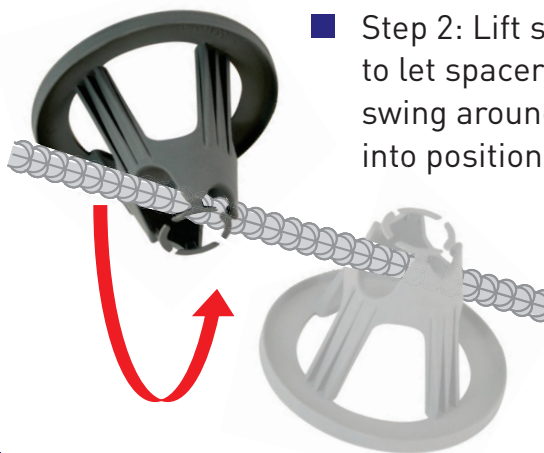
- Clip Style top
- Fits mesh/bar sizes 6-25mm
- Heavy duty stable support.

## TECHNICAL CHARACTERISTICS

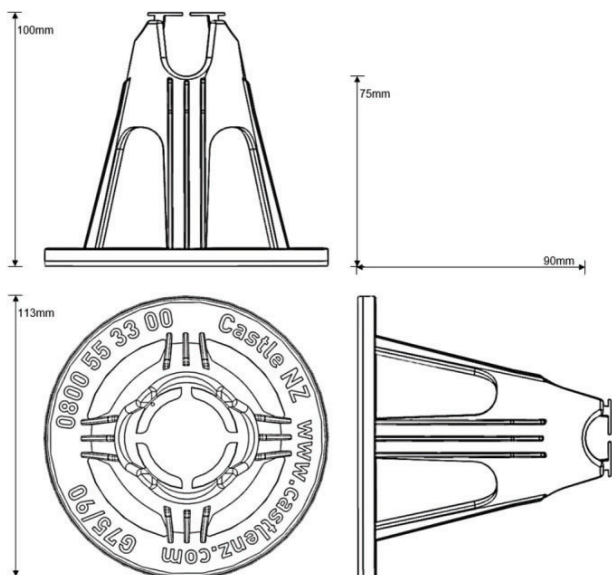
Code	G75/90
Cover	75 & 90mm
Diameter	100mm
Colour	Multi
Bag Quantity	100 units
Bag Weight	4.3kg
Pallet Quantity	6000 units
Pallet Weight	290kg
Pallet Cubic Area (m <sup>3</sup> )	1.50m <sup>3</sup>

## EVERYDAY APPLICATION

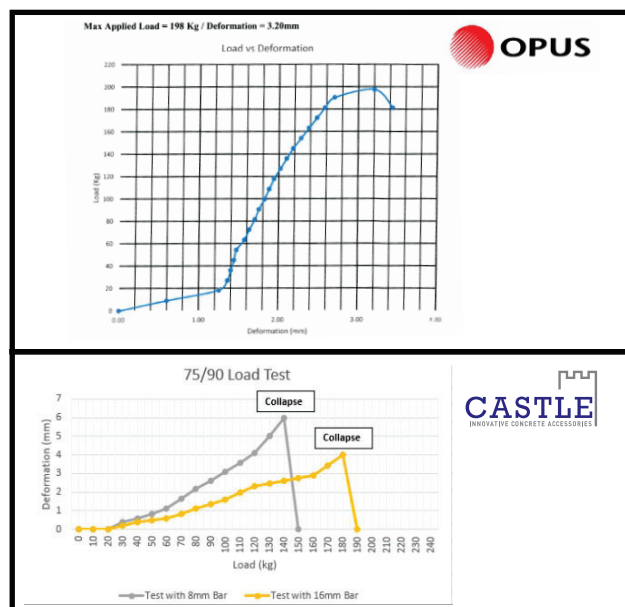
- Step 1: Clip Spacer to Mesh / Bar
- Step 2: Lift steel to let spacer swing around into position



## TECHNICAL DIMENSIONS



## TEST DATA

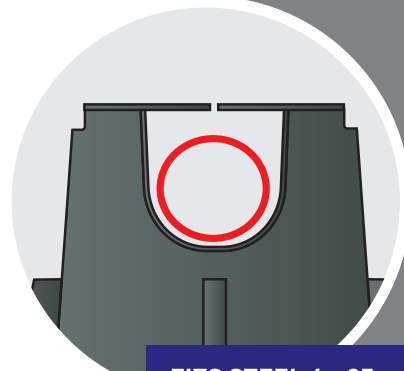




# GROUND BAR CHAIR G85/100HD



POSITIVE CLIP-ON



FITS STEEL 6 - 25mm

*“What we like about Castle is they are always right there to help and have stock on hand”*

– John - Distributor

## The design specifics of our **G85/100HD Ground Bar Chair**.

This chair is designed with the user and highest construction standards in mind, built to withstand high loading and features include the handy clip on function so you can clip on to the mesh upside down and give the mesh a shake and all the chairs swing into place. Also can be double stacked for 135 and 150mm cover. These chairs are batch tested and meet the AS/NZS 2425:2015 Standards for bar chairs in reinforced concrete.

### Perfect For:

Slab on ground applications, Trench bar supports, Driveways, Paths, Patios, Civil precast construction.

**PAGE 2**  
FOR MORE INFO



**0800 4255 3278**

saleshm@allfast.co.nz [www.allfast.co.nz](http://www.allfast.co.nz)

## APPLICATIONS

- Slab on Ground
- Patios, Paths, Driveways
- Trench bar supports
- Civil Precast construction
- Double layer mesh / bar

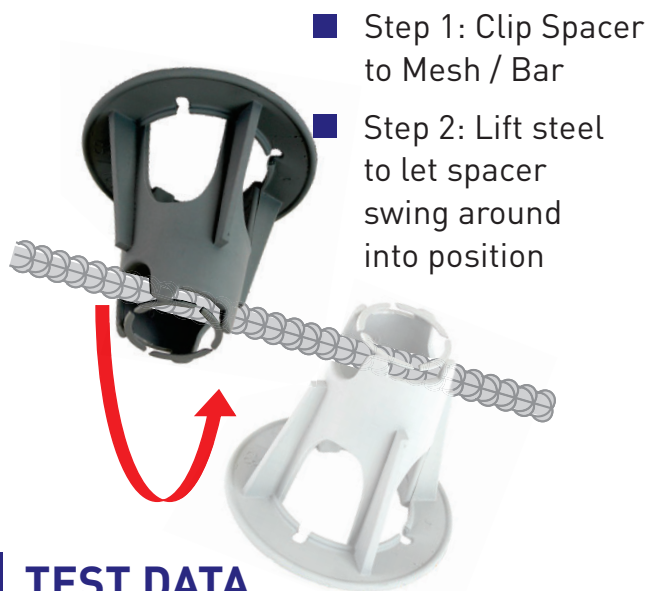
## FEATURES AND BENIFITS

- Clip Style top
- Fits mesh/bar sizes 6-25mm
- Heavy duty stable support rated to 372kg
- Double stack to achieve 135/150mm

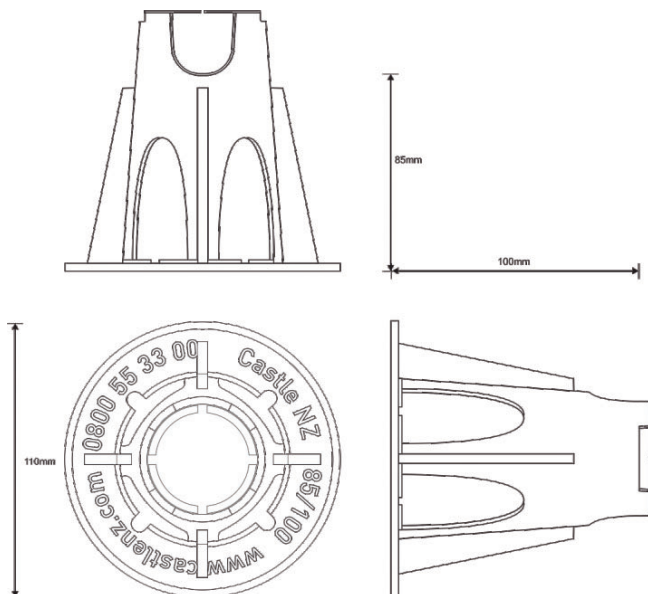
## TECHNICAL CHARACTERISTICS

Code	G85/100HD
Cover	85 & 100mm
Diameter	100mm
Colour	Multi
Bag Quantity	50 units
Bag Weight	2.6kg
Pallet Quantity	2,000 units
Pallet Weight	120kg
Pallet Cubic Area (m <sup>3</sup> )	1.40m <sup>3</sup>

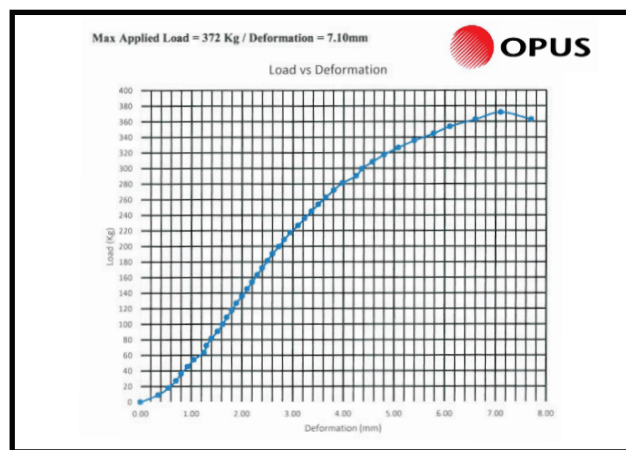
## EVERYDAY APPLICATION



## TECHNICAL DIMENSIONS



## TEST DATA



## APPLICATIONS

- Slab on Ground
- Patios, Paths, Driveways
- Trench bar supports
- Civil Precast construction
- Double layer mesh / bar

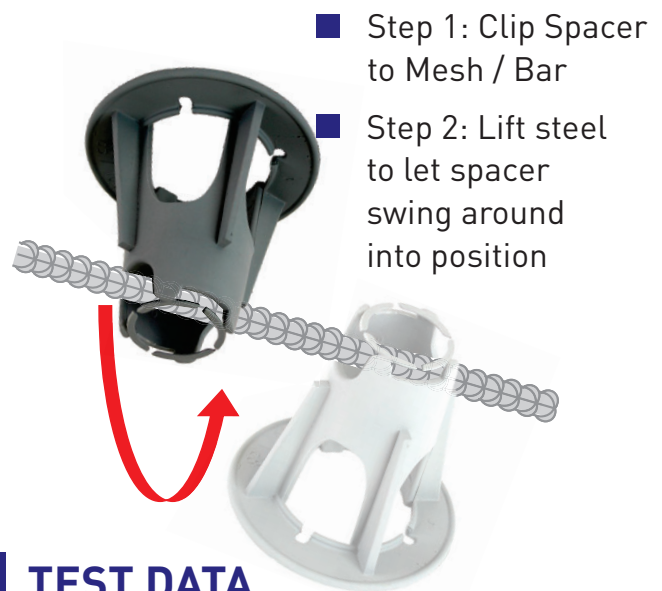
## FEATURES AND BENIFITS

- Clip Style top
- Fits mesh/bar sizes 6-25mm
- Heavy duty stable support rated to 372kg
- Double stack to achieve 135/150mm

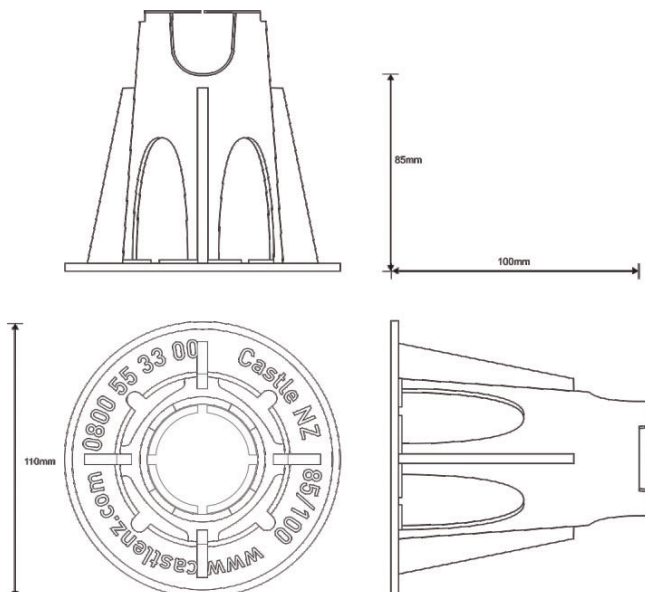
## TECHNICAL CHARACTERISTICS

Code	G85/100HD
Cover	85 & 100mm
Diameter	100mm
Colour	Multi
Bag Quantity	50 units
Bag Weight	2.6kg
Pallet Quantity	2,000 units
Pallet Weight	120kg
Pallet Cubic Area (m <sup>3</sup> )	1.40m <sup>3</sup>
Material	RPET

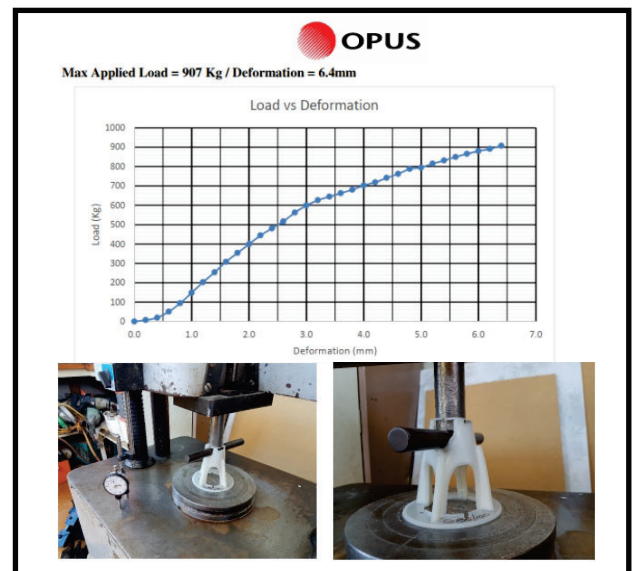
## EVERYDAY APPLICATION



## TECHNICAL DIMENSIONS



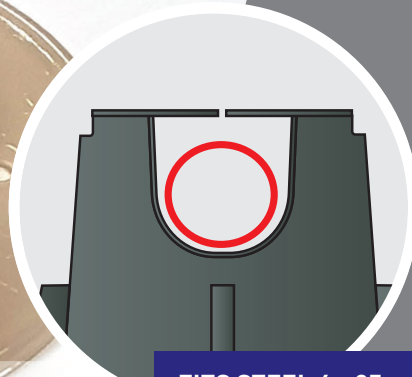
## TEST DATA



# GROUND BAR CHAIR G85/100



POSITIVE CLIP-ON



FITS STEEL 6 - 25mm

*“What we like about Castle is they are always right there to help and have stock on hand”*

– John - Distributor

## The design specifics of our **G85/100 Ground Bar Chair**.

This chair is designed with the user and highest construction standards in mind, built to withstand high loading and features include the handy clip on function so you can clip on to the mesh upside down and give the mesh a shake and all the chairs swing into place. Also can be double stacked for 135 and 150mm cover. These chairs are batch tested and meet the AS/NZS 2425:2015 Standards for bar chairs in reinforced concrete.

### Perfect For:

Slab on ground applications, Trench bar supports, Driveways, Paths, Patios, Civil precast construction.

**PAGE 2**  
FOR MORE INFO



**0800 4255 3278**

saleshm@allfast.co.nz [www.allfast.co.nz](http://www.allfast.co.nz)

# GROUND BAR CHAIR

## G85/100 - GEN#2



POSITIVE CLIP-ON



FITS STEEL 6 - 25mm

*“What we like about Castle is they are always right there to help and have stock on hand”*

– John - Distributor

## The design specifics of our **G85/100 Ground Bar Chair**.

This is a generation #2 Castle Barchair adopting some of the new stacking and stabilizing features unique to Castle NZ. The Gen #2 85/100 is designed with the user and highest construction standards in mind, built to withstand high loading and features include the Castle handy clip on function so you can clip on to the mesh upside down and give the mesh a shake and all the chairs swing into place. Also can be stacked using the Pc5060 to achieve 115, 125, 135 and 145mm covers. See demonstration on reverse.

These chairs are batch tested and meet the AS/NZS 2425:2015 Standards for bar chairs in reinforced concrete.

### Perfect For:

Slab on ground applications, Trench bar supports, Driveways, Paths, Patios, Civil precast construction.

**PAGE 2**  
FOR MORE INFO



**0800 4255 3278**

saleshm@allfast.co.nz [www.allfast.co.nz](http://www.allfast.co.nz)

## APPLICATIONS

- Slab on Ground
- Patios, Paths, Driveways
- Trench bar supports
- Civil Precast construction
- Double layer mesh / bar

## FEATURES AND BENIFITS

- Clip Style top
- Fits mesh/bar sizes 6-25mm
- Stable support rated to 180kg
- Multi stackable to achieve cover.

## TECHNICAL CHARACTERISTICS

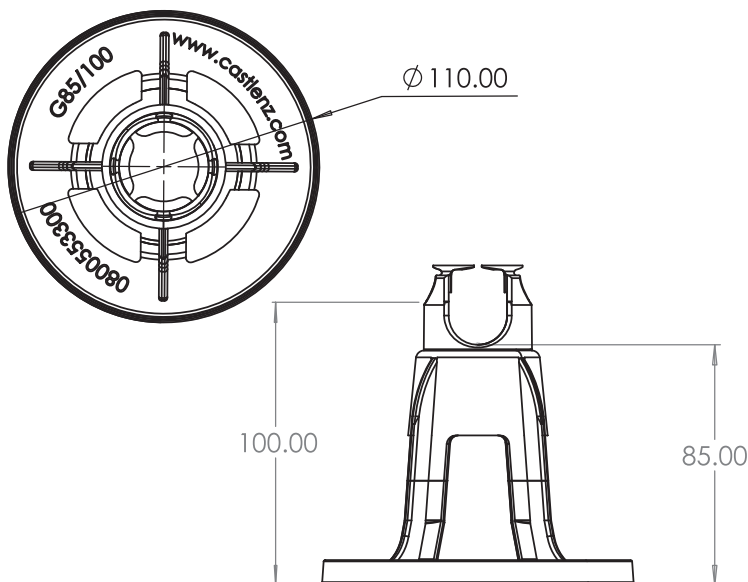
Code	G85/100
Cover	85 & 100mm
Load Rating	>160kg
Diameter	110mm
Colour	Multi
Bag Quantity	50 units
Bag Weight	2.4kg
Pallet Quantity	2,000 units
Pallet Weight	112kg
Pallet Cubic Area (m <sup>3</sup> )	1.40m <sup>3</sup>
Material	Polypropylene (PP)

## EVERYDAY APPLICATION

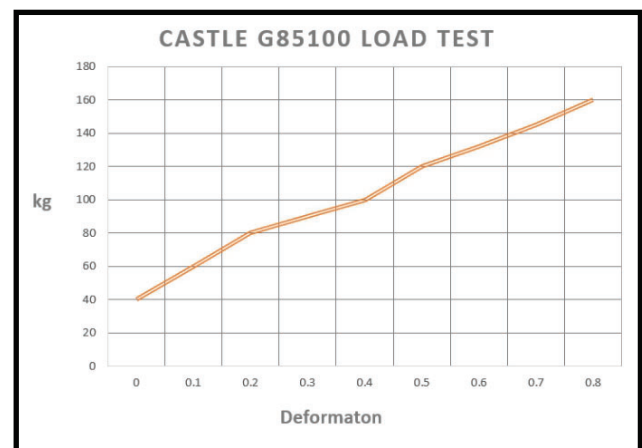
- Stack with Castle PC50/60 to achieve 115/125mm



## TECHNICAL DIMENSIONS



## TEST DATA



# GROUND BAR CHAIR BSOG



*“The Castle BSOG is incredibly strong,  
perfect for our commercial applications”*  
– Auckland Installer

## The design specifics of our **BSOG Big Slab on Ground Chair.**

Castle NZ Big Slab on Ground (BSOG) chairs manufactured in NZ. These are suitable for deep ground slabs in roads, civil and commercial projects. They can be a suitable substitute for metal chairs as they are very strong but lightweight and rust free. Featuring a wide base which provides strength and stability to the product, at the same time it helps when placing separate bases.

The chairs have been designed to support layered mesh or bar up to 25mm diameter and are load tested to exceed 300kg, available in 100 and 120mm heights.

These chairs are batch tested and meet the AS/NZS 2425:2015 Standards for bar chairs in reinforced concrete.

### **Perfect For:**

Slab on ground applications, Commercial floors,  
Double layer mesh floors, Civil precast construction.

**PAGE 2**  
FOR MORE INFO



**0800 4255 3278**

[sales@m.allfast.co.nz](mailto:sales@m.allfast.co.nz) [www.allfast.co.nz](http://www.allfast.co.nz)

## APPLICATIONS

- Slab on Ground
- Commercial Slabs
- Commercial & Civil construction
- Double layer mesh / bar

## FEATURES AND BENIFITS

- Clip Style top
- Fits mesh/bar sizes 6-25mm
- Stable support rated to 300kg
- New Zealand Made
- From 100% recycled plastics

## TECHNICAL CHARACTERISTICS

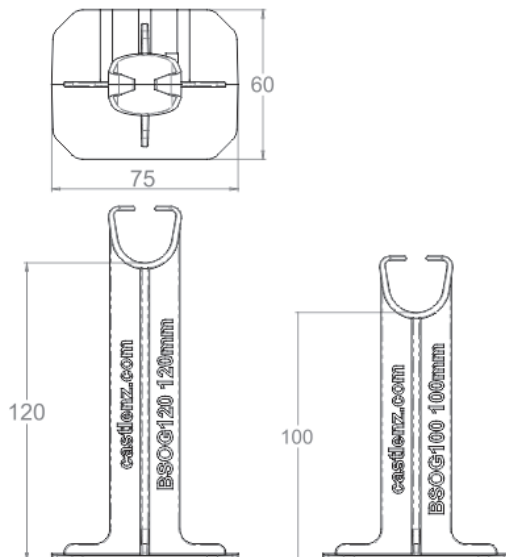
Code	BSOG100 & BSO120
Cover	100mm & 120mm
Load Rating	300kg
Diameter	75mm
Colour	Recycled Varies
Bag Quantity	100 units
Pallet Quantity	3,000 units
Pallet Weight	137kg & 146kg
Pallet Cubic Area (m <sup>3</sup> )	1.32m <sup>3</sup>
Test Standard	AS/NZS 2425:2015
H2S Resistance	A1 - Excellent*
Material	HIPS or RPET

\*Chemical Effect; Excellent. Satisfactory to 72°F (22°C)

## EVERYDAY APPLICATION



## TECHNICAL DIMENSIONS



## TEST DATA

