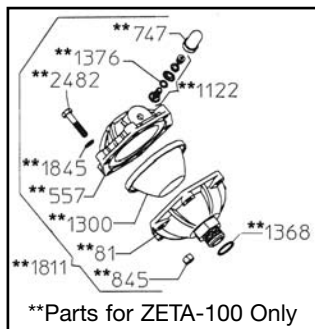




ZETA-85 & ZETA-100

Exploded View Diagram and Parts List



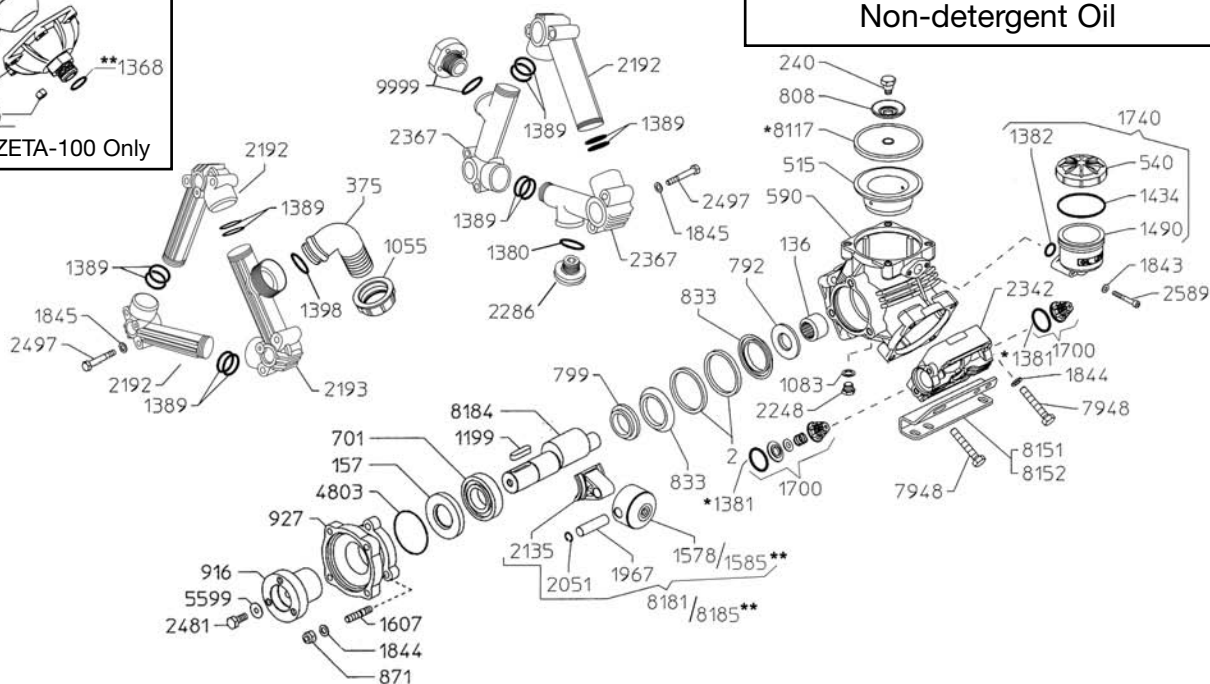
ZETA-85 & ZETA-100 PUMPS

Require **32 oz.**

UDOR LUBE,

or SAE 30W

Non-detergent Oil



REF#	PART#	DESCRIPTION	QTY	REF#	PART#	DESCRIPTION	QTY
2	02-0001.01	Retainer Ring	2	1490	02-1203.27	Oil Reservoir	1
**81	02-0003.15	Accumulator Bottom (ZETA-100)	1	1578	02-1205.18	Piston (ZETA-85)	3
136	02-0006.07	Bearing	1	**1585	02-1205.43	Piston (ZETA-100)	3
157	02-0007.05	Seal	1	1607	02-1206.22	Stud	3
240	02-0102.04	Diaphragm Bolt	3	1700	02-6006.36	Valve Assembly	6
375	02-0202.78	Suction Elbow	1	1740	02-6033.01	Oil Reservoir Assembly	1
515	02-0206.44	Piston Sleeve (ZETA-85)	3	**1811	02-6031.09	Accumulator Assembly (ZETA-100)	1
**516	02-0206.45	Piston Sleeve (ZETA-100)	3	1843	02-1403.07	Washer	2
540	02-0208.98	Oil Cap	1	1844	02-1403.09	Washer	12
**557	02-0208.20	Accumulator Cover (ZETA-100)	1	1845	02-1403.10	Washer	18
590	02-0209.76	Crankcase	1	1967	02-1502.07	Connecting Rod Pin	3
701	02-0214.05	Bearing	1	2051	02-1506.15	Snap Ring	6
**747	02-0218.01	Air Valve Cap (ZETA-100)	1	2135	02-1519.30	Connecting Rod	3
792	02-0301.12	Spacer	1	2192	02-1601.25	Manifold Tube	3
799	02-0301.24	Washer	1	2193	02-1601.26	Intake Manifold Tube	1
808	02-0301.43	Diaphragm Washer	3	2248	02-1603.67	Oil Plug	1
833	02-0302.52	Rod Spacer	2	2286	02-1603.87	Discharge Plug	1
**845	02-0303.01	Nut	6	2342	02-1604.94	Head	3
871	02-0304.04	Nut	3	2367	02-1605.28	Discharge Manifold Tube	2
916	02-0501.62	Crank Adapter	1	2481	02-1804.07	Bolt	1
927	02-0501.79	Adapter Flange	1	**2482	02-1804.09	Bolt	6
1055	02-0604.50	Barb Nut	1	2497	02-1804.10	Bolt	12
1083	02-0605.49	Plug Gasket	1	2589	02-1805.31	Bolt	2
**1122	02-0608.15	Air Valve Assembly	1	4803	02-1101.43	O-Ring	1
1199	02-0801.11	Key	1	5599	02-1403.02	Washer	1
**1300	02-0903.14	Accumulator Diaphragm (ZETA-100)	1	7948	02-1804.45	Bolt	12
1368	02-1101.04	O-Ring	1	*8117	02-0903.38	Piston Diaphragm (DESMOPAN)	3
**1376	02-1101.16	O-Ring	1	8151	02-1202.63	Mounting Rail - Right Side	1
1380	02-1101.25	O-Ring	1	8152	02-1202.64	Mounting Rail - Left Side	1
*1381	02-1101.27	O-Ring	6	8181	02-6015.49	Piston & Rod Assembly (ZETA-85)	3
1382	02-1101.29	O-Ring	1	8184	02-0002.C5	Crankshaft	1
1389	02-1101.41	O-Ring	12	**8185	02-6015.49	Piston & Rod Assembly (ZETA-100)	3
1398	02-1101.42	O-Ring	1	9999	02-0508.10	Regulator Adapter	1
1434	02-1101.D1	O-Ring	1				

* Parts Included in Diaphragm Repair Kit - #02-8700.60. ** Parts for ZETA-100 Only.



ZETA-85 & ZETA-100

Low Pressure Diaphragm Pumps

ZETA-85 and ZETA-100 low pressure, 3-cylinder diaphragm pumps are excellent for various horticultural and agricultural spraying applications.

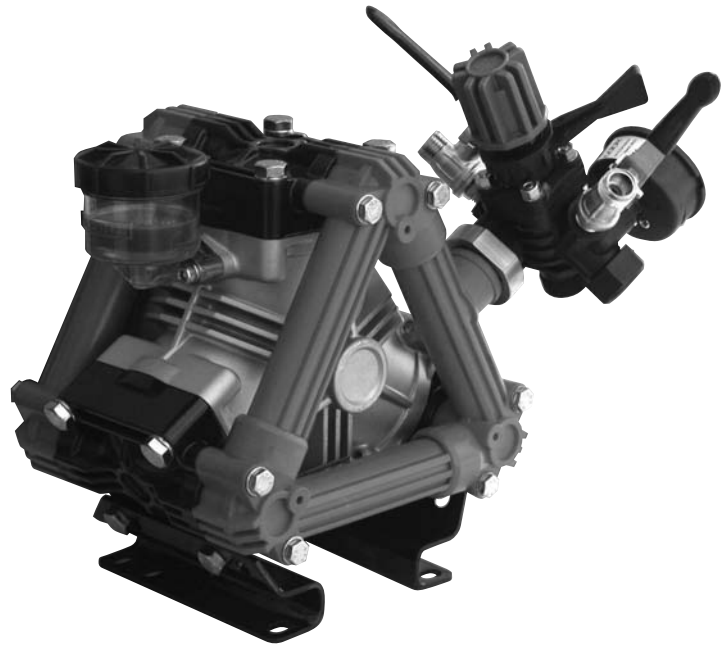
Simplicity of design and common parts allow easy and affordable maintenance. ZETA-100 includes pulsation damper.

ZETA-85 and ZETA-100 pumps have anodized aluminum bodies, stainless steel valves, plasticized aluminum heads and glassfilled nylon manifolds. A control valve and pressure gauge are standard on both models.

Drive options include:

- 5027.75 4-6.5 HP Gear Reduction
- 7751.A3 1" Solid Shaft
- 4155.01 Hydraulic Motor Adapter Kit
- 7752.A2 1-3/8" 6-Spline Female PTO Adapter and Bolt, Torque Arms, Chains and Safety Shield
- 7753.A6 1-3/8" Six Spline Male Shaft

For industrial uses and spraying applications not listed, please consult UDOR U.S.A.



SPECIFICATIONS

Maximum Flow	
ZETA-85	22 GPM
ZETA-100	26 GPM
Maximum Pressure	300 PSI
Maximum Pump Speed	540 RPM
Maximum Temperature	140° F
Ports	
Inlet	1-1/2" Hose Barb
Discharge	1/2" (2) Hose Barbs Ball Valve Controlled
Bypass	3/4" Hose Barb
Dimensions	L-10-1/2" x W-11" x H-12"
Weight	
ZETA-85	32 lbs.
ZETA-100	34 lbs.
Diaphragm Material	
Standard	DESMOPAN

NOTE - Protect pumps from freezing. If freezing conditions exist, flush pump and system with a 50/50 mixture of antifreeze and water.