

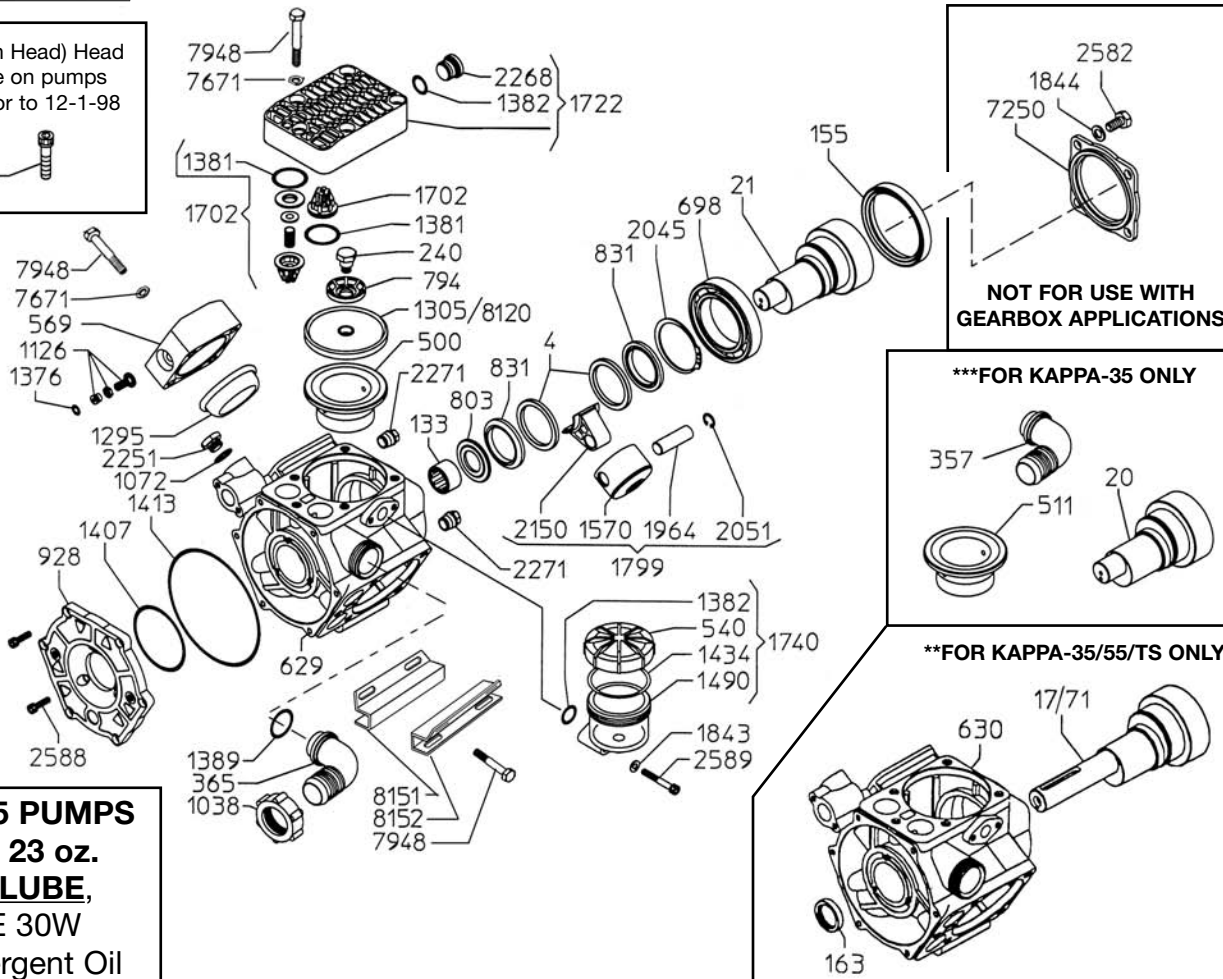


KAPPA-55

Exploded View Diagram and Parts List

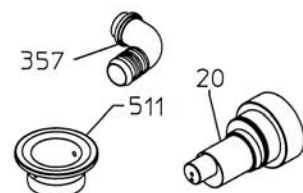
Old Style (Allen Head) Head Bolt. For use on pumps purchased prior to 12-1-98

2602

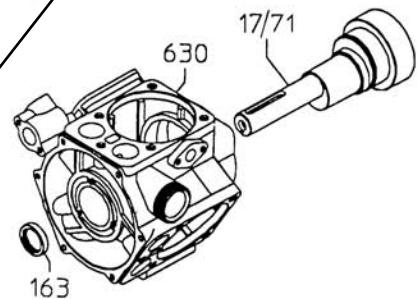


NOT FOR USE WITH GEARBOX APPLICATIONS

***FOR KAPPA-35 ONLY



**FOR KAPPA-35/55/TS ONLY



KAPPA-55 PUMPS

Require **23 oz.**

UDOR LUBE,
or SAE 30W

Non-detergent Oil

REF#	PART#	DESCRIPTION	QTY	REF#	PART#	DESCRIPTION	QTY
4	0001.06	Retaining Ring	2	1413	1101.87	O-Ring	1
**17	0002.72	Crankshaft (KAPPA-55/TS)	1	1434	1101.D1	O-Ring	1
***20	0002.70	Crankshaft (KAPPA-35)	1	1490	1203.27	Oil Reservoir	1
21	0002.71	Crankshaft (KAPPA-55)	1	1570	1205.07	Piston	3
**71	0002.A3	Crankshaft (KAPPA-35/TS)	1	1702	6006.01	Valve Assembly	6
133	0006.02	Bearing	1	1722	6017.13	Head Assembly	3
155	0007.01	Seal	1	1740	6033.01	Oil Reservoir Assembly	1
**163	0007.19	Seal (T.S.)	1	1799	6015.27	Piston/Rod Assembly	3
240	0102.04	Diaphragm Bolt	3	1843	1403.07	Washer	2
***357	0202.18	Suction Elbow (KAPPA-35)	1	1844	1403.09	Washer	4
365	0202.52	Suction Elbow	1	1964	1502.03	Connecting Rod Pin	3
500	0206.31	Piston Sleeve (KAPPA-55)	3	2045	1506.01	Snap Ring	1
***511	0206.39	Piston Sleeve (KAPPA-35)	3	2051	1506.15	Snap Ring	6
540	0208.98	Oil Reservoir Cap	1	2150	1519.18	Connecting Rod	3
569	0208.46	Accumulator Head	1	2251	1603.02	Plug	1
629	0209.44	Pump Body	1	2268	1603.32	Head Plug	6
**630	0209.46	Pump Body (T.S.)	1	2271	1603.44	3/8" Plug	2
698	0214.01	Ball Bearing	1	2582	1805.04	Bolt	4
794	0301.14	Retainer Washer	3	2588	1805.21	Bolt	9
803	0301.30	Spacer	1	2589	1805.31	Bolt	2
831	0302.50	Spacer	2	2602	1805.25	Head Bolt (Allen Head - Old Style)	19
928	0501.85	Body Flange	1	7250	0501.02	Seal Retainer	1
1038	0604.18	Barb Nut	1	7671	1403.09	Washer (Use with Ref #7948 Only)	15
1072	0605.09	Aluminum Gasket	1	7948	1804.45	Head Bolt (Hex Head - New Style)	19
1126	0608.16	Air Valve Assembly	1	*8120	0903.50	Piston Diaphragm (DESMOPAN)	3
*1295	0903.08	Accumulator Diaphragm	1	8151	1202.63	Mounting Rail - Right Side	1
1305	0903.43	Piston Diaphragm (BUNA-N) Optional	3	8152	1202.64	Mounting Rail - Left Side	1
1376	1101.16	O-Ring	1				
*1381	1101.27	O-Ring	6				
1382	1101.29	O-Ring	7				
1386	1101.33	O-Ring	1				
1389	1101.41	O-Ring	1				
1407	1101.62	O-Ring	1				

*Parts included in Diaphragm Repair Kit - #8700.26
Diaphragm Repair Kit also available in BUNA-N - #8700.25

**Parts for KAPPA-35/TS & KAPPA-55/TS only.

***Parts for KAPPA-35 only.

KAPPA-55



KAPPA-55

Medium Pressure Diaphragm Pump

KAPPA-55 3-cylinder, medium pressure diaphragm pumps are excellent choices for various horticulture, agricultural, lawn care, nursery, pest control and turf spraying applications. They are also effectively used in other applications such as aircraft de-icing, hydrostatic testing and cleaning.

KAPPA-55 pumps are constructed of anodized aluminum with anodized aluminum and stainless steel liquid handling parts. Built-in pulsation dampener, control valve and pressure gauge are standard on all models.



Drive options include:

Part Number	Description
4155.00	Hydraulic Motor Mounting Kit.
5027.75	4 - 6.5 HP Gear Reduction.
5033.A4	8-13 HP Gear Reduction.
7751.A3	1" solid keyed shaft.
7752.A2	1-3/8" 6-spline female PTO adapter & bolts, torque arms, chains & safety shield.
7753.A6*	1-3/8", 6-spline male PTO shaft.

*For all PTO drive applications, Safety Shield #1219.02 is recommended.

For applications not listed, please consult UDOR U.S.A.

SPECIFICATIONS

Maximum Flow	15 GPM
Maximum Pressure	560 PSI
Maximum RPM	540 RPM
Maximum Temperature	140°F
Inlet Port - Hose Barb	1-1/4"
Outlet Ports - Hose Barb (Ball Valve Controlled)	1/2" (2)
Bypass - Hose Barb	3/4"
Dimensions	L-11.5" x W-12.5" x H-10"
Weight	37 lbs.
Diaphragm Material	
Standard	DESMOPAN
Optional	BUNA-N

NOTE - Protect pumps from freezing. If freezing conditions exist, flush pump and system with a 50/50 mixture of antifreeze and water.