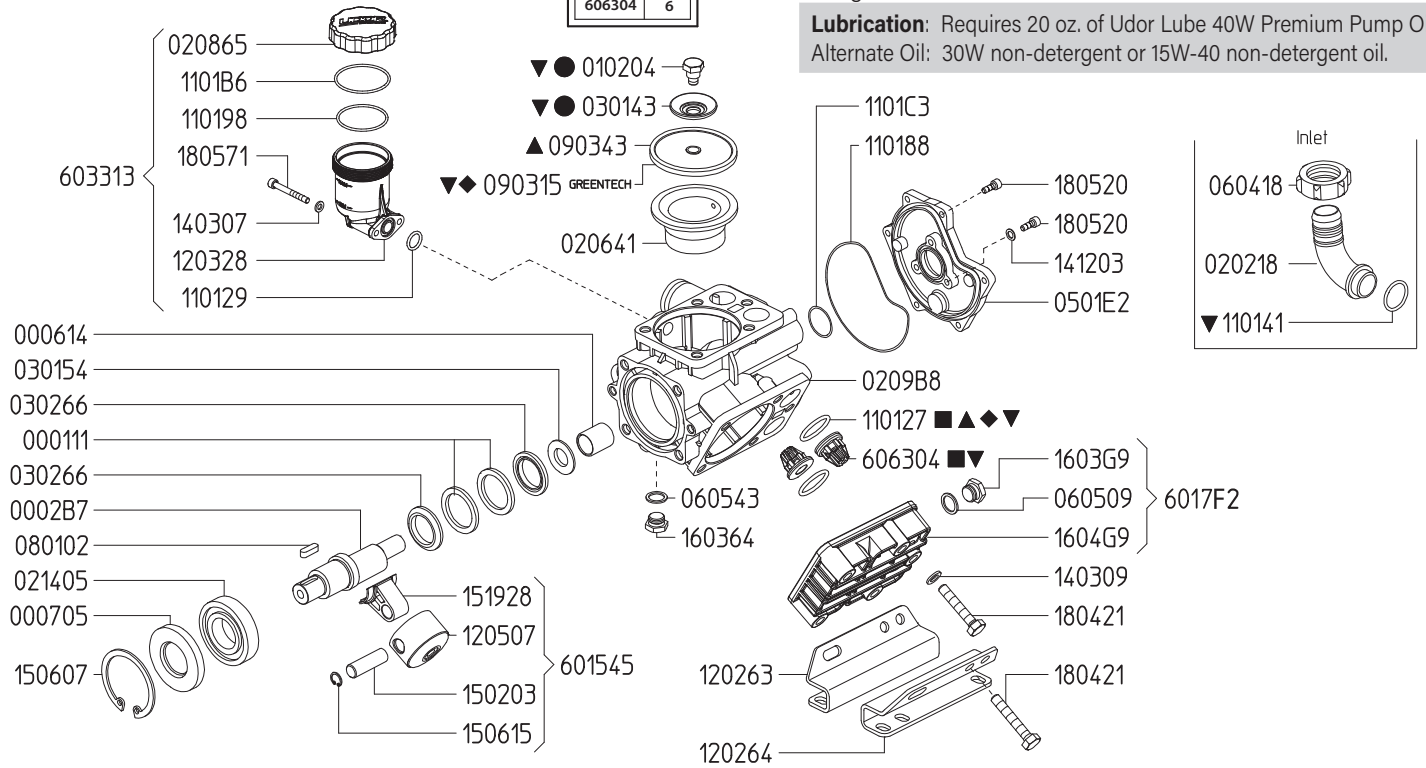


870045 KIT 634		6062A2 KIT 601		606246 KIT 545		606248 KIT 547		8700.45CK	
CODE	QTY	CODE	QTY	CODE	QTY	CODE	QTY	CODE	QTY
090315	3	090343	3	110127	6	010204	3	010204	3
110127	6	110127	6	606304	6	030143	3	030143	3
								090315	3
								110141	1
								110127	6
								606304	6

Maximum Flow	10.5 GPM / 40 lpm
Maximum Pressure	350 PSI / 24 bar
Maximum RPM	550 RPM
Inlet Port - Hose Barb	1" HB
Outlet Ports - Hose Barb, Valve	(2) 1/2" HB
Bypass - Hose Barb	3/4" HB
Dimensions - Pump Only	9.5"L x 11.5"W x 10.0"H
Weight - with GR	39 lbs

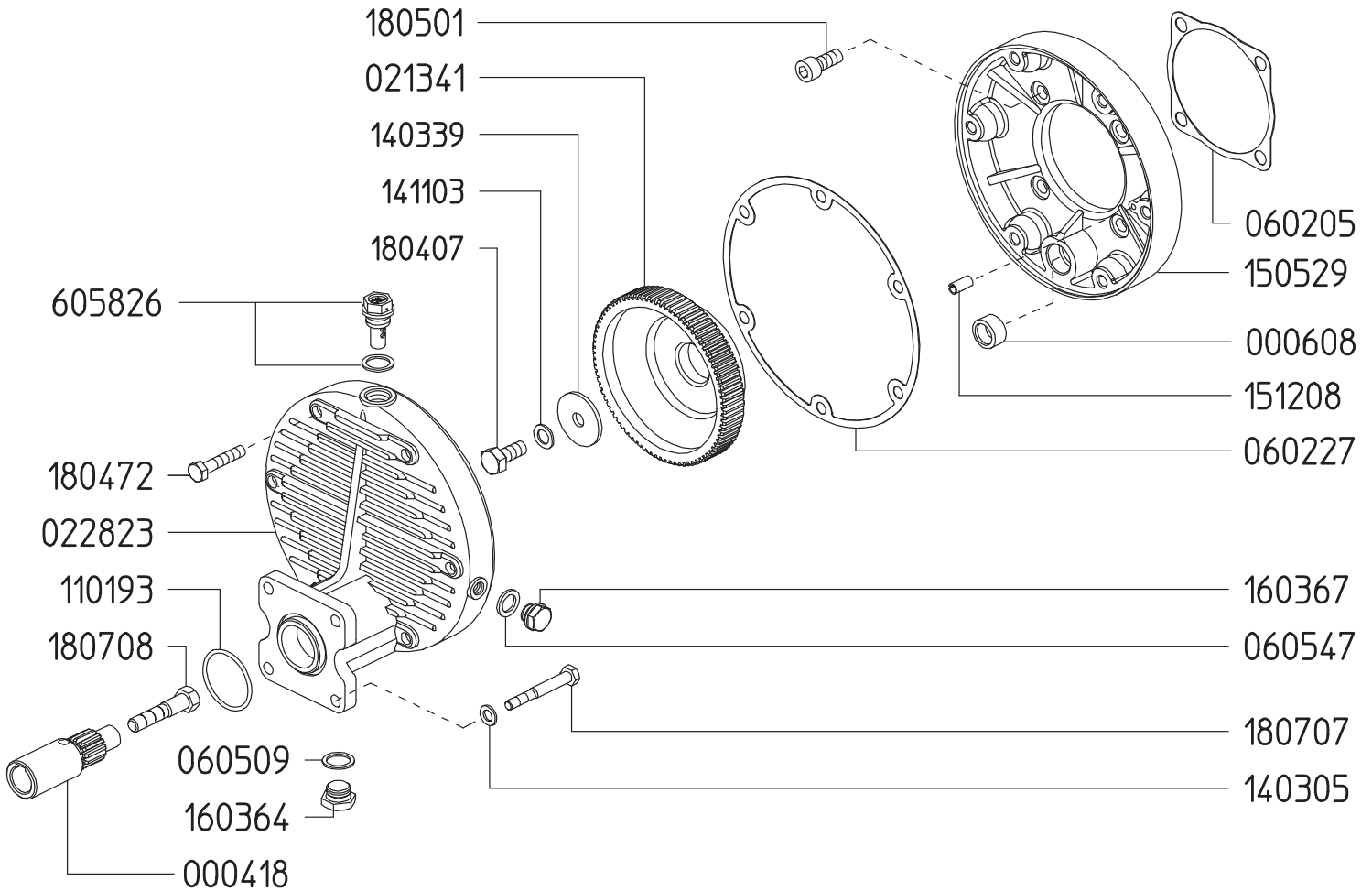
**Lubrication:** Requires 20 oz. of Udor Lube 40W Premium Pump Oil.  
Alternate Oil: 30W non-detergent or 15W-40 non-detergent oil.



Revised 1-21-2022

Part #	Description	Qty	Part #	Description	Qty
0001.11	RETAINER RING	2	1203.28	OIL RESERVOIR	1
0002.B7	SHAFT - GR	1	1205.07	ALUMINIUM PISTON D55	3
0006.14	BUSHING D20	1	1403.07	WASHER D6.4	2
0007.05	OIL SEAL D35	1	1403.09	WASHER D10.5	11
0102.04	DIAPHRAGM BOLT ●▼	3	1412.03	BONDED WASHER D6.7	3
0202.18	HOSE BARB D25 ( 1" )	1	1502.03	PIN D15X48	3
0206.41	SLEEVE D55	3	1506.07	SNAP RING D72	1
0208.65	OIL RESERVOIR COVER	1	1506.15	SNAP RING D15	3
0209.B8	CRANKCASE	1	1519.28	CONNECTING ROD	3
0214.05	BALL BEARING D35	1	1603.64	PLUG G3/8	1
0301.43	DIAPHRAGM DISC ●▼	3	1603.G9	PLUG G3/8	6
0301.54	BEARING DISC	1	1604.G9	HEAD	3
0302.66	ROD SPACER	2	1804.21	HEX BOLT M10X55	15
0501.E2	CRANKCASE FLANGE	1	1805.20	ALLEN BOLT M6X16	9
0604.18	BARB NUT M42X2	1	1805.71	ALLEN BOLT M6X50	2
0605.09	GASKET D17	6	6015.45	ROD ASSY D55	3
0605.43	GASKET D17	1	6017.F2	HEAD ASSEMBLY	3
0801.02	KEY A8X7X25 UNI6604-69	1	6033.13	OIL RESERVOIR ASSEMBLY	1
0903.15	PISTON DIAPHRAGM D90 - GREENTECH ◆▼	3	6063.04	VALVE ASSEMBLY W/O O-RING ●▼	6
0903.43	PISTON DIAPHRAGM D90 - BUNA ▲	3	6062.46	IN/OUTLET VALVE KIT (KIT545)	1
1101.27	O-RING - VALVE ◆▲●▼	6	6062.48	DIAPHRAGM BOLT/WASHER (KIT547)	1
1101.29	O-RING - OIL RESERVOIR	1	6062.A2	DIAPHRAGM KIT - BUNA-N (KIT 601)	1
1101.41	O-RING - INLET HOSE BARB ▼	1	8700.45	DIAPHRAGM KIT - GREENTECH (KIT 634)	1
1101.88	O-RING - CRANKCASE FLANGE	1	8700.45CK	COMPLETE REPAIR KIT	1
1101.98	O-RING - OIL RESERVOIR	1		■ Parts in 6062.46 (Kit 545).	
1101.B6	O-RING - OIL RESERVOIR	1		● Parts in 6062.48 (Kit 547).	
1101.C3	O-RING - CRANKCASE FLANGE	1		▲ Parts in 6062.A2 (Kit 601).	
1202.63	RIGHT BASE PLATE	1		◆ Parts in 8700.45 (Kit 634).	
1202.64	LEFT BASE PLATE	1		▼ Parts in 8700.45CK (Complete Repair Kit).	

**GAS ENGINE GEAR REDUCTION FOR  
KAPPA 32, KAPPA 43, DELTA 40 DIAPHRAGM PUMPS  
on GAS ENGINES with 3/4" SHAFTS  
REQUIRES 16 OZ. 90W GEAR LUBE**

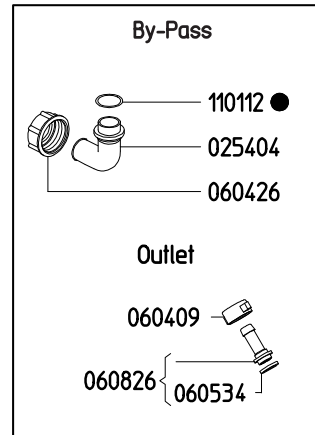
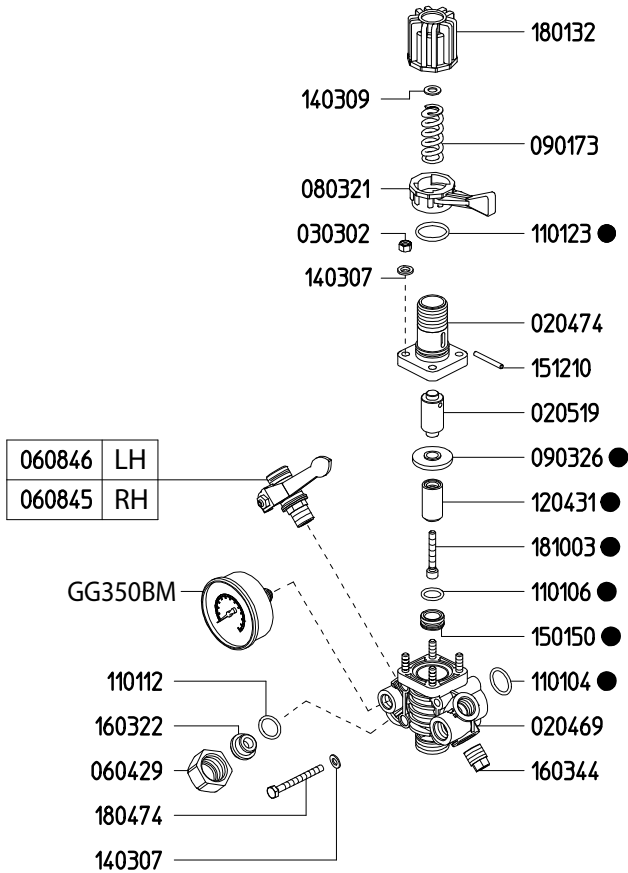


Revised 2-1-2021

Part #	Description	Qty	Part #	Description	Qty
0004.18	GEAR SHAFT - 3/4"	1	1411.03	SERATED WASHER D10	1
0006.08	BEARING	1	1505.29	GEAR CASE - PUMP	1
0213.41	PUMP GEAR - VA	1	1512.08	ALIGNMENT PIN	1
0228.23	GEAR CASE - ENGINE	1	1603.64	OIL PLUG G3/8	1
0602.05	GASKET	1	1603.67	OIL PLUG G1/4	1
0602.27	GASKET	1	1804.07	HEX BOLT M10X25	1
0605.09	GASKET - ALUMINUM	1	1804.72	HEX BOLT M8X50	6
0605.47	GASKET - ALUMINUM	1	1805.01	ALLEN BOLT M10X25	4
1101.93	O-RING	1	1807.07	HEX BOLT 5/16 X 1"	4
1403.05	WASHER D8.4	4	1807.08	HEX BOLT 5/16 X 2-1/4"	1
1403.39	WASHER D11	1	6058.26	VENTED OIL CAP	1

## Adjustable Pressure Regulator

Maximum Flow	27.0 GPM / 102 lpm
Maximum Pressure	350 PSI / 24 bar
Inlet Port - Hose Barb	-
Outlet Ports - Hose Barb, Valve	(2) 1/2" HB
Bypass - Hose Barb	3/4" HB



6062A9	
KIT 608	
CODE	QTY
090326	1
110104	1
110106	1
110112	1
110123	1
120431	1
150150	1
181003	1

Revised 1-21-2022

Part #	Description	Qty
0202.25	BYPASS HOSE BARB - STRAIGHT (OPTIONAL)	1
0204.69	BODY	1
0204.70	BODY	1
0205.19	CYLINDER	1
0254.04	BYPASS HOSE BARB - ELBOW	1
0303.02	NUT	4
0604.09	BARB NUT	2
0604.26	BYPASS BARB NUT	1
0604.29	NUT	1
0605.34	GASKET	2
0608.26	1/2" HOSE BARB W/GASKET	2
0608.45	BALL VALVE - RIGHT	1
0608.46	BALL VALVE - LEFT	1
0803.21	LEVER	1
0901.73	SPRING (LP 300 PSI)	1
0903.26	DIAPHRAGM ●	1
1101.04	O-RING ●	1

Part #	Description	Qty
1101.06	O-RING ●	1
1101.12	O-RING ●	2
1101.23	O-RING ●	1
1204.31	POPPET ●	1
1403.07	WASHER	6
1501.50	SEAT ●	1
1512.10	PIN	1
1603.22	PLUG	1
1603.44	PLUG	1
1801.32	ADJUSTMENT KNOB	1
1804.74	BOLT	2
1810.03	STAINLESS STEEL BOLT ●	1
6062.A9	REPAIR KIT FOR 6010.9X CONTROL UNIT (KIT 608)	1
GG350BM	PRESSURE GAUGE - 350 PSI BACK MOUNT	1

● Parts Included in Repair Kit #6062.A9 (KIT 608)

The control unit features a manual dump valve, pressure control knob, glycerine filled pressure gauge, and two ball valve discharge ports.

1. Before operating or re-operating the pump move lever (0803.21) to the dump position (Right) so the pump will start at zero pressure. (Failure to do so will void the pump warranty.)
2. Turn pressure adjustment knob (1801.32) counter clockwise to relieve spring tension. This step only applies to the initial start up and is not necessary in daily operation of pump.
3. Start unit and let run until air is evacuated from the system.
4. Move lever (0803.21) to the pressure position (Left) open spray gun or spray boom and turn the pressure adjustment knob (1801.32) clockwise until desired operating pressure is achieved.

All Dimensions are WITHOUT Control Unit or Regulator

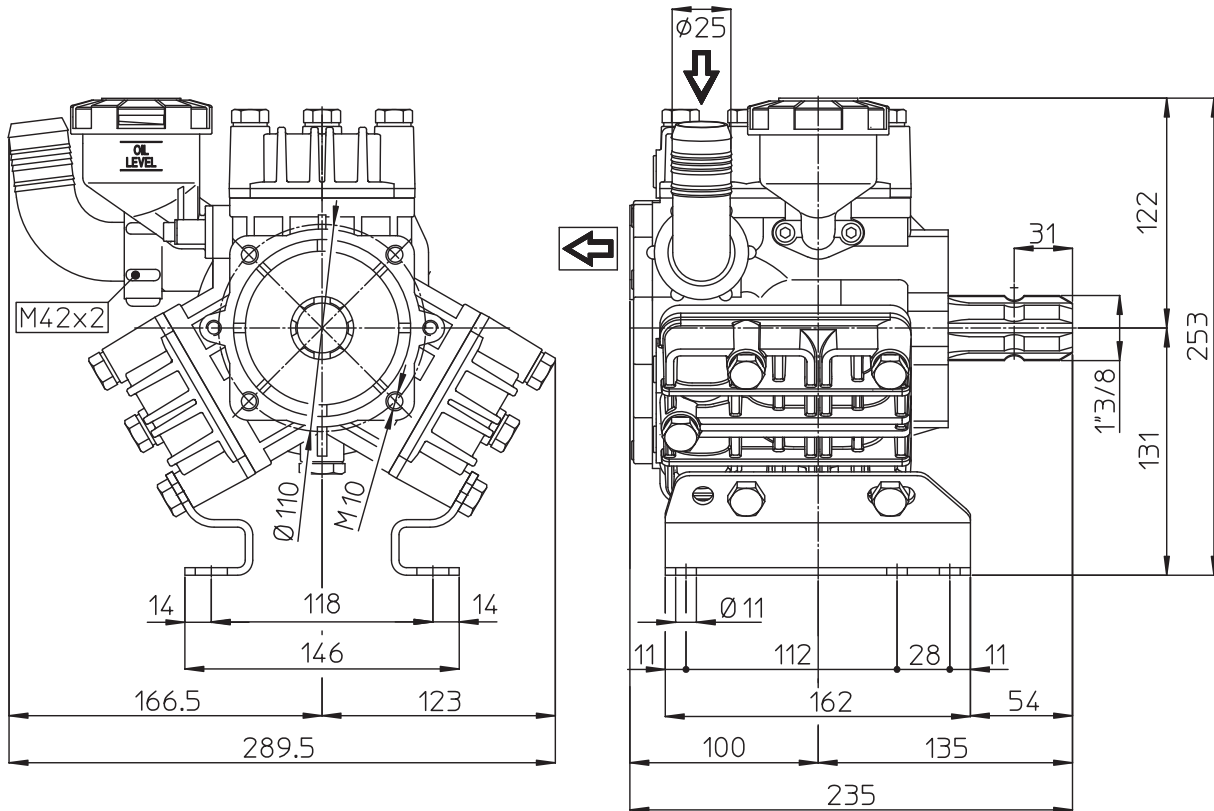
Dimensional Drawings are Shown in Millimeters. To Convert to Inches, Multiply Dimension x 0.03937

### Specifications

### KAPPA 43

Inlet Port - Hose Barb	1" HB
Outlet Ports - Hose Barb	(2) 1/2" HB
Bypass - Hose Barb	3/4" HB
Dimensions	9.5"L x 11.5"W x 10.0"H
Diaphragm Material	GREENTECH (Std) Buna-N (Opt)

**Lubrication:** Requires 20 oz. of Udor Lube 40W Premium Pump Oil.  
Alternate Oil: 30W non-detergent or 15W-40 non-detergent oil.



## TORQUE SPECS

Ref.	Description	Ft./lb.	Nm
1	Diaphragm Bolts (Use Loctite 243)	18	25
2	Head Bolts	30	40
3	Pulsation Dampener Bolts	-	-
4	Inlet Flange Bolts	7	10
5	Bearing Flange Bolts	-	-
6	Oil Cup Bolts	6	8
7	Valve Cover Bolts	-	-

