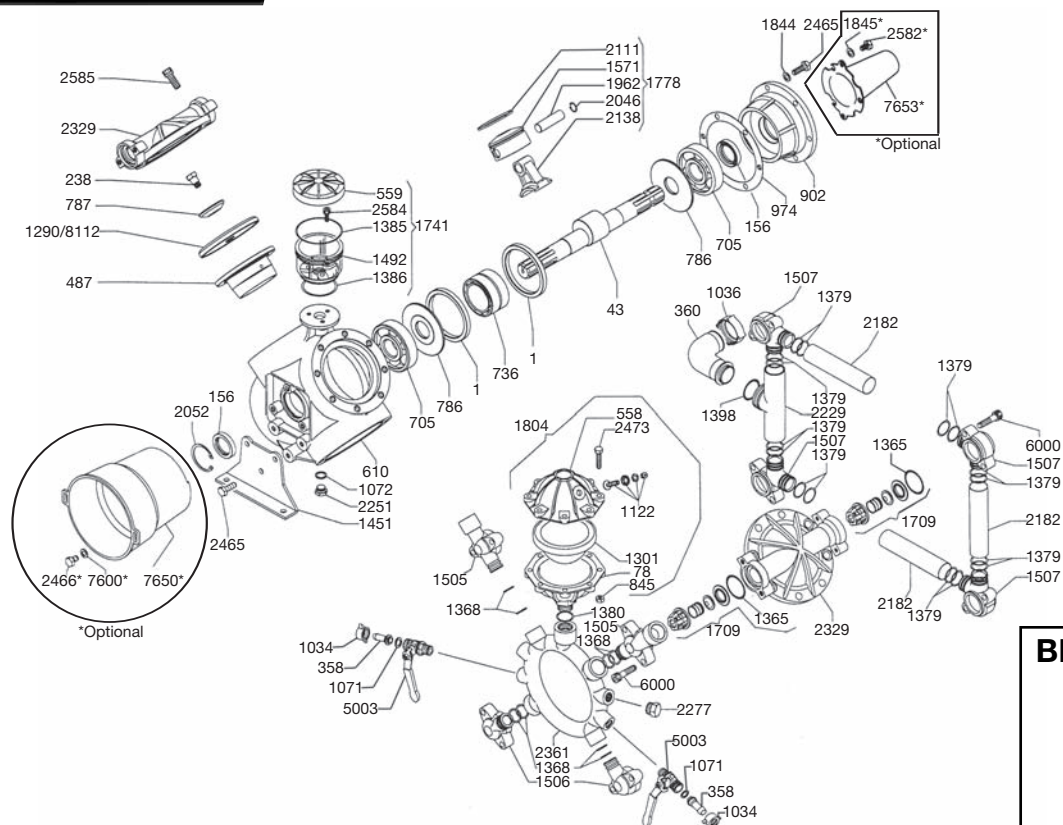




BETA-150/CC

Exploded View Diagram and Parts List



BETA-150/CC PUMP
Requires 87 oz.
UDOT LUBE,
or SAE 30W
Non-detergent Oil

REF#	PART#	DESCRIPTION	QTY	REF#	PART#	DESCRIPTION	QTY
1	0001.01	Retainer ring	2	1505	1203.45	Discharge Elbow, 3/4" F	2
43	0002.29	Crank Shaft	1	1506	1203.46	Discharge Elbow	2
78	0003.10	Accumulator Body	1	1507	1203.54	Suction Elbow	4
156	0007.02	Crank Shaft Seal	2	1571	1205.08	Piston	4
238	0102.03	Diaphragm Bolt	4	1709	6006.08	Valve Assembly	8
358	0202.19	1/2" Barb	2	1741	6033.02	Oil Reservoir Kit	1
360	0202.84	Suction Hose Barb	1	1778	6015.01	Piston & Rod Assembly	4
487	0206.12	Piston Sleeve	4	1804	6031.02	Accumulator Assembly	1
558	0208.21	Accumulator Head	1	1844	1403.09	Washer	4
559	0208.22	Oil Reservoir Cap	1	*1845	1403.10	Washer	3
610	0209.17	Pump Body	1	1962	1502.01	Connecting Rod Pin	4
705	0214.11	Ball Bearing	2	2046	1506.02	Snap Ring	8
736	0216.02	Needle Bearing	1	2052	1506.16	Snap Ring	1
786	0301.02	Washer	2	2111	1509.05	Piston Ring	4
787	0301.03	Retainer Washer	4	2138	1519.03	Connecting Rod	4
845	0303.01	Nut	8	2182	1601.27	Suction Tube	3
902	0501.46	Flange	1	2229	1602.30	Suction Tube	1
974	0602.01	Gasket	1	2251	1603.02	Oil Plug	1
1034	0604.09	Barb Nut	2	2277	1603.34	Plug	1
1036	0604.48	Suction Nut	1	2329	1604.54	Head	4
1071	0605.05	Rubber Gasket	2	2361	1605.22	Discharge Manifold	1
1072	0605.09	Aluminum Gasket	1	2465	1804.03	Bolt	10
1122	0608.16	Air Valve Assembly	1	*2466	1804.06	Bolt	3
1290	0903.01	Diaphragm (BUNA-N, Optional)	4	2473	1804.54	Bolt	8
**1301	0903.16	Accumulator Diaphragm	1	*2582	1805.04	bolt	3
**1365	1101.01	O-Ring	8	2584	1805.06	Bolt	3
1368	1101.04	O-Ring	8	2585	1805.08	Bolt	32
1379	1101.31	O-Ring	16	5003	0608.46	Ball Valve (Right)	2
1380	1101.27	O-Ring	1	6000	1805.07	Bolt	16
1385	1101.32	O-Ring	1	*7600	1403.36	Washer	3
1386	1101.33	O-Ring	1	*7650	1219.02	PTO Safety Shield (optional)	1
1398	1101.42	O-Ring	1	*7653	1219.15	Shaft Protector Thru Shaft (optional)	1
1451	1202.14	Base Plate	2	*8112	0903.33	Diaphragm (DESMOPAN, Standard)	4
1492	1203.30	Oil Reservoir	1				

* Parts Included in Diaphragm Repair Kit - #8700.07. (Also available in BUNA-N - #8700.18.)



BETA-150/CC

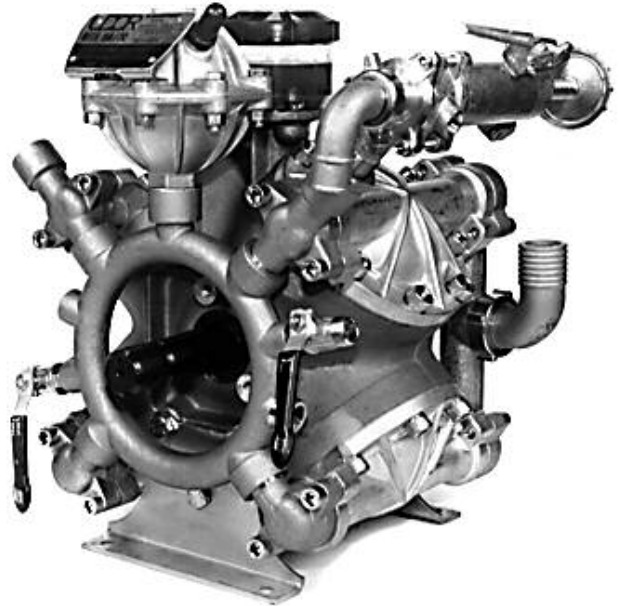
High Pressure Diaphragm Pump

BETA-150/CC high pressure, high volume diaphragm pumps are excellent for various horticultural and agricultural spraying applications. Simplicity of design and common parts allow easy and affordable maintenance. Control valve, pulsation dampener and pressure gauge are standard.

The BETA-150/CC is constructed of aluminum, brass and stainless steel with brass and stainless steel liquid handling parts.

For industrial uses and spraying applications not listed, please consult UDOR U.S.A. For all PTO drive app. safety shield part # 1219.02 is recommended.

Splined Q-2 bushing for pulley drive is available upon request. For thru shaft protection part # 1219.15 is recommended.



SPECIFICATIONS

Maximum Flow	42 GPM
Maximum Pressure.....	700 PSI
Maximum RPM	540 RPM
Maximum Temperature	140°F
Inlet Port Hose Barb	1-1/2"
Outlet Ports	
Hose Barb (Ball Valve Controlled)	1/2" (2)
FNPT	3/4"
MNPT	3/4"
Bypass Hose Barb.....	1"
Dimensions.....	L-21.9" x W-15" x H-16.5"
Weight	130 lbs.
Diaphragm Material	
Standard.....	DESMOPAN
Optional	BUNA-N

NOTE - Protect pumps from freezing. If freezing conditions exist, flush pump and system with a 50/50 mixture of antifreeze and water.