

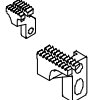












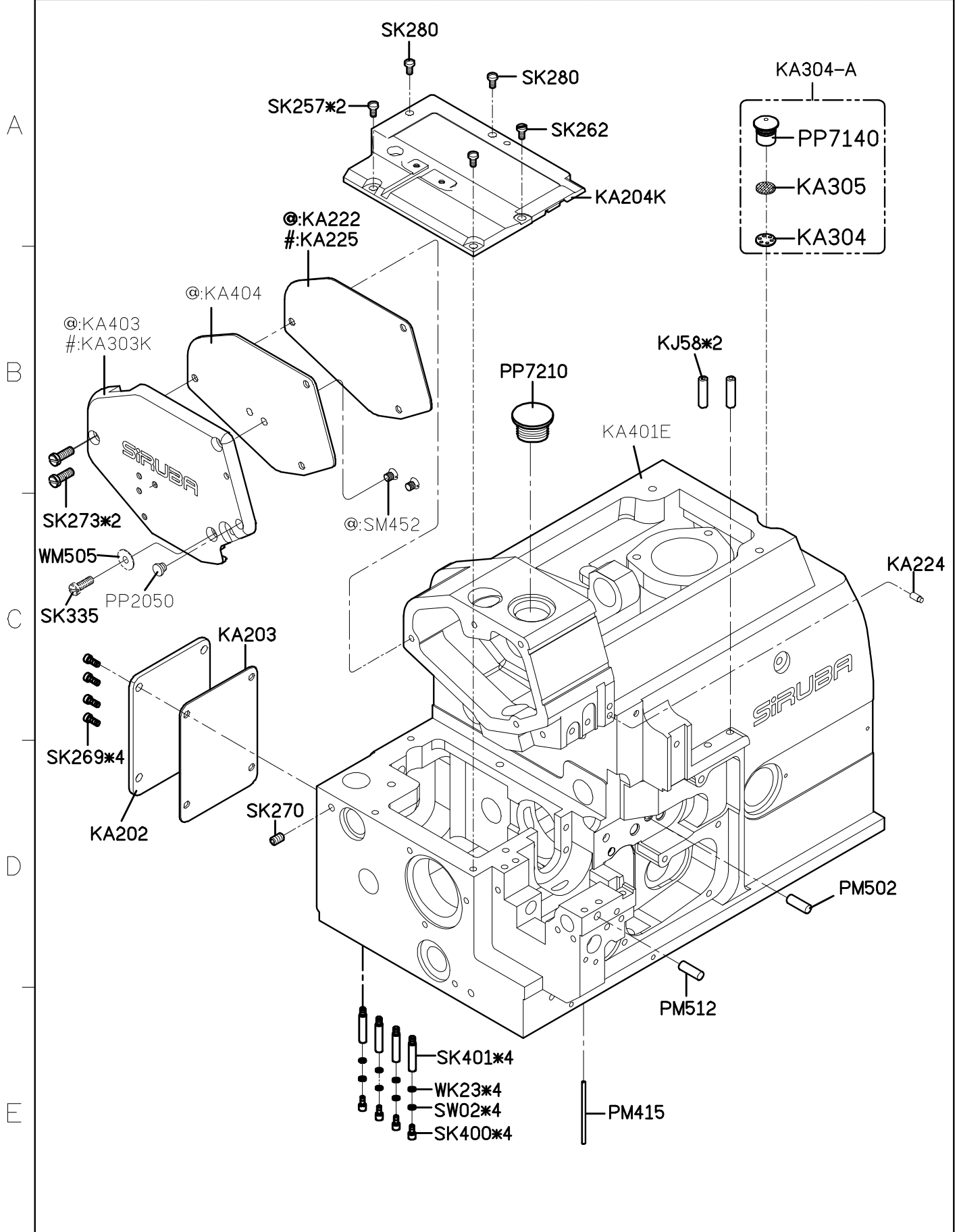


SIRUBA GAGE PARTS LIST		Series							Remark						Page	Date
		700Qe													1 / 2	2015/04/13
																
機 型 Model		針板 Needle Plate	送具 Feed Dog	送具 Feed Dog	押具 Presser Foot	勾針 Looper	針鉗 Needle Clamp	束環 Coller	衝程 Crank	衝程 Crank	大心 Crank Shaft	勾針連桿座 Upper Looper Holder	過線件 Thread Guide	下刀架 Lower Kniff Holder	針 Needle	
737Qe	503M2-04	E222	D210K	D207	H204K	P201-14A	LP231	KG231K-E	KJ204	KF203-E	KJ206-E	KD401	KJ236	KJ219	KR209	DCX27#11
	504F1-04	E206	D201K	D207	H201K	P201-14A	LP225	KG231K-E	KJ204	KF203-E	KJ206-E	KD401	KJ236	KJ219	KR209	DCX27#9
	504F1-15	E233K	D201K	D217	H201K	P214P-A	LP225	KG231K-E	KJ204	KF203-E	KJ206-E	KD401	KJ236	KJ219	KR209	DCX27#9
	504F2-02/GAL-Q	E233K	D201K	D217	H201K	P214P-2A	LP225	KG231K-E	KJ204	KF203-E	KJ206-E	KD401	KJ236	KJ219	KR209	DCX27#9
	504M1-15	E207	D201K	D209	H201K	P211-A	LP225	KG231K-E	KJ204	KF203-E	KJ206-E	KD401	KJ236	KJ219	KR209	DCX27#9
	504M2-04	E222	D210K	D207	H204K	P201-14A	LP225	KG231K-E	KJ204	KF203-E	KJ206-E	KD401	KJ236	KJ219	KR209	DCX27#11
	504M2-04/TR	E222	D210K	D207	H204K	P216-3	LP225	KG231K-E	KJ204	KF203-E	KJ206-E	KD401	KJ236	KJ219	KR209	DCX27#11
	504M3-04	E220	D210K	D209	H204K	P201-14A	LP225	KG231K-E	KJ204	KF203-E	KJ206-E	KD401	KJ236	KJ219	KR209	DCX27#11
	504M3-05	E221	D210K	D209	H204K	P201-14A	LP225	KG231K-E	KJ204	KF203-E	KJ206-E	KD401	KJ236	KJ219	KR209	DCX27#11
	504M3-05/PZ	E221	D210K	D209	H204K	P257-A	LP225	KG231K-E	KJ204	KF203-E	KJ206-E	KD401	KJ236	KJ219	KR209	DCX27#18
	504M5-04/BK	E232	D203K	D207	H203K	P202Q-2A	LP225	KG231K-E	KJ204	KF203-E	KJ206-E	KD401	KJ236	KJ219	KR209	DCX27#11
504M5-04/BK-1	E232	D203K	D207	H203K	P202Q-2A	LP225	KG231K-E	KJ204	KF203-E	KJ206-E	KD401	KJ236	KJ219	BK239	DCX27#11	
505F1-04	E206	D201K	D207	H201K	P203-A	LP225	KG231K-E	KJ204	KF203-E	KJ206-E	KD401	KJ236	KJ219	KR209	DCX27#9	
747Qe	512M1-25	E208	D210K	D207	H204K	P201-A	LP228	KG242K-E	KJ204	KF215-E	KJ203-E	KD401	KJ208	KJ219	KR209	DCX27#11*2
	512M1-34	E236	D210K	D207	H204K	P214-A	LP228	KG254K-E	KJ204	KF215-E	KJ203-E	KD401	KJ208	KJ219	KR209	DCX27#14*2
	514F1-24	E212K	D210K	D207	H204K	P201-A	LP226	KG242K-E	KJ234K	KF203-E	KJ203-E	KD401	KJ208	KJ219	KR209	DCX27#11*2
	514H4-24/GA	E229	D202K	D207	H202K	P204-A	LP226	KG242K-E	KJ234K	KF203-E	KJ203-E	KD401	KJ208	KJ219	KR209	DCX27#11*2
	514H4-24/GAP	E229	D202K	D207	H202K	P204P-A	LP226	KG242K-E	KJ234K	KF203-E	KJ203-E	KD401	KJ208	KJ219	KR209	DCX27#11*2
	514M2-24	E229	D210K	D207	H204K	P201-A	LP226	KG242K-E	KJ234K	KF203-E	KJ203-E	KD401	KJ208	KJ219	KR209	DCX27#11*2
	514M2-24/TG	E229	D210K	D207	H204K	P254J-4A	LP226	KG242K-E	KJ234K	KF203-E	KJ203-E	KD401	KJ208	KJ219	KR209	DCX27#11*2
	514M2-25	E208	D210K	D207	H204K	P201-A	LP226	KG242K-E	KJ234K	KF203-E	KJ203-E	KD401	KJ208	KJ219	KR209	DCX27#11*2
	514M2-28	E230	D210K	D207	H204K	P201-8A	LP227A	KG242K-E	KJ204K	KF203-E	KJ203-E	KD401A	KJ228	KJ238	KR209	DCX27#11*2
	514M4-23	E209	D210K	D207	H204K	P201-2A	LP226	KG242K-E	KJ234K	KF203-E	KJ203-E	KD401	KJ208	KJ219	KR209	DCX27#11*2
	514M5-23/BK	E210	D203K	D207	H203K	P202Q-A	LP226	KG242K-E	KJ234K	KF203-E	KJ203-E	KD401	KJ208	KJ219	KR209	DCX27#11*2
	514M5-23/BK-1	E210	D203K	D207	H203K	P202Q-A	LP226	KG242K-E	KJ234K	KF203-E	KJ203-E	KD401	KJ208	KJ219	BK239	DCX27#11*2
	514M5-23/BKS	E210Q	D203K	D207	H203	P202Q-A	LP226	KG242K-E	KJ234K	KF203-E	KJ203-E	KD401	KJ208	KJ219	BK309	DCX27#11*2
514M7-24	E226	D212	D207	H210	P201-A	LP230	KG242K-E	KJ204K	KF203-E	KJ203-E	KD401A	KJ228	KJ238	KR209	DCX27#16*2	



SIRUBA PARTS LIST	Series	Parts Group	Subclass / Remark	Page
	700QD/988QD	KA	@: Use for 700QD/988QD	1/1
	700Qe/988Qe		#: Use for 700Qe/988Qe	Date
				2016/07/11



1

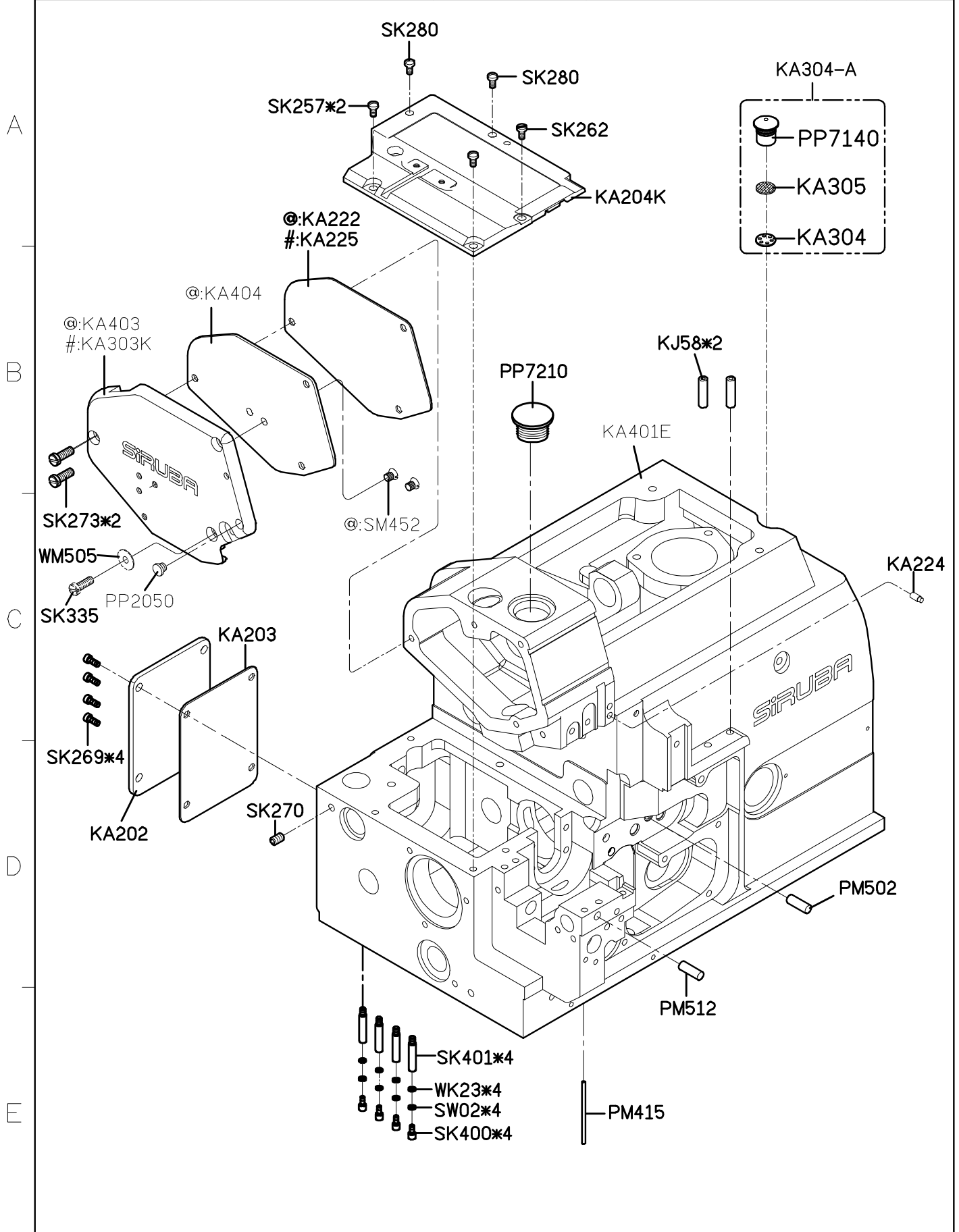
2

3

4

5

SIRUBA PARTS LIST	Series	Parts Group	Subclass / Remark	Page
	700QD/988QD	KA	@: Use for 700QD/988QD	1/1
	700Qe/988Qe		#: Use for 700Qe/988Qe	Date
				2016/07/11



1

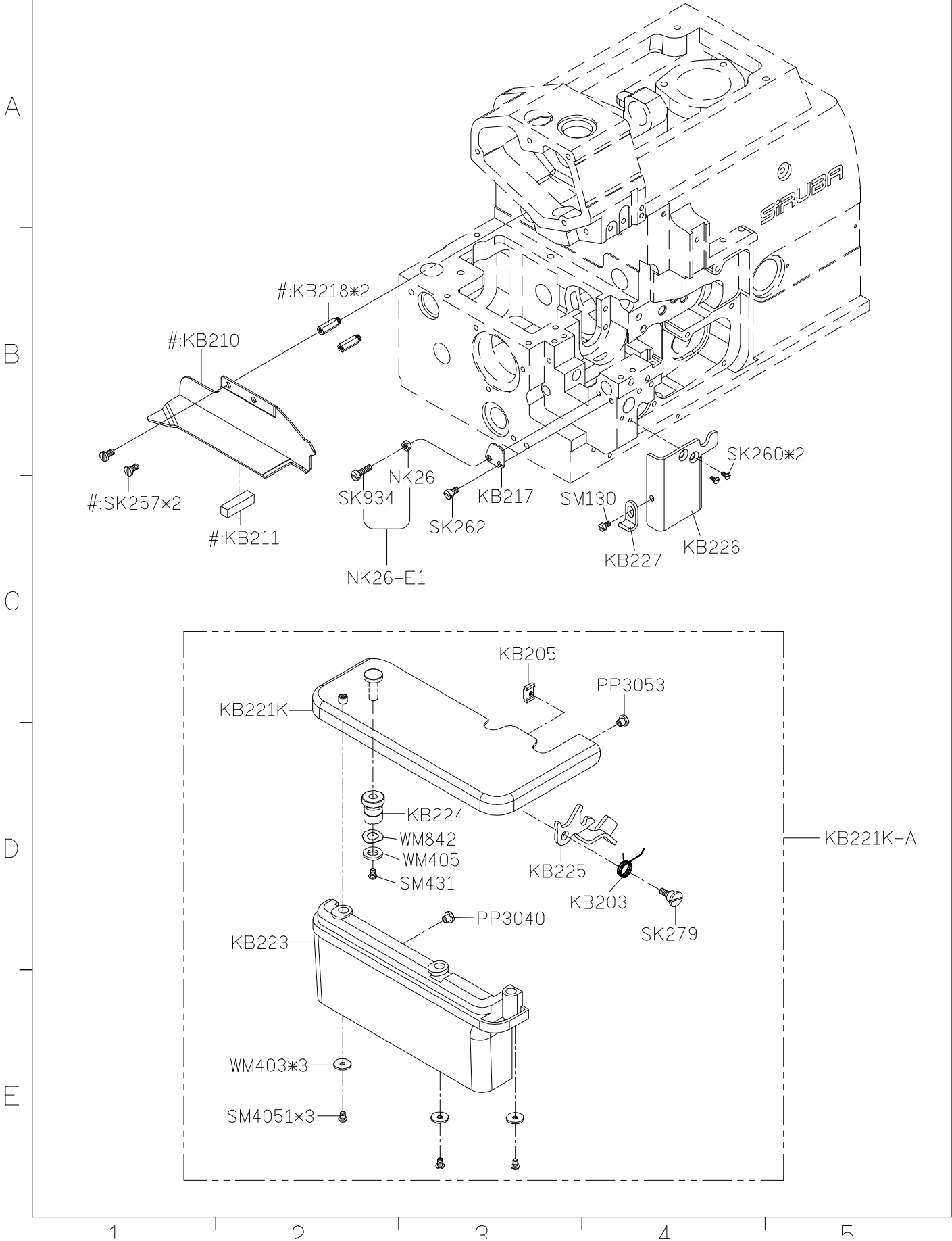
2

3

4

5

<b>SIRUBA</b> <b>PARTS LIST</b>	Series	Parts Group	Subclass / Remark	Page
	700QD/988QD	<b>KB</b>	#: Use for 700Qe/988Qe	1/1
	700Qe/988Qe			Date
				2015/03/18



<b>SIRUBA</b> <b>PARTS LIST</b>	<b>Series</b>		<b>Parts Group</b>	<b>Subclass Remark</b>	<b>Page</b>
	700QD/988QD		<b>KC</b>	@: Use for 700QD/988QD #: Use for 700Qe/988Qe	1/1
	700Qe/988Qe				<b>Date</b>
					2016/07/22

MODEL	#3/#4	#5/#6
PARTS NO	KC209	KC219
	KC303K-4	KC303K-5

MODEL	700QD	988QD
PARTS NO	KC409	KC409C
MODEL	700Qe	988Qe
PARTS NO	KC409E	KC409CE

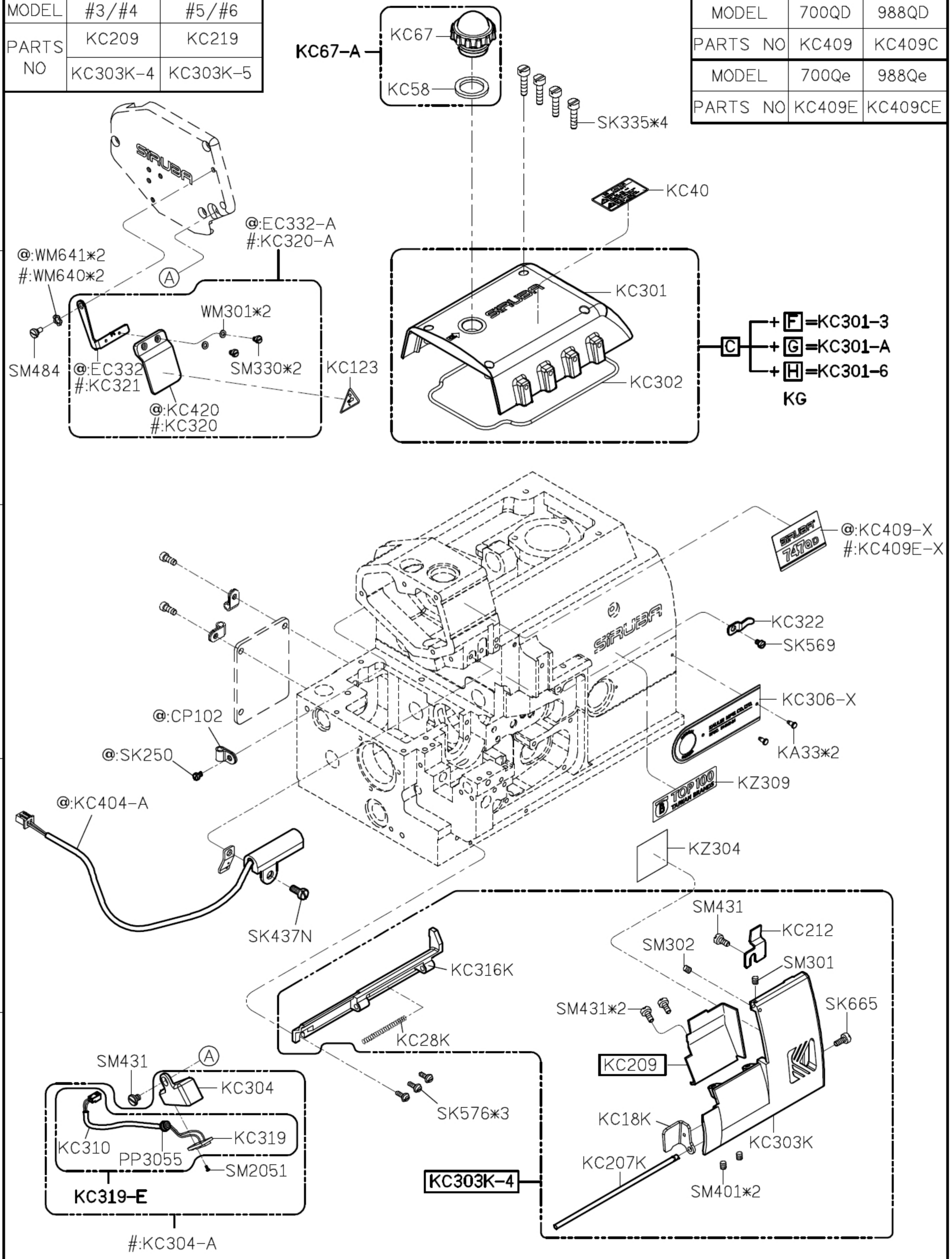
A

B

C

D

E



**SIRUBA**

PARTS LIST

Series

700QD/988QD  
700Qe/988Qe

Parts Group

**KD**

Subclass / Remark

#: Use for 700Qe/988Qe

Page

1/5

Date

2017/1/20

MODEL	#3/#4	#5/#6
PARTS NO	KD204	KD217
	SM603B	KD220
	SK241*3	SK539*2
		SK872*1

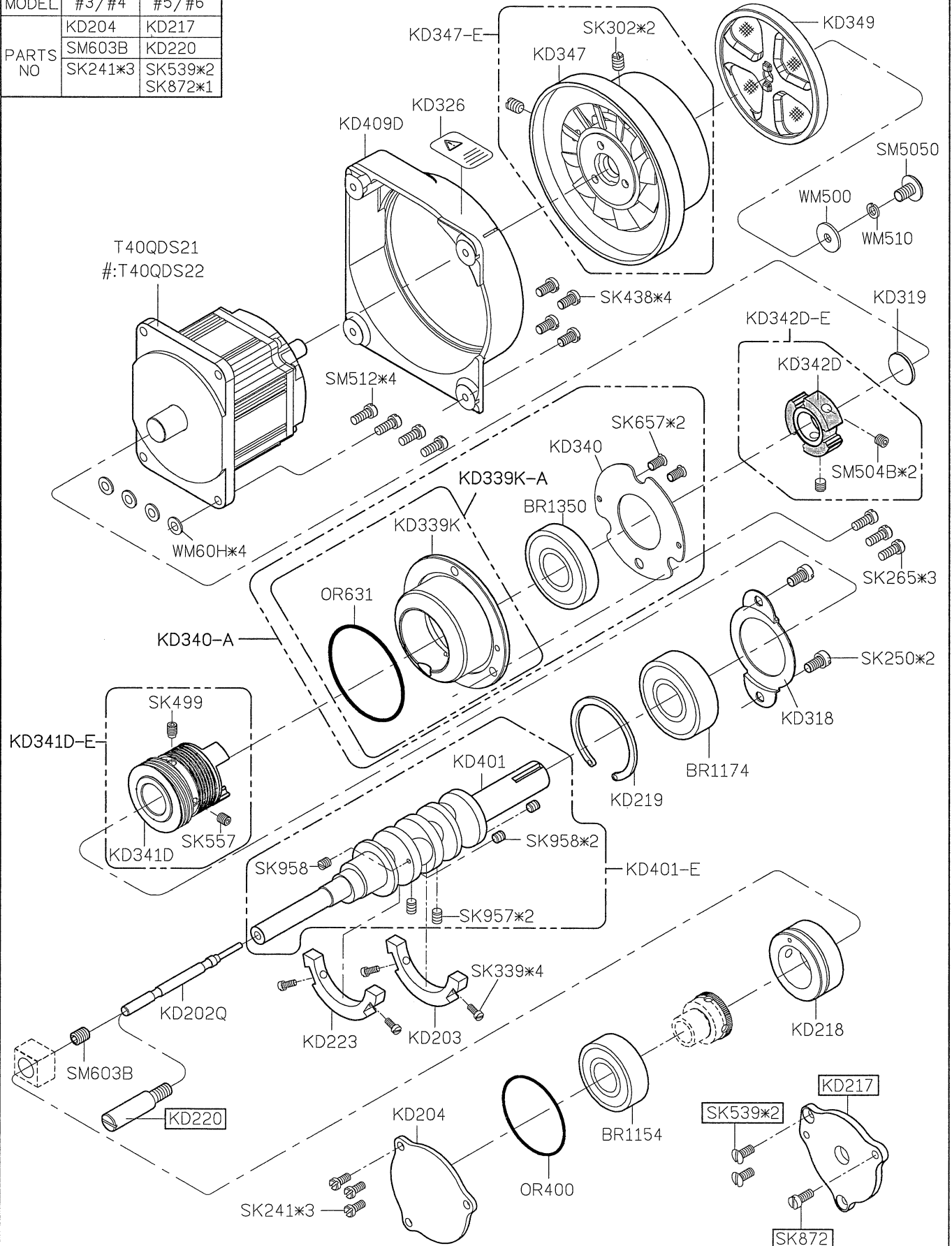
A

B

C

D

E



1

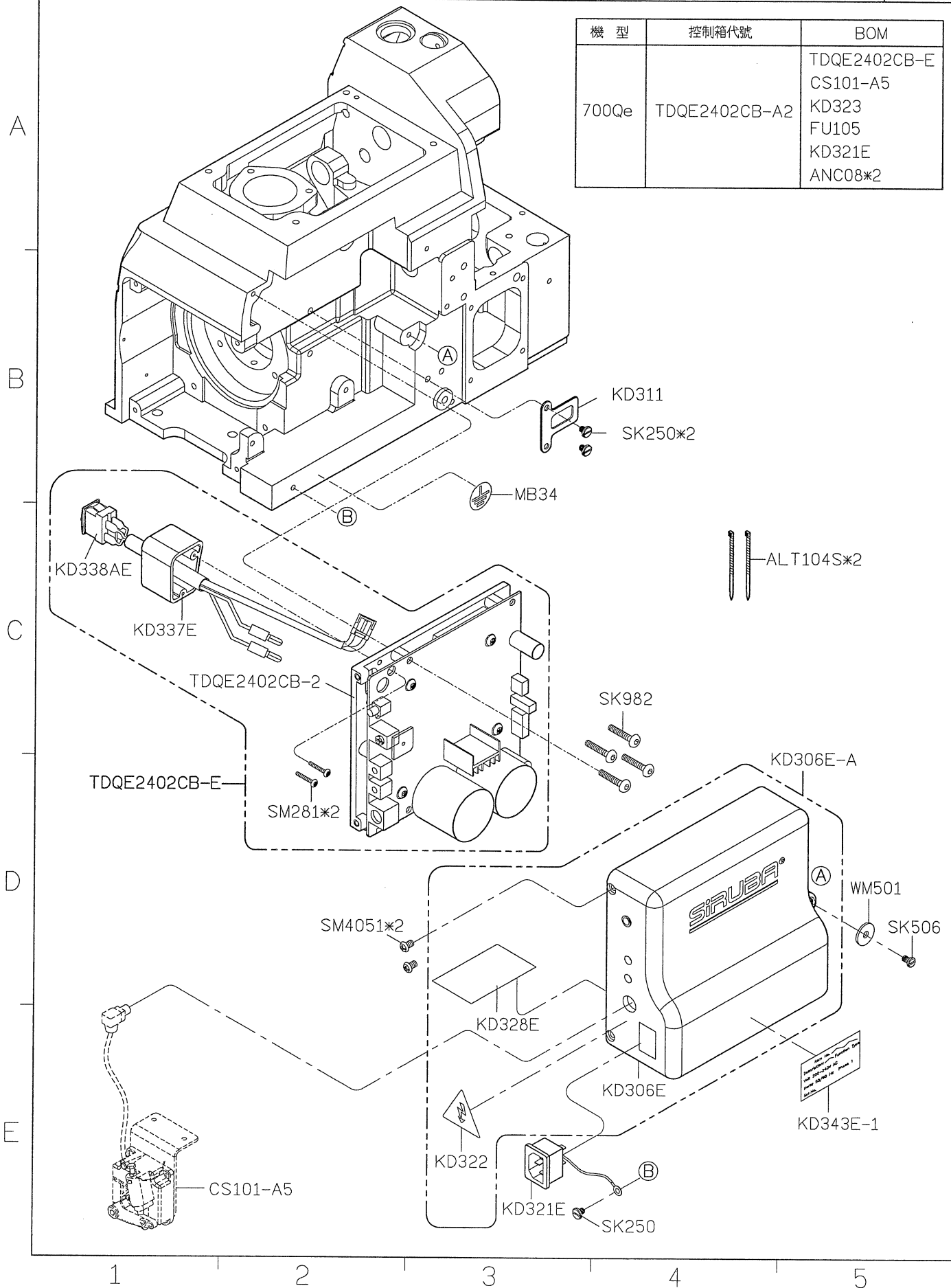
2

3

4

5

機 型	控制箱代號	BOM
700Qe	TDQE2402CB-A2	TDQE2402CB-E CS101-A5 KD323 FU105 KD321E ANC08*2





<b>SIRUBA</b> <b>PARTS LIST</b>	Series	Parts Group	Subclass / Remark	Page
	700QD/988QD	<b>KD</b>	#: Use for 700Qe/988Qe	5/5
	700Qe/988Qe			Date
				2014/02/05

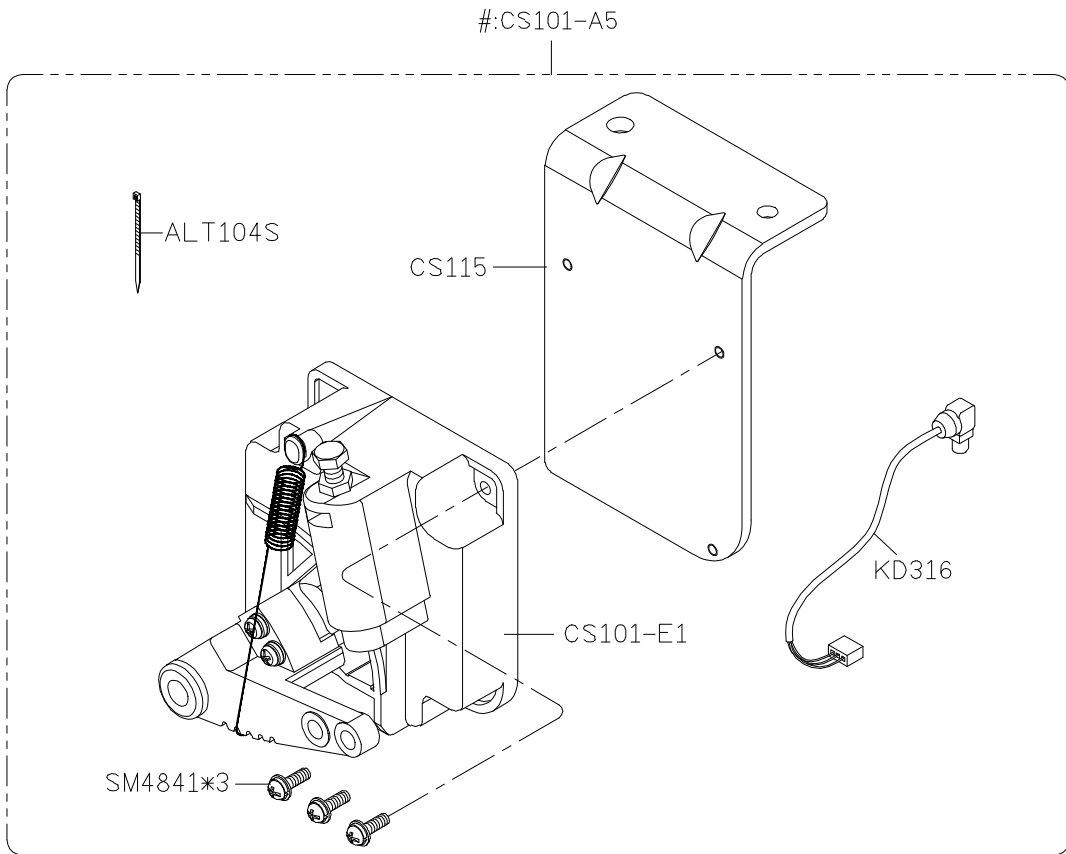
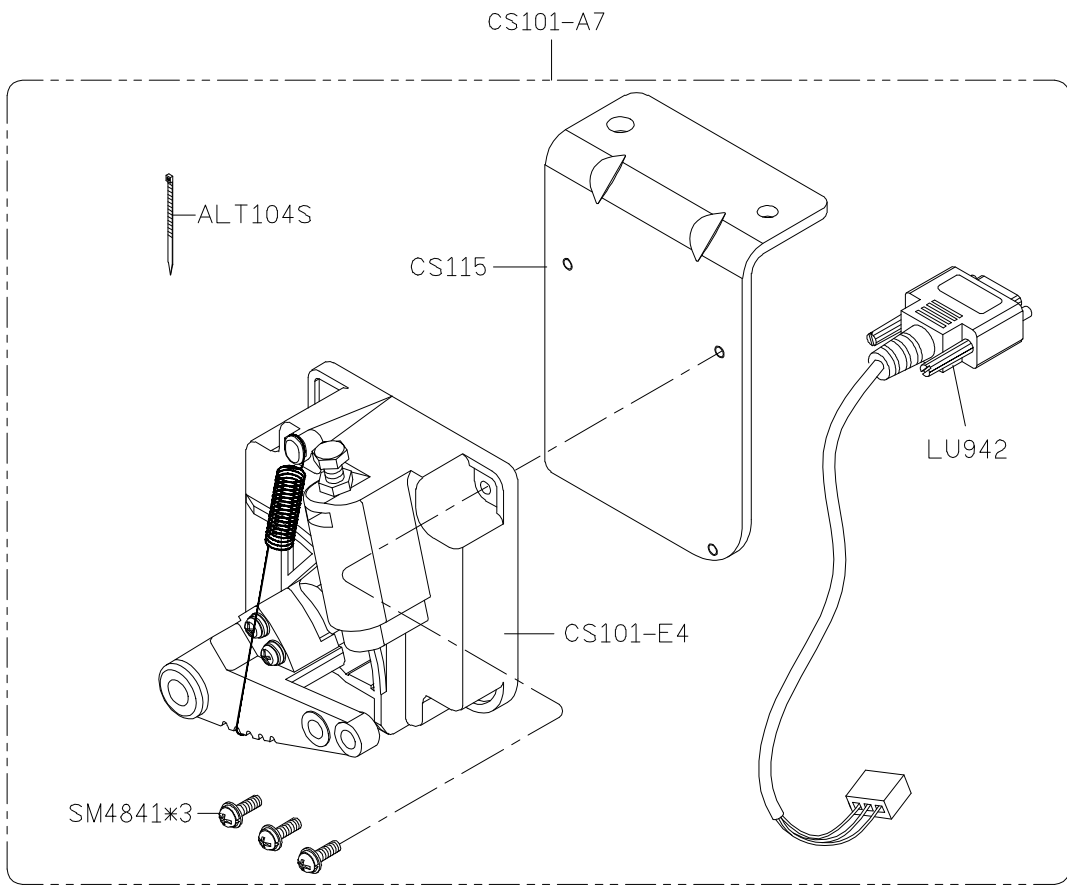
A

B

C

D

E



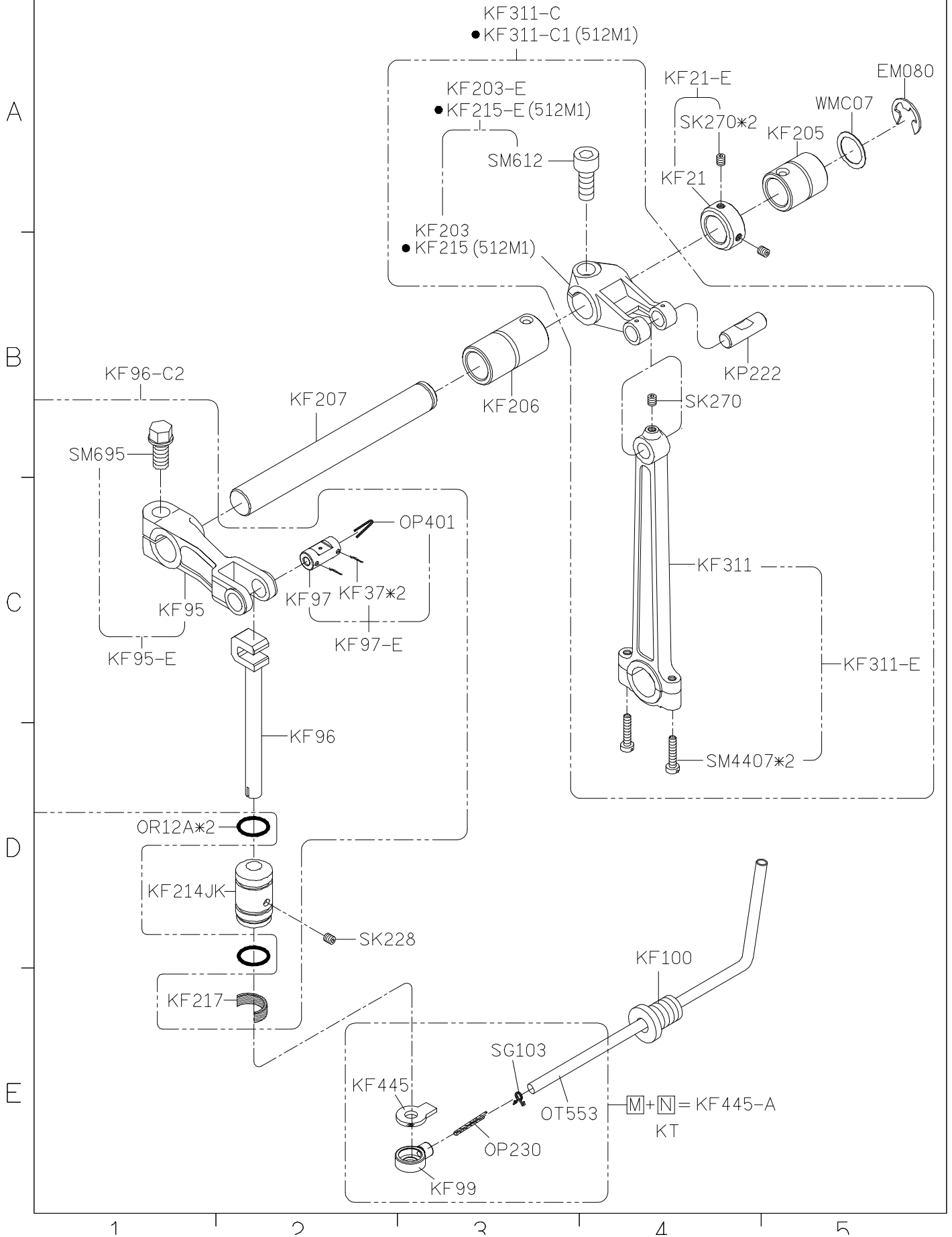
1

2

3

4

5



**SIRUBA**  
**PARTS LIST**

**Series**  
**700QD/988QD**  
**700Qe/988Qe**

**Parts Group**  
**KG**

**Subclass Remark**

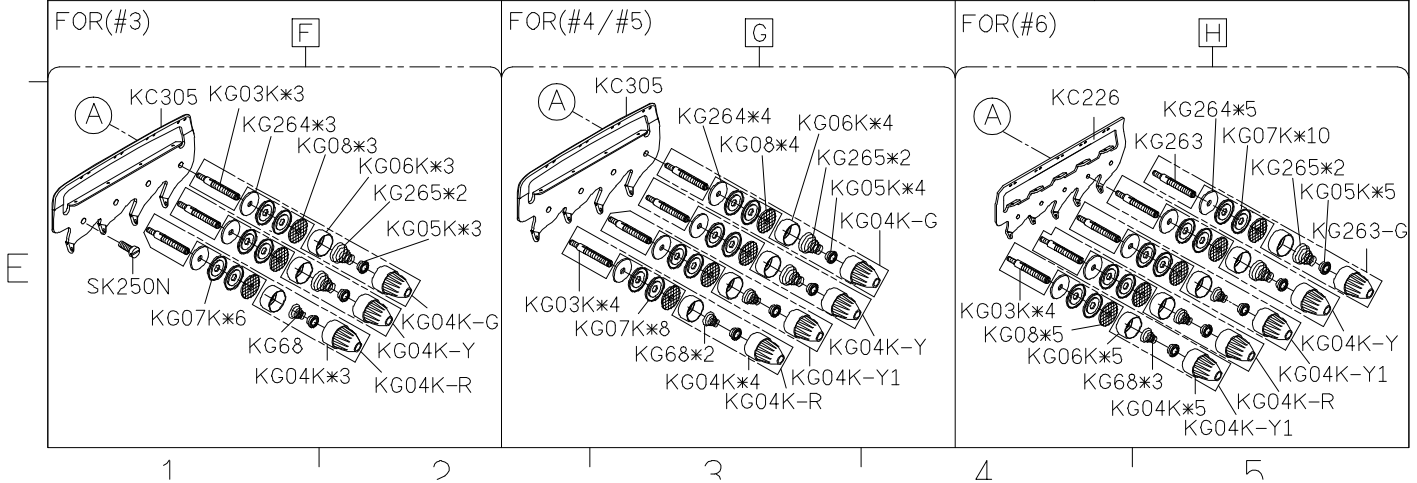
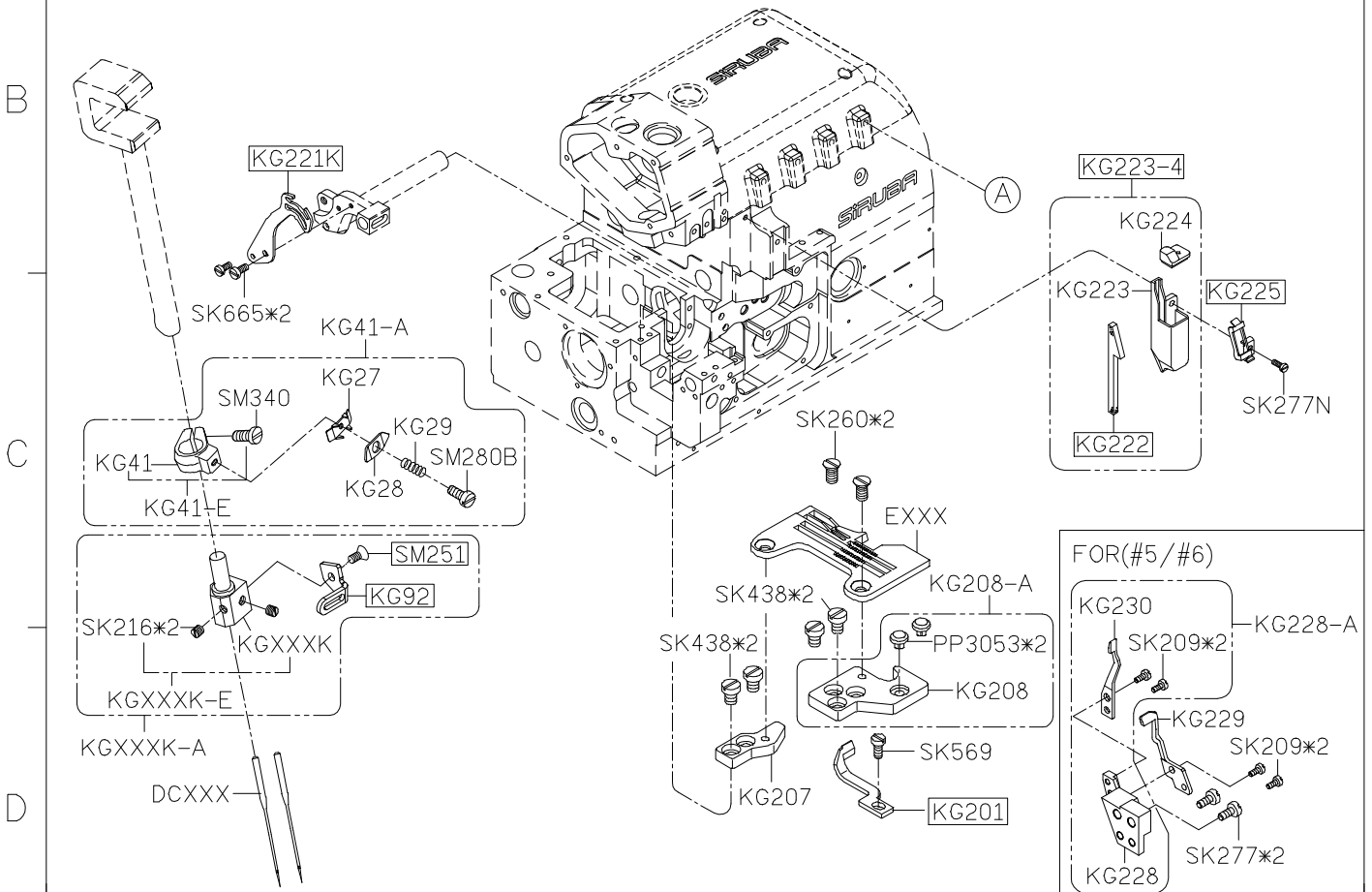
**Page**

1/1

**Date**

2015/07/06

MODEL	#3	#4	#5	#6	FOR(#3/#4)	FOR(#5/#6)
PARTS NO	KG262	KG211K	KG262	KG211K		
	KG248	KG213K	KG239	KG246		
	KG250K	KG221K	KG243K	KG251K		
	KG222	KG222	KG245	KG245		
	KG225	KG225	KG261	KG261		
	KG201	KG201	KG244	KG244		
	KG93	KG92	KG267	KG267		
	SK216	SK216	SK216*2	SK216*2		
	SK250N	SK250N	SK250N*2	SK250N*2		
	SK437N	SK437N	SK437	SK437		
	SM251	SM251	SM250	SM250		
	KG212-3	KG212-4	KG241-5	KG241-6		
	KG223-4	KG223-4	KG223-5	KG223-5		



**SIRUBA**

PARTS LIST

Series

700QD/988QD  
700Qe/988Qe

Parts Group

**KJ**

Subclass / Remark

Page

1/1

Date

2016/12/28

MODEL	#3/#5	#4/#6	#4 M7/M8/M2-28
PARTS NO	KJ204	KJ234K	KJ204K
	KJ206	KJ203	KJ203
	KJ206-E	KJ203-E	KJ203-E
	KJ206-C	KJ203-C	KJ203-C
	KJ236	KJ208	KJ228
	KJ236-C	KJ208-C	KJ228-C
	KJ219		KJ238

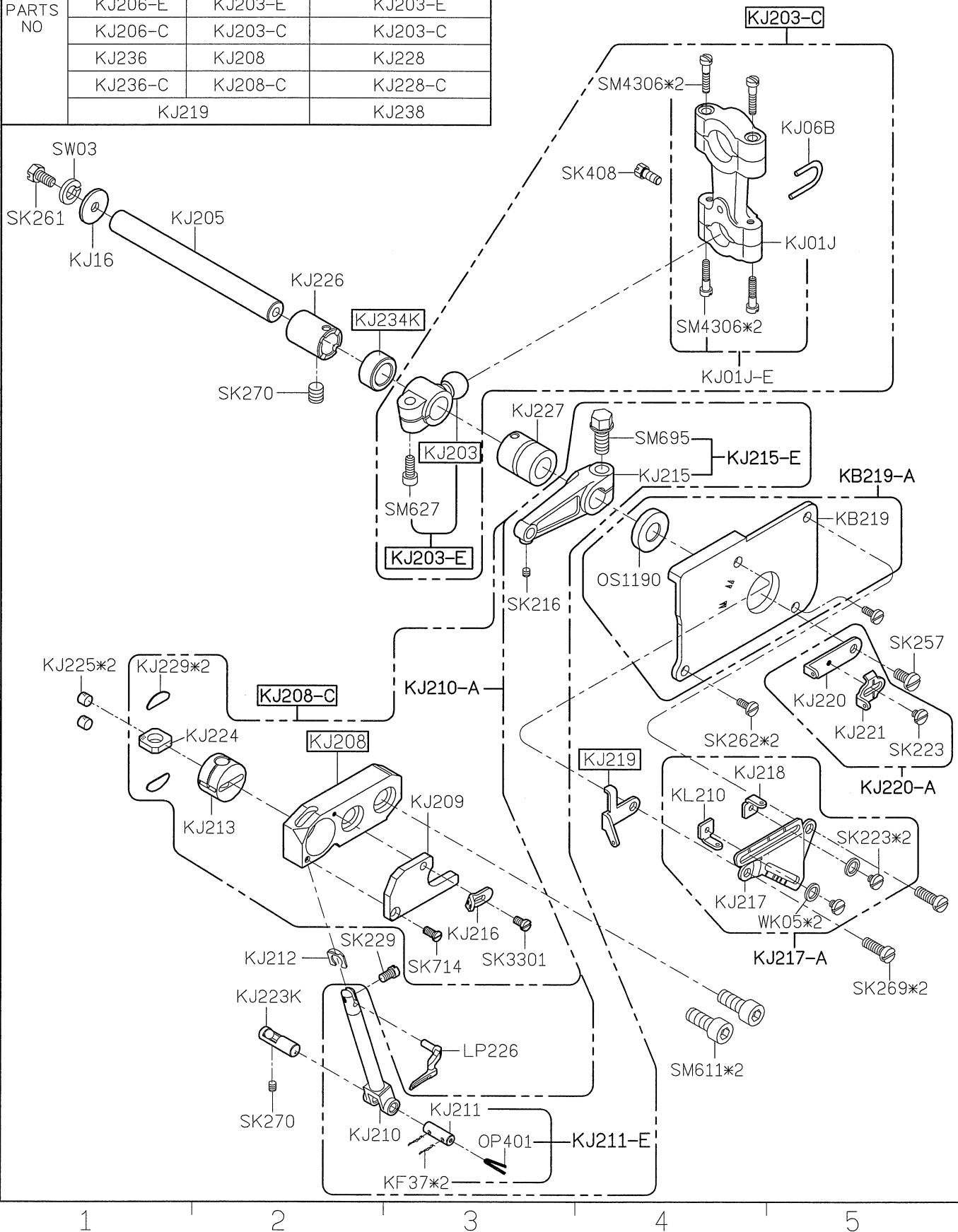
A

B

C

D

E

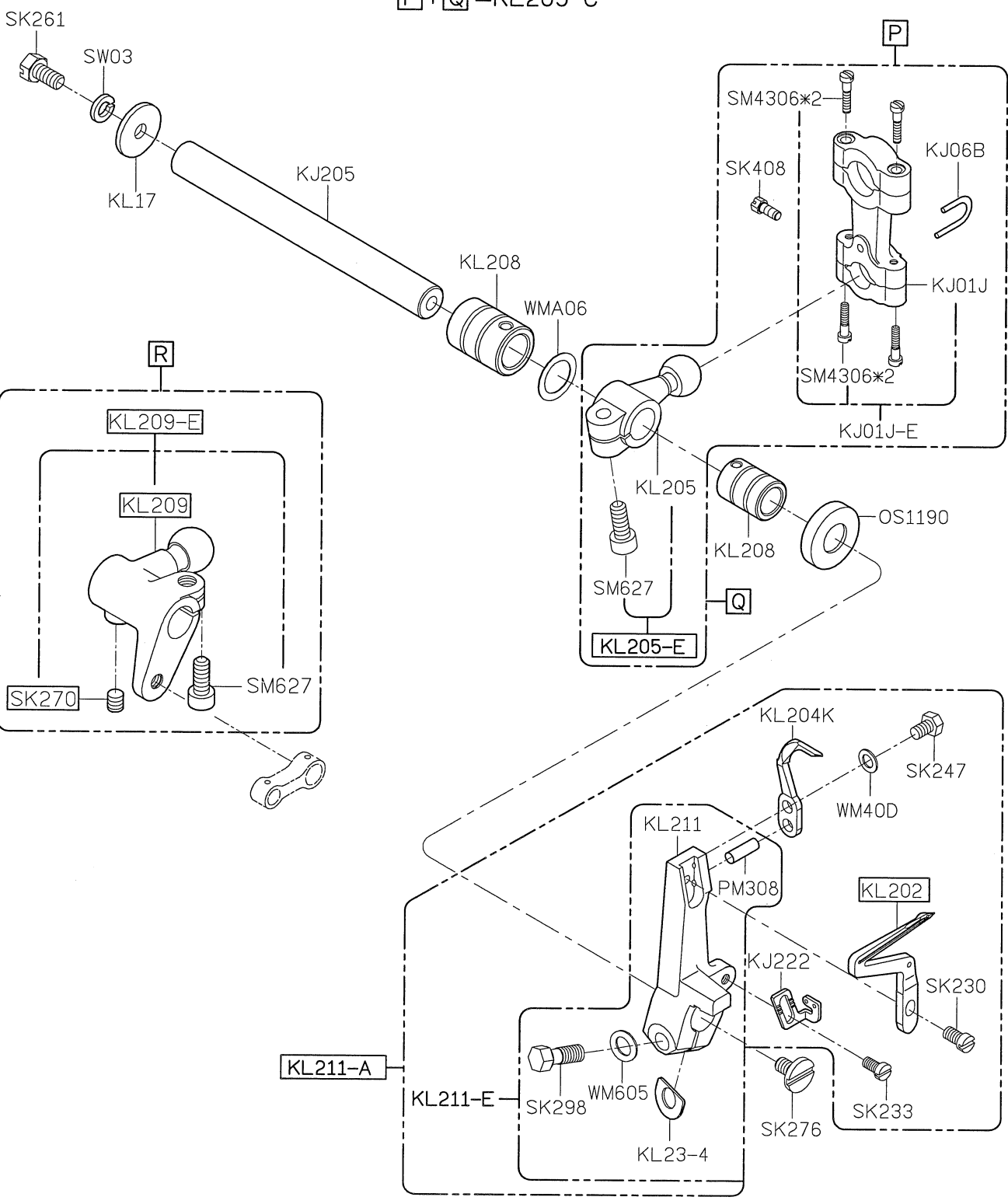


<b>SIRUBA</b> PARTS LIST	Series	Parts Group	Subclass / Remark	Page
	700QD/988QD	<b>KL</b>		1/1
	700Qe/988Qe			Date
				2016/10/12

MODEL	#3/#4	#5/#6	M7
PARTS NO	KL202		KL202A
	KL211-A		KL211-A1
	KL205	KL209	
		SK270	
	KL205-E	KL209-E	
	KL205-C	KL209-C	

KL KL KM  
 [P]+[R]+[S]=KL209-C  
 KL KL  
 [P]+[Q]=KL205-C

A  
B  
C  
D  
E



KM KL KL

$\boxed{S} + \boxed{R} + \boxed{P} = \text{KL209-C}$

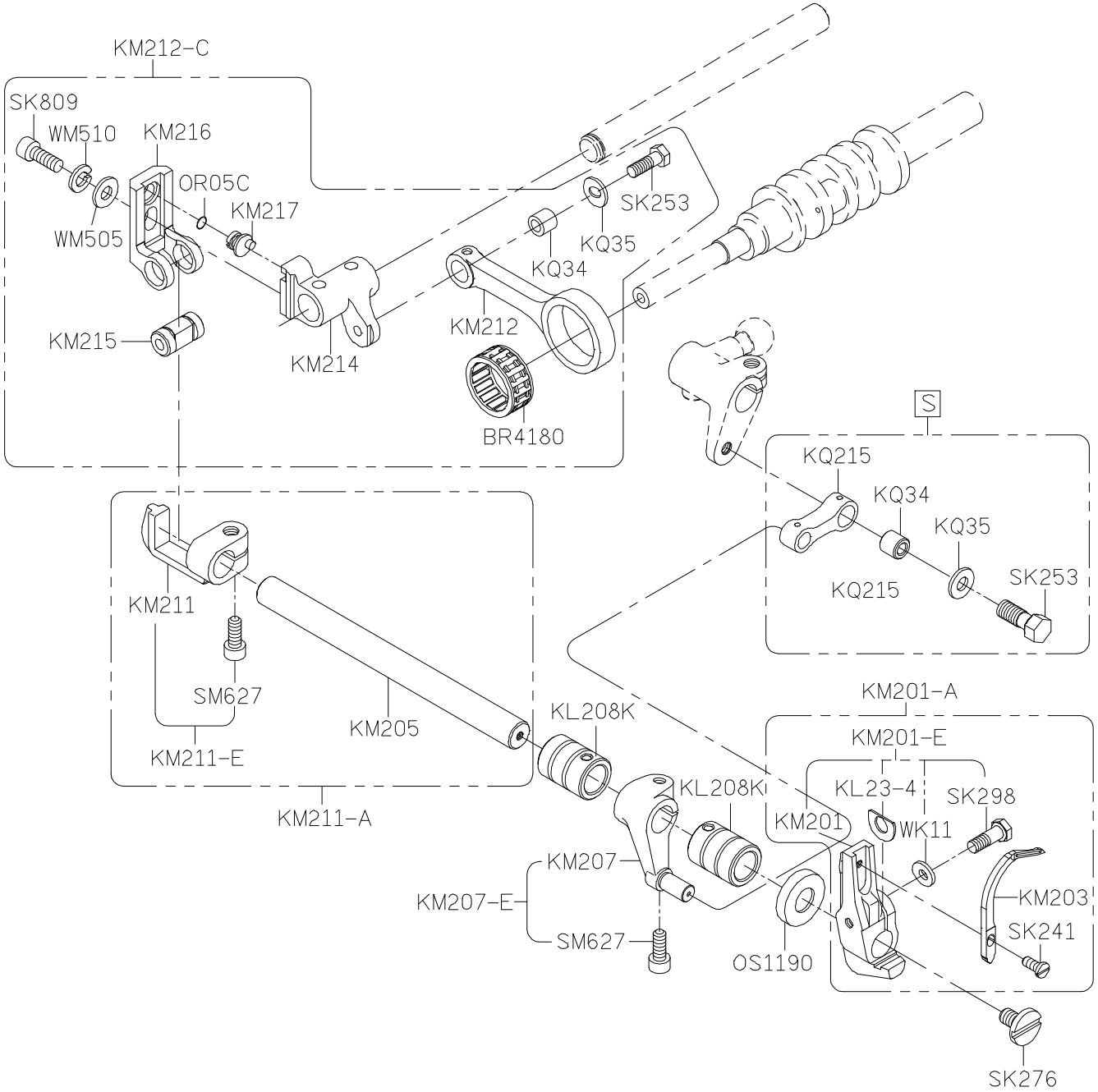
A

B

C

D

E



**SIRUBA**

**PARTS LIST**

**Series**

**700QD/988QD  
700Qe/988Qe**

**Parts Group**

**KN**

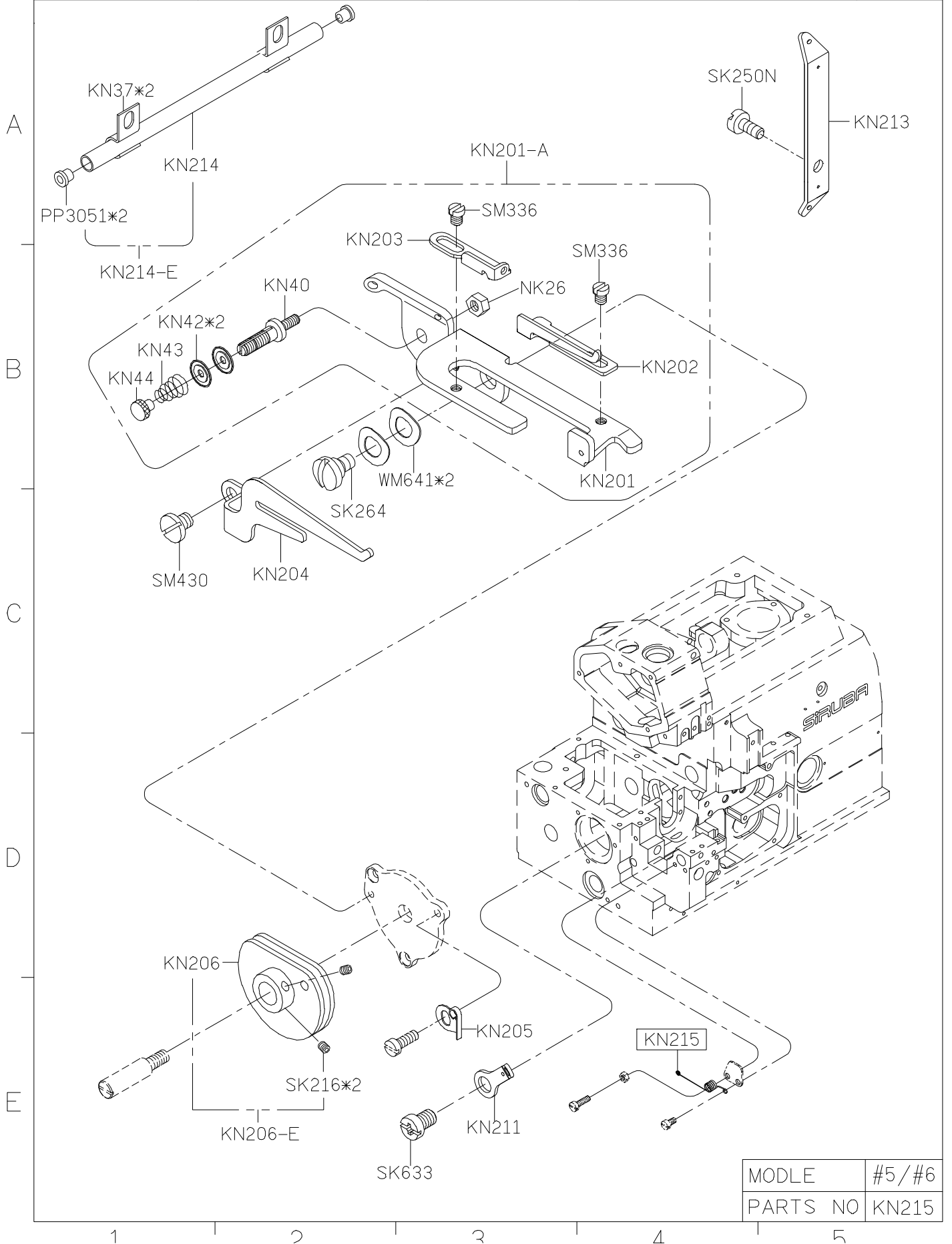
**Subclass / Remark**

**Page**

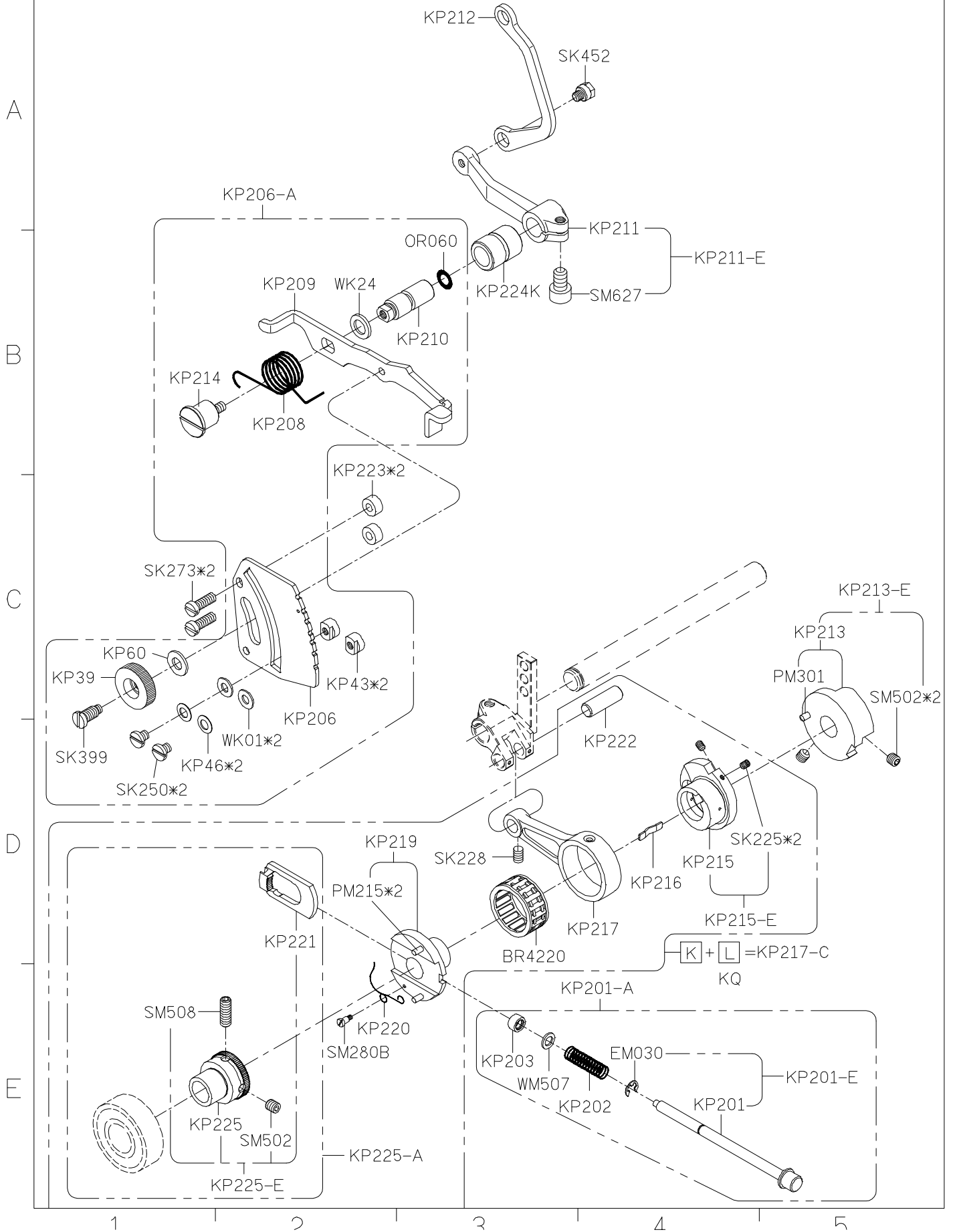
**1/1**

**Date**

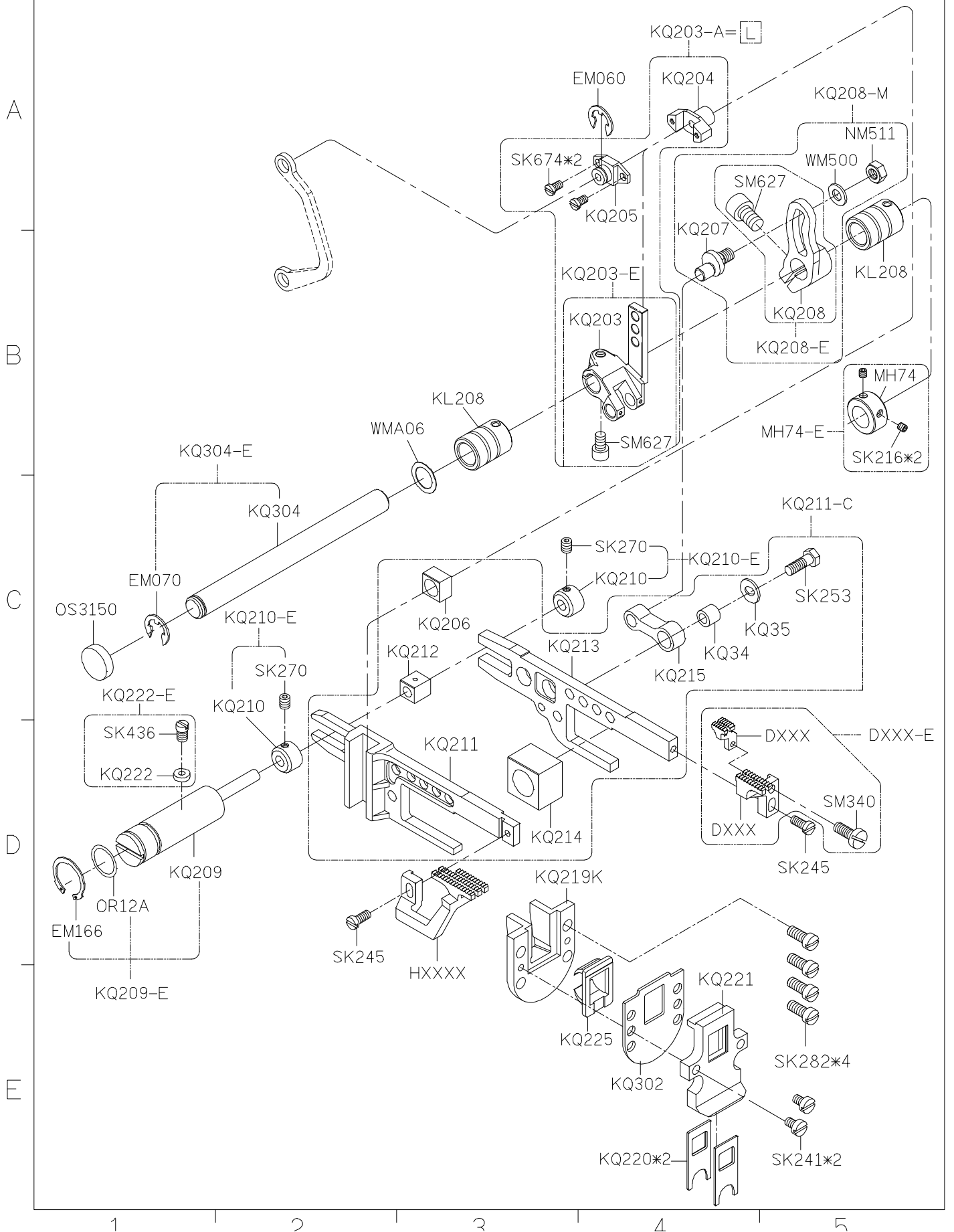
**2014/04/25**



MODEL	#5/#6
PARTS NO	KN215







**SIRUBA****PARTS LIST**

Series

**700QD/988QD  
700Qe/988Qe**

Parts Group

**KR**

Subclass / Remark

Page

**1/1****Date****2014/06/26**

MODEL	#3/#4	#5/#6
PARTS NO	KR202	KR218
	KR202-E	KR218-E
	KR206	KR221
	KR206-A	KR221-A
	KR209	KR219
	KR209-A	KR219-A

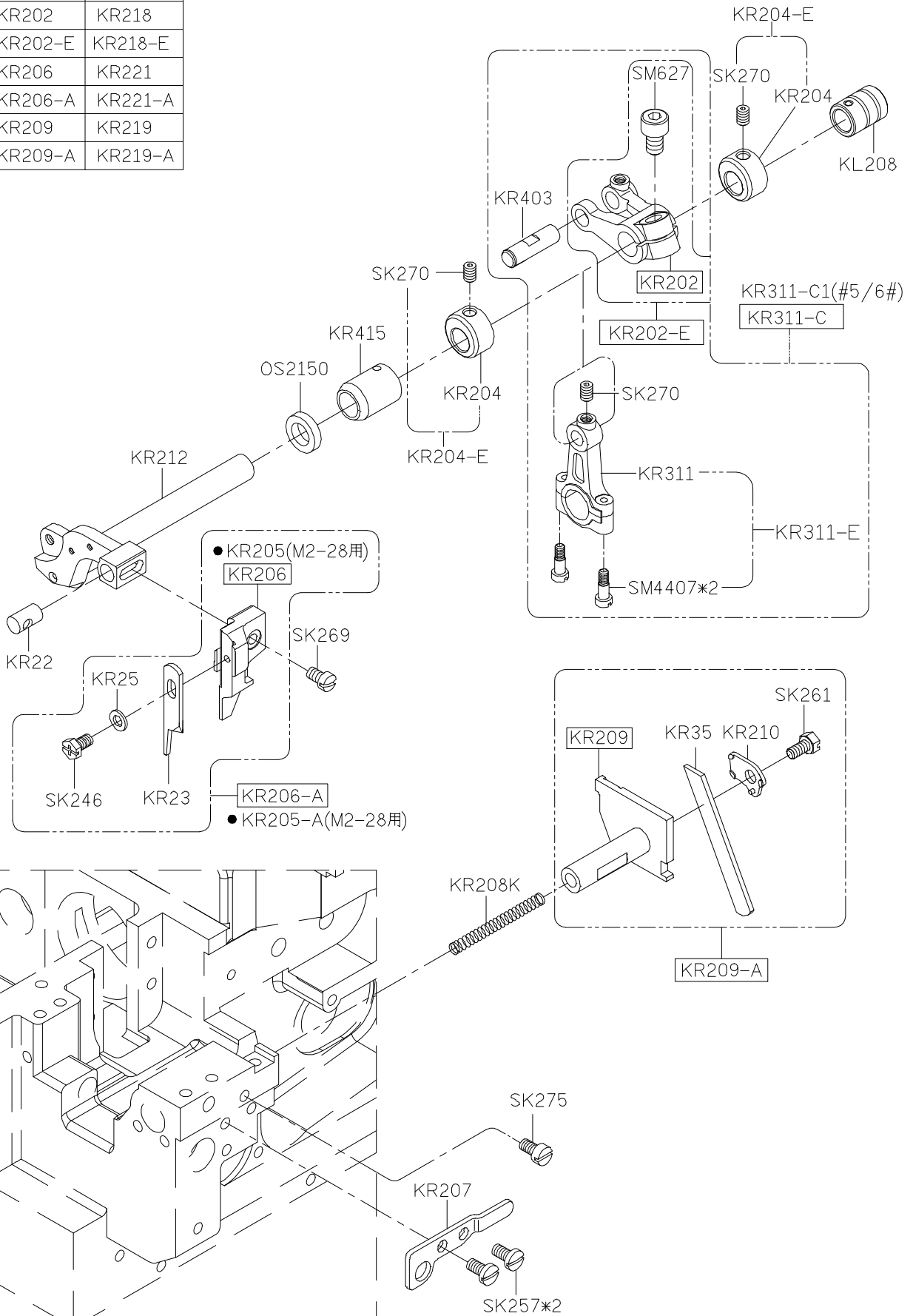
A

B

C

D

E



1

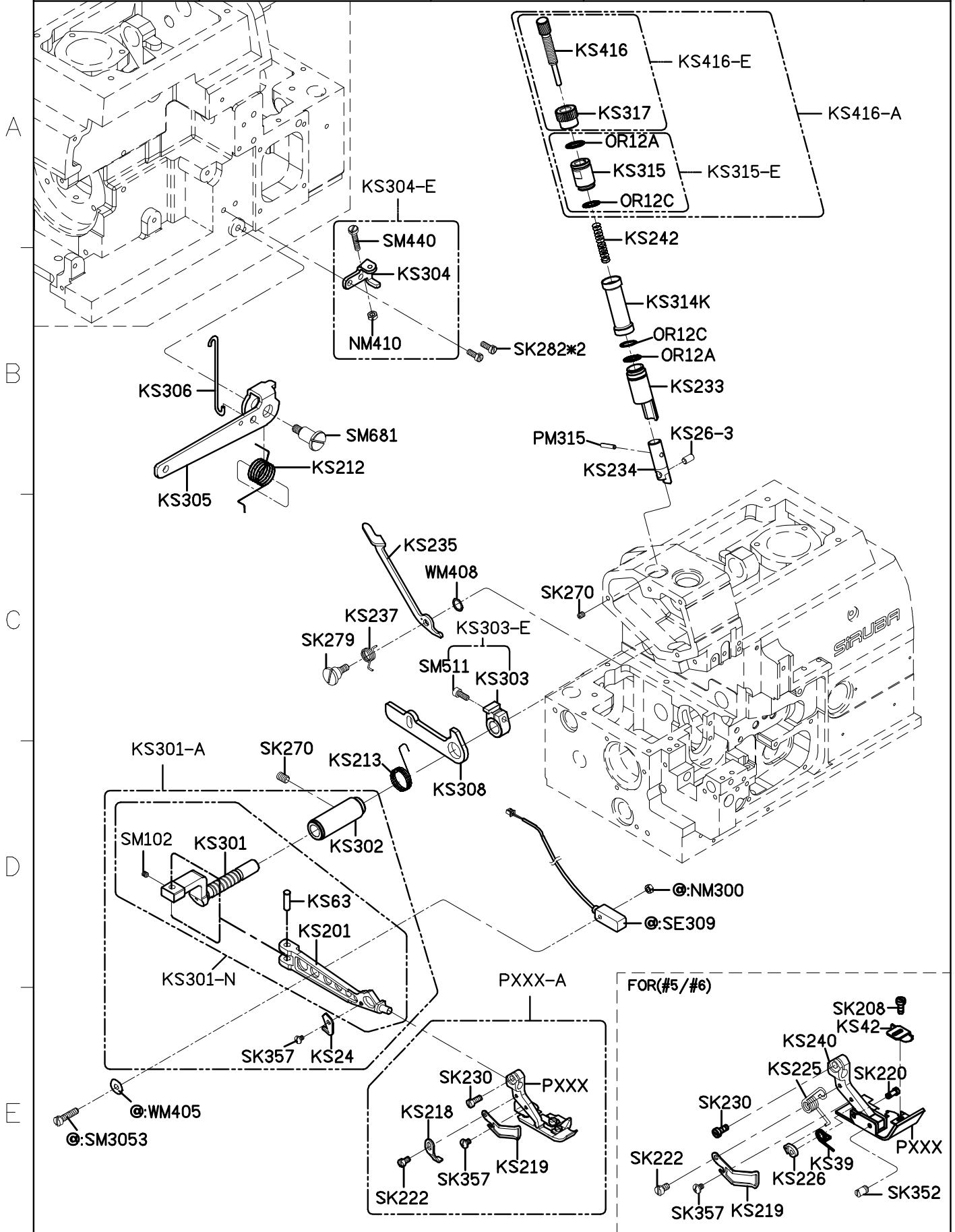
2

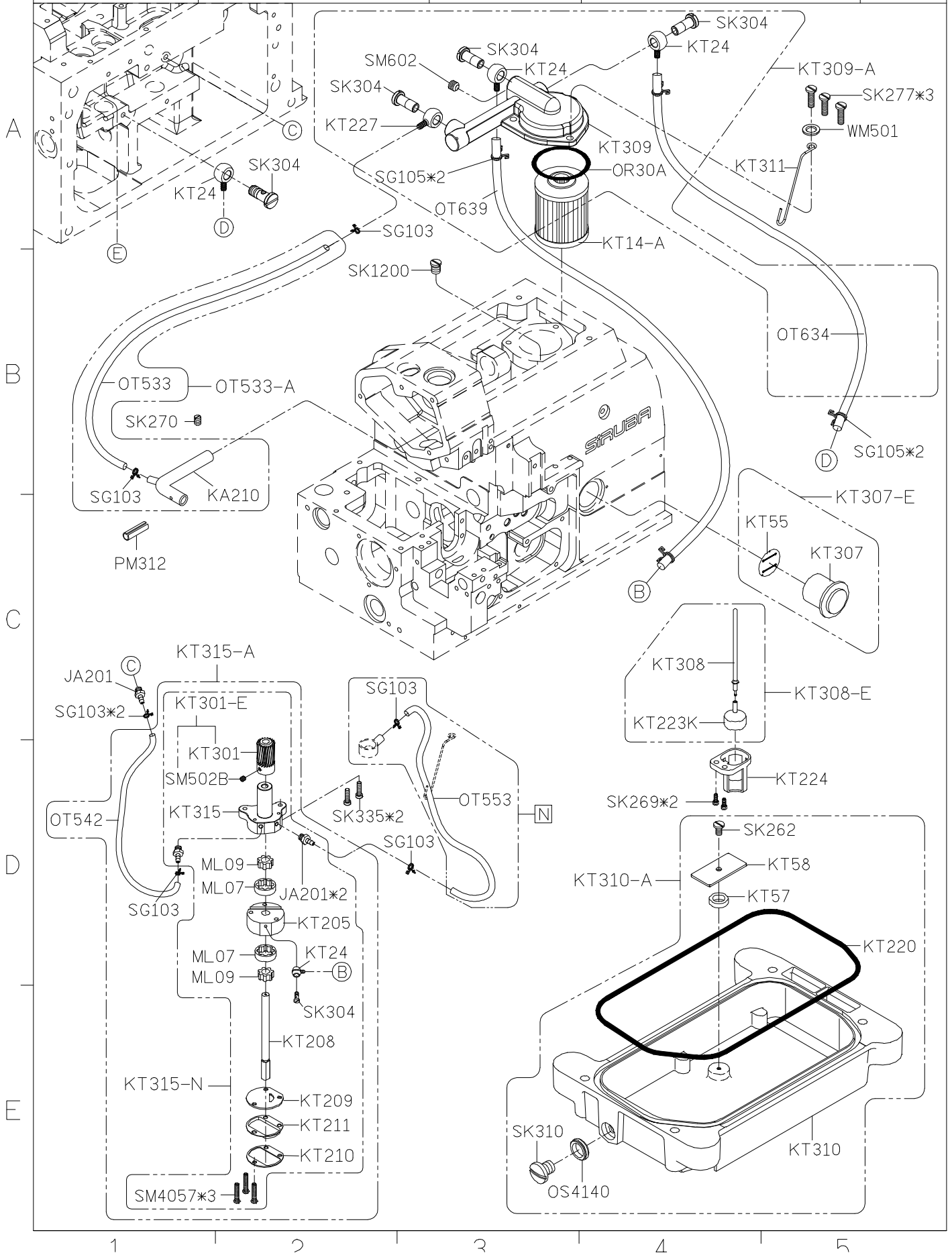
3

4

5

SIRUBA PARTS LIST	Series	Parts Group	Subclass / Remark	Page
	700QD/988QD	KS	@: Use for 700QD/988QD	1/1
	700Qe/988Qe			Date
				2016/01/25





**SIRUBA****PARTS LIST****Series****700QD/988QD  
700Qe/988Qe****Parts Group****KU****Subclass / Remark****Page**

1/1

**Date**

2015/11/18

MODEL	#3/#4	#5/#6
PARTS NO	KU207	KU209
	KU206	KU211
	KU203-4	KU203-5
	SK277	SK437

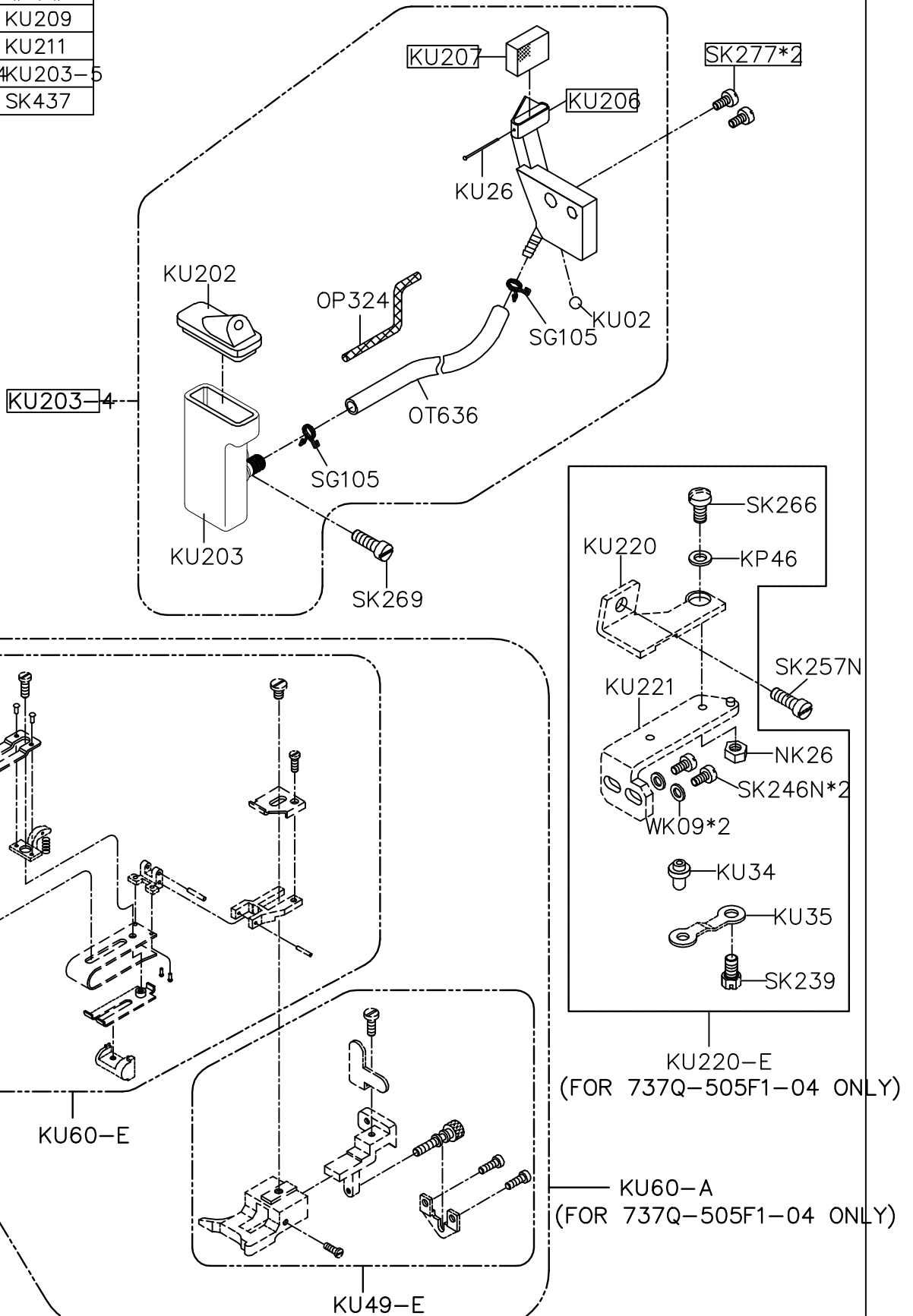
A

B

C

D

E



1

2

3

4

5

SIRUBA PARTS LIST	Series	Parts Group	Subclass / Remark	Page
	拷克	KW		1/4
	Overlock			Date
	含MO6800系列			2017/01/23

KW40E-3

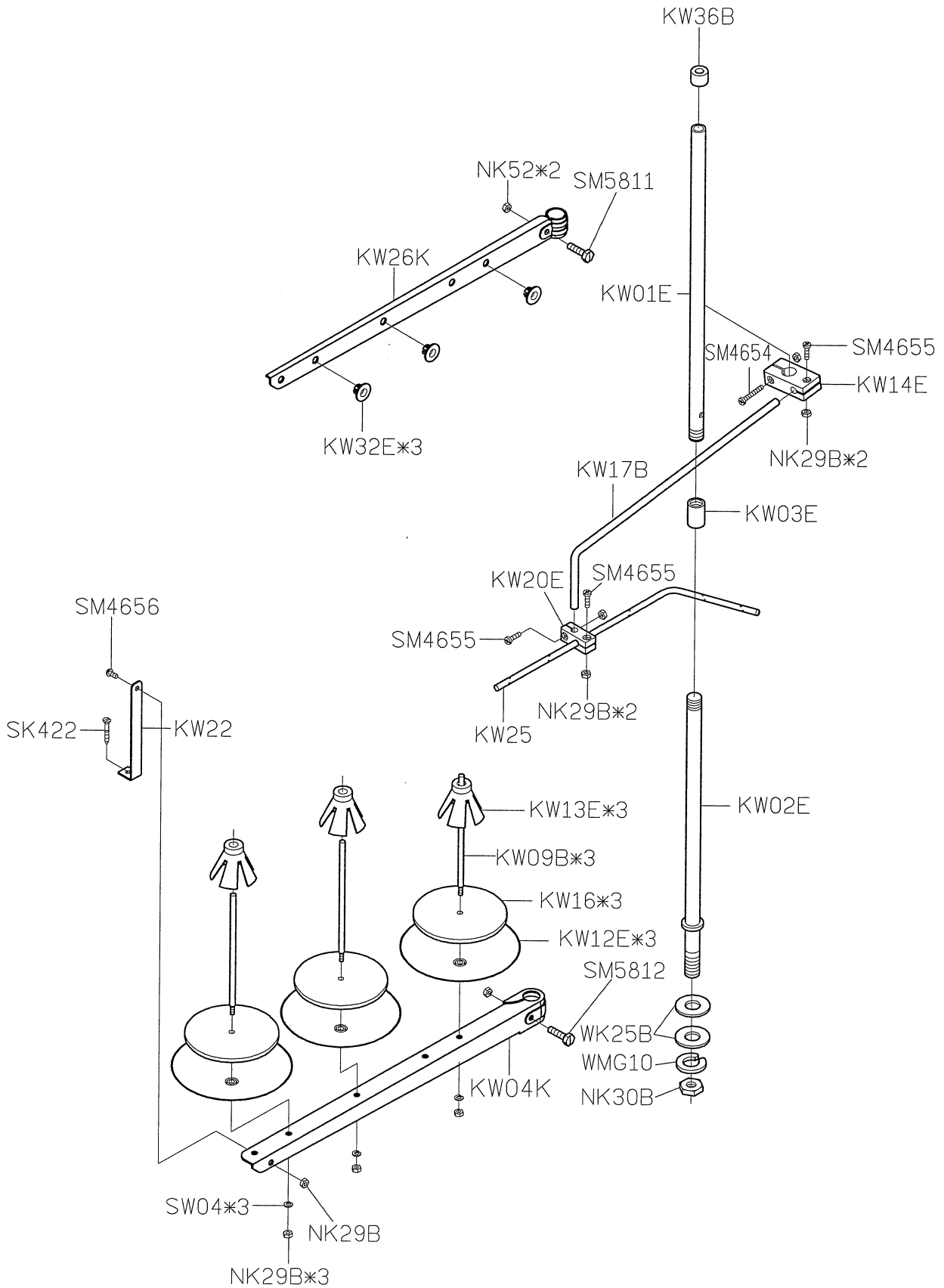
A

B

C

D

E



1

2

3

4

5

<b>SIRUBA</b> PARTS LIST	Series	Parts Group	Subclass / Remark	Page
	拷克	<b>KW</b>		2/4
	Overlock			Date
	含MO6800系列			2017/01/23

KW40E-4

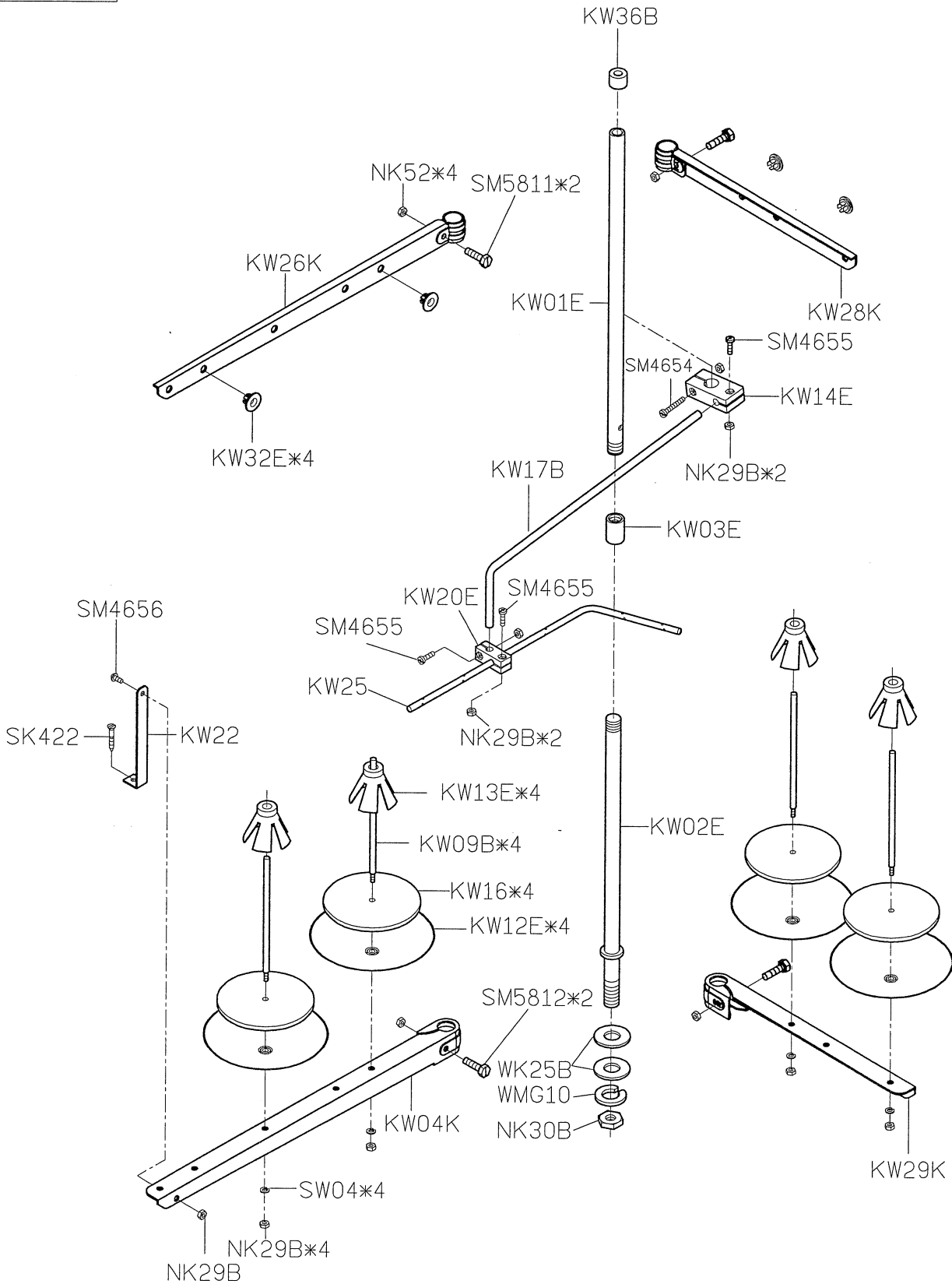
A

B

C

D

E



1

2

3

4

5

<b>SIRUBA</b> PARTS LIST	Series	Parts Group	Subclass / Remark	Page
	拷克	<b>KW</b>		3/4
	Overlock			Date
	含MO6800系列			2017/01/23

KW40E-5

A

B

C

D

E

KW36B

NK52\*4

SM5811\*2

KW26K

KW01E

KW28K

KW32E\*5

SM4654

SM4655

KW14E

KW17B

NK29B\*2

KW03E

SM4656

KW20E

SM4655

SM4655

NK29B\*2

KW23

SK422

KW22

KW13E\*5

KW09B\*5

KW16\*5

KW12E\*5

SM5812\*2

KW02E

WK25B

WMG10

NK30B

KW04K

KW29K

SW04\*5

NK29B

NK29B\*5

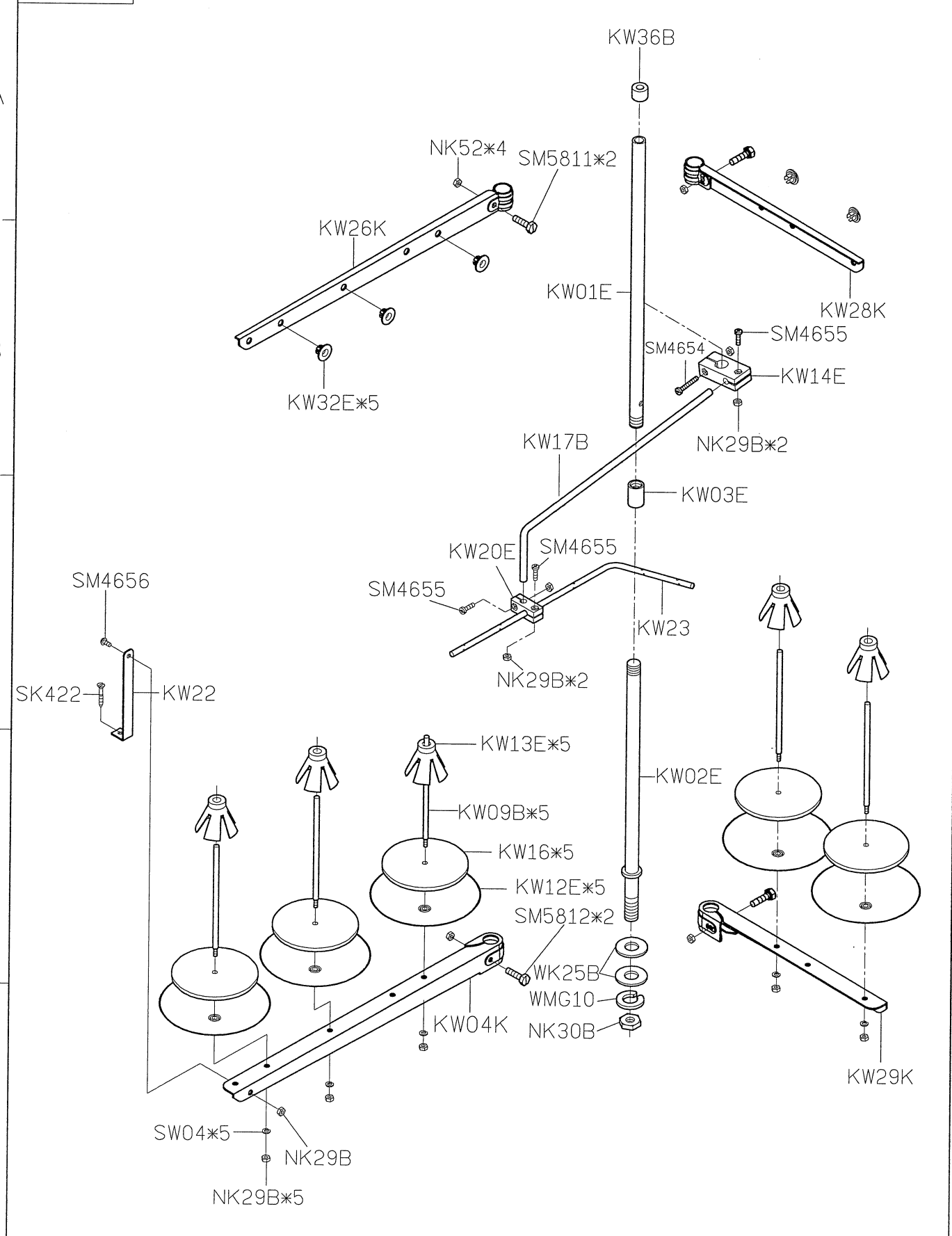
1

2

3

4

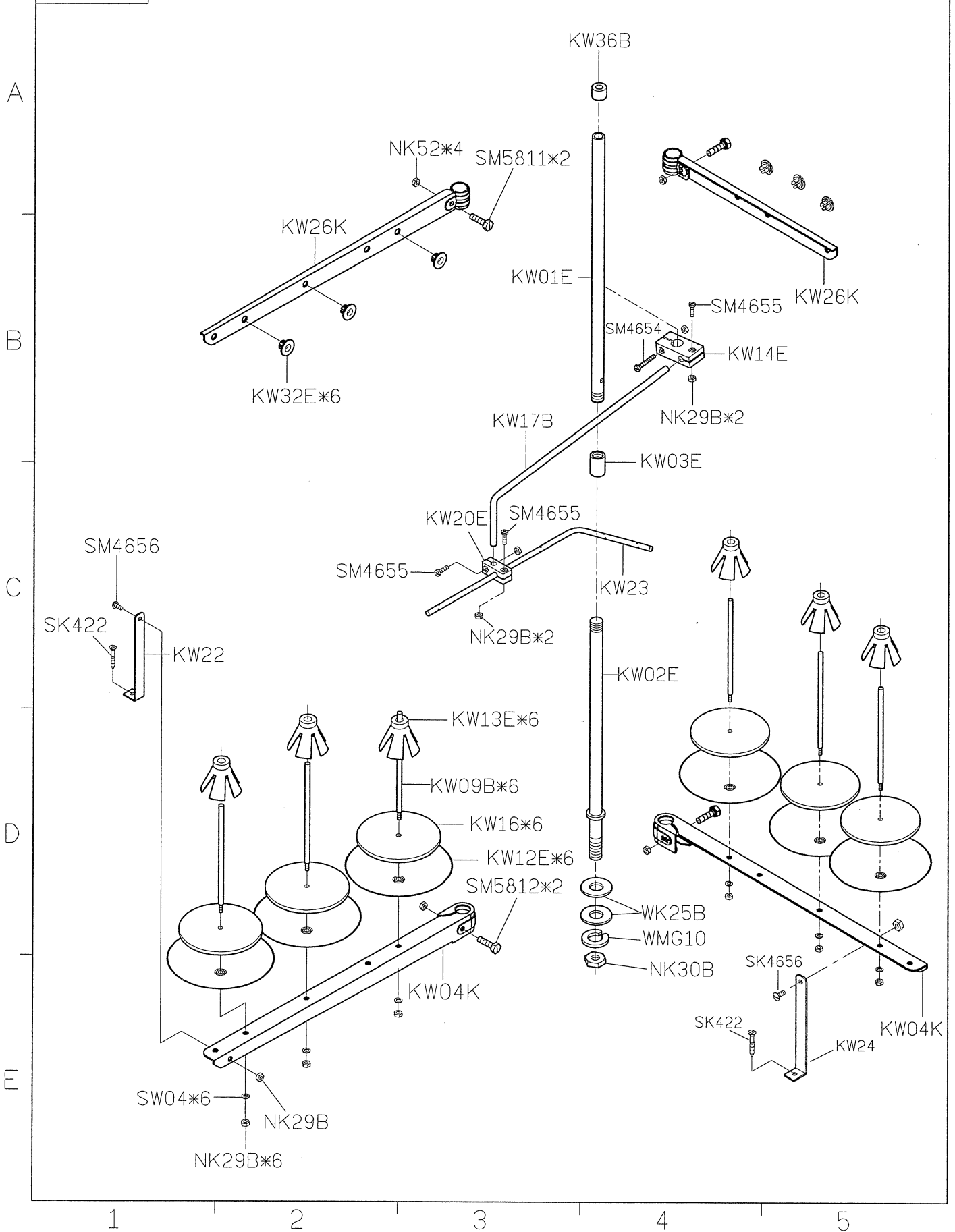
5




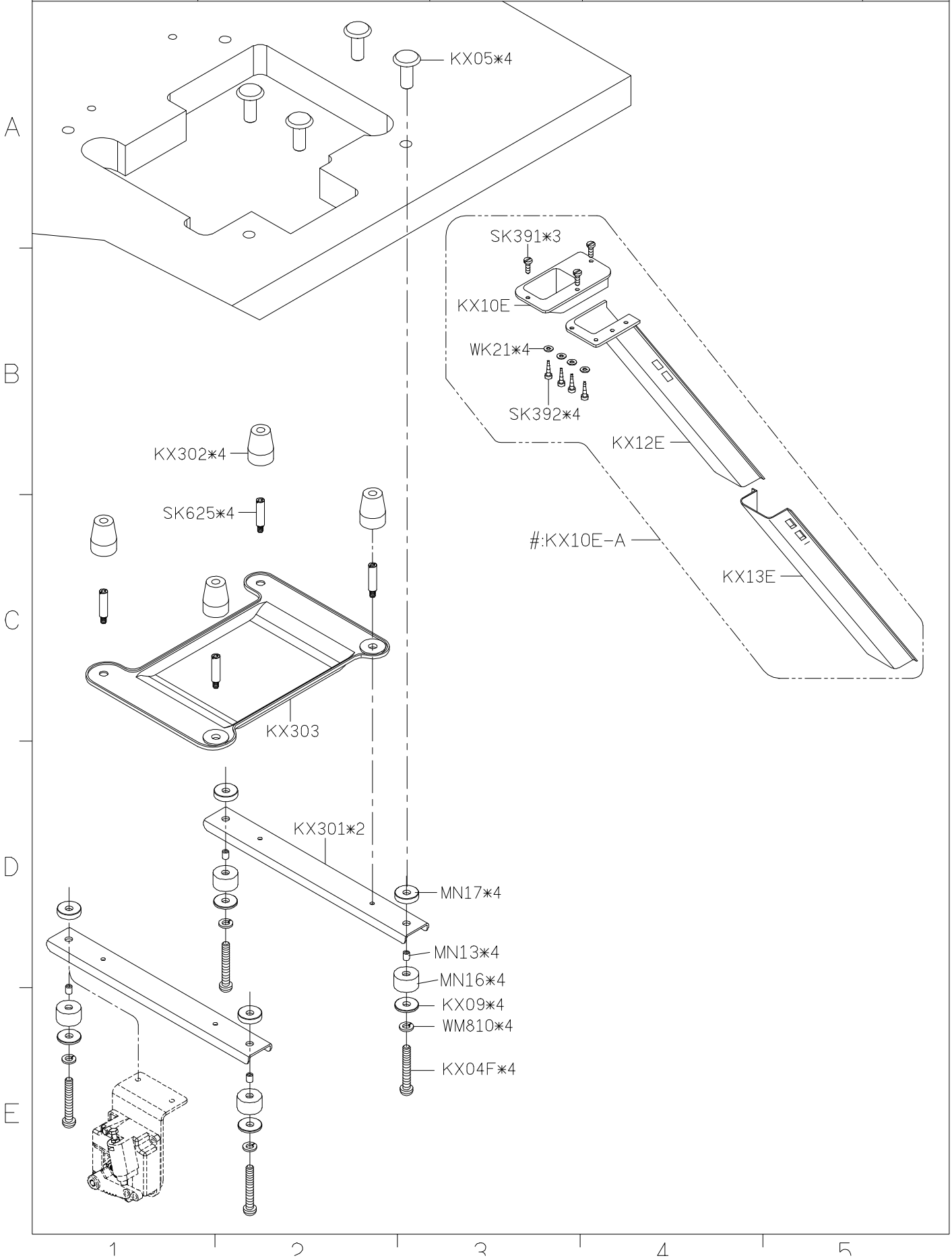


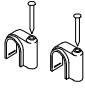
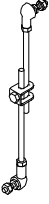

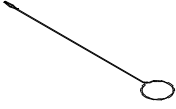
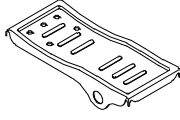


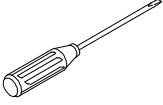

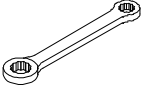
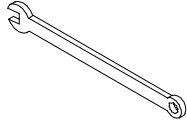
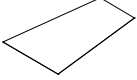

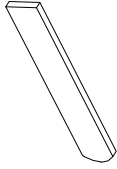




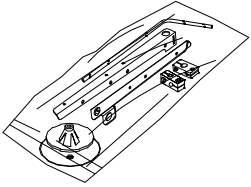
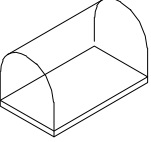





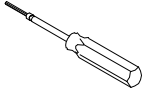

<b>SIRUBA</b> PARTS LIST	Series	Parts Group	Subclass / Remark	Page
	拷克	<b>KW</b>		4/4
	Overlock			Date
	含MO6800系列			2017/01/23

KW40E-6



<b>SIRUBA</b> <b>PARTS LIST</b>	Series	Parts Group	Subclass / Remark	Page
	700QD/988QD		#: Use for 700Qe/988Qe	1/1
	700Qe/988Qe			Date
				2014/07/15



SIRUBA PARTS LIST	Series		Parts Group	Subclass / Remark		Page	
	700QD/988QD		KY	@: Use for 700QD/988QD		1/1	
	700Qe/988Qe					Date	
						2014/04/25	
A	ANC08*2 固定架 	BS508-A 固定架 	DCX27#9/11/14*5 車針 	KY19(5線用) 穿線器 	KY20D-A 腳踏板 	KY21-A/MY21-A 鉤子/鍊條 	
B	FU105 保險絲 	LY33 一字起子 	LY35 一字起子 	KY23-A KY23 內六角板手 		KY09 開口板手 	KY30 針板紙 
C	SK216 螺絲 	KR35 下刀片 	KT14-A 濾油器 	KY201 工具袋 	KZ03 乾燥劑 	KZ410D 光碟片 	
D	KW40E-3/-4/-5/-6 線架 	KY01-1 防塵罩 	@:KZ411 參數說明表 				
E	KY02F-A 油罐 	KY03 油壺 	KY04 漏斗 				
	KY05-A 油壺 	KY14 內六角螺絲起子 	KY18 鑷子 				
	1	2	3	4	5		

**SIRUBA**

**PARTS LIST**

**Series**

**700QD/988QD  
700Qe/988Qe**

**Parts Group**

**KZ**

**Subclass / Remark**

@: Use for 700QD/988QD  
#: Use for 700Qe/988Qe

**Page**

**1/1**

**Date**

**2014/04/25**

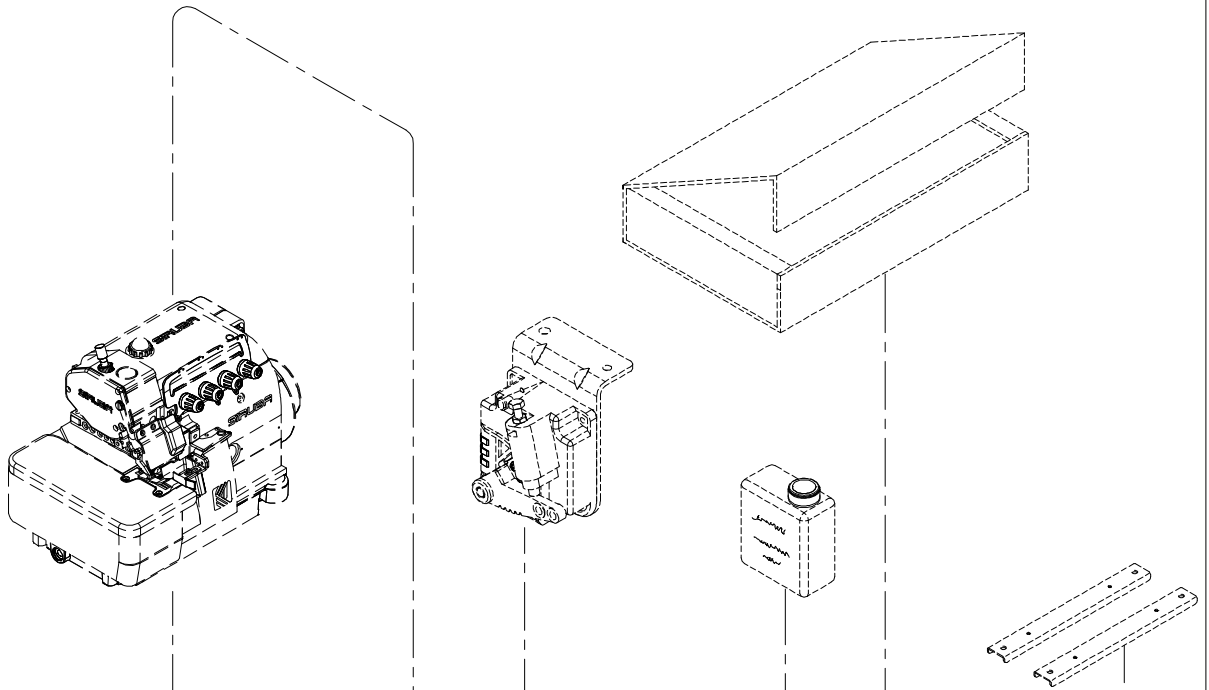
A

B

C

D

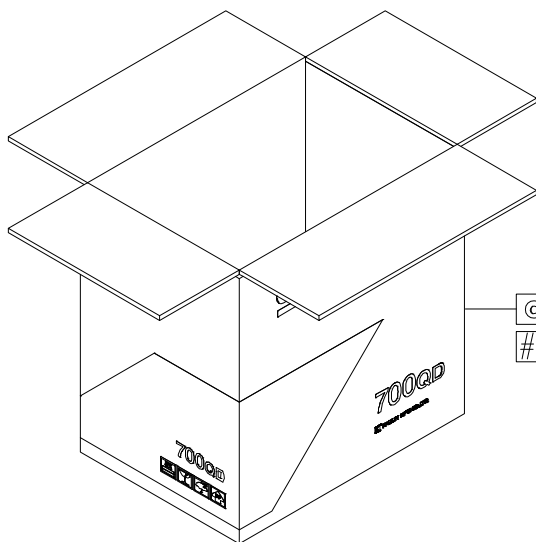
E



KZ303

KZ302

KZ302-A



@:KZ401

#:KZ301E

MODEL	700QD	988QD
PARTS NO	KZ401	KZ401C
MODEL	700Qe	988Qe
PARTS NO	KZ301E	KZ301CE

1

2

3

4

5

**SIRUBA**

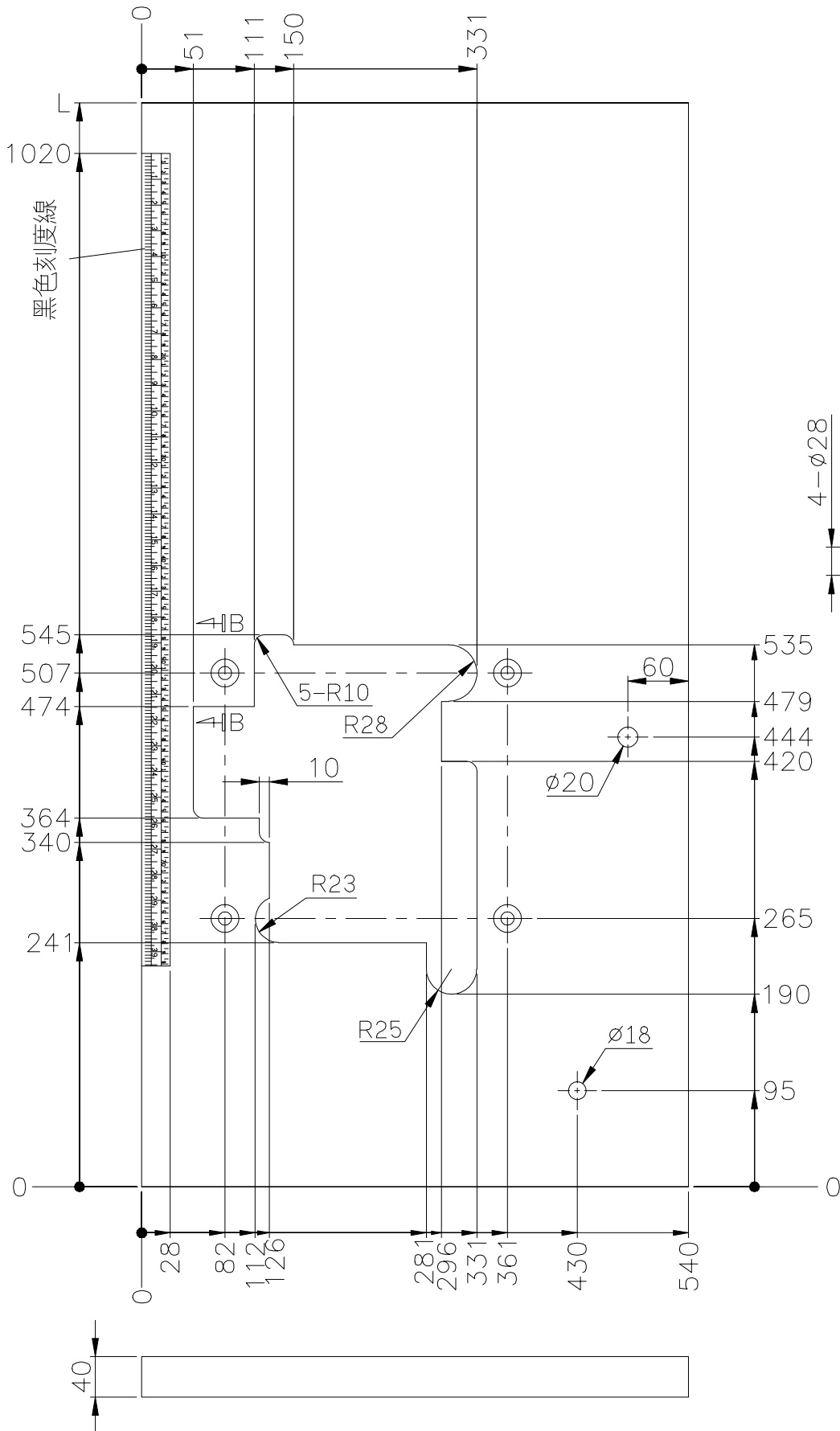
TABLE  
CUT - OUT

Series  
**700Q/700QD/700Qe**  
**988Q/988QD/988Qe**

Item Code  
**700Q-T**

Subclass Remark

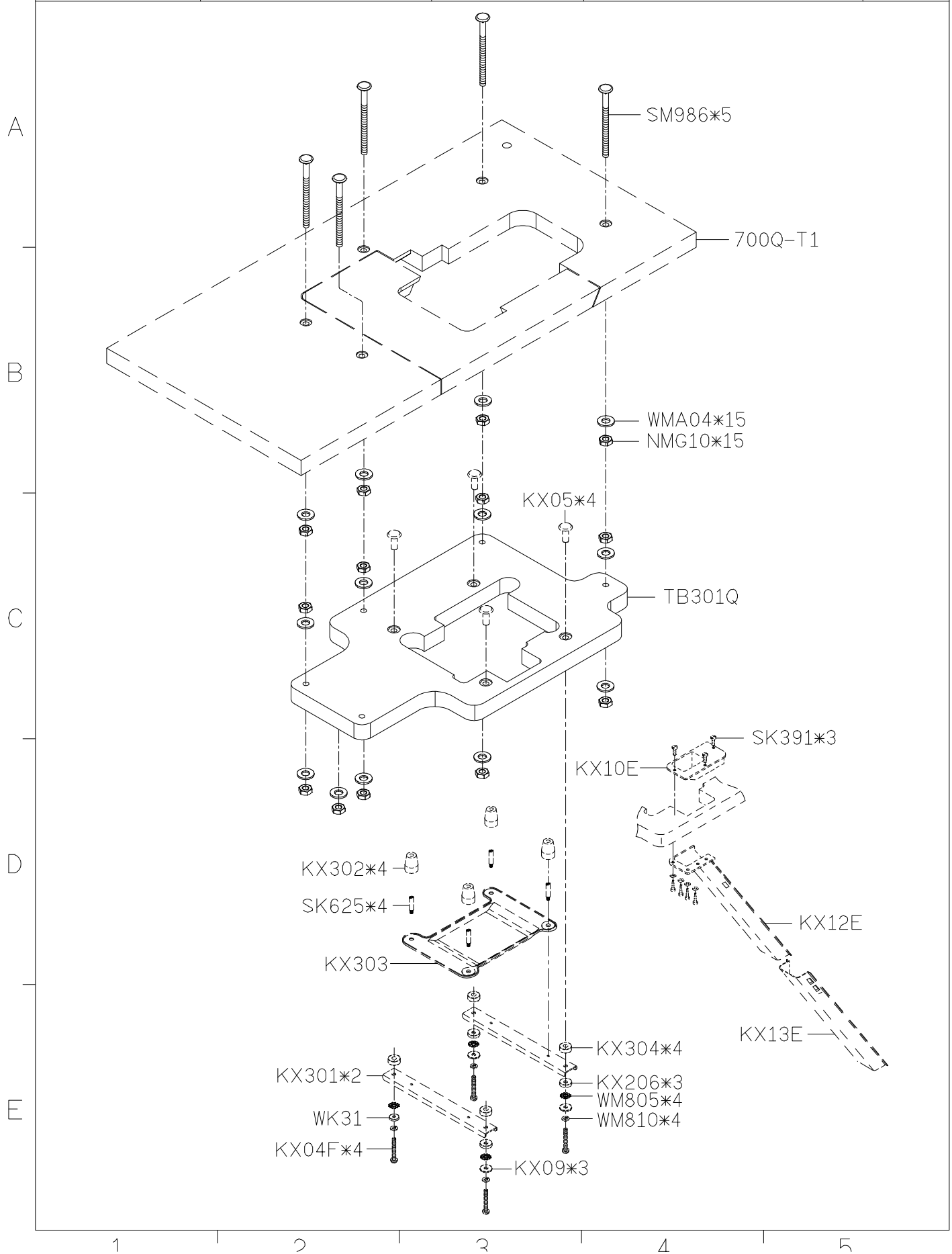
Mounting  
Mon-submerged  
Date  
**2015/02/02**



單位/UNIT: mm  
所有尺寸公差/TOLERANCE:  $\pm 2$   
長度(L): 1070/重量(W): 11.3Kg  $\pm 5\%$   
長度(L): 1200/重量(W): 12.3Kg  $\pm 5\%$



SIRUBA PARTS LIST	Series	Parts Group	Subclass / Remark	Page
	700Q/QD/988Q/QD	TB-Q1		1/1
	700Qe/988Qe			Date
	2014/04/25			



**SIRUBA**  
TABLE  
CUT - OUT

**Series**  
700Q/700QD/700Qe  
988Q/988QD/988Qe

**Item Code**  
TB301Q

**Subclass Remark**  
• For All 700QD/Qe series  
excluding BK, BKS models  
• Used with 700Q-T1

**Mounting**  
Fully-submerged  
**Date**  
2016/05/03

單位/UNIT:mm

所有尺寸公差/TOLERANCE:±2

重量(W):4.25Kg±5%

