

MODEL : DU-1181N (Machine number : 8D7EJ01536~)

List No : 1563-02

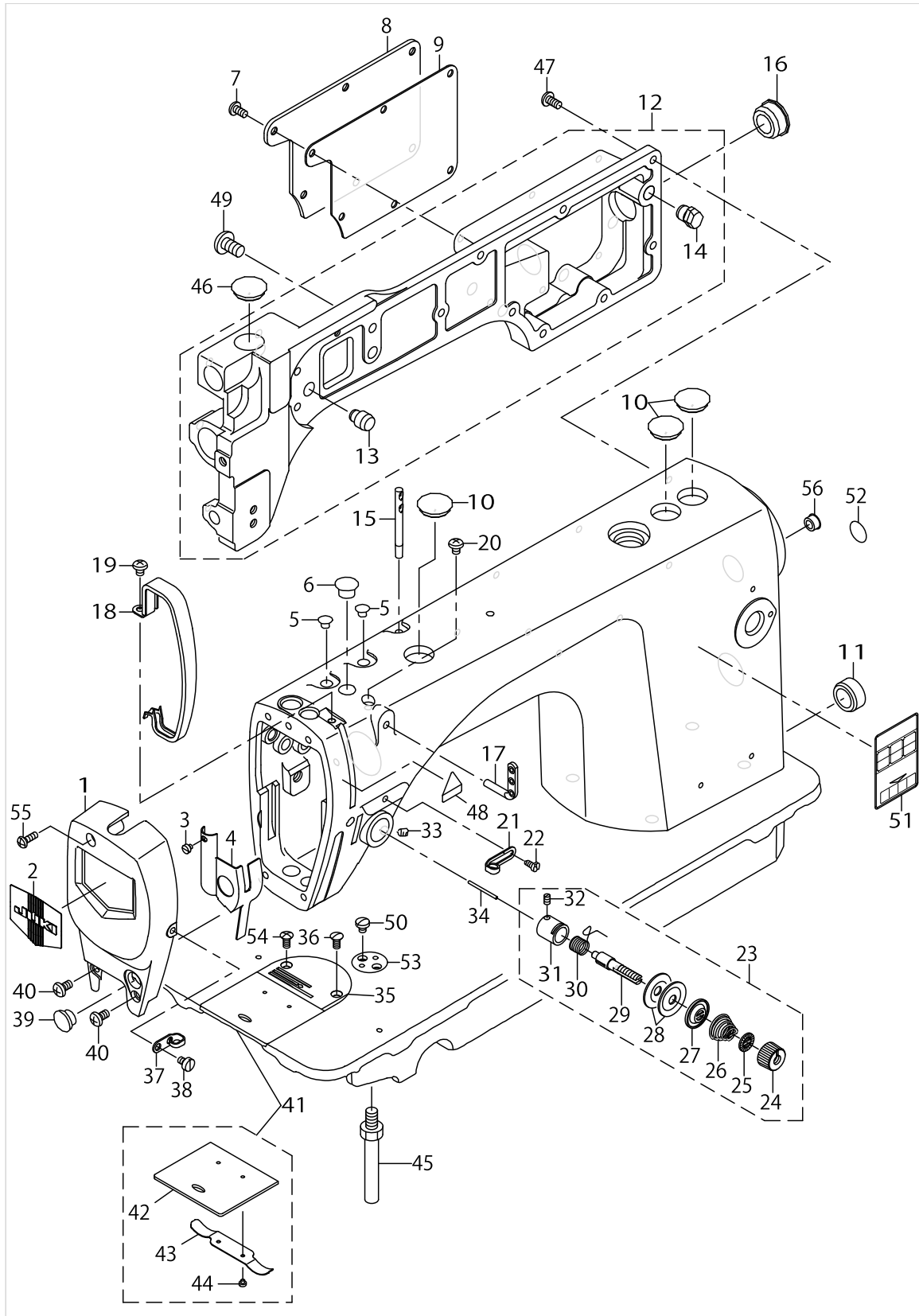
PARTS LIST

Published:08/01/2017

CONTENTS

| | |
|---|----|
| MACHINE FRAME & MISCELLANEOUS COVER COMPONENTS | 1 |
| MAIN SHAFT & THREAD TAKE-UP LEVER COMPONENTS | 5 |
| NEEDLE BAR, UPRIGHT SHAFT & HOOK DRIVING SHAFT COMPONENTS | 7 |
| HAND LIFTER COMPONENTS | 9 |
| FEED MECHANISM COMPONENTS..... | 11 |
| UPPER FEED MECHANISM COMPONENTS | 15 |
| OIL LUBRICATION COMPONENTS | 19 |
| OIL RESERVOIR COMPONENTS | 23 |
| BELT COVER & BOBBIN COMPONENTS..... | 25 |
| THREAD STAND COMPONENTS..... | 27 |
| HOW TO MAKE USE OF THIS PARTS LIST | 29 |

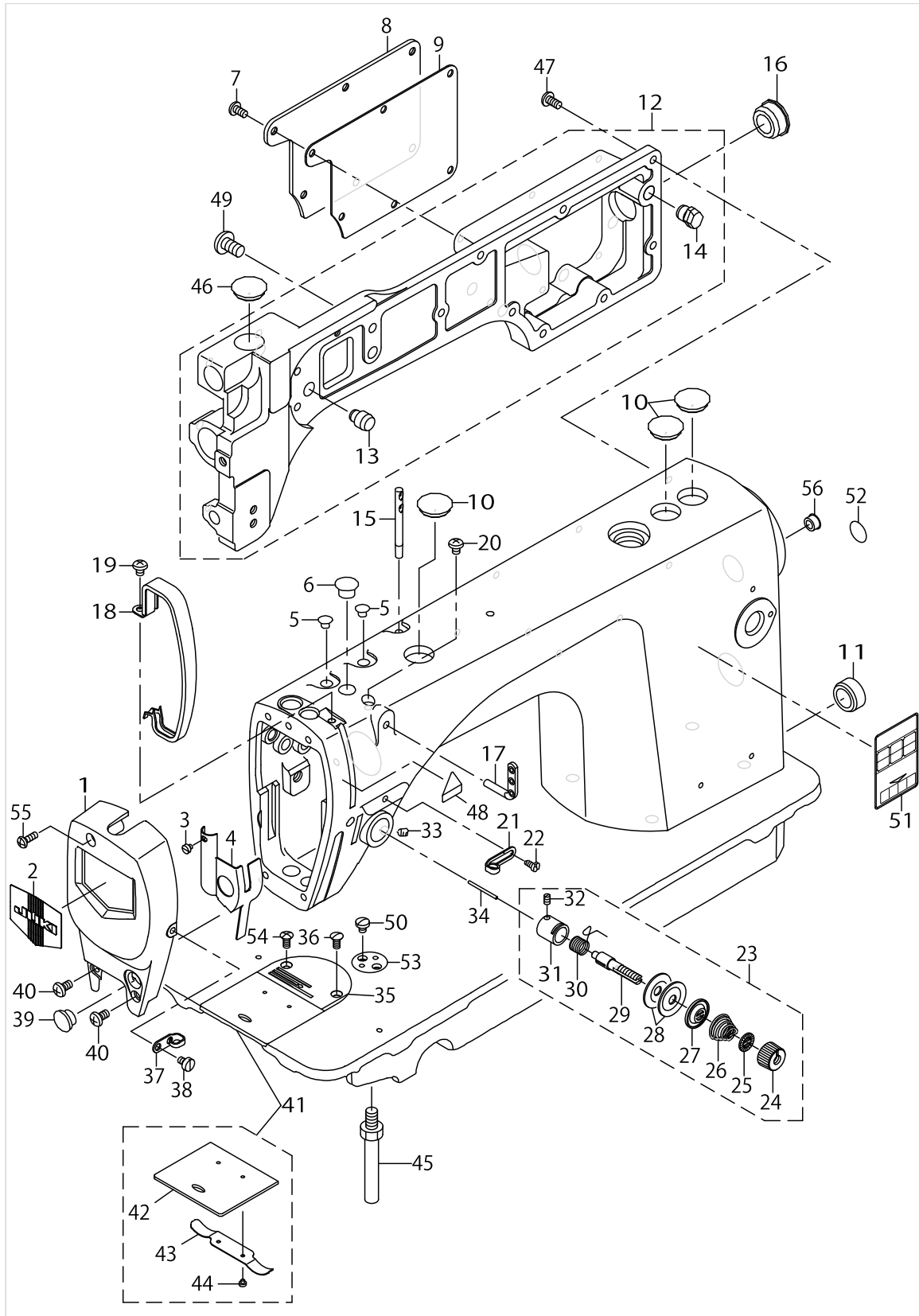
MACHINE FRAME & MISCELLANEOUS COVER COMPONENTS



MACHINE FRAME & MISCELLANEOUS COVER COMPONENTS

| No. | Supply Code | Parts No. | Replacement | Parts name | Remarks | Choice | Step | Level | Cons | Qty | Rep. QTY |
|-----|-------------|-------------|-------------|--------------------------------|---------|--------|------|-------|------|-----|----------|
| 1 | | 40022646 | | FACE PLATE | | | | | | 1 | |
| 2 | | 22902506 | | FACE PLATE | | | | | | 1 | |
| 3 | | SS6080320SP | | SCREW 1/8-44 L=2.5 | | | | | | 1 | |
| 4 | | 40021790 | | FACE PLATE OIL SHIELD ASM. | | | | | | 1 | |
| 5 | | TA0850604R0 | | RUBBER PLUG | | | | | | 2 | |
| 6 | | TA1250705R0 | | RUBBER PLUG | | | | | | 1 | |
| 7 | | SS4120915SP | | SCREW 3/16-28 L=9 | | | | | | 6 | |
| 8 | | 40022647 | | WINDOW PLATE | | | | | | 1 | |
| 9 | | 40021567 | | GASKET | | | | | | 1 | |
| 10 | | TA2050406R0 | | RUBBER PLUG | | | | | | 3 | |
| 11 | | TA2101002R0 | | RUBBER PLUG | | | | | | 1 | |
| 12 | | 40021907 | | UPPER FEED BASE COMPL. | | | | | | 1 | |
| 13 | | 40021592 | | PIN(A) | | | | * | | 1 | |
| 14 | | 40021593 | | PIN(B) | | | | * | | 1 | |
| 15 | | 22958300 | | NEEDLE THREAD GUIDE PIN | | | | | | 1 | |
| 16 | | TA2351004R0 | | RUBBER PLUG | | | | | | 1 | |
| 17 | | 40023295 | | THREE HOLE THREAD EYELET | | | | | | 1 | |
| 18 | | 11415205 | | THREAD TAKE-UP LEVER COVER(JE) | | | | | | 1 | |
| 19 | | SS4120615SP | | SCREW 3/16-28 L=6 | | | | | | 1 | |
| 20 | | SS4120615SP | | SCREW 3/16-28 L=6 | | | | | | 1 | |
| 21 | | 23626104 | | ARMTHREADGUIDEA | | | | | | 1 | |
| 22 | R | 11001500 | 22921001 | SCREW | | | | | | 1 | 1.00 |
| 23 | | 40085722 | | THREAD_TENSION_ASM. | | | | | | 1 | |
| 24 | | 22921308 | | THREAD TENSION NUT | | | | * | | 1 | |
| 25 | | 22921407 | | ROTATION STOPPER | | | | * | | 1 | |
| 26 | | 40085903 | | SPRING | | | | * | | 1 | |
| 27 | | 22921803 | | DISK STOPPER | | | | * | | 1 | |
| 28 | | 22921506 | | THREAD TENSION DISK | | | | * | | 2 | |
| 29 | | 22921209 | | THREAD TENSION POST | | | | * | | 1 | |
| 30 | | 22921605 | | THREAD TAKE-UP SPRING | | | | * | | 1 | |
| 31 | | 22945307 | | THREAD TENSION POST BASE | | | | * | | 1 | |
| 32 | | SS8090670SP | | SCREW 9/64-40 L=5.5 | | | | * | | 1 | |
| 33 | | SS8150710TP | | SCREW 15/64-28 L=7 | | | | | | 1 | |
| 34 | | 22920904 | | PIN | | | | | | 1 | |
| 35 | | 40021615 | | THROAT PLATE | | | | | | 1 | |
| 36 | | SS2110920TP | | SCREW 11/64-40 L=8.5 | | | | | | 1 | |
| 37 | | 22920607 | | ARMTHREADGUIDEB | | | | | | 1 | |
| 38 | | SS6110610TP | | SCREW 11/64-40 L=6 | | | | | | 1 | |
| 39 | | TA1250406R0 | | RUBBER PLUG D=12.5 L=4 | | | | | | 1 | |
| 40 | | SS4121015SP | | SCREW 3/16-28 L=10 | | | | | | 2 | |
| 41 | | 22901250 | | SLIDE PLATE ASM. | | | | | | 1 | |
| 42 | R | 22901201 | 22901250 | SLIDE PLATE | | | | * | | 1 | 1.00 |
| 43 | | 22901300 | | SLIDE PLATE SPRING | | | | * | | 1 | |
| 44 | | SS6060210SP | | SCREW 3/32-56 L=1.9 | | | | * | | 2 | |
| 45 | | 22901003 | | BED SCREW STUD | | | | | | 4 | |
| 46 | | TA2050406R0 | | RUBBER PLUG | | | | | | 1 | |

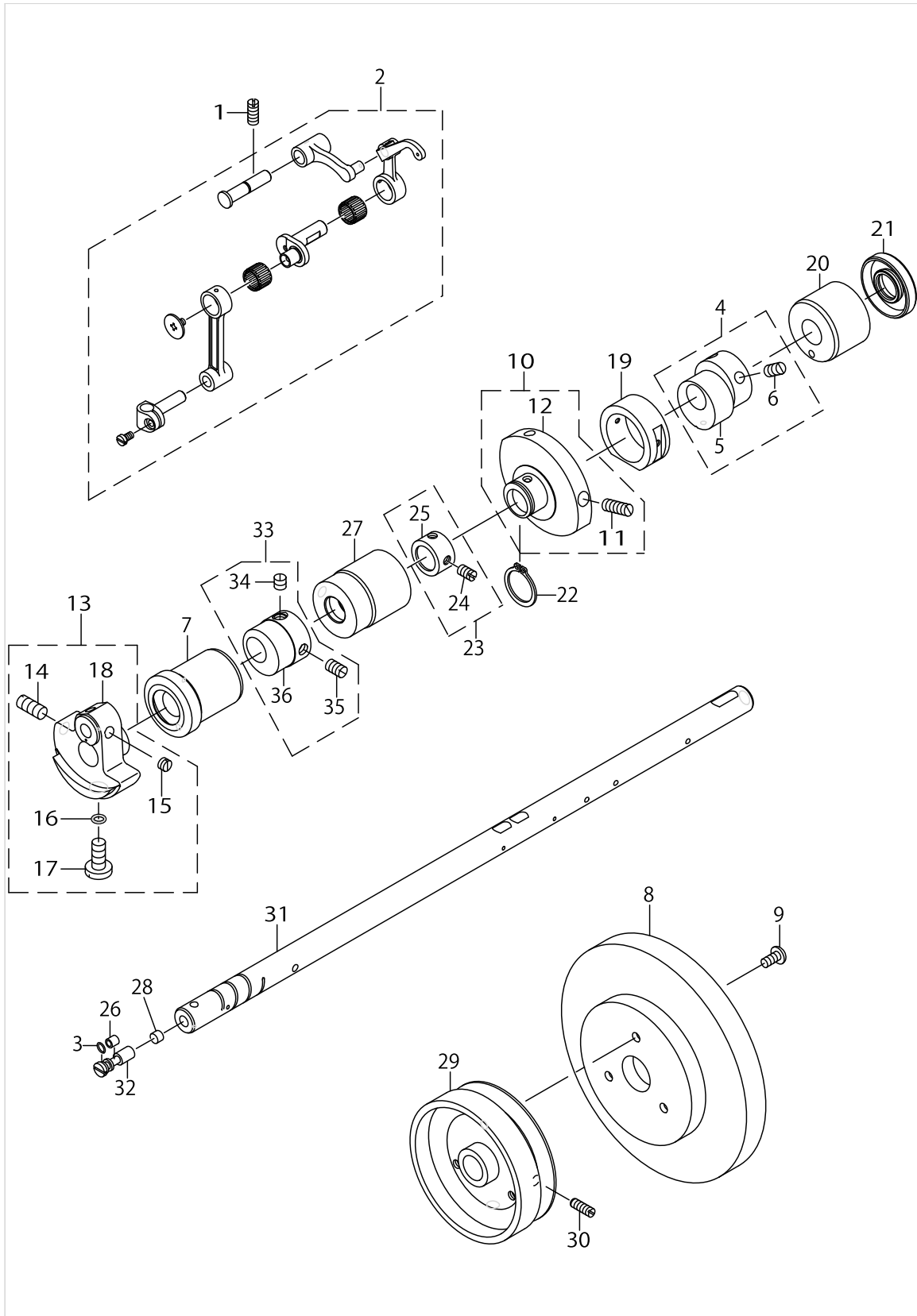
MACHINE FRAME & MISCELLANEOUS COVER COMPONENTS



MACHINE FRAME & MISCELLANEOUS COVER COMPONENTS

| No. | Supply Code | Parts No. | Replacement | Parts name | Remarks | Choice | Step | Level | Cons | Qty | Rep. QTY |
|-----|-------------|-------------|-------------|----------------------|---------|--------|------|-------|------|-----|----------|
| 47 | | SS4121015SP | | SCREW 3/16-28 L=10 | | | | | | 10 | |
| 48 | | CM300200001 | | ATTENTION SEAL 16 | | | | | | 1 | |
| 49 | | SS4701415SD | | SCREW | | | | | | 1 | |
| 50 | | SS7110720SP | | SCREW 11/64-40 L=7 | | | | | | 2 | |
| 51 | | CM301200001 | | SAFETY LABEL_S | | | | | | 1 | |
| 52 | | 22901805 | | GROUND MARK | | | | | | 1 | |
| 53 | | 22902605 | | RULER STOP SEAT | | | | | | 1 | |
| 54 | | SS2110915SP | | SCREW 11/64-40 L=8.5 | | | | | | 1 | |
| 55 | | SS4112215SP | | SCREW11/64-40L=22 | | | | | | 1 | |
| 56 | | TA0950806R0 | | RUBBER PLUG | | | | | | 1 | |

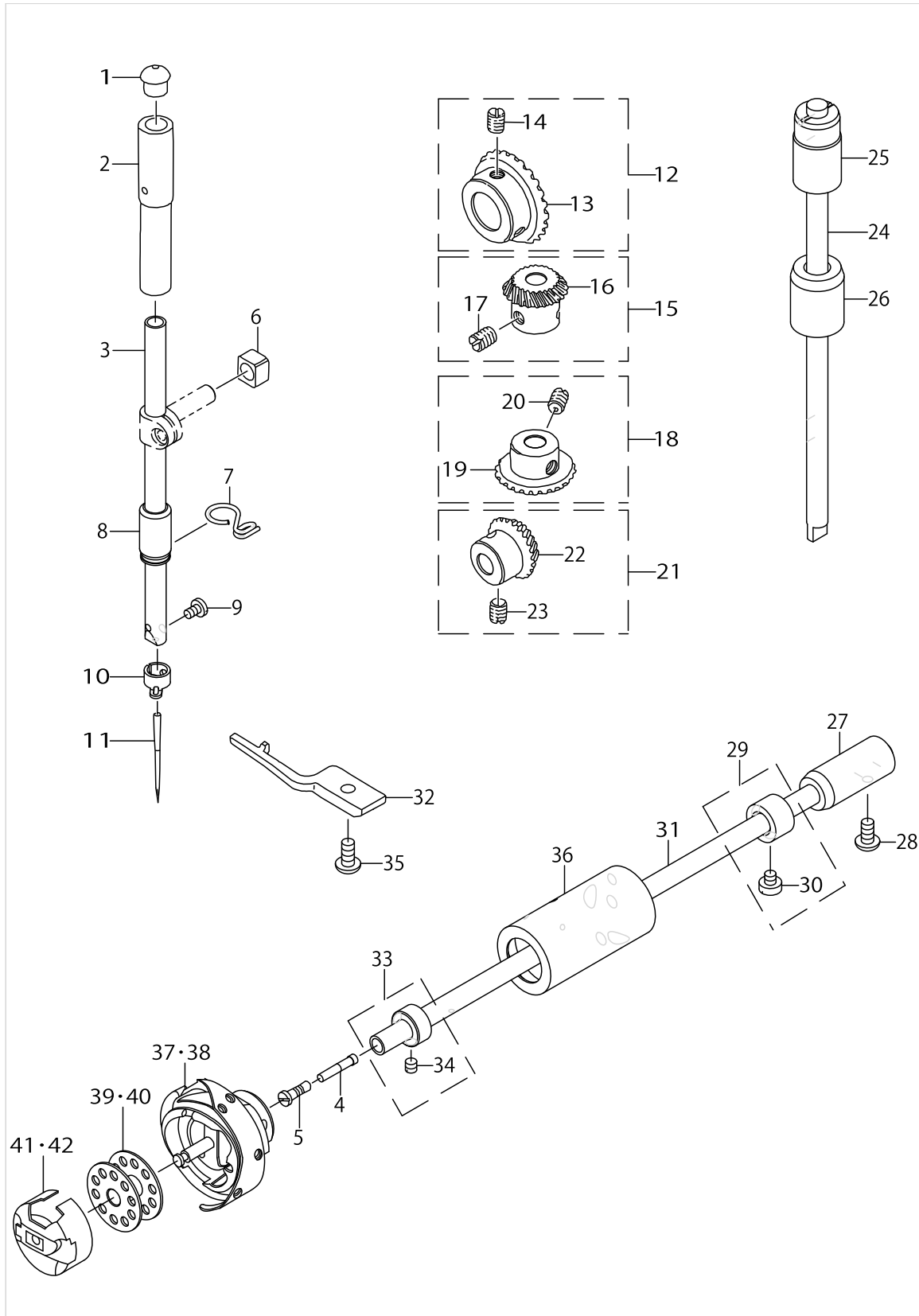
MAIN SHAFT & THREAD TAKE-UP LEVER COMPONENTS



MAIN SHAFT & THREAD TAKE-UP LEVER COMPONENTS

| No. | Supply Code | Parts No. | Replacement | Parts name | Remarks | Choice | Step | Level | Cons | Qty | Rep. QTY |
|-----|-------------|-------------|-------------|--------------------------------|---------|--------|------|-------|------|-----|----------|
| 1 | | SS8151150TP | | SCREW 15/64-28 L=10.5 | | | | | | 1 | |
| 2 | | 40021775 | | THREAD TAKE-UP LEVER ASM. | | | | | | 1 | |
| 3 | | RO029180100 | | RUBBER RING | | | | | | 1 | |
| 4 | | 40021773 | | ECCENTRIC FEED CAM ASM. | | | | | | 1 | |
| 5 | | 40021574 | | ECCENTRIC FEED CAM | | | | * | | 1 | |
| 6 | | SS8660810TP | | SCREW 1/4-40 L=8 | | | | * | | 2 | |
| 7 | | 22903207 | | MAIN SHAFT BUSHING FRONT | | | | | | 1 | |
| 8 | | 40026457 | | HAND WHEEL B | | | | | | 1 | |
| 9 | | SM4051055SP | | SCREW | | | | | | 3 | |
| 10 | | 40021774 | | VERTICAL FEED CAM ASM. | | | | | | 1 | |
| 11 | | SS8681650TP | | SCREW 9/32-28 L=16 | | | | * | | 2 | |
| 12 | R | 40021575 | 40021774 | VERTICAL FEED CAM | | | | * | | 1 | 1.00 |
| 13 | | 40021770 | | COUNTER WEIGHT ASM. | | | | | | 1 | |
| 14 | | SS8681650TP | | SCREW 9/32-28 L=16 | | | | * | | 1 | |
| 15 | | SS8660410SP | | SCREW 1/4-40 L=4.2 | | | | * | | 2 | |
| 16 | | RO044240100 | | RUBBER RING | | | | * | | 1 | |
| 17 | | SS7681650TP | | SCREW 9/32-28 L=16 | | | | * | | 1 | |
| 18 | R | 40021635 | 40021770 | COUNTER WEIGHT | | | | * | | 1 | 1.00 |
| 19 | | 40024118 | | PITMAN SLEEVE | | | | | | 1 | |
| 20 | | 40048594 | | MAIN SHAFT BUSHING | | | | | | 1 | |
| 21 | R | 11002508 | 40105231 | OIL SEAL | | | | | | 1 | 1.00 |
| 22 | | RC1850001KP | | SNAP RING 18.5 | | | | | | 1 | |
| 23 | | 22904155 | | MAIN SHAFT THRU-ST COLLAR ASM. | | | | | | 1 | |
| 24 | | SS8660610TP | | SCREW 1/4-40 L=6 | | | | * | | 2 | |
| 25 | R | 22904106 | 22904155 | MAIN SHAFT THRUST COLLAR | | | | * | | 1 | 1.00 |
| 26 | | B1215552000 | | OIL ADJUSTING COLLAR | | | | | | 1 | |
| 27 | | 22903306 | | BUSHING INTERMEDIATE | | | | | | 1 | |
| 28 | | B1226490000 | | ROLLER FELT | | | | | | 1 | |
| 29 | R | 40026454 | 40026456 | HAND WHEEL A | | | | | | 1 | 1.00 |
| 30 | | SS8151550SP | | SCREW 15/64-28 L=15 | | | | | | 2 | |
| 31 | | 22903009 | | MAIN SHAFT | | | | | | 1 | |
| 32 | | 22903900 | | ADJUSTING PIN | | | | | | 1 | |
| 33 | | 40102602 | | FEED_DRIVE_ECCENTRIC_CAM_ASM | | | | | | 1 | |
| 34 | | SS8660610TP | | SCREW 1/4-40 L=6 | | | | * | | 1 | |
| 35 | | SS8661030SP | | SCREW 1/4-40 L=10 | | | | * | | 1 | |
| 36 | | 40101997 | | FEED_DRIVE_ECCENTRIC_CAM | | | | * | | 1 | |

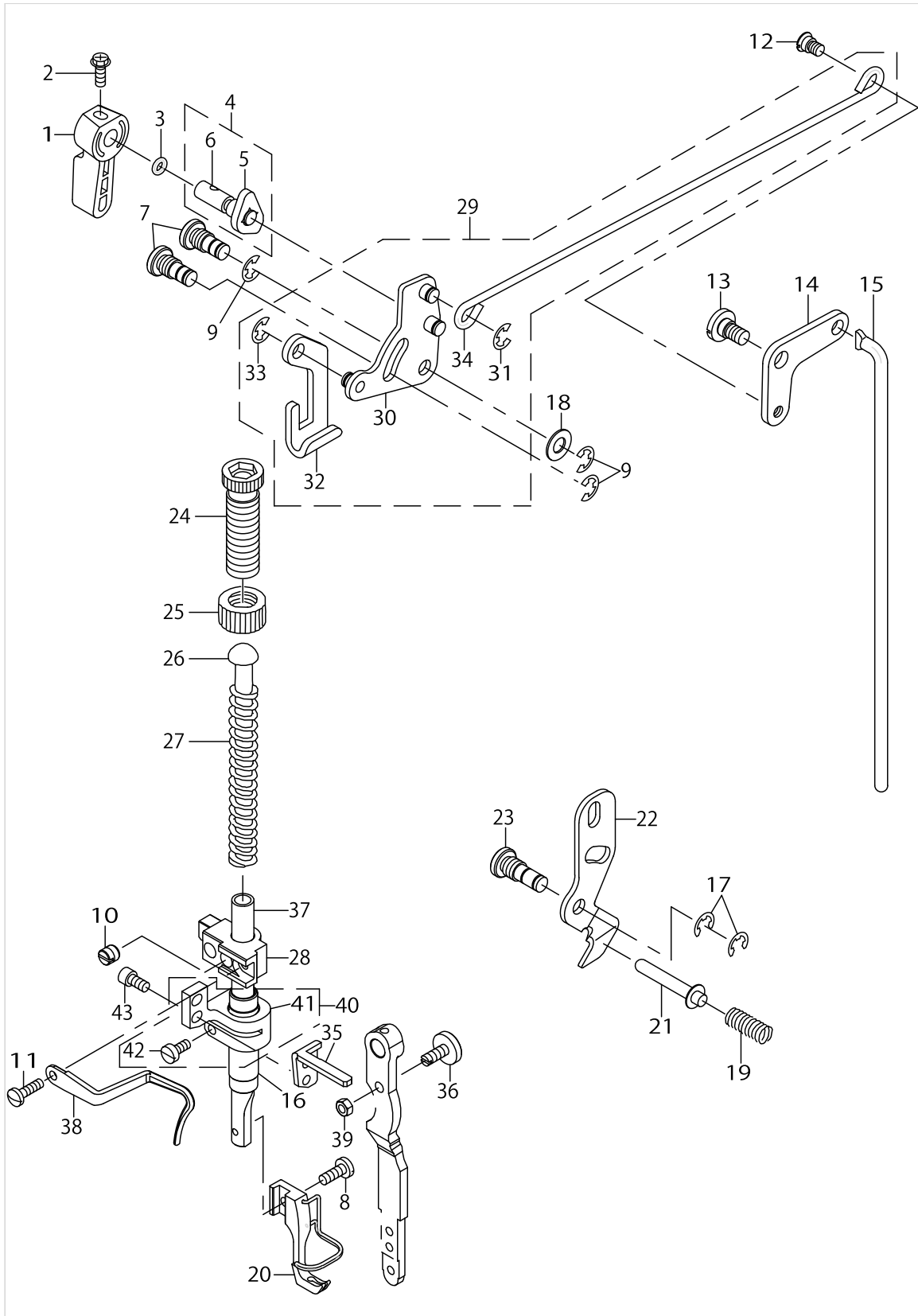
NEEDLE BAR, UPRIGHT SHAFT & HOOK DRIVING SHAFT COMPONENTS



NEEDLE BAR, UPRIGHT SHAFT & HOOK DRIVING SHAFT COMPONENTS

| No. | Supply Code | Parts No. | Replacement | Parts name | Remarks | Choice | Step | Level | Cons | Qty | Rep. QTY |
|-----|-------------|-------------|-------------|-----------------------------------|------------------|--------|------|-------|------|-----|----------|
| 1 | | 22901409 | | NEEDLE BAR UPPER BUSH CAP | | | | | | 1 | |
| 2 | | 22906101 | | NEEDLE BAR BUSHING, UPPER | | | | | | 1 | |
| 3 | | 40023030 | | NEEDLE BAR | | | | | | 1 | |
| 4 | | 11404704 | | OIL WICK | | | | | | 1 | |
| 5 | | 22916506 | | SET SCREW | | | | | | 1 | |
| 6 | | 40090058 | | SLIDE BLOCK | | | | | | 1 | |
| 7 | | 40023223 | | NEEDLE BAR THREAD GUIDE | | | | | | 1 | |
| 8 | | 40021604 | | NEEDLE BAR BUSHING LOWER | | | | | | 1 | |
| 9 | | SS7080510TP | | SCREW 1/8-44 L=4.5 | | | | | | 1 | |
| 10 | | 40024124 | | NEEDLE BAR THREAD GUIDE | | | | | | 1 | |
| 11 | | MDP170B2100 | | NEEDLE DPX17 #21 | | | | | | 1 | |
| 12 | | 40090002 | | UPPER LARGE BEVEL GEAR ASM. | | | | | | 1 | |
| 13 | | 40090006 | | UPPER LARGE BEVEL GEAR | | | | * | | 1 | |
| 14 | | SS8660810TP | | SCREW 1/4-40 L=8 | | | | * | | 2 | |
| 15 | | 40090003 | | UPPER SMALL BEVEL GEAR ASM. | | | | | | 1 | |
| 16 | | 40090007 | | UPPER SMALL BEVEL GEAR | | | | * | | 1 | |
| 17 | | SS8660810TP | | SCREW 1/4-40 L=8 | | | | * | | 2 | |
| 18 | | 40090004 | | LOWER LARGE BEVEL GEAR ASM. | | | | | | 1 | |
| 19 | | 40090008 | | LOWER LARGE BEVEL GEAR | | | | * | | 1 | |
| 20 | | SS8660810TP | | SCREW 1/4-40 L=8 | | | | * | | 2 | |
| 21 | | 40090005 | | LOWER SMALL BEVEL GEAR ASM. | | | | | | 1 | |
| 22 | | 40090009 | | LOWER SMALL BEVEL GEAR | | | | * | | 1 | |
| 23 | | SS8660810TP | | SCREW 1/4-40 L=8 | | | | * | | 2 | |
| 24 | | 40021612 | | UPRIGHT SHAFT | | | | | | 1 | |
| 25 | | 22905103 | | UPRIGHT SHAFT BUSHING UPPER | | | | | | 1 | |
| 26 | | 22905202 | | UPRIGHT SHAFT BUSHING LOWER | | | | | | 1 | |
| 27 | | 22916308 | | HOOK DRIVING SH- AFT BUSH REAR | | | | | | 1 | |
| 28 | | SS4120915SP | | SCREW 3/16-28 L=9 | | | | | | 1 | |
| 29 | | 22917157 | | THRUST COLLAR ASM. REAR | | | | | | 1 | |
| 30 | | SS6110420TP | | SCREW 11/64-40 L=4.8 | | | | * | | 2 | |
| 31 | | 11403300 | | HOOK DRIVING SHAFT | | | | | | 1 | |
| 32 | | 40141234 | | POSITIONING FINGER | | | | | | 1 | |
| 33 | | 22917058 | | THRUST COLLAR ASM. FRONT | | | | | | 1 | |
| 34 | | SS8110410TP | | SCREW 11/64-40 L=3.5 | | | | * | | 2 | |
| 35 | | SS4110915TP | | SCREW 11/64-40 L=9 | | | | | | 1 | |
| 36 | | 40021613 | | HOOK DRIVING SH- AFT BUSH FRON | | | | | | 1 | |
| 37 | | B1830141HA0 | | HOOK ASM. | FOR DU-1181N-**A | | | | | 1 | |
| 38 | | 40098685 | | HOOK ASM. | | | | | | 1 | |
| 39 | | 40021610 | | BOBBIN | | | | | | 1 | |
| 40 | | B9117201000 | | BOBBIN | FOR DU-1181N-**A | | | | | 1 | |
| 41 | | 40098684 | | BOBBIN CASE ASM. | | | | | | 1 | |
| 42 | | 40098959 | | BOBBIN CASE ASM. | FOR DU-1181N-**A | | | | | 1 | |

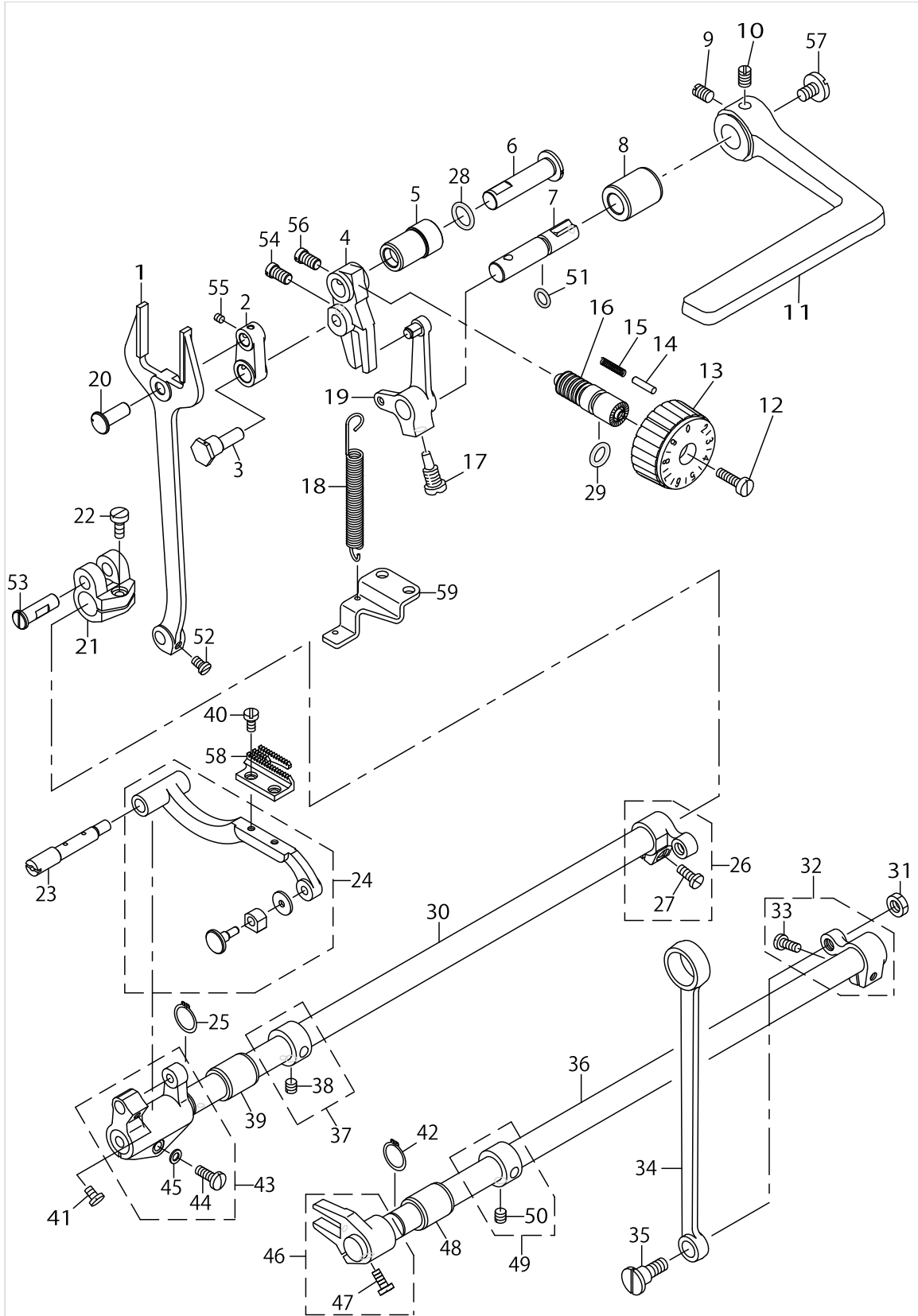
HAND LIFTER COMPONENTS



HAND LIFTER COMPONENTS

| No. | Supply Code | Parts No. | Replacement | Parts name | Remarks | Choice | Step | Level | Cons | Qty | Rep. QTY |
|-----|-------------|-------------|-------------|-------------------------------|---------|--------|------|-------|------|-----|----------|
| 1 | | 22907802 | | HAND LIFTER | | | | | | 1 | |
| 2 | | B1521555000 | | SCREW | | | | | | 1 | |
| 3 | | RO037180100 | | RUBBER RING | | | | | | 1 | |
| 4 | | 40021570 | | HAND LIFTER CAM ASM. | | | | | | 1 | |
| 5 | | 22908503 | | HAND LIFTER CAM | | | | * | | 1 | |
| 6 | | 22908602 | | HAND LIFTER CAM SHAFT | | | | * | | 1 | |
| 7 | | 22908701 | | LINK SHAFT | | | | | | 2 | |
| 8 | | SS7091110TP | | SCREW 9/64-40 L=10.5 | | | | | | 1 | |
| 9 | | RE0500000K0 | | E-RING | | | | | | 3 | |
| 10 | | SS8660610TP | | SCREW 1/4-40 L=6 | | | | | | 1 | |
| 11 | | SS6090910SP | | SCREW 9/64-40 L=9 | | | | | | 2 | |
| 12 | | 22908909 | | HINGE SCREW | | | | | | 1 | |
| 13 | | SD0720331SP | | HINGE SCREW D=7.24 H=3.3 | | | | | | 1 | |
| 14 | | 22908800 | | KNEE LIFTER LINK | | | | | | 1 | |
| 15 | | 22909006 | | KNEE LIFTER CONNECTING ROD | | | | | | 1 | |
| 16 | | 40014007 | | PRESSER BAR BUSHING LOWER | | | | | | 1 | |
| 17 | | RE0500000K0 | | E-RING | | | | | | 2 | |
| 18 | | WP0650876SD | | WASHER 6.5X13X0.8 | | | | | | 1 | |
| 19 | | 22920409 | | THREAD RELEASE PIN SPRING | | | | | | 1 | |
| 20 | | 40021791 | | PRESSER FOOT ASM. | | | | | | 1 | |
| 21 | | 22920300 | | THREAD RELEASE SUPPORTING PIN | | | | | | 1 | |
| 22 | | 40064560 | | THREAD_RELEASE_PLATE | | | | | | 1 | |
| 23 | | 22920102 | | TENSION RELEASE ASHFT | | | | | | 1 | |
| 24 | | 40101971 | | PRESSER_ADJUSTING_SCREW | | | | | | 1 | |
| 25 | R | 22907604 | 22907554 | PRESSER SPRING REGULATOR NUT | | | | | | 1 | 1.00 |
| 26 | | 22907703 | | PRESSER GUIDE BAR | | | | | | 1 | |
| 27 | | 40101970 | | PRESSER_SPRING | | | | | | 1 | |
| 28 | | 40102978 | | PRESSER_BAR_GUIDE_BRACKET | | | | | | 1 | |
| 29 | | 40064558 | | KNEE_LIFTING_CROSS_ROD_ASM. | | | | | | 1 | |
| 30 | R | 40064561 | 40064558 | LIFTING_LINK_ASM | | | | * | | 1 | 1.00 |
| 31 | | RE0500000K0 | | E-RING | | | | * | | 1 | |
| 32 | R | 40023246 | 40064558 | LIFTING PLATE | | | | * | | 1 | 1.00 |
| 33 | | RE0500000K0 | | E-RING | | | | * | | 1 | |
| 34 | | 22908305 | | KNEE LIFTER SIDE ROD | | | | * | | 1 | |
| 35 | | 40109071 | | SUPPORT_PLATE | | | | | | 1 | |
| 36 | | 40109160 | | MS1190MF/V045R-AA | | | | | | 1 | |
| 37 | | 40017805 | | PRESSER BAR | | | | | | 1 | |
| 38 | | 40101961 | | THREAD_GUIDE | | | | | | 1 | |
| 39 | | NS6110310SP | | NUT 11/64-40 | | | | | | 1 | |
| 40 | | 40101958 | | SUPPORT_BASE_ASM. | | | | | | 1 | |
| 41 | | 40101957 | | SUPPORT_BASE | | | | * | | 1 | |
| 42 | | SS7091410SP | | SCREW 9/64-40 L=13.5 | | | | * | | 1 | |
| 43 | | SM6040802TP | | SCREW M4X0.7 L=8 | | | | | | 2 | |

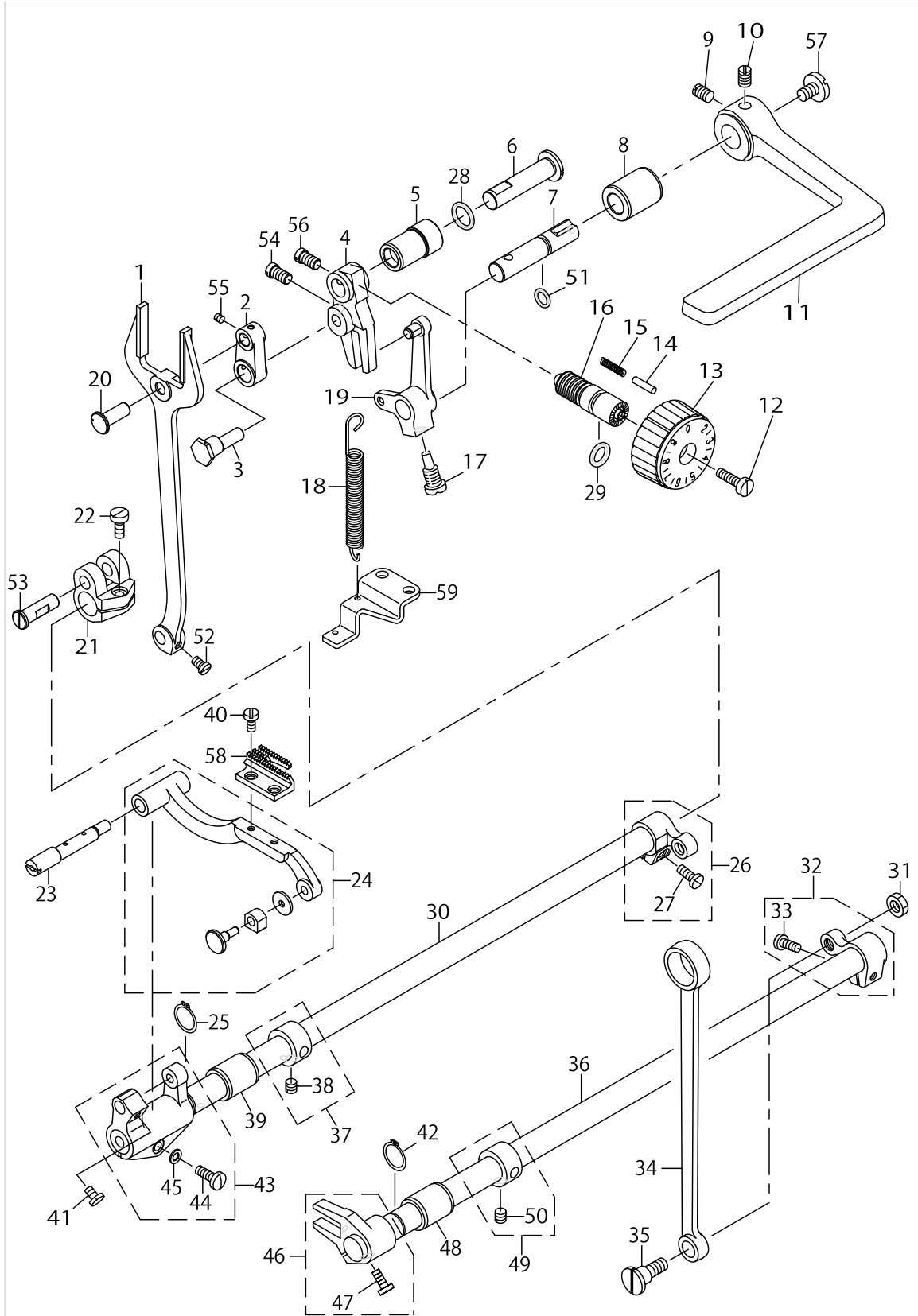
FEED MECHANISM COMPONENTS



FEED MECHANISM COMPONENTS

| No. | Supply Code | Parts No. | Replacement | Parts name | Remarks | Choice | Step | Level | Cons | Qty | Rep. QTY |
|-----|-------------|-------------|-------------|--------------------------------|---------|--------|------|-------|------|-----|----------|
| 1 | | 40024130 | | PITMAN ROD | | | | | | 1 | |
| 2 | | 40026195 | | FEED REGULATOR CONNECTING LINK | | | | | | 1 | |
| 3 | | 40024119 | | WALKING FOOT PIN | | | | | | 1 | |
| 4 | | 40024117 | | FEED REGULATOR | | | | | | 1 | |
| 5 | | 40101955 | | FEED_REGULATOR_BUSHING | | | | | | 1 | |
| 6 | | 40101956 | | FEED_REGULATOR_SHAFT | | | | | | 1 | |
| 7 | | 40038991 | | FEED REVERSE SHAFT | | | | | | 1 | |
| 8 | | 40038958 | | FEED REVERSE BUSHING | | | | | | 1 | |
| 9 | | SM8061050TP | | SCREW | | | | | | 1 | |
| 10 | | SM8061010TP | | SCREW | | | | | | 1 | |
| 11 | R | 22912703 | 22912752 | FEED LEVER | | | | | | 1 | 1.00 |
| 12 | | SS6121860SP | | SCREW 3/16-28 L=18 | | | | | | 1 | |
| 13 | | 40021571 | | FEED DIAL | | | | | | 1 | |
| 14 | | 22912000 | | FEED REGULATOR PIN | | | | | | 1 | |
| 15 | | 22912109 | | FEED REGULATOR PIN SPRING | | | | | | 1 | |
| 16 | | 22911804 | | FEED REGULATOR SCREW | | | | | | 1 | |
| 17 | | 22912505 | | FEED REVERSE ARM SCREW | | | | | | 1 | |
| 18 | | 40101947 | | LEVER_RETURN_SPRING | | | | | | 1 | |
| 19 | | 22966758 | | LEVER ARM ASM. | | | | | | 1 | |
| 20 | | 40026194 | | HINGE PIN | | | | | | 1 | |
| 21 | D | 40024308 | | FEED ROCK SHAFT CRANK | | | | | | 1 | |
| 22 | | SS6121210SP | | SCREW 3/16-28 L=12 | | | | | | 1 | |
| 23 | | 22940803 | | FEED BAR SHAFT | | | | | | 1 | |
| 24 | | 40101951 | | FEED_BASE_ASM | | | | | | 1 | |
| 25 | | RC0150001KP | | C-RING 15(13.8) | | | | | | 1 | |
| 26 | | 40099579 | | FEED ROCKER ARM ASM. | | | | | | 1 | |
| 27 | | SS6121210SP | | SCREW 3/16-28 L=12 | | | | * | | 1 | |
| 28 | | RO118240100 | | O-RING | | | | | | 1 | |
| 29 | | RO092270200 | | RUBBER RING | | | | | | 1 | |
| 30 | | 22912901 | | FEED ROCKERSHAFT | | | | | | 1 | |
| 31 | | NS6680410SP | | NUT 9/32-28 | | | | | | 1 | |
| 32 | | 40099579 | | FEED ROCKER ARM ASM. | | | | | | 1 | |
| 33 | | SS6121210SP | | SCREW 3/16-28 L=12 | | | | * | | 1 | |
| 34 | | 22915003 | | CONNECTING ROD | | | | | | 1 | |
| 35 | | SD1000801SH | | HINGE SCREW D=10 H=8 | | | | | | 1 | |
| 36 | | 22915201 | | FEED DRIVING SHAFT | | | | | | 1 | |
| 37 | | 22904155 | | MAIN SHAFT THRU-ST COLLAR ASM. | | | | | | 1 | |
| 38 | | SS8660610TP | | SCREW 1/4-40 L=6 | | | | * | | 2 | |
| 39 | | 22913008 | | FEED ROCKER SHAFT BUSHING | | | | | | 1 | |
| 40 | | SS4080620TP | | SCREW 1/8-44 L=6 | | | | | | 2 | |
| 41 | | SS7110740TP | | SCREW 11/64-40 L=7 | | | | | | 1 | |
| 42 | | RC0150001KP | | C-RING 15(13.8) | | | | | | 1 | |
| 43 | | 22940654 | | FEED ROCKER ASM. | | | | | | 1 | |
| 44 | | SS7121410TP | | SCREW 3/16-28 L=14 | | | | * | | 1 | |
| 45 | | WP0480856SP | | WASHER 4.8X8.4X0.8 | | | | * | | 1 | |

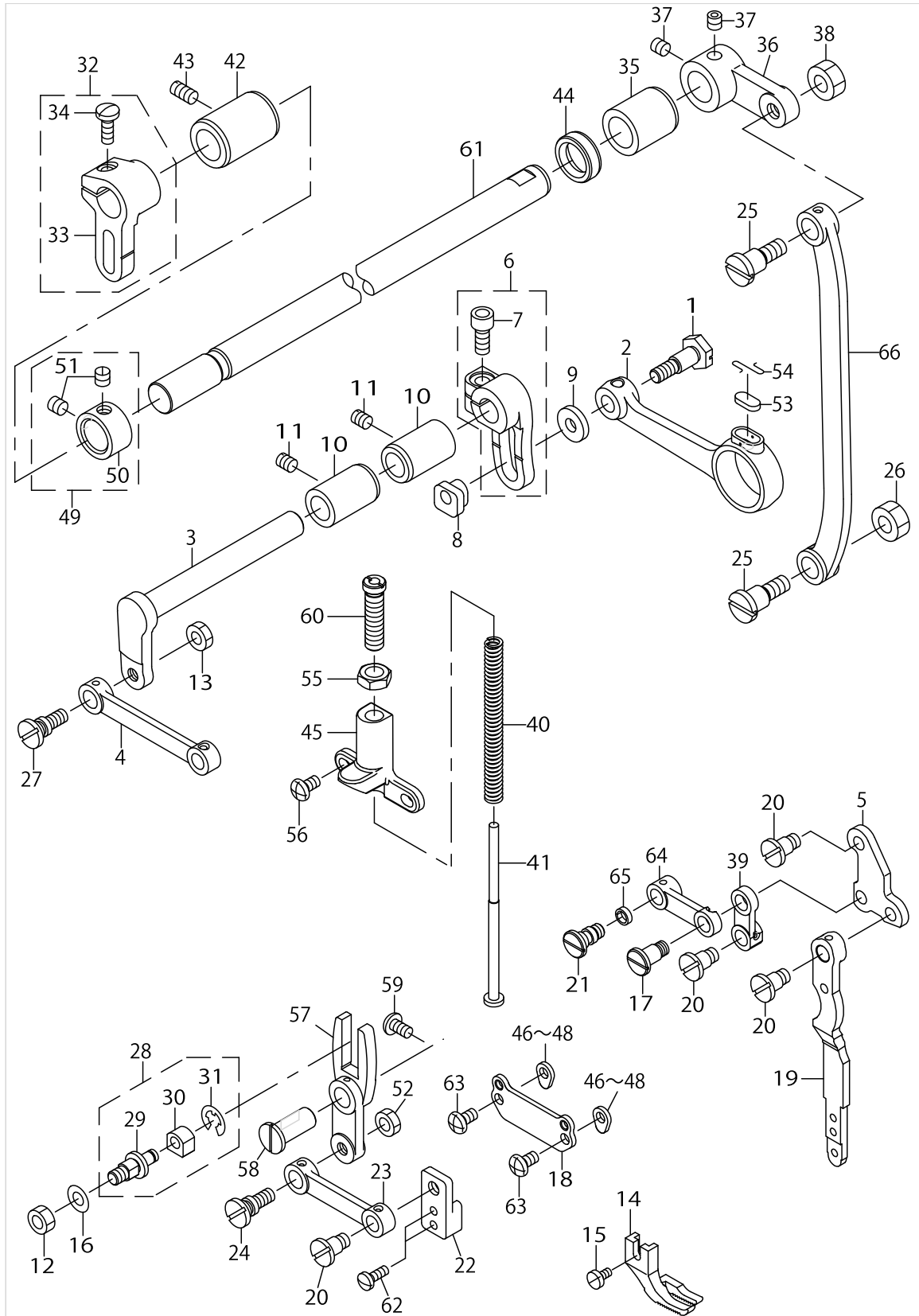
FEED MECHANISM COMPONENTS



FEED MECHANISM COMPONENTS

| No. | Supply Code | Parts No. | Replacement | Parts name | Remarks | Choice | Step | Level | Cons | Qty | Rep. QTY |
|-----|-------------|-------------|-------------|--------------------------------|---------|--------|------|-------|------|-----|----------|
| 46 | | 22915359 | | DRIVING SHAFT CRANK ASM. | | | | | | 1 | |
| 47 | | SS7111120TP | | SCREW | | | | * | | 1 | |
| 48 | | 22913008 | | FEED ROCKER SHAFT BUSHING | | | | | | 1 | |
| 49 | | 22904155 | | MAIN SHAFT THRU-ST COLLAR ASM. | | | | | | 1 | |
| 50 | | SS8660610TP | | SCREW 1/4-40 L=6 | | | | * | | 2 | |
| 51 | | RO078190100 | | RUBBER RING | | | | | | 1 | |
| 52 | | SS7120910TP | | SCREW 3/16-28 L=9 | | | | | | 1 | |
| 53 | | 40026520 | | FEED ROCKER SHAFT CRANK PIN | | | | | | 1 | |
| 54 | | 22972806 | | FEED ECCENTRIC CAM SETSCREW | | | | | | 1 | |
| 55 | | SS6110710TP | | SCREW 11/64-40 L=6.5 | | | | | | 1 | |
| 56 | | 22972806 | | FEED ECCENTRIC CAM SETSCREW | | | | | | 1 | |
| 57 | | SS7620750SP | | SCREW 3/16-32 L=6.5 | | | | | | 1 | |
| 58 | | 40101949 | | FEED_DOG | | | | | | 1 | |
| 59 | | 40101948 | | FEED_SPRING_HOOK | | | | | | 1 | |

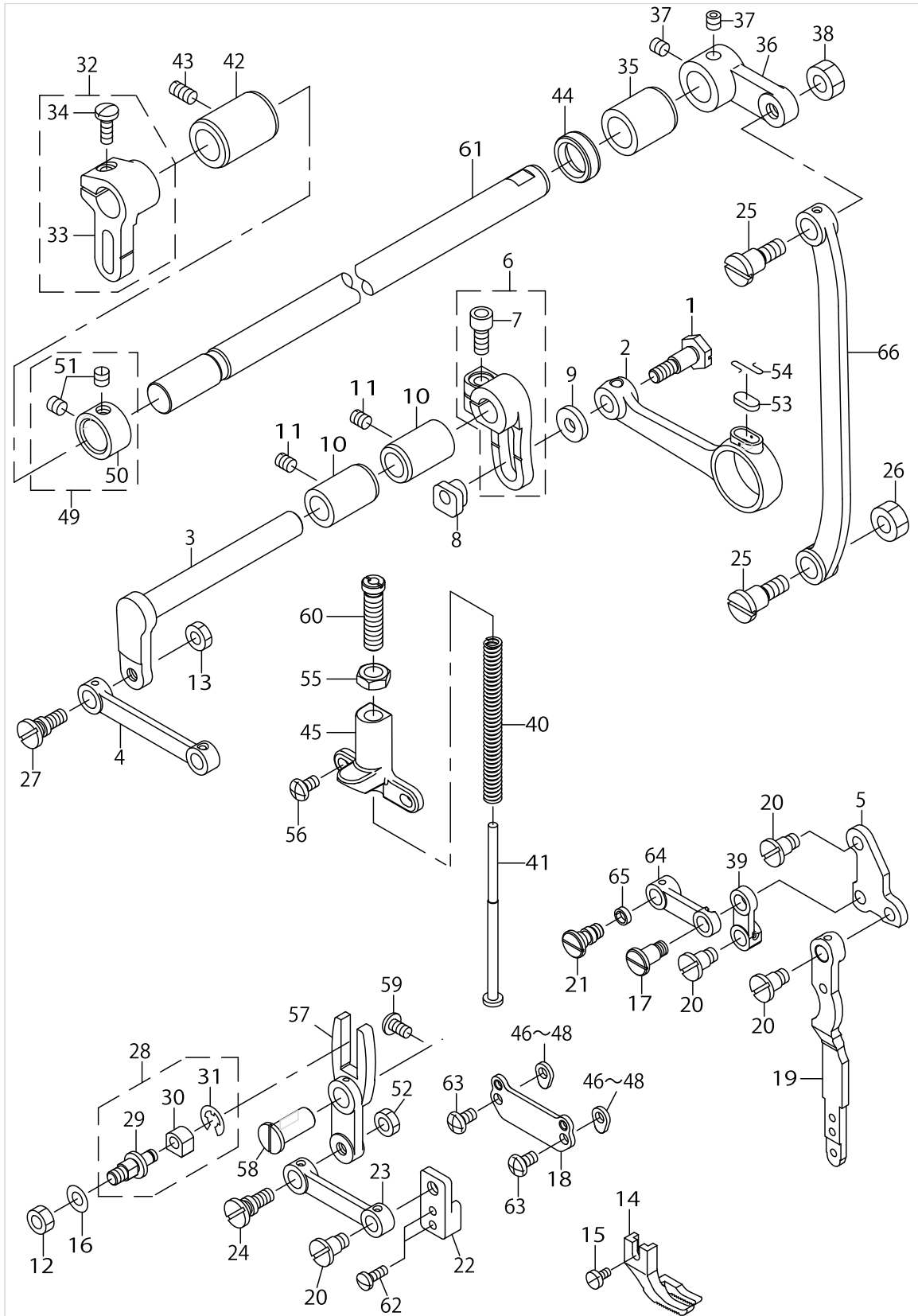
UPPER FEED MECHANISM COMPONENTS



UPPER FEED MECHANISM COMPONENTS

| No. | Supply Code | Parts No. | Replacement | Parts name | Remarks | Choice | Step | Level | Cons | Qty | Rep. QTY |
|-----|-------------|-------------|-------------|----------------------------|-----------------|--------|------|-------|------|-----|----------|
| 1 | | 40021579 | | HINGE SCREW | | | | | | 1 | |
| 2 | | 40021576 | | CRANK CONNECTING ROD | | | | | | 1 | |
| 3 | | 40022003 | | UPPER FEED DRIVING SHAFT | | | | | | 1 | |
| 4 | | 40101953 | | CONNECTING_LINK | | | | | | 1 | |
| 5 | | 40101954 | | L-SHAPED_LINK | | | | | | 1 | |
| 6 | | 40102601 | | UPPER_FEED_SPRING_ROD_ASM. | | | | | | 1 | |
| 7 | | SS6151412TP | | SCREW15/64-28L=14 | | | | * | | 1 | |
| 8 | | B3009141H0A | | NUT | | | | | | 1 | |
| 9 | | B3010141H00 | | WASHER | | | | | | 1 | |
| 10 | | 40021625 | | BUSHING | | | | | | 2 | |
| 11 | | SS8150710TP | | SCREW 15/64-28 L=7 | | | | | | 2 | |
| 12 | | NS6160520SP | | NUT 1/4-24 | | | | | | 1 | |
| 13 | | NS6150310SP | | NUT 15/64-28 | | | | | | 1 | |
| 14 | | 40022772 | | PRESSURE FOOT | | | | | | 1 | |
| 15 | | SS7090610SP | | SCREW 9/64-40 L=6 | | | | | | 1 | |
| 16 | | WP0650876SD | | WASHER 6.5X13X0.8 | | | | | | 1 | |
| 17 | | 40139223 | | HINGE_SCREW_C | | | | | | 1 | |
| 18 | | 40021581 | | WALKING BAR DRIVING LINK | | | | | | 1 | |
| 19 | | 40101952 | | L-SHAPED_ROD | | | | | | 1 | |
| 20 | | 40139221 | | HINGE_SCREW_B | | | | | | 4 | |
| 21 | | 40139225 | | HINGE_SCREW_D | | | | | | 1 | |
| 22 | | 40021582 | | CONNECTING LINK HOLDER | | | | | | 1 | |
| 23 | | 40021577 | | CONNECTING LINK | | | | | | 1 | |
| 24 | | 40139219 | | HINGE_SCREW_A | | | | | | 1 | |
| 25 | | SD1020961SP | | HINGE SCREW D=10.2 H=9.6 | | | | | | 2 | |
| 26 | | NS6680320SP | | NUT 9/32-28 | | | | | | 1 | |
| 27 | | 40139219 | | HINGE_SCREW_A | | | | | | 1 | |
| 28 | | 40021787 | | SLIDE BLOCK ASM. | | | | | | 1 | |
| 29 | | 40021788 | | SLIDE BLOCK PIN | | | | * | | 1 | |
| 30 | | 22913602 | | NEEDLE BAR SLIDE BLOCK | | | | * | | 1 | |
| 31 | | RE0400000K0 | | E-RING 4 | | | | * | | 1 | |
| 32 | | 40021783 | | CONNECTING ARM ASM | | | | | | 1 | |
| 33 | R | 40021583 | 40021783 | CONNECTING ARM | | | | * | | 1 | 1.00 |
| 34 | | SS7121410TP | | SCREW 3/16-28 L=14 | | | | * | | 1 | |
| 35 | | 40021938 | | BUSHING REAR | | | | | | 1 | |
| 36 | R | 40031287 | 40021784 | DRIVING SHAFT ROD | | | | | | 1 | 1.00 |
| 37 | | SS8660612TP | | SCREW 1/4-40 L=6 | | | | | | 2 | |
| 38 | | NS6680410SP | | NUT 9/32-28 | | | | | | 1 | |
| 39 | | 40021595 | | L-SHAPED LINK(B) | | | | | | 1 | |
| 40 | | 40101972 | | SPRING | | | | | | 1 | |
| 41 | | 40110729 | | SPRING_POLE | | | | | | 1 | |
| 42 | | 40021585 | | BUSHING FRONT | | | | | | 1 | |
| 43 | | SS8151150TP | | SCREW 15/64-28 L=10.5 | | | | | | 1 | |
| 44 | | 40139216 | | OIL_SEAL | | | | | | 1 | |
| 45 | | 40101974 | | SPRING_BAR | | | | | | 1 | |
| 46 | | 40029415 | | WASHER C | SELECTIVE PARTS | | | | | 2 | |

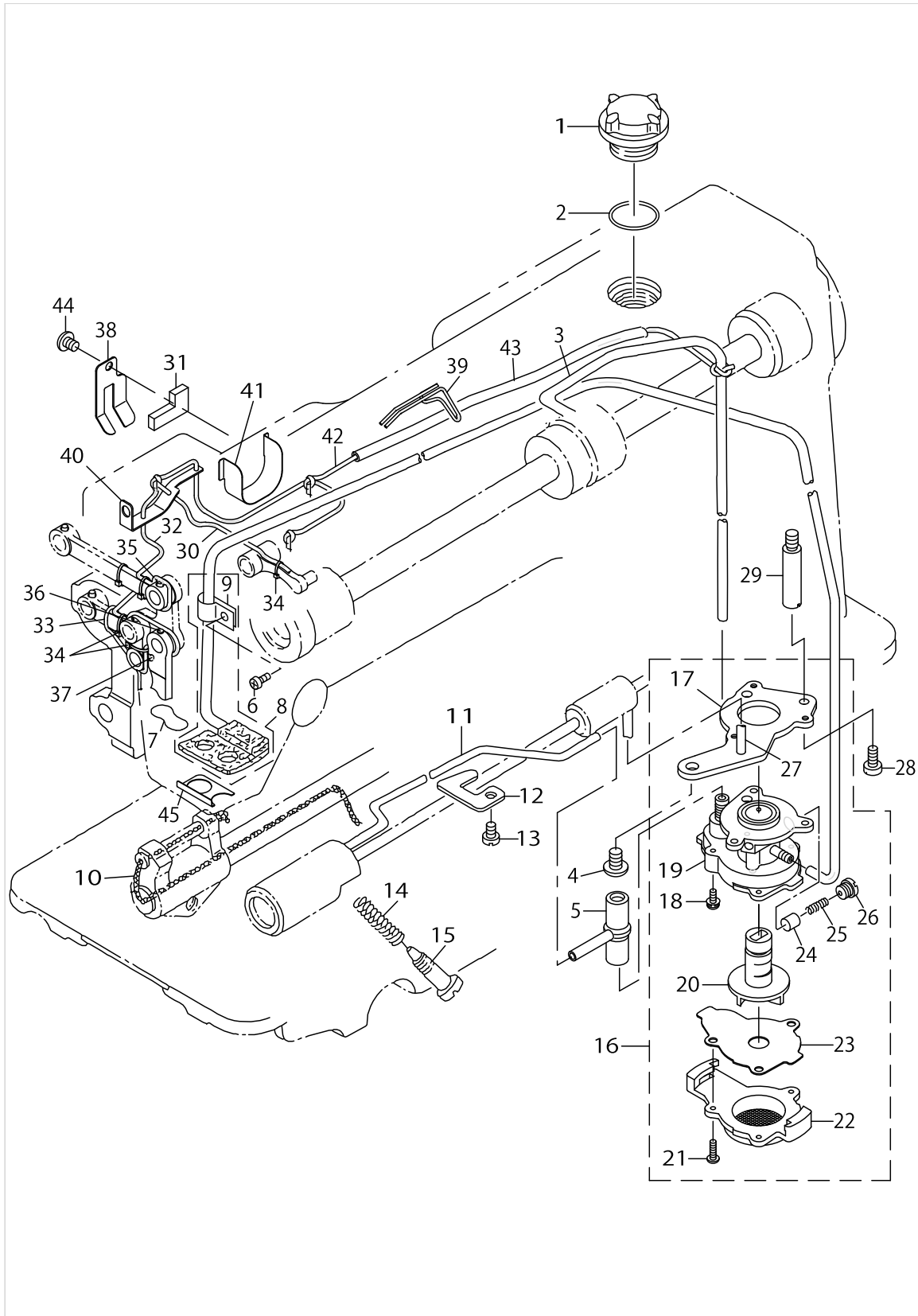
UPPER FEED MECHANISM COMPONENTS



UPPER FEED MECHANISM COMPONENTS

| No. | Supply Code | Parts No. | Replacement | Parts name | Remarks | Choice | Step | Level | Cons | Qty | Rep. QTY |
|-----|-------------|-------------|-------------|--------------------------------|-----------------|--------|------|-------|------|-----|----------|
| 47 | | 40029413 | | WASHER A | SELECTIVE PARTS | | | | | 2 | |
| 48 | | 40029414 | | WASHER B | SELECTIVE PARTS | | | | | 2 | |
| 49 | | 22904155 | | MAIN SHAFT THRU-ST COLLAR ASM. | | | | | | 1 | |
| 50 | R | 22904106 | 22904155 | MAIN SHAFT THRUST COLLAR | | | | * | | 1 | 1.00 |
| 51 | | SS8660610TP | | SCREW 1/4-40 L=6 | | | | * | | 2 | |
| 52 | | NS6150310SP | | NUT 15/64-28 | | | | | | 1 | |
| 53 | | 40025574 | | FELT | | | | | | 1 | |
| 54 | | B1213012000 | | FELT RETAINER | | | | | | 1 | |
| 55 | | 40102008 | | NUT | | | | | | 1 | |
| 56 | | SS4120915SP | | SCREW 3/16-28 L=9 | | | | | | 2 | |
| 57 | | 40021627 | | SLIDE FORK | | | | | | 1 | |
| 58 | | 40021630 | | HINGE PIN | | | | | | 1 | |
| 59 | | SS4120915SP | | SCREW 3/16-28 L=9 | | | | | | 1 | |
| 60 | | 40101973 | | ADJUSTING_THUMB_SCREW | | | | | | 1 | |
| 61 | | 40021584 | | UPPER FEED DRIVING SHAFT | | | | | | 1 | |
| 62 | R | SS7091110SP | SS7091110TP | SCREW 9/64-40 L=10.5 | | | | | | 2 | 1.00 |
| 63 | | SS4120915SP | | SCREW 3/16-28 L=9 | | | | | | 2 | |
| 64 | | 40021594 | | L-SHAPED LINK(A) | | | | | | 1 | |
| 65 | | 40027810 | | FELT | | | | | | .02 | |
| 66 | | 40021587 | | DRIVING ROD | | | | | | 1 | |

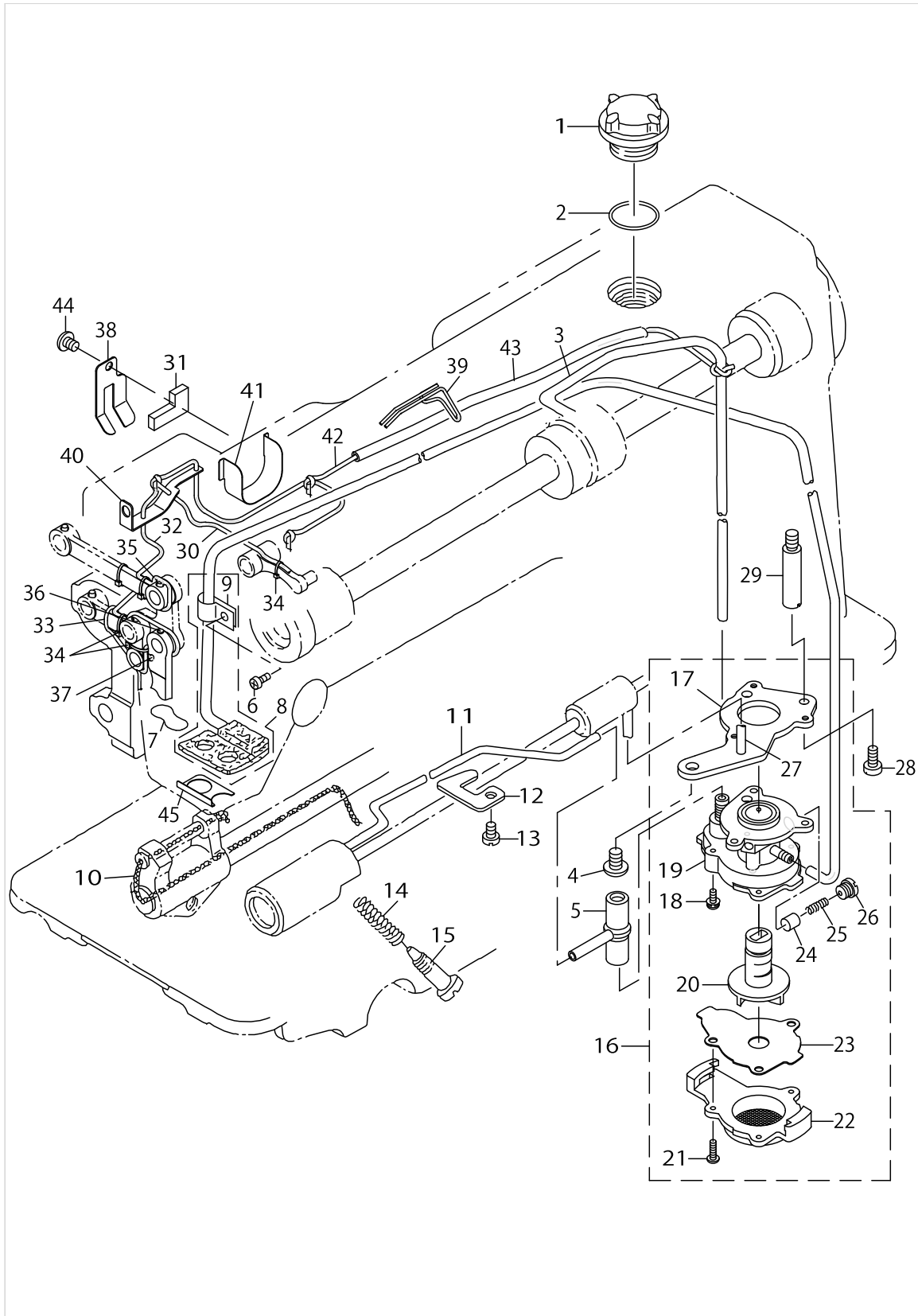
OIL LUBRICATION COMPONENTS



OIL LUBRICATION COMPONENTS

| No. | Supply Code | Parts No. | Replacement | Parts name | Remarks | Choice | Step | Level | Cons | Qty | Rep. QTY |
|-----|-------------|-------------|-------------|-----------------------------|---------|--------|---|-------|------|-----|----------|
| 1 | | 22924708 | | OIL SIGHT WINDOW | | | | | | 1 | |
| 2 | | RO195240100 | | RUBBER RING | | | | | | 1 | |
| 3 | | 22924401 | | MAINSHAFTOILTUBE | | | | | | 1 | |
| 4 | | SS4150915SP | | SCREW 15/64-28 L=9 | | | | | | 1 | |
| 5 | | 22924609 | | RUBBER JOINT | | | | | | 1 | |
| 6 | | SS4120615SP | | SCREW 3/16-28 L=6 | | | | | | 1 | |
| 7 | | 22925101 | | OIL FELT PRESSER | | | | | | 1 | |
| 8 | | 22924153 | | RETURN PIPE ASM. | | | | | | 1 | |
| 9 | | 22924302 | | RETURN PIPE HOLDER | | | | * | | 1 | |
| 10 | | CQ252000000 | | OIL WICK | | | | | | .3 | |
| 11 | | 22924500 | | HOOK OIL TUBE | | | | | | 1 | |
| 12 | | 22924807 | | PIPE HOLDER LOWER | | | | | | 1 | |
| 13 | | SS4150915SP | | SCREW 15/64-28 L=9 | | | | | | 1 | |
| 14 | | 22924906 | | OIL REGULATOR SCREW SPRING | | | | | | 1 | |
| 15 | | 22925002 | | OIL REGULATOR SCREW | | | | | | 1 | |
| 16 | | 11404555 | | LUBRICATING OIL PUMP ASM. | | | | | | 1 | |
| 17 | R | 22923312 | 11392057 | PUMP BODY INSTALLING PLATE | | A | DLD5430 | * | | 1 | 1.00 |
| 17 | R | 22923312 | 11404555 | PUMP BODY INSTALLING PLATE | | B | DDL5600/- 8100e, DU1181 | * | | 1 | 1.00 |
| 17 | R | 22923312 | 22923056 | PUMP BODY INSTALLING PLATE | | C | DDL8700/- 8300/8500- /900A, DM- N5420/5400 | * | | 1 | 1.00 |
| 18 | | SL4030851SF | | SCREW M3 L=8 | | | | * | | 3 | |
| 19 | R | 22923015 | 22923056 | PUMP BODY | | | | * | | 1 | 1.00 |
| 20 | | 22923700 | | IMPELLER | | | | * | | 1 | |
| 21 | | SE4301041SR | | SCREW D=3 L=10 | | | | * | | 3 | |
| 22 | | 22923205 | | PUMP BODY COVER | | | | * | | 1 | |
| 23 | | 22923809 | | PUMP BODY SUPPORT PLATE | | | | * | | 1 | |
| 24 | | 22923403 | | PLUNGER | | | | * | | 1 | |
| 25 | | 22923601 | | PLUNGER SPRING | | | | * | | 1 | |
| 26 | | 22923502 | | PLUNGER SCREW | | | | * | | 1 | |
| 27 | D | 11404605 | | HOOK DRIVING SHAFT OIL TUBE | | | | * | | 1 | |
| 28 | | SS6111010TP | | SCREW 11/64-40 L=9.5 | | | | | | 1 | |
| 29 | | 22924005 | | PUMP BODY STRUT | | | | | | 1 | |
| 30 | | CQ202000000 | | OIL WICK | | | | | | .1 | |
| 31 | | 40102156 | | FELT | | | | | | 1 | |
| 32 | | CQ202000000 | | OIL WICK | | | | | | .75 | |
| 33 | | CQ202000000 | | OIL WICK | | | | | | .1 | |
| 34 | | EA9500B0000 | | CLIP CV-70S | | | | | | 5 | |
| 35 | | CQ3000000F0 | | OIL FELT | | | | | | .04 | |
| 36 | | CQ3000000F0 | | OIL FELT | | | | | | .04 | |
| 37 | | CQ3000000F0 | | OIL FELT | | | | | | .04 | |
| 38 | | 40025328 | | OIL SHIELD (C) | | | | | | 1 | |
| 39 | | 40027938 | | HOLDER | | | | | | 1 | |
| 40 | | 40030403 | | OIL WICK SUPPORT | | | | | | 1 | |
| 41 | | 40030402 | | OIL SHIELD (D) | | | | | | 1 | |
| 42 | | CQ252000000 | | OIL WICK | | | | | | .39 | |

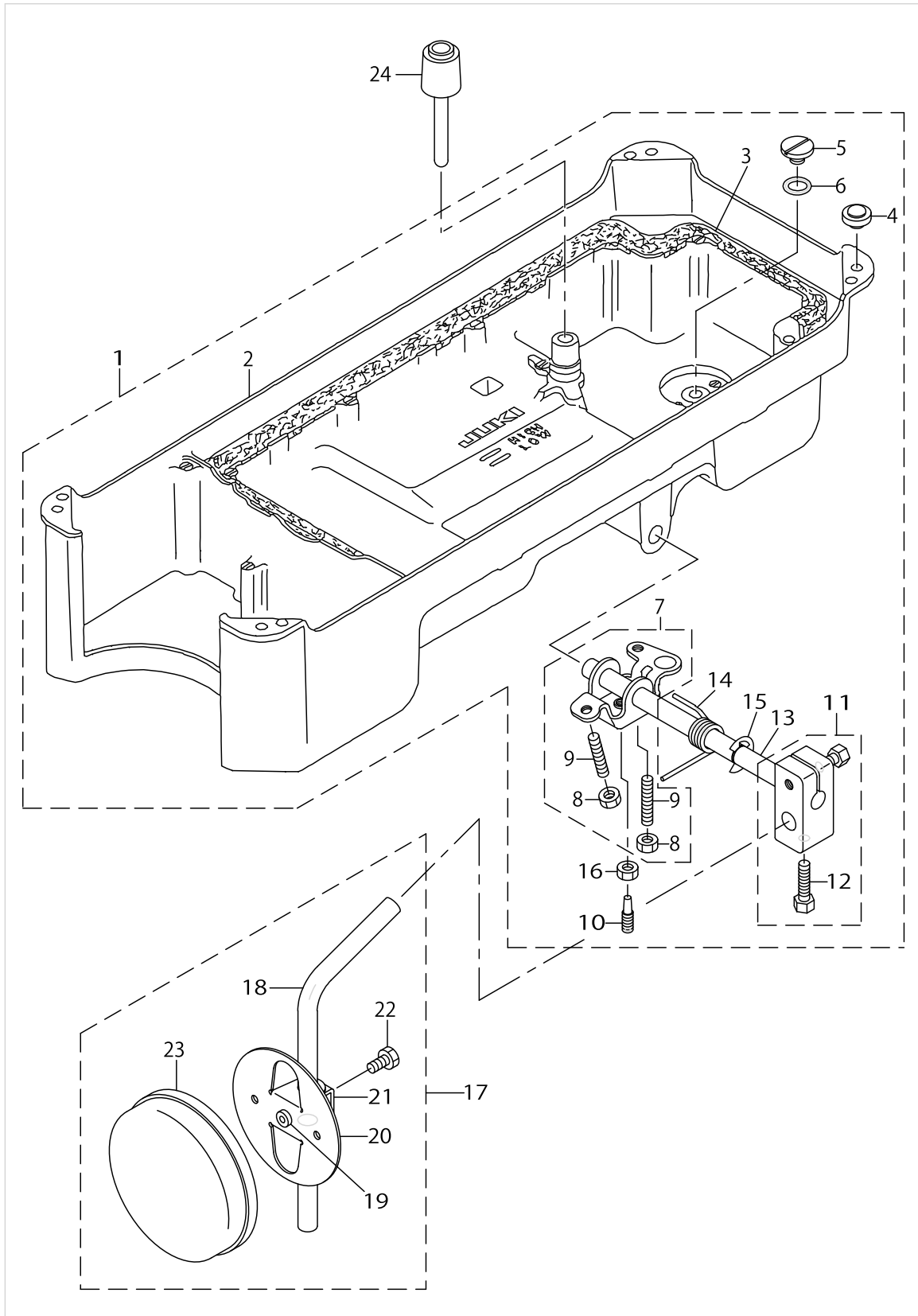
OIL LUBRICATION COMPONENTS



OIL LUBRICATION COMPONENTS

| No. | Supply Code | Parts No. | Replacement | Parts name | Remarks | Choice | Step | Level | Cons | Qty | Rep. QTY |
|-----|-------------|-------------|-------------|---------------------------|---------|--------|------|-------|------|-----|----------|
| 43 | | 23630007 | | TUBE | | | | | | .19 | |
| 44 | | SS4120615SP | | SCREW 3/16-28 L=6 | | | | | | 1 | |
| 45 | | 40021999 | | FACE PLATE OIL SHIELD (B) | | | | | | 1 | |

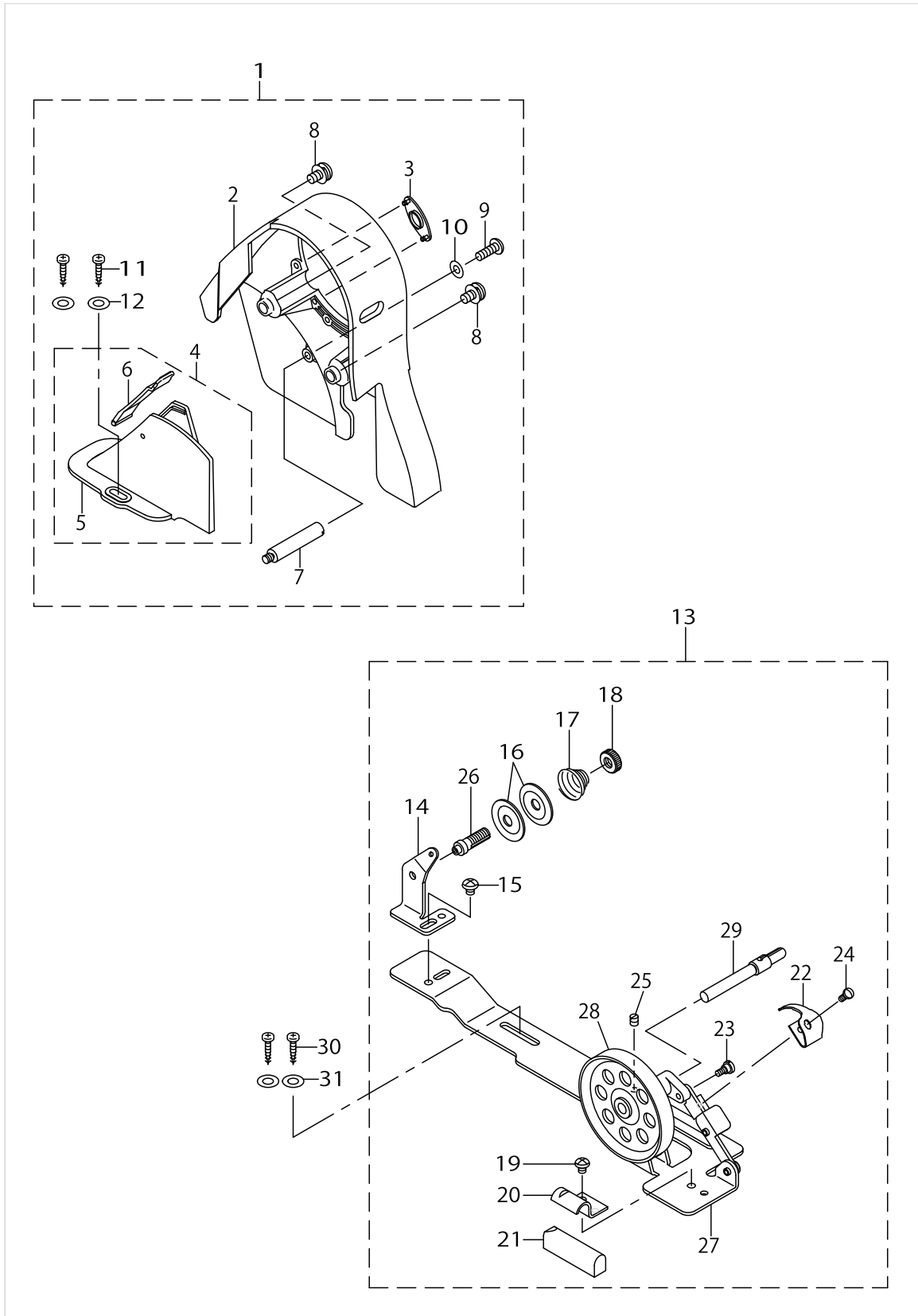
OIL RESERVOIR COMPONENTS



OIL RESERVOIR COMPONENTS

| No. | Supply Code | Parts No. | Replacement | Parts name | Remarks | Choice | Step | Level | Cons | Qty | Rep. QTY |
|-----|-------------|-------------|-------------|-------------------------------|---------|--------|------|-------|------|-----|----------|
| 1 | | 40029416 | | OIL RESERVOIR ASM. | | | | | | 1 | |
| 2 | | 40105821 | | OIL RESERVOIR | | | | * | | 1 | |
| 3 | R | 22931901 | 11024700 | OIL RESERVOIR GASKET | | | | * | | 1 | 1.00 |
| 4 | R | 22932008 | 11047107 | RUBBER CUSHION | | | | * | | 4 | 1.00 |
| 5 | | SS6700710SH | | SCREW 5/16-24 L=7 | | | | * | | 1 | |
| 6 | | RO098240100 | | RUBBER RING | | | | * | | 1 | |
| 7 | | 22932156 | | KNEE LIFTER ROTATION ARM ASM. | | | | * | | 1 | |
| 8 | | NM6060001SE | | NUT M6 | | | | * | | 2 | |
| 9 | | SM8063012TR | | SCREW M6 L=30 | | | | * | | 2 | |
| 10 | | 40101720 | | SCREW_M6 | | | | * | | 1 | |
| 11 | | 22932453 | | BRACKET ASM. | | | | * | | 1 | |
| 12 | | 22934707 | | SCREW | | | | * | | 2 | |
| 13 | | 40101541 | | KNEE_PRESS_CROSS_SHAFT | | | | * | | 1 | |
| 14 | | 22932206 | | SPRING | | | | * | | 1 | |
| 15 | | RE1000000K0 | | E-RING 10 | | | | * | | 1 | |
| 16 | | NM6060001SE | | NUT M6 | | | | * | | 1 | |
| 17 | | 22934251 | | KNEE PAD PLATE ASM. | | | | | | 1 | |
| 18 | | 22934608 | | KNEE PAD UPRIGHT SHAFT | | | | * | | 1 | |
| 19 | | 22934400 | | KNEE PAD PLATE RUBBER | | | | * | | 1 | |
| 20 | | 22934202 | | KNEE PAD PLATE | | | | * | | 1 | |
| 21 | | 22934301 | | KNEE PAD PLATE SUPPORT | | | | * | | 1 | |
| 22 | | SM9061203SE | | SCREW M6 L=12 | | | | * | | 1 | |
| 23 | | 22934509 | | KNEE PAD PLATE COVER | | | | * | | 1 | |
| 24 | | 22931703 | | KNEE LIFTER PUSH ROD | | | | | | 1 | |

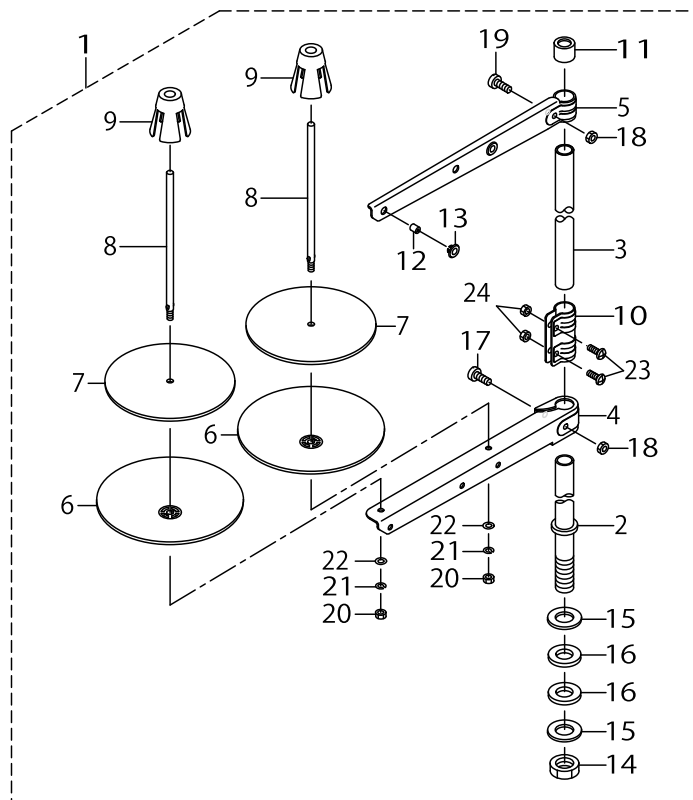
BELT COVER & BOBBIN COMPONENTS



BELT COVER & BOBBIN COMPONENTS

| No. | Supply Code | Parts No. | Replacement | Parts name | Remarks | Choice | Step | Level | Cons | Qty | Rep. QTY |
|-----|-------------|-------------|-------------|------------------------------|---------|--------|------|-------|------|-----|----------|
| 1 | | 22933451 | | BELT COVER ASM. | | | | | | 1 | |
| 2 | R | 22933402 | 22933451 | BELT COVER A | | | | * | | 1 | 1.00 |
| 3 | | 22933501 | | BELT COVER A CAP | | | | * | | 1 | |
| 4 | | 22933659 | | BELT COVER B COMPL. | | | | * | | 1 | |
| 5 | | 22933600 | | BELT COVER B | | | | * | | 1 | |
| 6 | R | 22933758 | 22933659 | BELT COVER B LID ASM. | | | | * | | 1 | 1.00 |
| 7 | | 22933907 | | BELT COVER STRUT | | | | * | | 1 | |
| 8 | R | 22934004 | 11025202 | SET SCREW | | | | * | | 2 | 1.00 |
| 9 | | SS4121415SP | | SCREW 3/16-28 L=14 | | | | * | | 1 | |
| 10 | | WP0501016SD | | WASHER 5X10.5X1 | | | | * | | 1 | |
| 11 | R | SK3412000SC | SK3412000SE | WOOD SCREW D=4.1 L=20 | | | | * | | 2 | 1.00 |
| 12 | | WP0450826SC | | WASHER 4.5X10X0.8 | | | | * | | 2 | |
| 13 | | 11415866 | | BOBBIN WINDER COMPL. | | | | | | 1 | |
| 14 | R | 22928501 | 11078250 | THREAD TENSION POST BASE | | | | * | | 1 | 1.00 |
| 15 | | SS4110515SP | | SCREW 11/64-40 L=5 | | | | * | | 1 | |
| 16 | R | 22928907 | 22921506 | THREAD TENSION DISK | | | | * | | 2 | 1.00 |
| 17 | | 22929004 | | THREAD TENSION SPRING | | | | * | | 1 | |
| 18 | | 22928808 | | NUT | | | | * | | 1 | |
| 19 | | SS4110515SP | | SCREW 11/64-40 L=5 | | | | * | | 1 | |
| 20 | D | 22928402 | | CONTROL RUBBER HOLDING PLATE | | | | * | | 1 | |
| 21 | | 22928303 | | CONTROL RUBBER | | | | * | | 1 | |
| 22 | | 11415908 | | POSITIONING FINGER | | | | * | | 1 | |
| 23 | | SD0490261SP | | HINGE SCREW D=4.9 H=2.6 | | | | * | | 1 | |
| 24 | | SS7081310SP | | SCREW 1/8-44 L=12.5 | | | | * | | 1 | |
| 25 | R | SS8110510SP | SS8110520TP | SCREW 11/64-40 L=5 | | | | * | | 1 | 1.00 |
| 26 | R | 22928709 | 11078250 | THREAD TENSION POST | | | | * | | 1 | 1.00 |
| 27 | R | 22927305 | 22927354 | BOBBIN WINDER BASE | | | | * | | 1 | 1.00 |
| 28 | | 22927404 | | BOBBIN WINDER | | | | * | | 1 | |
| 29 | | 22927602 | | BOBBIN WINDER SPINDLE | | | | * | | 1 | |
| 30 | R | SK3412000SC | SK3412000SE | WOOD SCREW D=4.1 L=20 | | | | | | 2 | 1.00 |
| 31 | | WP0450826SC | | WASHER 4.5X10X0.8 | | | | | | 2 | |

THREAD STAND COMPONENTS



THREAD STAND COMPONENTS

| No. | Supply Code | Parts No. | Replacement | Parts name | Remarks | Choice | Step | Level | Cons | Qty | Rep. QTY |
|-----|-------------|-------------|-------------|-------------------------------|---------|--------|------|-------|------|-----|----------|
| 1 | | 40096354 | | THREAD STAND ASM. | | | | | | 1 | |
| 2 | | 40085784 | | SPOOL REST ROD LOWER | | | | * | | 1 | |
| 3 | | 40085785 | | SPOOL REST ROD UPPER | | | | * | | 1 | |
| 4 | | 40085786 | | SPOOL REST ARM LOWER | | | | * | | 1 | |
| 5 | | 40085787 | | SPOOL REST ARM UPPER | | | | * | | 1 | |
| 6 | | 40085788 | | SPOOL REST | | | | * | | 2 | |
| 7 | | 40085789 | | SPOOL REST CUSHION | | | | * | | 2 | |
| 8 | | 40085790 | | SPOOL PIN | | | | * | | 2 | |
| 9 | | 40085791 | | SPOOL RETAINER | | | | * | | 2 | |
| 10 | | 40085792 | | SPOOL REST ROD JOINT | | | | * | | 1 | |
| 11 | | 40085793 | | SPOOL REST ROD RUBBER CAP | | | | * | | 1 | |
| 12 | | 40085794 | | THREAD GUIDE | | | | * | | 2 | |
| 13 | | 40085795 | | THREAD GUIDE BUSHING | | | | * | | 2 | |
| 14 | | 40096325 | | SPOOL REST ROD NUT | | | | * | | 1 | |
| 15 | | WP1612616SE | | WASHER 16X30X2.6 | | | | * | | 2 | |
| 16 | | 40085796 | | SPOOL REST ROD RUBBER CUSHION | | | | * | | 2 | |
| 17 | | 40096326 | | SPOOL REST ARM LOWER SCREW | | | | * | | 1 | |
| 18 | | NM6050001SE | | NUT M5 | | | | * | | 2 | |
| 19 | R | 40096327 | SM4053001SE | SPOOL REST ARM UPPER SCREW | | | | * | | 1 | 1.00 |
| 20 | | NM6050001SE | | NUT M5 | | | | * | | 2 | |
| 21 | | WS0510002KN | | SPRING WASHER M5 | | | | * | | 2 | |
| 22 | | WP0531001SC | | WASHER M5 | | | | * | | 2 | |
| 23 | | SM4051405SE | | SCREW M5 L=14 | | | | * | | 2 | |
| 24 | | NM6050001SE | | NUT M5 | | | | * | | 2 | |

HOW TO MAKE USE OF THIS PARTS LIST

1.As to "#01" and "#02" refer to the "Note" given at the bottom of the respective pages.

2.Codes on the "Qty" column

- Each numeral indicates the number of parts required.
- "0.1" and "2.5" indicate the length (in meters) of the respective parts.

3.Parentheses mean that the corresponding part is a subpart that constructs an assembly part.

4.Dotted lines on the Figures indicate assembly parts.

1. リストページの# 0 1、# 0 2の印は、ページ下の"注記"の説明を参照下さい。
2. 数量欄の数字は、個数を表し、0. 1、2. 5等の数値は、長さ（単位メートル）を表します。
3. 数量欄の（ ）は、組部品を構成している子部品であることを意味します。
4. イラストページの-----枠は、組構成であることを意味します。

NUMERICAL INDEX OF PARTS

| PART NO | PAGE | REF NO. | PART NO | PAGE | REF NO. | PART NO | PAGE | REF NO. |
|----------|------|---------|----------|------|---------|----------|------|---------|
| 11001500 | 2 | 22 | 22912901 | 12 | 30 | 22928402 | 26 | 20 |
| 11002508 | 6 | 21 | 22913008 | 12 | 48 | 22928501 | 26 | 14 |
| 11403300 | 8 | 31 | 22913008 | 14 | 48 | 22928709 | 26 | 26 |
| 11404555 | 20 | 16 | 22913602 | 16 | 30 | 22928808 | 26 | 18 |
| 11404605 | 20 | 27 | 22915003 | 12 | 34 | 22928907 | 26 | 16 |
| 11404704 | 8 | 4 | 22915201 | 12 | 36 | 22929004 | 26 | 17 |
| 11415205 | 2 | 18 | 22915359 | 14 | 46 | 22931703 | 24 | 24 |
| 11415866 | 26 | 13 | 22916308 | 8 | 27 | 22931901 | 24 | 3 |
| 11415908 | 26 | 22 | 22916506 | 8 | 5 | 22932008 | 24 | 4 |
| 22901003 | 2 | 45 | 22917058 | 8 | 33 | 22932156 | 24 | 7 |
| 22901201 | 2 | 42 | 22917157 | 8 | 29 | 22932206 | 24 | 14 |
| 22901250 | 2 | 41 | 22920102 | 10 | 23 | 22932453 | 24 | 11 |
| 22901300 | 2 | 43 | 22920300 | 10 | 21 | 22933402 | 26 | 2 |
| 22901409 | 8 | 1 | 22920409 | 10 | 19 | 22933451 | 26 | 1 |
| 22901805 | 4 | 52 | 22920607 | 2 | 37 | 22933501 | 26 | 3 |
| 22902506 | 2 | 2 | 22920904 | 2 | 34 | 22933600 | 26 | 5 |
| 22902605 | 4 | 53 | 22921209 | 2 | 29 | 22933659 | 26 | 4 |
| 22903009 | 6 | 31 | 22921308 | 2 | 24 | 22933758 | 26 | 6 |
| 22903207 | 6 | 7 | 22921407 | 2 | 25 | 22933907 | 26 | 7 |
| 22903306 | 6 | 27 | 22921506 | 2 | 28 | 22934004 | 26 | 8 |
| 22903900 | 6 | 32 | 22921605 | 2 | 30 | 22934202 | 24 | 20 |
| 22904106 | 6 | 25 | 22921803 | 2 | 27 | 22934251 | 24 | 17 |
| 22904106 | 18 | 50 | 22923015 | 20 | 19 | 22934301 | 24 | 21 |
| 22904155 | 6 | 23 | 22923205 | 20 | 22 | 22934400 | 24 | 19 |
| 22904155 | 12 | 49 | 22923312 | 20 | 17 | 22934509 | 24 | 23 |
| 22904155 | 14 | 49 | 22923403 | 20 | 24 | 22934608 | 24 | 18 |
| 22904155 | 18 | 49 | 22923502 | 20 | 26 | 22934707 | 24 | 12 |
| 22905103 | 8 | 25 | 22923601 | 20 | 25 | 22940654 | 12 | 43 |
| 22905202 | 8 | 26 | 22923700 | 20 | 20 | 22940803 | 12 | 23 |
| 22906101 | 8 | 2 | 22923809 | 20 | 23 | 22945307 | 2 | 31 |
| 22907604 | 10 | 25 | 22924005 | 20 | 29 | 22958300 | 2 | 15 |
| 22907703 | 10 | 26 | 22924153 | 20 | 8 | 22966758 | 12 | 19 |
| 22907802 | 10 | 1 | 22924302 | 20 | 9 | 22972806 | 14 | 56 |
| 22908305 | 10 | 34 | 22924401 | 20 | 3 | 23626104 | 2 | 21 |
| 22908503 | 10 | 5 | 22924500 | 20 | 11 | 23630007 | 22 | 43 |
| 22908602 | 10 | 6 | 22924609 | 20 | 5 | 40014007 | 10 | 16 |
| 22908701 | 10 | 7 | 22924708 | 20 | 1 | 40017805 | 10 | 37 |
| 22908800 | 10 | 14 | 22924807 | 20 | 12 | 40021567 | 2 | 9 |
| 22908909 | 10 | 12 | 22924906 | 20 | 14 | 40021570 | 10 | 4 |
| 22909006 | 10 | 15 | 22925002 | 20 | 15 | 40021571 | 12 | 13 |
| 22911804 | 12 | 16 | 22925101 | 20 | 7 | 40021574 | 6 | 5 |
| 22912000 | 12 | 14 | 22927305 | 26 | 27 | 40021575 | 6 | 12 |
| 22912109 | 12 | 15 | 22927404 | 26 | 28 | 40021576 | 16 | 2 |
| 22912505 | 12 | 17 | 22927602 | 26 | 29 | 40021577 | 16 | 23 |
| 22912703 | 12 | 11 | 22928303 | 26 | 21 | 40021579 | 16 | 1 |

NUMERICAL INDEX OF PARTS

| PART NO | PAGE | REF NO. | PART NO | PAGE | REF NO. | PART NO | PAGE | REF NO. |
|----------|------|---------|----------|------|---------|-------------|------|---------|
| 40021581 | 16 | 18 | 40025328 | 20 | 38 | 40090058 | 8 | 6 |
| 40021582 | 16 | 22 | 40025574 | 18 | 53 | 40096325 | 28 | 14 |
| 40021583 | 16 | 33 | 40026194 | 12 | 20 | 40096326 | 28 | 17 |
| 40021584 | 18 | 61 | 40026195 | 12 | 2 | 40096327 | 28 | 19 |
| 40021585 | 16 | 42 | 40026454 | 6 | 29 | 40096354 | 28 | 1 |
| 40021587 | 18 | 66 | 40026457 | 6 | 8 | 40098684 | 8 | 41·42 |
| 40021592 | 2 | 13 | 40026520 | 14 | 53 | 40098685 | 8 | 37·38 |
| 40021593 | 2 | 14 | 40027810 | 18 | 65 | 40098959 | 8 | 41·42 |
| 40021594 | 18 | 64 | 40027938 | 20 | 39 | 40099579 | 12 | 32 |
| 40021595 | 16 | 39 | 40029413 | 18 | 46~48 | 40101541 | 24 | 13 |
| 40021604 | 8 | 8 | 40029414 | 18 | 46~48 | 40101720 | 24 | 10 |
| 40021610 | 8 | 39·40 | 40029415 | 16 | 46~48 | 40101947 | 12 | 18 |
| 40021612 | 8 | 24 | 40029416 | 24 | 1 | 40101948 | 14 | 59 |
| 40021613 | 8 | 36 | 40030402 | 20 | 41 | 40101949 | 14 | 58 |
| 40021615 | 2 | 35 | 40030403 | 20 | 40 | 40101951 | 12 | 24 |
| 40021625 | 16 | 10 | 40031287 | 16 | 36 | 40101952 | 16 | 19 |
| 40021627 | 18 | 57 | 40038958 | 12 | 8 | 40101953 | 16 | 4 |
| 40021630 | 18 | 58 | 40038991 | 12 | 7 | 40101954 | 16 | 5 |
| 40021635 | 6 | 18 | 40048594 | 6 | 20 | 40101955 | 12 | 5 |
| 40021770 | 6 | 13 | 40064558 | 10 | 29 | 40101956 | 12 | 6 |
| 40021773 | 6 | 4 | 40064560 | 10 | 22 | 40101957 | 10 | 41 |
| 40021774 | 6 | 10 | 40064561 | 10 | 30 | 40101958 | 10 | 40 |
| 40021775 | 6 | 2 | 40085722 | 2 | 23 | 40101961 | 10 | 38 |
| 40021783 | 16 | 32 | 40085784 | 28 | 2 | 40101970 | 10 | 27 |
| 40021787 | 16 | 28 | 40085785 | 28 | 3 | 40101971 | 10 | 24 |
| 40021788 | 16 | 29 | 40085786 | 28 | 4 | 40101972 | 16 | 40 |
| 40021790 | 2 | 4 | 40085787 | 28 | 5 | 40101973 | 18 | 60 |
| 40021791 | 10 | 20 | 40085788 | 28 | 6 | 40101974 | 16 | 45 |
| 40021907 | 2 | 12 | 40085789 | 28 | 7 | 40101997 | 6 | 36 |
| 40021938 | 16 | 35 | 40085790 | 28 | 8 | 40102008 | 18 | 55 |
| 40021999 | 22 | 45 | 40085791 | 28 | 9 | 40102156 | 20 | 31 |
| 40022003 | 16 | 3 | 40085792 | 28 | 10 | 40102601 | 16 | 6 |
| 40022646 | 2 | 1 | 40085793 | 28 | 11 | 40102602 | 6 | 33 |
| 40022647 | 2 | 8 | 40085794 | 28 | 12 | 40102978 | 10 | 28 |
| 40022772 | 16 | 14 | 40085795 | 28 | 13 | 40105821 | 24 | 2 |
| 40023030 | 8 | 3 | 40085796 | 28 | 16 | 40109071 | 10 | 35 |
| 40023223 | 8 | 7 | 40085903 | 2 | 26 | 40109160 | 10 | 36 |
| 40023246 | 10 | 32 | 40090002 | 8 | 12 | 40110729 | 16 | 41 |
| 40023295 | 2 | 17 | 40090003 | 8 | 15 | 40139216 | 16 | 44 |
| 40024117 | 12 | 4 | 40090004 | 8 | 18 | 40139219 | 16 | 27 |
| 40024118 | 6 | 19 | 40090005 | 8 | 21 | 40139221 | 16 | 20 |
| 40024119 | 12 | 3 | 40090006 | 8 | 13 | 40139223 | 16 | 17 |
| 40024124 | 8 | 10 | 40090007 | 8 | 16 | 40139225 | 16 | 21 |
| 40024130 | 12 | 1 | 40090008 | 8 | 19 | 40141234 | 8 | 32 |
| 40024308 | 12 | 21 | 40090009 | 8 | 22 | B1213012000 | 18 | 54 |

NUMERICAL INDEX OF PARTS

| PART NO | PAGE | REF NO. | PART NO | PAGE | REF NO. | PART NO | PAGE | REF NO. |
|-------------|------|---------|-------------|------|---------|-------------|------|---------|
| B1215552000 | 6 | 26 | SM6040802TP | 10 | 43 | SS7620750SP | 14 | 57 |
| B1226490000 | 6 | 28 | SM8061010TP | 12 | 10 | SS7681650TP | 6 | 17 |
| B1521555000 | 10 | 2 | SM8061050TP | 12 | 9 | SS8090670SP | 2 | 32 |
| B1830141HA0 | 8 | 37-38 | SM8063012TR | 24 | 9 | SS8110410TP | 8 | 34 |
| B3009141H0A | 16 | 8 | SM9061203SE | 24 | 22 | SS8110510SP | 26 | 25 |
| B3010141H00 | 16 | 9 | SS2110915SP | 4 | 54 | SS8150710TP | 2 | 33 |
| B9117201000 | 8 | 39-40 | SS2110920TP | 2 | 36 | SS8150710TP | 16 | 11 |
| CM300200001 | 4 | 48 | SS4080620TP | 12 | 40 | SS8151150TP | 6 | 1 |
| CM301200001 | 4 | 51 | SS4110515SP | 26 | 19 | SS8151150TP | 16 | 43 |
| CQ202000000 | 20 | 33 | SS4110915TP | 8 | 35 | SS8151550SP | 6 | 30 |
| CQ252000000 | 20 | 42 | SS4112215SP | 4 | 55 | SS8660410SP | 6 | 15 |
| CQ3000000F0 | 20 | 37 | SS4120615SP | 2 | 20 | SS8660610TP | 6 | 34 |
| EA9500B0000 | 20 | 34 | SS4120615SP | 20 | 44 | SS8660610TP | 10 | 10 |
| MDP170B2100 | 8 | 11 | SS4120615SP | 22 | 44 | SS8660610TP | 12 | 50 |
| NM6050001SE | 28 | 24 | SS4120915SP | 2 | 7 | SS8660610TP | 14 | 50 |
| NM6060001SE | 24 | 16 | SS4120915SP | 8 | 28 | SS8660610TP | 18 | 51 |
| NS6110310SP | 10 | 39 | SS4120915SP | 18 | 63 | SS8660612TP | 16 | 37 |
| NS6150310SP | 16 | 52 | SS4121015SP | 2 | 47 | SS8660810TP | 6 | 6 |
| NS6150310SP | 18 | 52 | SS4121015SP | 4 | 47 | SS8660810TP | 8 | 23 |
| NS6160520SP | 16 | 12 | SS4121415SP | 26 | 9 | SS8661030SP | 6 | 35 |
| NS6680320SP | 16 | 26 | SS4150915SP | 20 | 13 | SS8681650TP | 6 | 14 |
| NS6680410SP | 12 | 31 | SS4701415SD | 4 | 49 | TA0850604R0 | 2 | 5 |
| NS6680410SP | 16 | 38 | SS6060210SP | 2 | 44 | TA0950806R0 | 4 | 56 |
| RC0150001KP | 12 | 42 | SS6080320SP | 2 | 3 | TA1250406R0 | 2 | 39 |
| RC1850001KP | 6 | 22 | SS6090910SP | 10 | 11 | TA1250705R0 | 2 | 6 |
| RE0400000K0 | 16 | 31 | SS6110420TP | 8 | 30 | TA2050406R0 | 2 | 46 |
| RE0500000K0 | 10 | 33 | SS6110610TP | 2 | 38 | TA2101002R0 | 2 | 11 |
| RE1000000K0 | 24 | 15 | SS6110710TP | 14 | 55 | TA2351004R0 | 2 | 16 |
| RO029180100 | 6 | 3 | SS6111010TP | 20 | 28 | WP0450826SC | 26 | 31 |
| RO037180100 | 10 | 3 | SS6121210SP | 12 | 33 | WP0480856SP | 12 | 45 |
| RO044240100 | 6 | 16 | SS6121860SP | 12 | 12 | WP0501016SD | 26 | 10 |
| RO078190100 | 14 | 51 | SS6151412TP | 16 | 7 | WP0531001SC | 28 | 22 |
| RO092270200 | 12 | 29 | SS6700710SH | 24 | 5 | WP0650876SD | 10 | 18 |
| RO098240100 | 24 | 6 | SS7080510TP | 8 | 9 | WP0650876SD | 16 | 16 |
| RO118240100 | 12 | 28 | SS7081310SP | 26 | 24 | WP1612616SE | 28 | 15 |
| RO195240100 | 20 | 2 | SS7090610SP | 16 | 15 | WS0510002KN | 28 | 21 |
| SD0490261SP | 26 | 23 | SS7091110SP | 18 | 62 | | | |
| SD0720331SP | 10 | 13 | SS7091110TP | 10 | 8 | | | |
| SD1000801SH | 12 | 35 | SS7091410SP | 10 | 42 | | | |
| SD1020961SP | 16 | 25 | SS7110720SP | 4 | 50 | | | |
| SE4301041SR | 20 | 21 | SS7110740TP | 12 | 41 | | | |
| SK3412000SC | 26 | 30 | SS7111120TP | 14 | 47 | | | |
| SL4030851SF | 20 | 18 | SS7120910TP | 14 | 52 | | | |
| SM4051055SP | 6 | 9 | SS7121410TP | 12 | 44 | | | |
| SM4051405SE | 28 | 23 | SS7121410TP | 16 | 34 | | | |