

MODEL : DDL-7000A-7

List No : 1742-00

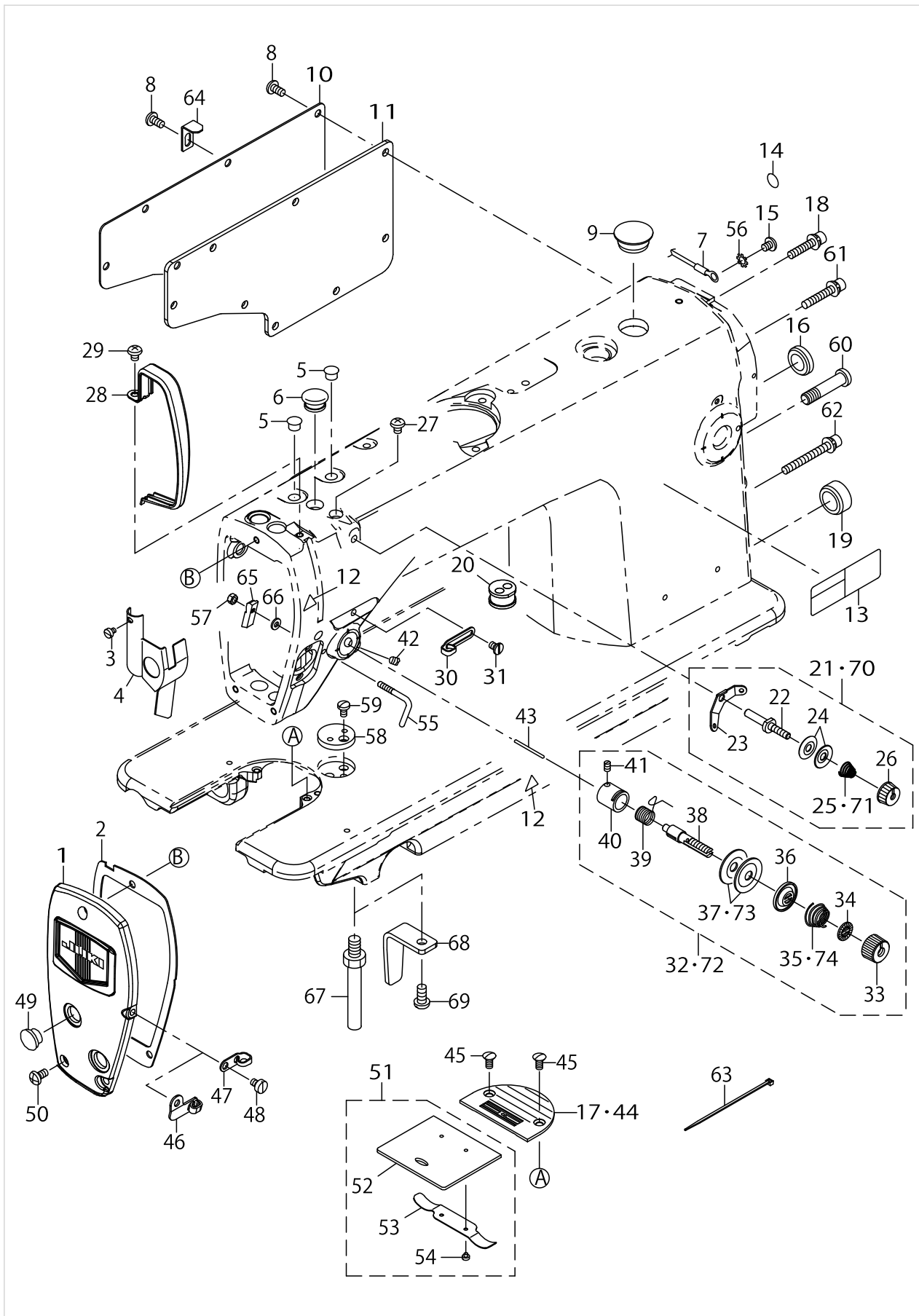
PARTS LIST

Published:08/02/2019

CONTENTS

MACHINE FRAME & MISCELLANEOUS COVER COMPONENTS	1
BOBBIN WINDER COMPONENTS	5
MAIN SHAFT & THREAD TAKE-UP LEVER COMPONENTS	7
NEEDLE BAR, UPRIGHT SHAFT & HOOK DRIVING SHAFT COMPONENTS	11
HAND LIFTER COMPONENTS	15
FEED MECHANISM COMPONENTS	17
THREAD TRIMMER COMPONENTS	21
AUTOMATIC REVERSE FEED COMPONENTS	23
EXCLUSIVE PARTS TYPE NB	25
OIL LUBRICATION COMPONENTS	27
OIL RESERVOIR COMPONENTS	29
PSC UNIT	31
ACCESSORIE PARTS COMPONENTS	33
THREAD STAND COMPONENTS	35
HOW TO MAKE USE OF THIS PARTS LIST	37

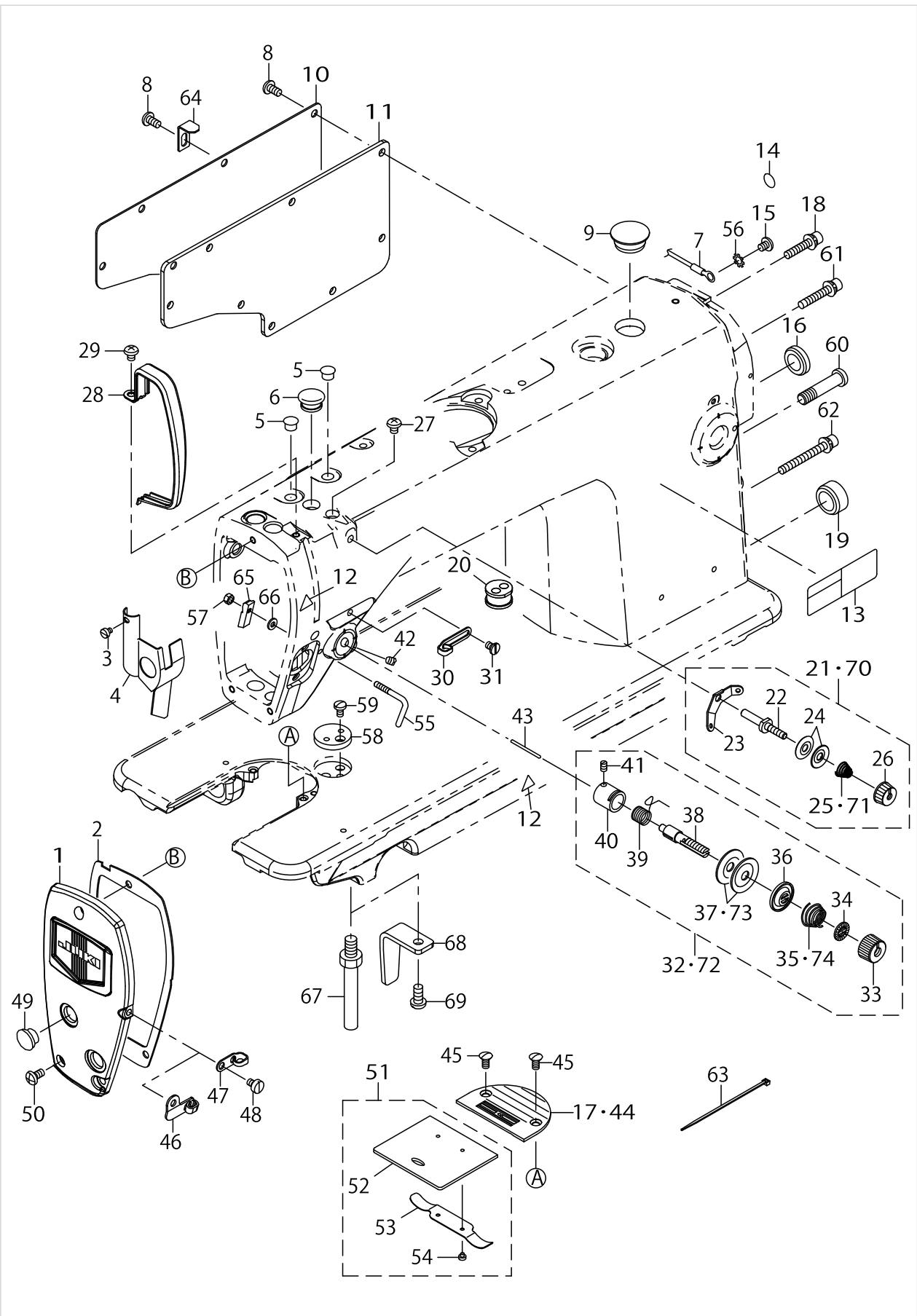
MACHINE FRAME & MISCELLANEOUS COVER COMPONENTS



MACHINE FRAME & MISCELLANEOUS COVER COMPONENTS

No.	Parts No.	Parts name	Remarks	Level	Cons	Qty
1	40225175	FACE_PLATE_ASM.				1
2	40012126	FACE_PLATE_PACKING				1
3	SS6080320SP	SCREW_1/8-44_L=2.5				1
4	22900757	FACE_PLATE_OIL_SHIELD_ASM.				1
5	TA0850604R0	RUBBER_PLUG				2
6	TA1250705R0	RUBBER_PLUG				1
7	40112907	GROUND_WIRE_ASM.				1
8	SS4120925SP	SCREW_3/16-28_L=9				8
9	TA2100904R0	RUBBER_PLUG				1
10	40225177	WINDOW_PLATE				1
11	40012129	SIDE_PLATE_PACKING				1
12	CM300200001	ATTENTION_SEAL				2
13	40102261	SAFETY_LABEL_S				1
14	22901805	GROUND_MARK				1
15	SS4120615SP	SCREW_3/16-28_L=6				1
16	TA2000502R0	RUBBER_PLUG				1
17	11400801	THROAT_PLATE_J	TYPE H			1
18	SL6052592TN	BOLT				1
19	TA2101002R0	RUBBER_PLUG				1
20	40111022	MAGNET_CORD_RUBBER				1
21	22945463	THREAD_TENSION_ASM.	TYPE S			1
22	22945414	THREAD_TENSION_POST		*		1
23	22945604	THREAD_TENSION_GUIDE		*		1
24	22945802	THREAD_TENSION_DISK		*		2
25	22945505	THREAD_TENSION_SPRING	TYPE S	*		1
26	22945703	THREAD_TENSION_NUT		*		1
27	SS4120615SP	SCREW_3/16-28_L=6				1
28	40225185	THREAD_TAKE-UP_LEVER_COVER				1
29	SS4120615SP	SCREW_3/16-28_L=6				1
30	11091006	ARM_THREAD_GUIDE_(HA)				1
31	22921001	SCREW				1
32	40126850	THREAD_TENSION_ASM.	TYPE S			1
33	22921308	THREAD_TENSION_NUT		*		1
34	22921407	ROTATION_STOPPER		*		1
35	40112420	THREAD_TENSION_SPRING_M	TYPE S	*		1
36	22921803	DISK_STOPPER		*		1
37	13138201	THREAD_TENSION_DISK	TYPE S	*		2
38	22921209	THREAD_TENSION_POST		*		1
39	22921605	THREAD_TAKE-UP_SPRING		*		1
40	22945307	THREAD_TENSION_POST_BASE		*		1
41	SS8090670SP	SCREW_9/64-40_L=5.5		*		1
42	SS8150710TP	SCREW_15/64-28_L=7				1
43	22920904	TENSION_RELEASING				1
44	B1109552000	THROAT_PLATE				1
45	SS2110920TP	SCREW_11/64-40_L=8.5				2
46	40187311	ARM_THREAD_GUIDE_B	TYPE NB			1
47	22920607	ARM_THREAD_GUIDE_B	TYPE 0B			1

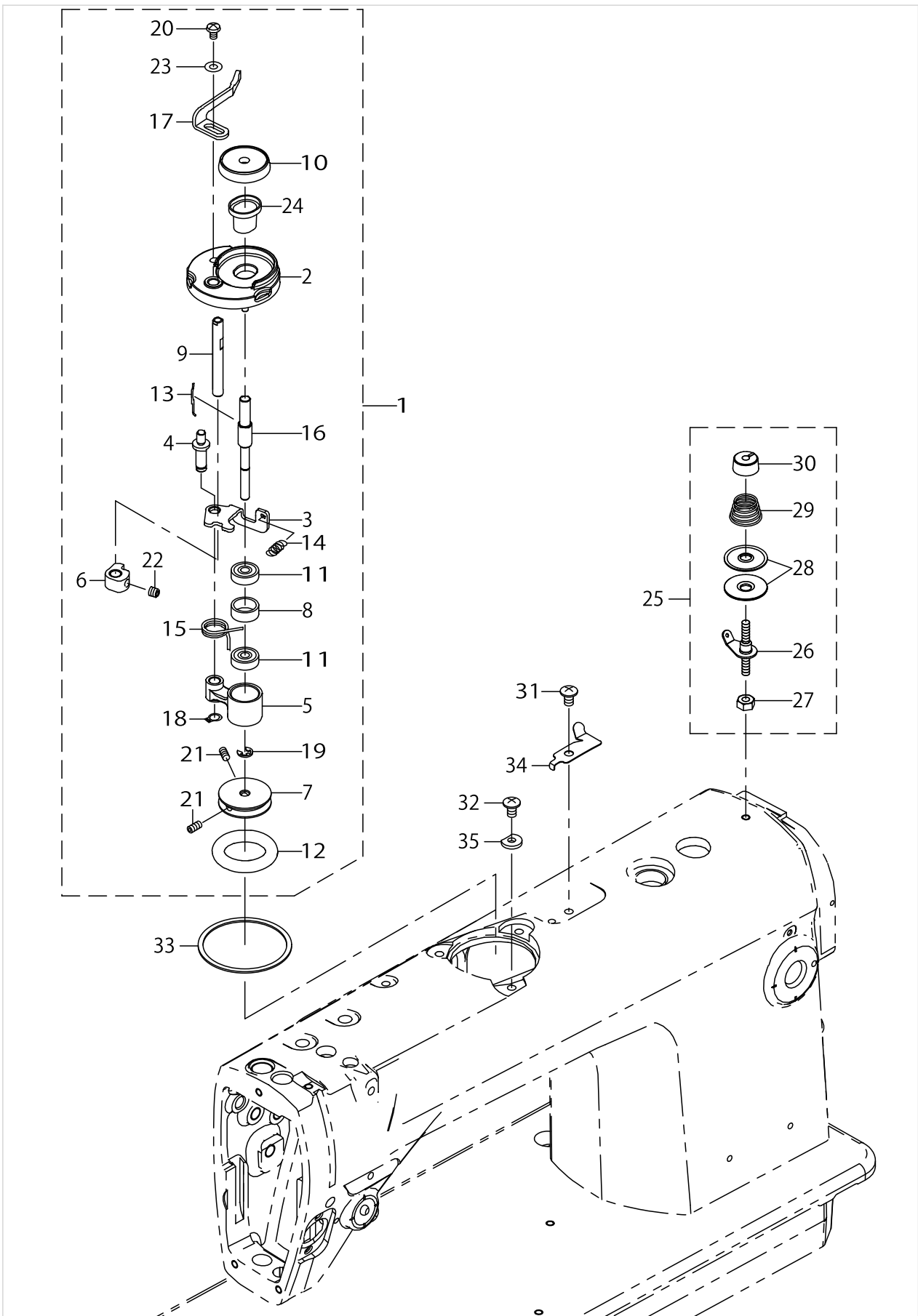
MACHINE FRAME & MISCELLANEOUS COVER COMPONENTS



MACHINE FRAME & MISCELLANEOUS COVER COMPONENTS

No.	Parts No.	Parts name	Remarks	Level	Cons	Qty
48	SS6110610TP	SCREW_11/64-40_L=6				1
49	TA1250406R0	RUBBER_PLUG_D=12.5_L=4				2
50	SS4120925SP	SCREW_3/16-28_L=9				3
51	22901250	SLIDE_PLATE_ASM.				1
52	22901201	SLIDE_PLATE		*		1
53	22901300	SLIDE_PLATE_SPRING		*		1
54	SS6060210SP	SCREW_3/32-56_L=1.9		*		2
55	40187738	ARM_THREAD_GUIDE	TYPE H			1
56	WT0530002KS	TOOTHED_WASHER_D=5.3				1
57	NS6090310SP	NUT_9/64-40	TYPE H			1
58	40099083	RULER_STOP_SEAT				1
59	SS7110720SP	SCREW_11/64-40_L=7				2
60	40126305	SCREW_5/16-24_L=35				1
61	SL6053092TN	SCREW				1
62	SL6054592TN	SCREW				1
63	EA9500B0100	CABLE_BAND				1
64	40126308	CORD_CLAMP				1
65	11403805	THREAD_GUIDE_C_FITTING_PLATE	TYPE H(FOR 0B)			1
66	WP0371016SD	WASHER_3.7X8X1	TYPE H(FOR 0B)			1
67	22901003	BED_SCREW_STUD	TYPE H(FOR 0B)			3
68	40132099	BED_STD_R				1
69	SS4151215SP	SCREW_15/64-28_L=12				1
70	22963458	THREAD_TENSION_ASM.	TYPE H			1
71	22963409	THREAD_TENSION_SPRING	TYPE H	*		1
72	22962054	THREAD_TENSION_ASM.	TYPE H			1
73	22921506	THREAD_TENSION_DISK	TYPE H	*		2
74	22962005	THREAD_TENSION_SPRING	TYPE H	*		1

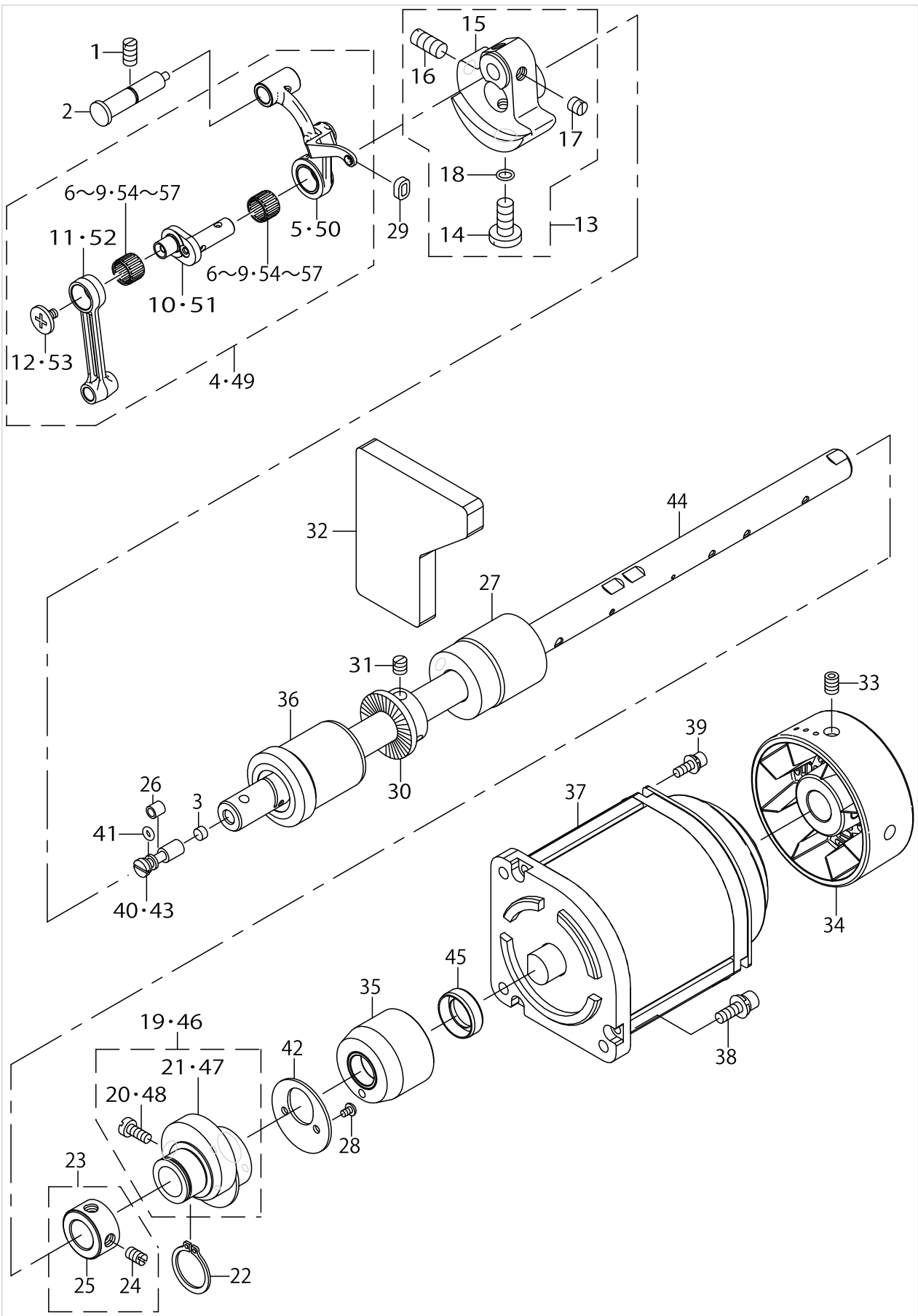
BOBBIN WINDER COMPONENTS



BOBBIN WINDER COMPONENTS

No.	Parts No.	Parts name	Remarks	Level	Cons	Qty
1	40218885	BOBBIN_WINDER_UNIT				1
2	40189600	BTW_BASE		*		1
3	26260208	BTW_CAM_PLATE		*		1
4	26260307	BTW_BASE_SHAFT		*		1
5	26260406	BTW_SHAFT_BASE		*		1
6	26260505	BTW_CAM_LEVER		*		1
7	26260604	BTW_WHEEL		*		1
8	26260802	BTW_BEARING_SPACER		*		1
9	26261008	BTW_LEVER_SHAFT		*		1
10	26261206	BTW_SPACER		*		1
11	26261305	BTW_BEARING		*		2
12	26261503	BTW_WHEEL_RUBBER		*	☆	1
13	26261602	BOBBIN_SPRING		*		1
14	26261701	BTW_SPRING		*		1
15	40011144	BTW_TORSION_SPRING		*		1
16	40110975	BTW_SHAFT		*		1
17	40021933	BTW_LEVER		*		1
18	RC0560711KP	RETAINING_RING		*		1
19	RE0400000K0	E-RING_4		*		1
20	SM5040655SN	SCREW		*		1
21	SM8040802TP	SCREW_M4X8		*		2
22	SM8050502TP	SCREW_M5_L=5		*		1
23	WP0450826SC	WASHER_4.5X10X0.8		*		1
24	40119475	OIL_GUARD		*		1
25	40110731	BOBBIN_THREAD_TENSION_ASSY				1
26	40110734	BOBBIN_THREAD_ROD_ASSY		*		1
27	NS6120630SP	NUT_3/16-28		*		1
28	22921506	THREAD_TENSION_DISK		*		2
29	D7133555B00	CONNECTING_ROD_SPRING		*		1
30	22945703	THREAD_TENSION_NUT		*		1
31	SM0050801SC	SCREW				1
32	SM0050801SC	SCREW				3
33	40163521	PACKING				1
34	40037008	THREAD_CUTTER				1
35	40113241	BTW_SPACER				1

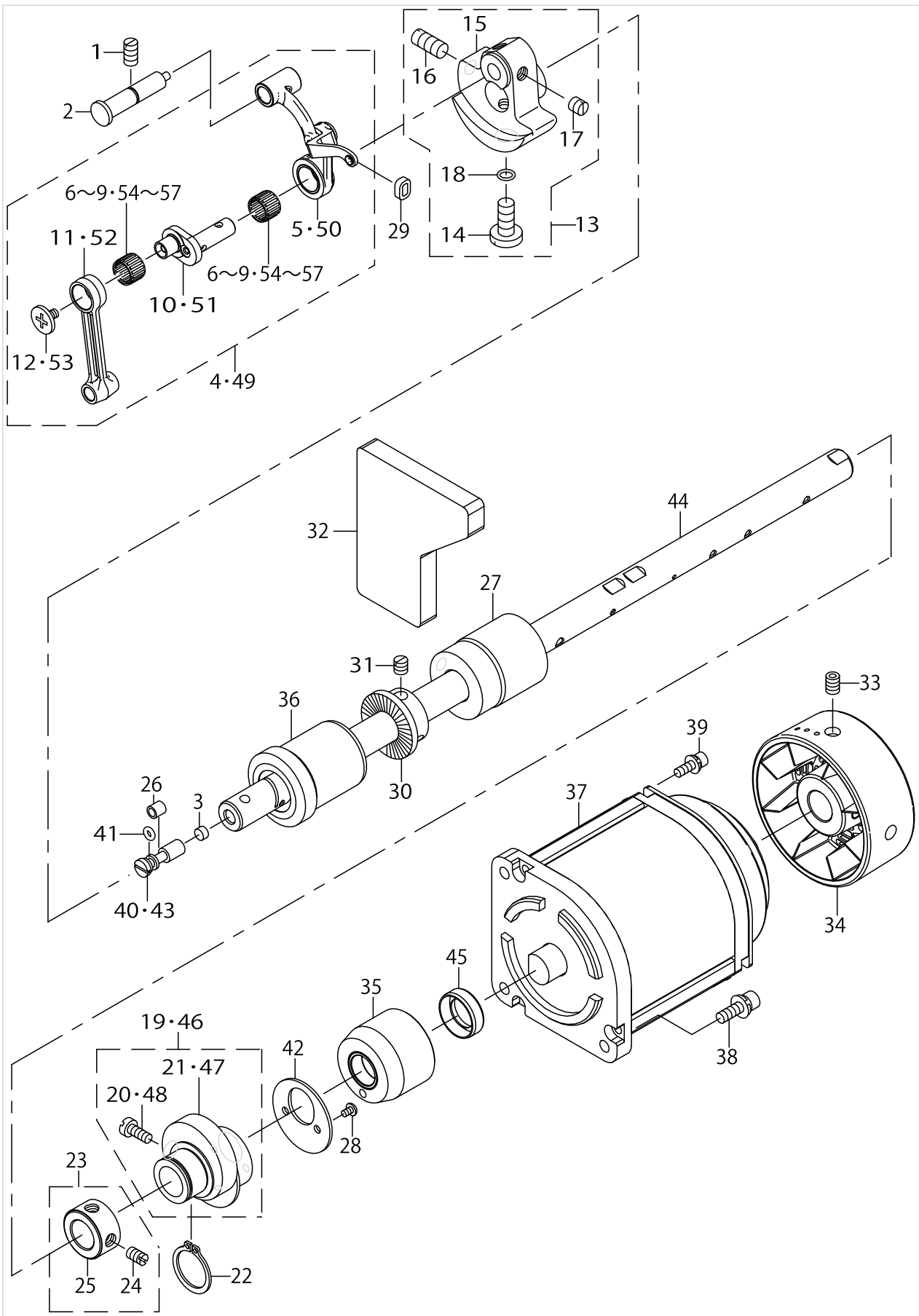
MAIN SHAFT & THREAD TAKE-UP LEVER COMPONENTS



MAIN SHAFT & THREAD TAKE-UP LEVER COMPONENTS

No.	Parts No.	Parts name	Remarks	Level	Cons	Qty
1	SS8151150TP	SCREW_15/64-28_L=10.5				1
2	40106138	THREAD_TAKE-UP_CRANK_SHAFT_ASM.				1
3	11002904	ROLLER_FELT				1
4	22918072	THREAD_TAKE-UP_LEVER_ASM.	TYPE S			1
5	22918064	THREAD_TAKE-UP_LEVER_ASM.	TYPE S	*		1
6	22918403	NEEDLE_BEARING_A	SELECTIVE PARTS(TYPE S)	*		2
7	22918502	NEEDLE_BEARING_B	SELECTIVE PARTS(TYPE S)	*		2
8	22918601	NEEDLE_BEARING_C	SELECTIVE PARTS(TYPE S)	*		2
9	22918700	NEEDLE_BEARING_D	SELECTIVE PARTS(TYPE S)	*		2
10	22918106	NEEDLE_BAR_CRANK	TYPE S	*		1
11	22906606	NEEDLE_BAR_CRANK_ROD	TYPE S	*		1
12	22918304	LEFT_SCREW	TYPE S	*		1
13	40110390	COUNTER_WEIGHT_ASM.				1
14	SS7681650TP	SCREW_9/32-28_L=16		*		1
15	40110376	COUNTER_WEIGHT		*		1
16	SS8681650TP	SCREW_9/32-28_L=16		*		1
17	SS8660610TP	SCREW_1/4-40_L=6		*		2
18	RO044240100	RUBBER_RING		*		1
19	22910053	FEED_DRIVE_ECCENTRIC_CAM_ASM.	TYPE S			1
20	SS6661110SP	SCREW_1/4-40_L=11	TYPE S	*		2
21	22910004	FEED_DRIVE_ECCENTRIC_CAM	TYPE S	*		1
22	RC1850001KP	SNAP_RING_18.5				1
23	40137502	THRUST_COLLAR_ASM.				1
24	SS8660610TP	SCREW_1/4-40_L=6		*		2
25	40137503	MAIN_SHAFT_THRUST_COLLAR		*		1
26	B1215552000	OIL_ADJUSTING_COLLAR				1
27	22903306	BUSHING_INTERMEDIATE				1
28	SS4090615SP	SCREW_9/64-40_L=6				2
29	22919203	OIL_PROTECTING_RUBBER				1
30	22538805	DRIVING_WHEEL				1
31	SS8660610TP	SCREW_1/4-40_L=6				2
32	40111424	FILTER				1
33	SM80608A2TP	SCREW_M6_L=8				2
34	40227630	HAND_PULLY				1
35	40225291	MAIN_SHAFT_BUSHING_REAR				1
36	22903207	MAIN_SHAFT_BUSHING_FRONT				1
37	40222686	AC_SERVO_MOTOR				1
38	SL6051692TN	BOLT				3
39	SL6041242TN	BOLT				3
40	B1213552000A	OIL_ADJUSTING_PIN	TYPE H			1
41	RO029180100	RUBBER_RING				1
42	22910103	THRUST_COLLAR				1
43	22903900	ADJUSTING_PIN	TYPE S			1
44	40222701	MAIN_SHAFT				1
45	40139216	OIL_SEAL				1
46	22970552	FEED_ECCENTRIC_CAM_ASM.	TYPE H			1
47	22970503	FEED_ECCENTRIC_CAM_L	TYPE H	*		1

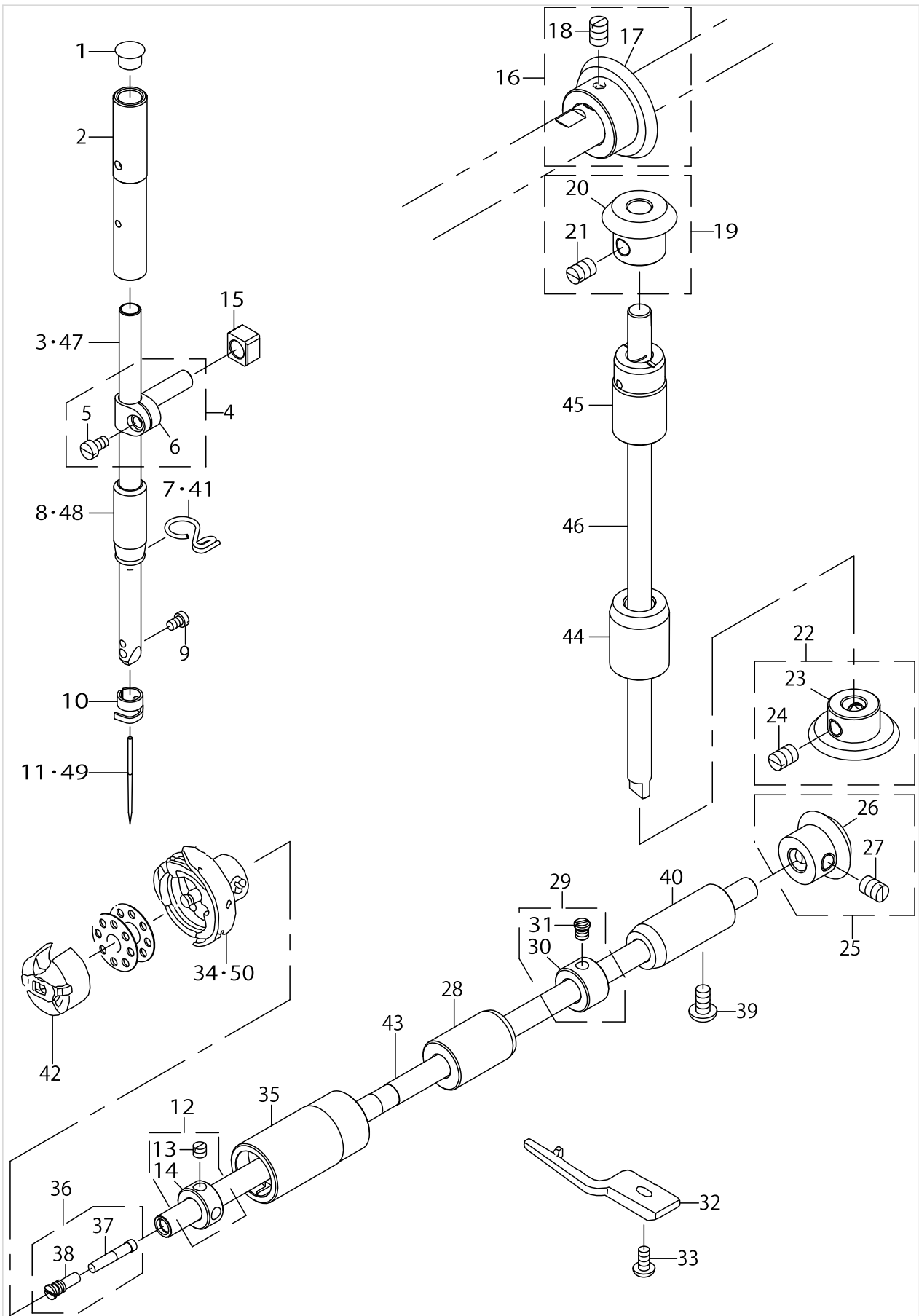
MAIN SHAFT & THREAD TAKE-UP LEVER COMPONENTS



MAIN SHAFT & THREAD TAKE-UP LEVER COMPONENTS

No.	Parts No.	Parts name	Remarks	Level	Cons	Qty
48	22972806	FEED_ECCENTRIC_CAM_SETSCREW	TYPE H	*		2
49	11062858	LINK_THREAD_TAKE-UP_LEVER_ASM.	TYPE H			1
50	11017068	LINK_THREAD_TAKE-UP_LEVER_ASM.	TYPE H	*		1
51	11062809	NEEDLE_BAR_CRANK	TYPE H	*		1
52	B1408552000	NEEDLE_BAR_CRANK_ROD	TYPE H	*		1
53	B1903552000	LEFT_SCREW	TYPE H	*		1
54	B1905541A00	NEEDLE_BEARING	SELECTIVE PARTS(TYPE H)	*		2
55	B1905541B00	NEEDLE_BEARING	SELECTIVE PARTS(TYPE H)	*		2
56	B1905541C00	NEEDLE_BEARING	SELECTIVE PARTS(TYPE H)	*		2
57	B1905541D00	NEEDLE_BEARING	SELECTIVE PARTS(TYPE H)	*		2

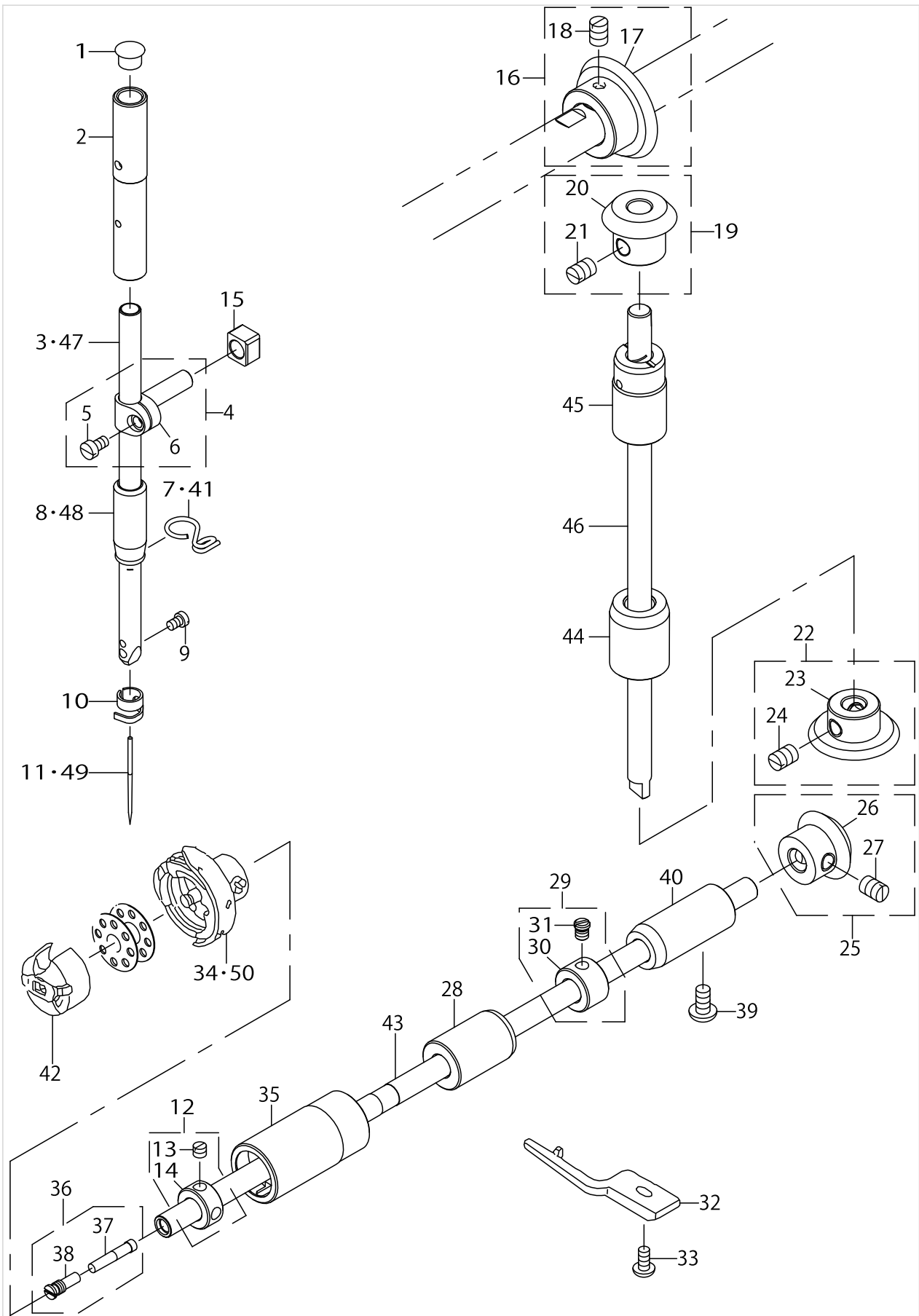
NEEDLE BAR, UPRIGHT SHAFT & HOOK DRIVING SHAFT COMPONENTS



NEEDLE BAR, UPRIGHT SHAFT & HOOK DRIVING SHAFT COMPONENTS

No.	Parts No.	Parts name	Remarks	Level	Cons	Qty
1	TA0850604R0	RUBBER_PLUG				1
2	22906101	NEEDLE_BAR_BUSHING_UPPER				1
3	22939508	NEEDLE_BAR	TYPE S			1
4	22906457	NEEDLE_BAR_HOLDER_ASM.				1
5	SS6090670TP	SCREW_9/64-40_L=6		*		1
6	22906408	NEEDLE_ROD_HOLDER		*		1
7	40023223	NEEDLE_BAR_THREAD_GUIDE	TYPE H			1
8	22906200	NEEDLE_BAR_BUSHING_LOWER	TYPE S			1
9	SS7080510TP	SCREW_1/8-44_L=4.5				1
10	22970404	NEEDLE_BAR_THREAD_HOOK				1
11	MDB100B1400	NEEDLE_DBX1_#14	TYPE S		☆	1
12	22917058	THRUST_COLLAR_ASM.FRONT				1
13	SS8110410TP	SCREW_11/64-40_L=3.5		*		2
14	22917009	THRUST_COLLAR_FRONT		*		1
15	40090058	SLIDE_BLOCK				1
16	40090002	UPPER_LARGE_BEVEL_GEAR_ASM.				1
17	40090006	UPPER_LARGE_BEVEL_GEAR		*		1
18	SS8660810TP	SCREW_1/4-40_L=8		*		2
19	40090003	UPPER_SMALL_BEVEL_GEAR_ASM.				1
20	40090007	UPPER_SMALL_BEVEL_GEAR		*		1
21	SS8660810TP	SCREW_1/4-40_L=8		*		2
22	40090004	LOWER_LARGE_BEVEL_GEAR_ASM.				1
23	40090008	LOWER_LARGE_BEVEL_GEAR		*		1
24	SS8660810TP	SCREW_1/4-40_L=8		*		2
25	40090005	LOWER_SMALL_BEVEL_GEAR_ASM.				1
26	40090009	LOWER_SMALL_BEVEL_GEAR		*		1
27	SS8660810TP	SCREW_1/4-40_L=8		*		2
28	40127191	HOOK_DRIVING_SHAFT_M				1
29	40136014	THRUST_COLLAR_ASM.				1
30	40136013	HOOK_DRIVING_SHAFT_THRUST_COLLAR		*		1
31	SS6110420TP	SCREW_11/64-40_L=4.8		*		2
32	22916407	BOBBIN_CASE_POSITIONING_FINGER				1
33	SS6111210SP	SCREW_11/64-40_L=12				1
34	40153440	HOOK_ASM.	TYPE S		☆	1
35	40127177	HOOK_DRIVING_SHAFT_F				1
36	22916555	OIL_SEAL_SCREW_ASM.				1
37	11015906	OIL_WICK		*		1
38	22916506	SET_SCREW		*		1
39	SS4120915SP	SCREW_3/16-28_L=9				1
40	22916308	HOOK_DRIVING_SHAFT_BUSH_REAR				1
41	40141523	NEEDLE_BAR_THREAD_GUIDE_P	TYPE S			1
42	40211519	BOBBIN_CASE_ASM.			☆	1
43	40127192	HOOK_DRIVING_SHAFT				1
44	22905202	UPRIGHT_SHAFT_BUSHING_LOWER				1
45	22905103	UPRIGHT_SHAFT_BUSHING_UPPER				1
46	22905004	UPRIGHT_SHAFT				1
47	22970206	NEEDLE_BAR	TYPE H			1

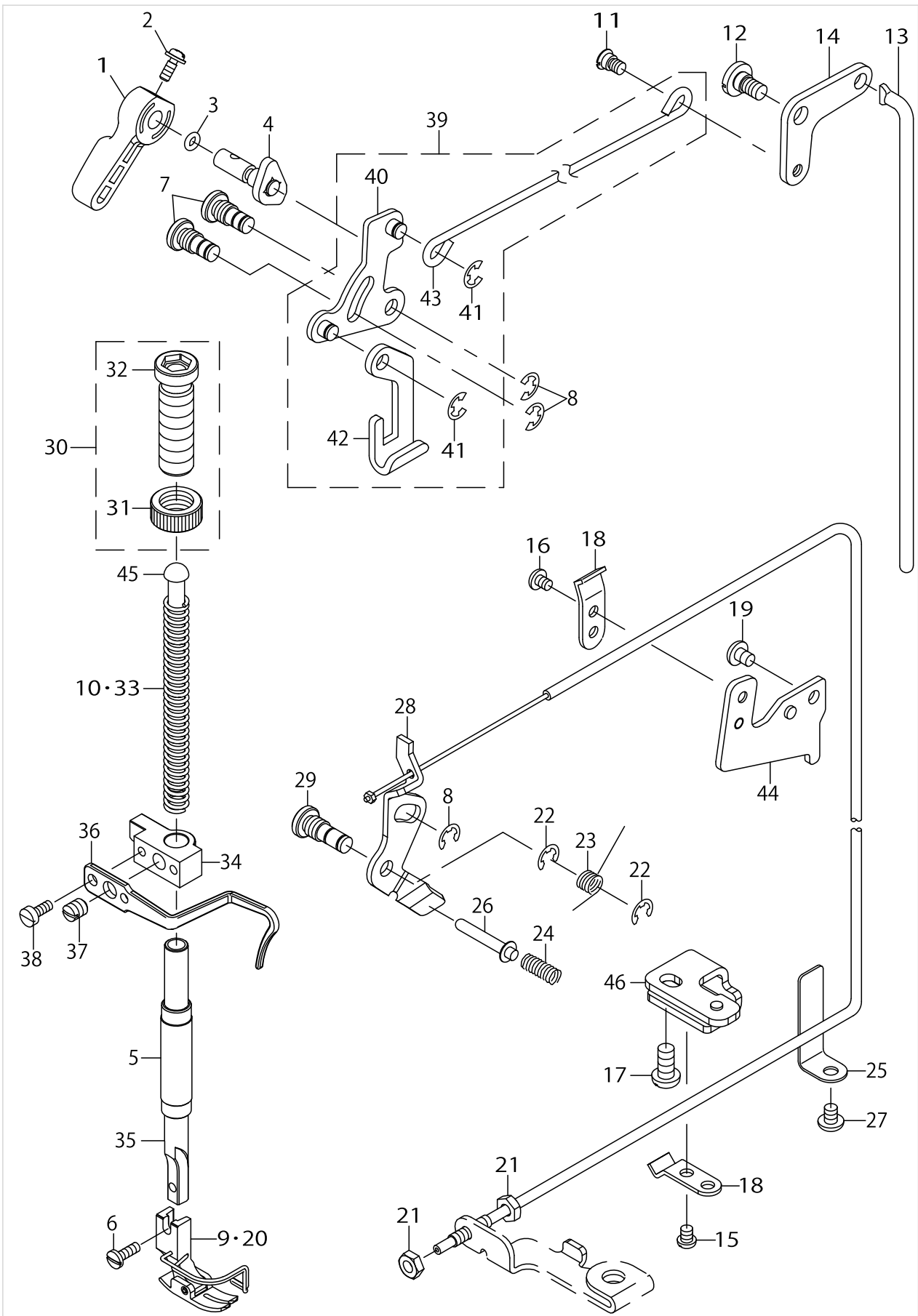
NEEDLE BAR, UPRIGHT SHAFT & HOOK DRIVING SHAFT COMPONENTS



NEEDLE BAR, UPRIGHT SHAFT & HOOK DRIVING SHAFT COMPONENTS

No.	Parts No.	Parts name	Remarks	Level	Cons	Qty
48	40171515	NEEDL_BAR_BUSHING	TYPE H			1
49	MDP500B2100	NEEDLE_DPX5_#21	TYPE H		☆	1
50	40035058	HOOK_ASM.	TYPE H		☆	1

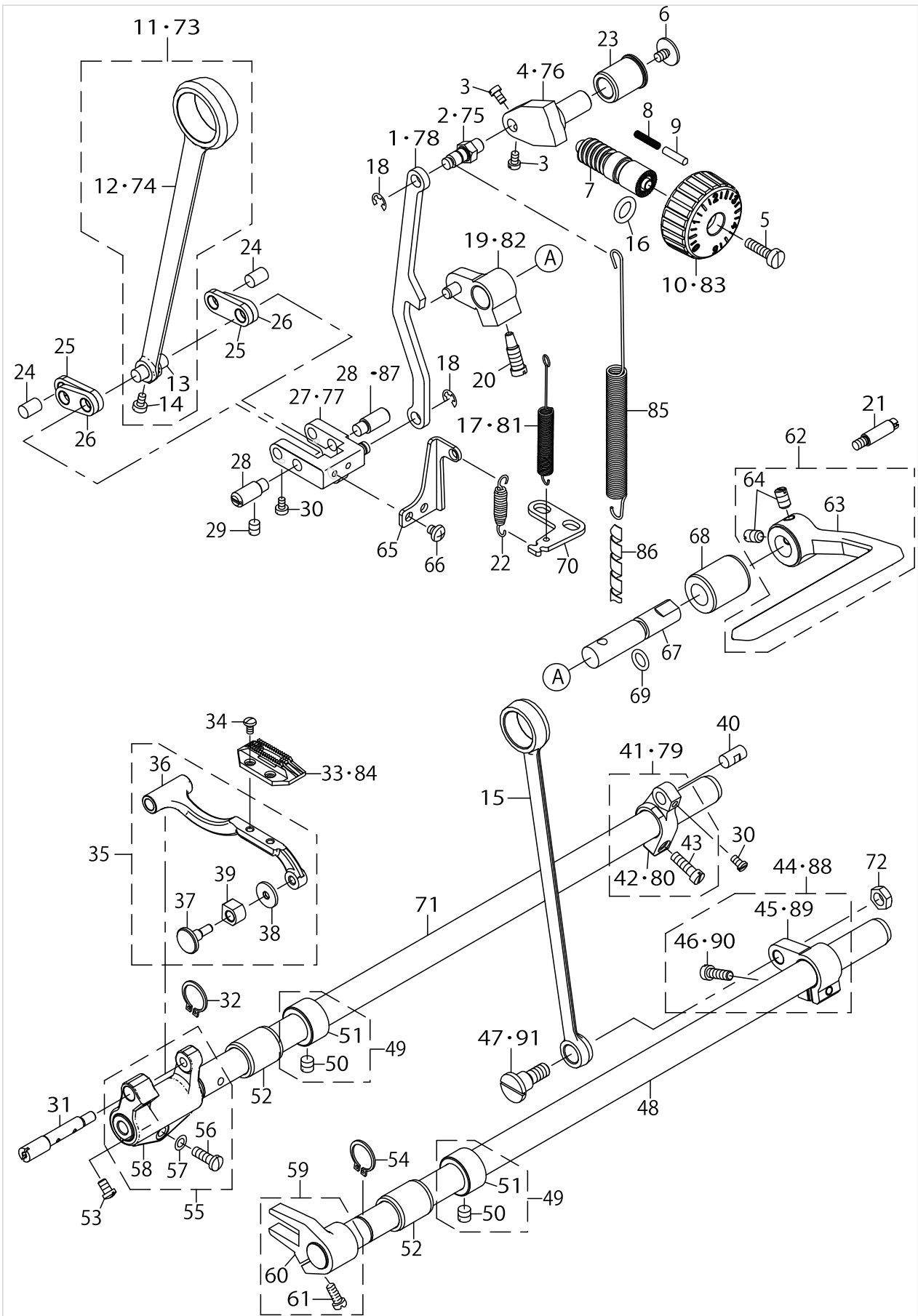
HAND LIFTER COMPONENTS



HAND LIFTER COMPONENTS

No.	Parts No.	Parts name	Remarks	Level	Cons	Qty
1	22907802	HAND_LIFTER				1
2	B1521555000	SCREW				1
3	RO037180100	RUBBER_RING				1
4	22908552	HAND_LIFTER_CAM_ASM.				1
5	40060989	PRESSER_BAR_BUSHING_LOWER				1
6	SS7091110TP	SCREW_9/64-40_L=10.5				1
7	22908701	LINK_SHAFT				2
8	RE0500000K0	E-RING				3
9	B15240120BA	PRESSER_FOOT_ASM.	TYPE 0B,NB			1
10	B1505552000A	PRESSER_SPRING	TYPE H			1
11	22908909	HINGE_SCREW				1
12	SD0720331SP	HINGE_SCREW_D=7.24_H=3.3				1
13	22909006	KNEE_LIFTER_CONNECTING_ROD				1
14	22908800	KNEE_LIFTER_LINK				1
15	SS4110515SP	SCREW_11/64-40_L=5				1
16	SS4110515SP	SCREW_11/64-40_L=5				1
17	SS4150915SP	SCREW_15/64-28_L=9				1
18	22944508	WIRE_PRESSER_A				2
19	SS4120615SP	SCREW_3/16-28_L=6				1
20	D1524555EBL	PRESSER_FOOT_ASM.	TYPE H			1
21	NS6620310SP	NUT_3/16-32				2
22	RE0500000K0	E-RING				2
23	22920201	RETURN_SPRING				1
24	22920409	THREAD_RELEASE_PIN_SPRING				1
25	22945109	WIRE_CABLE_SUPPORT				1
26	22920300	THREAD_RELEASE_SUPPORTING_PIN				1
27	SS4120615SP	SCREW_3/16-28_L=6				1
28	40132068	THREAD_RELEASE_WIRE_ASM.				1
29	22920102	TENSION_RELEASE_SHAFT				1
30	22907554	PRESSER_SPRING_REGULATOR_ASM.				1
31	22907604	PRESSER_SPRING_REGULATOR_NUT		*		1
32	22907505	PRESSER_SPRING_REGULATOR		*		1
33	22907406	PRESSER_SPRING	TYPE 0B,NB			1
34	40098388	PRESSER_BAR_GUIDE_BRACKET				1
35	40017805	PRESSER_BAR				1
36	22907307	THREAD_GUIDE	TYPE 0B			1
37	SS8660810TP	SCREW_1/4-40_L=8				1
38	SS6090910SP	SCREW_9/64-40_L=9	TYPE 0B			2
39	22908354	KNEE_LIFTING_CROSS_ROD_ASM.				1
40	22908156	LIFTING_LINK_ASM.		*		1
41	RE0500000K0	E-RING		*		2
42	22908008	LIFTING_PLATE		*		1
43	22908305	KNEE_LIFTER_SIDE_ROD		*		1
44	40132067	WIRE_PRESSER_BASE				1
45	22907703	PRESSER_GUIDE_BAR				1
46	40127189	WIRE_PRESSER_SUPPORT				1

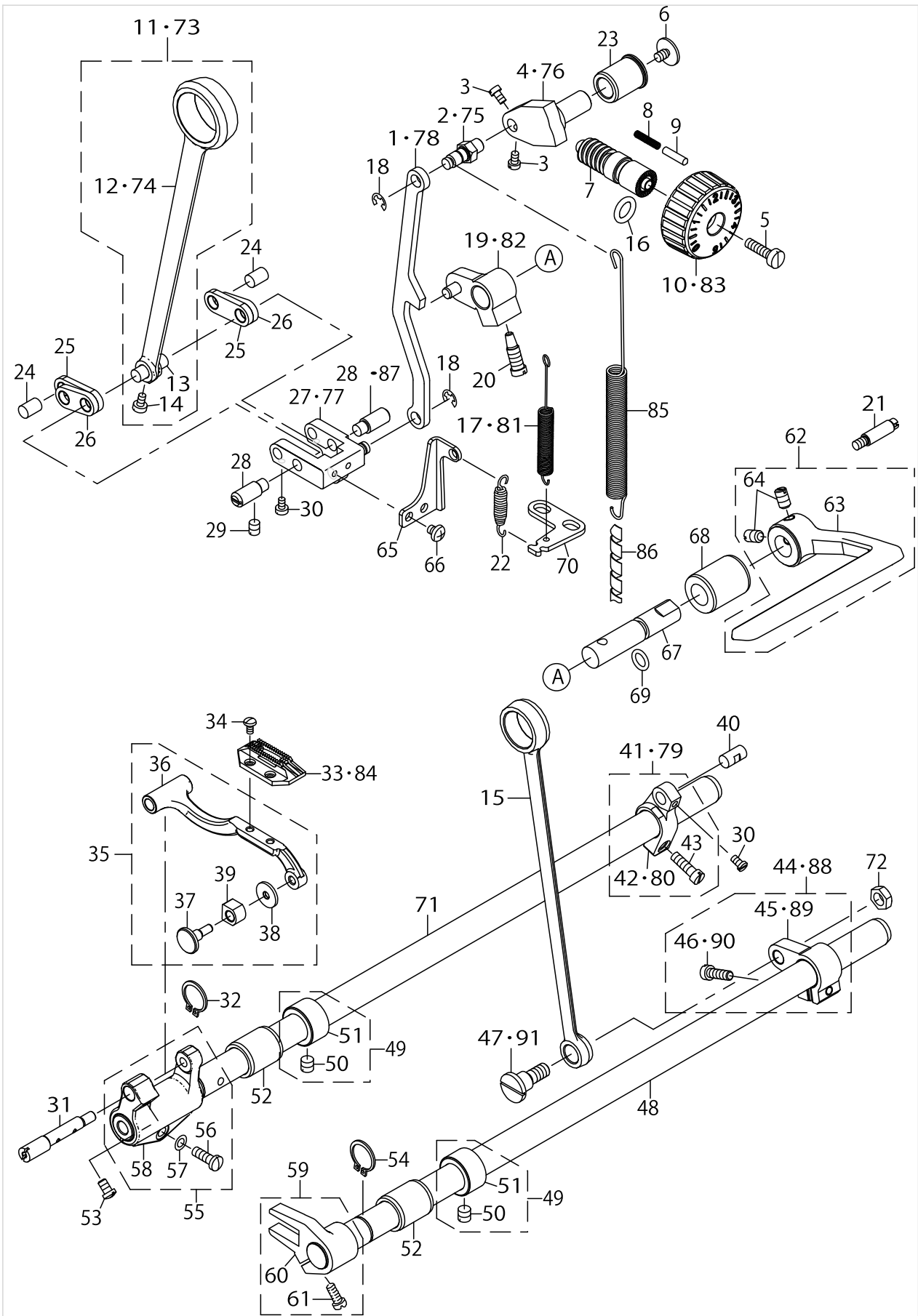
FEED MECHANISM COMPONENTS



FEED MECHANISM COMPONENTS

No.	Parts No.	Parts name	Remarks	Level	Cons	Qty
1	22941108	FEED_ADJUST_ROD	TYPE S			1
2	22911507	WALKING_FOOT_PIN_C	TYPE S			1
3	SS6090670TP	SCREW_9/64-40_L=6				2
4	22911606	FEED_REGULATOR	TYPE S			1
5	SS6121860SP	SCREW_3/16-28_L=18				1
6	SS7120770SH	SCREW_3/16-28_L=7				1
7	22911804	FEED_REGULATOR_SCREW				1
8	22912109	FEED_REGULATOR_PIN_SPRING				1
9	22912000	FEED_REGULATOR_PIN				1
10	40101726	FEED_DIAL	TYPE S			1
11	22910251	CONNECTING_ROD_ASM.	TYPE S			1
12	22910202	ROCKER_SHAFT_CONNECTING_ROD	TYPE S	*		1
13	22911101	WALKING_FOOT_PIN_C		*		1
14	SS6090620TP	SCREW		*		1
15	22915003	CONNECTING_ROD				1
16	RO092270200	RUBBER_RING				1
17	11010311	LEVER_SPRING	TYPE S			1
18	RE0500000K0	E-RING				2
19	22912257	FEED_REVERSE_ARM_ASM.	TYPE S			1
20	22912505	FEED_REVERSE_ARM_SCREW	TYPE S			1
21	40115888	LEVER_STOPPER_ASSY				1
22	11037405	SPRING	TYPE S			1
23	11009800	FEED_REGULATOR_BUSHING				1
24	22910905	WALKING_FOOT_PIN_A				2
25	40089548	CONNECTING_LINK_B				2
26	40093417	CONNECTING_LINK_A				2
27	22940951	FEED_ADJUST_LINK_ASM.	TYPE S			1
28	22910806	ADJUST_LINK_FULCRUM_SHAFT_A				2
29	SS6151220SP	SCREW_15/64-28_L=11.5				2
30	SS6090620TP	SCREW				3
31	22940803	FEED_BAR_SHAFT				1
32	RC0150001KP	RETAINING_RING_13.8				1
33	40133950	FEED_DOG_M	TYPE S		☆	1
34	SS4080620TP	SCREW_1/8-44_L=6				2
35	22940753	FEED_BASER_ASM.				1
36	22940704	FEED_BASER		*		1
37	B1706555000	VERTICAL_FEED_SQUARE_BLOCK_SHAFT		*		1
38	22913503	WASHER		*		1
39	22913602	VERTICAL_FEED_SQUARE_BLOCK		*		1
40	22911002	WALKING_FOOT_PIN_B				1
41	40110379	ASSY_FEED_ROCKER_ARM	TYPE S			1
42	40110378	FEED_ROCKER_ARM	TYPE S	*		1
43	SS6121610SP	SCREW_3/16-28_L=15.5		*		1
44	40109422	FEED_ARM_ASM	TYPE S			1
45	40108863	FEED_ARM	TYPE S	*		1
46	SS7121610SP	SCREW_3/16-28_L=15.5	TYPE S	*		1
47	SD1000801SH	HINGE_SCREW_D=10_H=8	TYPE S			1

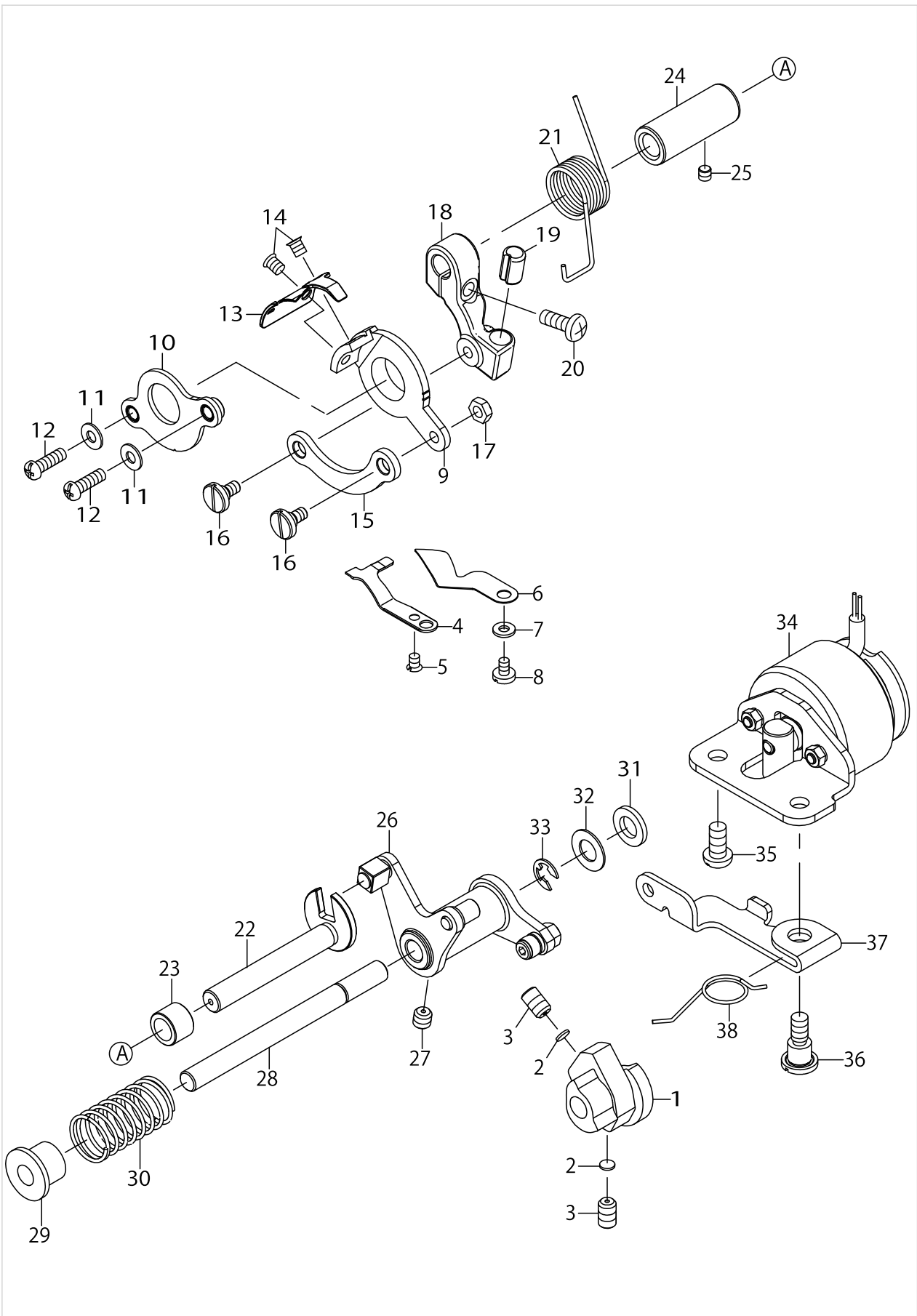
FEED MECHANISM COMPONENTS



FEED MECHANISM COMPONENTS

No.	Parts No.	Parts name	Remarks	Level	Cons	Qty
48	22915201	FEED_DRIVING_SHAFT				1
49	40137504	THRUST_COLLAR_ASM				1
50	SS8660610TP	SCREW_1/4-40_L=6		*		2
51	40137505	FEED_ROCKER_SHAFT_THRUST_COLLAR		*		1
52	22913008	FEED_ROCKER_SHAFT_BUSHING				2
53	SS7110740TP	SCREW_11/64-40_L=7				1
54	RC0150001KP	RETAINING_RING_13.8				1
55	22940654	FEED_ROCKER_ASM.				1
56	SS7121410TP	SCREW_3/16-28_L=14		*		1
57	WP0480856SP	WASHER_4.8X8.4X0.8		*		1
58	22940605	FEED_ARM		*		1
59	22915359	DRIVING_SHAFT_CRANK_ASM.				1
60	22915300	RIVING_SHAFT_CRANK		*		1
61	SS7111120SP	SCREW_11/64-40_L=10.5		*		1
62	40102264	FEED_REVER_ASM.				1
63	22912703	FEED_LEVER		*		1
64	SM8061010TP	SCREW		*		2
65	40230589	REGULATOR_SPRING_HOOK_PLATE	TYPE S			1
66	SS4110515SP	SCREW_11/64-40_L=5	TYPE S			2
67	40100812	FEED_LEVER_SHAFT				1
68	22912802	FEED_LEVER_SHAFT_BUSHING				1
69	RO078190100	RUBBER_RING				1
70	40230521	FEED_SPRING_HOOK_PLATE				1
71	40133779	FEED_ROCKER_SHAFT				1
72	NS6680410SP	NUT_9/32-28				1
73	22970750	HORIZONTAL_FEED_ROD_ASM.	TYPE H			1
74	22970701	HORIZONTAL_FEED_ROD	TYPE H	*		1
75	22971204	FEED_REGULATOR_BASE_PIN	TYPE H			1
76	22971303	FEED_REGULATOR_BASE	TYPE H			1
77	40031240	FEED_ADJUST_LINK_ASM.	TYPE H			1
78	40039673	FEED_ADJUST_ROD	TYPE H			1
79	22970859	HORIZONTAL_FEED_ARM_ASM.	TYPE H			1
80	22970800	HORIZONTAL_FEED_AR	TYPE H	*		1
81	22971709	FEED_REVERSE_SPRING	TYPE H			1
82	22971550	FEED_LEVER_ARM_ASM.	TYPE H			1
83	40039674	FEED_DIAL	TYPE H			1
84	11403003	FEED_J	TYPE H		☆	1
85	40225300	FEED_REGULATOR_SPRING_7H	TYPE H			1
86	HX001890000	SPIRAL_TUBE	TYPE H			0.1
87	40010395	ADJUSTING_LINK_FULCRUM_SHAFT_B	TYPE H			1
88	22972251	VERTICAL_FEED_ARM_ASM.	TYPE H			1
89	22972202	VERTICAL_FEED_ARM	TYPE H	*		1
90	SS6121210SP	SCREW_3/16-28_L=12	TYPE H	*		1
91	40031249	HINGE_SCREW	TYPE H			1

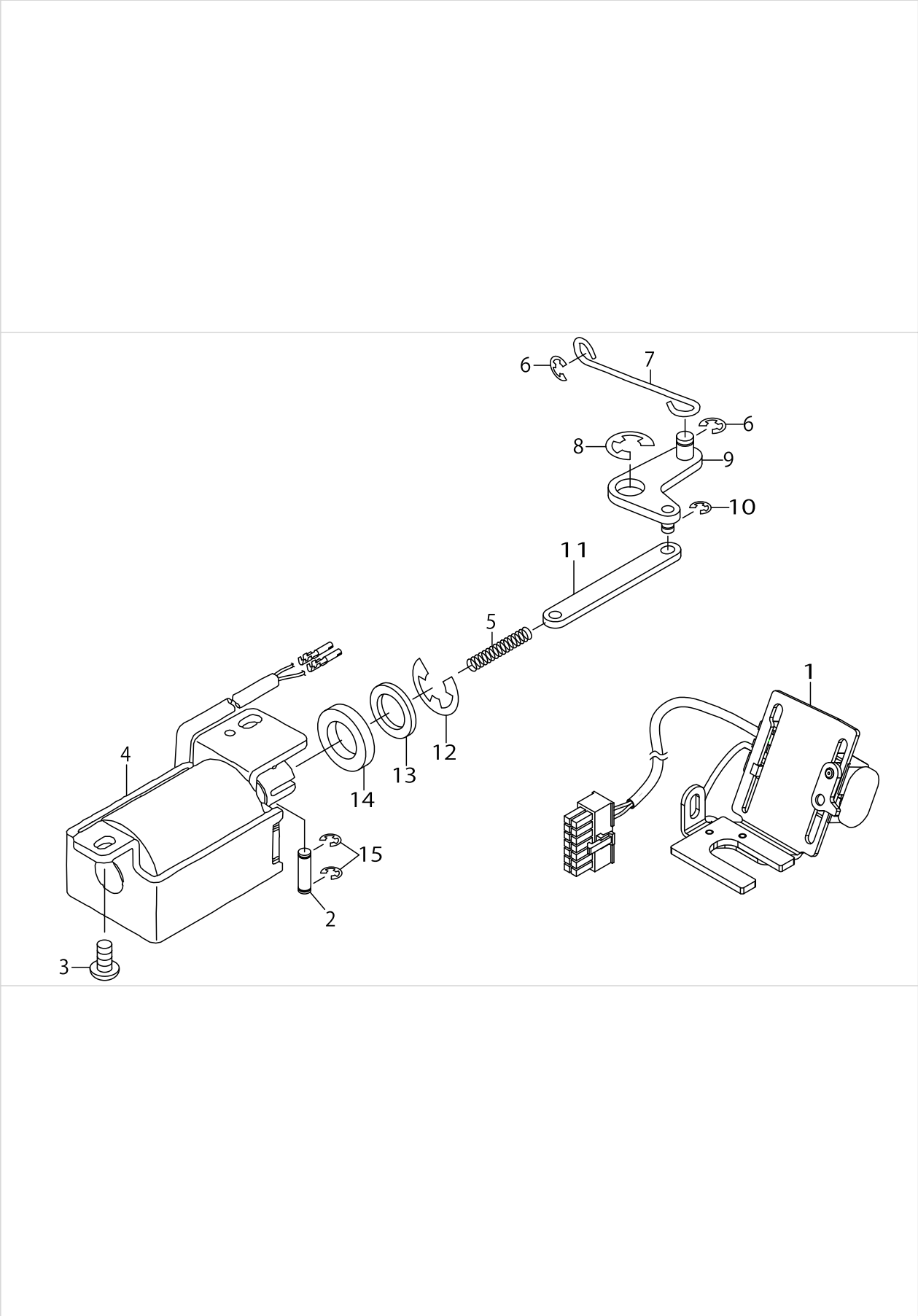
THREAD TRIMMER COMPONENTS



THREAD TRIMMER COMPONENTS

No.	Parts No.	Parts name	Remarks	Level	Cons	Qty
1	40127152	THREAD_TRIMMER_CAM				1
2	40127153	SPACER				2
3	SS8661012TP	SCREW				2
4	40127154	COUNTER_KNIFE			☆	1
5	SS1090520TP	SCREW_9/64-40_L=5				1
6	40127155	LOWER_THREAD_FINGER				1
7	WP0371016SD	WASHER_3.7X8X1				1
8	SS7090610SP	SCREW_9/64-40_L=6				1
9	40127156	MOVING_KNIFE HOLDER				1
10	40127157	KNIFE HOLDER_PRESSER_ASSY				1
11	WP0450826SC	WASHER_4.5X10X0.8				2
12	SS4111415SP	SCREW_11/64-40_L=14				2
13	40187740	MOVING_KNIFE			☆	1
14	11351806	SCREW				2
15	40127161	THREAD_TRIMMER_CONNECTING_ROD				1
16	SD0600291TP	HINGE_SCKEW_D=6_H=2.9				2
17	NS6110350SP	NUT_11/64-40				1
18	40184556	THREAD_TRIMMER_ARM				1
19	40127163	LEVER_STOPPER			☆	1
20	SS4121415SP	SCREW_3/16-28_L=14				1
21	40127164	SPRING				1
22	40127165	FORKED_SHAFT				1
23	40127166	COLLAR				1
24	40127167	FORKED_SHAFT_BUSH				1
25	SS8110422TP	SCREW_11/64-40_L=4				1
26	40127168	THREAD_TRIMMER_CAM_LEVER_ASSY				1
27	SS8660612TP	SCREW_1/4-40_L=6				1
28	40127180	THREAD_TRIMMER_CAMLEVER_SHAFT				1
29	40127181	COLLAR				1
30	40127182	SPRING				1
31	40127183	CUSHION				1
32	WP0820816SD	WASHER_8.2X16X0.8				1
33	RE0600000K0	E-RING_6				1
34	40132143	THREAD_TRIMMER_SOLENOID_ASM				1
35	SS4151215SP	SCREW_15/64-28_L=12				1
36	SD0850751SP	HINGE_SCREW_D=8.50_H=7.5				1
37	40127188	THREAD_RELEASE_LEVER				1
38	40127190	RETURN_SPRING				1

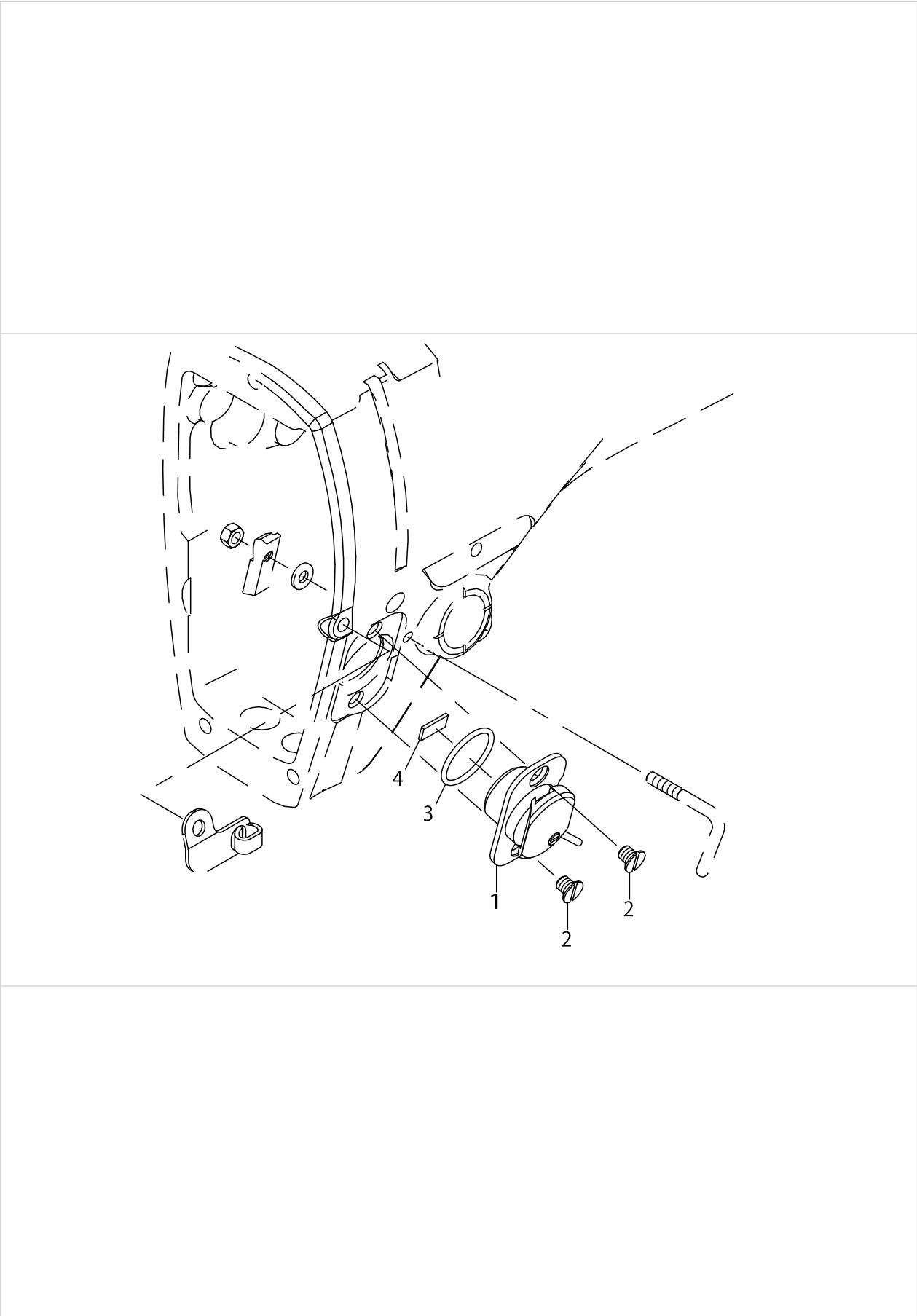
AUTOMATIC REVERSE FEED COMPONENTS



AUTOMATIC REVERSE FEED COMPONENTS

No.	Parts No.	Parts name	Remarks	Level	Cons	Qty
1	40230319	LED_BT_SWITCH_ASSY_7A				1
2	22953509	PLUNGER_ARM_PIN				1
3	SS4151215SP	SCREW_15/64-28_L=12				2
4	40130594	REVERSE_FEED_SOLENOID				1
5	22954002	PLUNGER_SPRING				1
6	RE0500000KP	E-RING_5				2
7	11101300	REVERSE_FEED_CONNECTING_SHAFT				1
8	RE0900000K0	E-RING_9				1
9	22953657	CONNECTING_ARM_ASM.				1
10	RE0400000KP	E-RING_4				1
11	40132066	CONNECTING_LINK				1
12	RE1200000K0	E-RING_12				1
13	WP1602616SZ	WASHER_16X24X2.6				1
14	22953400	RUBBER_PLUNGER				1
15	RE0400000K0	E-RING_4				2

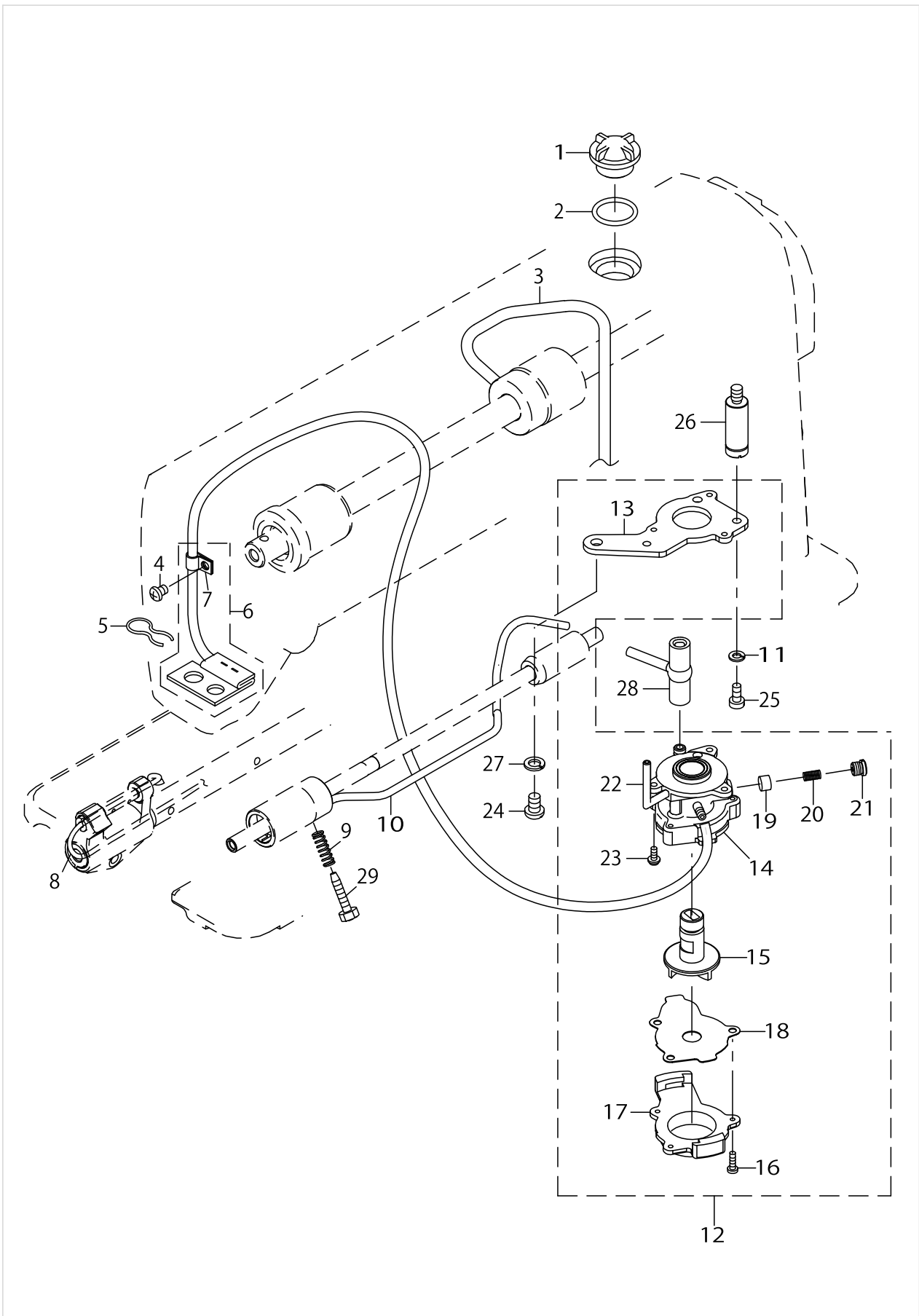
EXCLUSIVE PARTS TYPE NB



EXCLUSIVE PARTS TYPE NB

No.	Parts No.	Parts name	Remarks	Level	Cons	Qty
1	40225399	THREAD_NIPPER_SET				1
2	SS1110640TP	SCREW_11/64-40_L=5.5				2
3	G1164870000	SUCTION_O-RING				1
4	13403605	RUBBER_PLATE				1

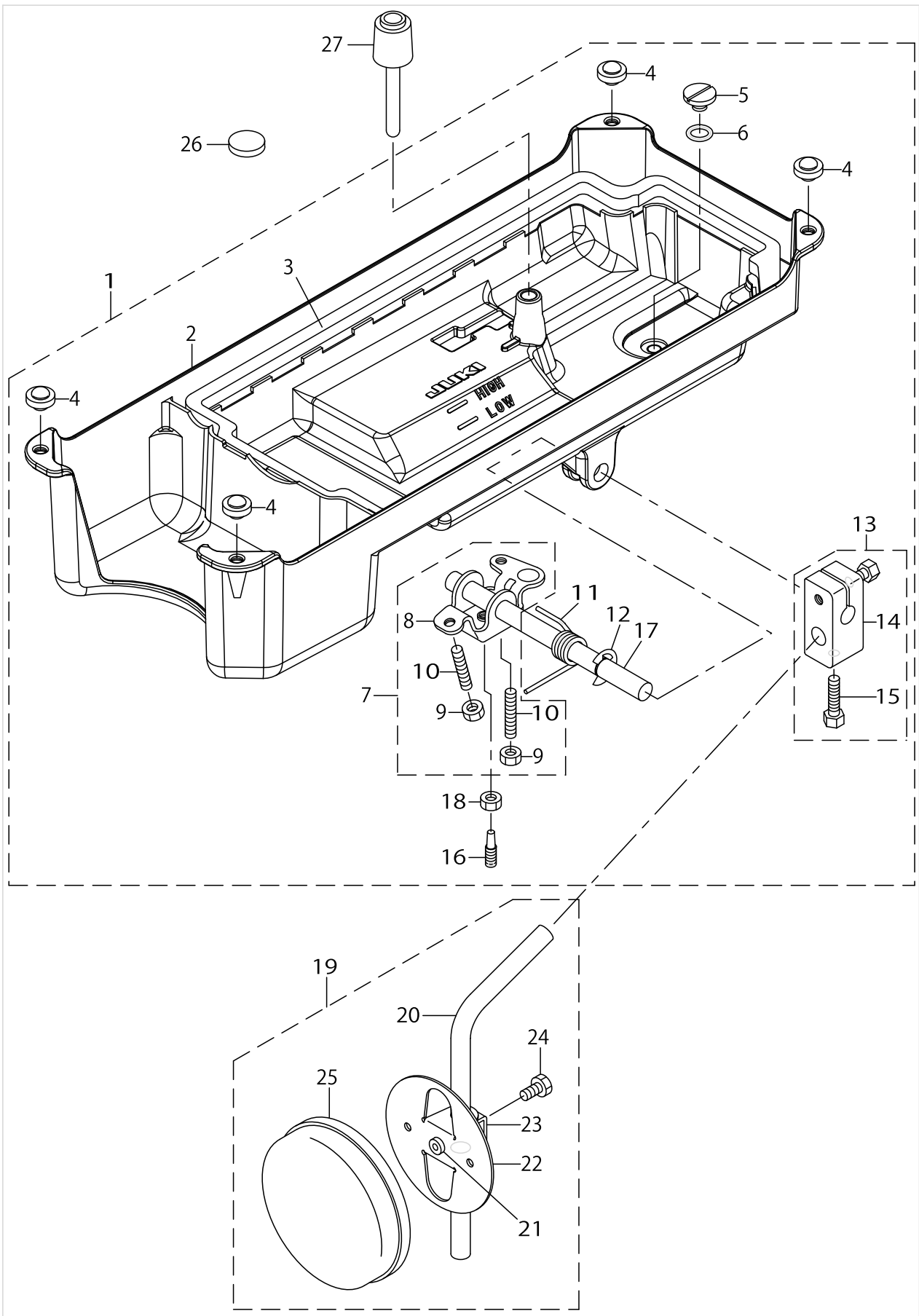
OIL LUBRICATION COMPONENTS



OIL LUBRICATION COMPONENTS

No.	Parts No.	Parts name	Remarks	Level	Cons	Qty
1	22924708	OIL_SIGHT_WINDOW				1
2	RO195240100	RUBBER_RING				1
3	22924401	MAIN_SHAFT_OIL_TUBE				1
4	SS4120615SP	SCREW_3/16-28_L=6				1
5	22925101	OIL_FELT_PRESSER				1
6	22924153	OIL_RETURN_TUBE_ASM.				1
7	22924302	HOLDER		*		1
8	CQ252000000	OIL_WICK				0.21
9	40127179	OIL_REGULATOR_SPRING				1
10	40127193	HOOK_OIL_TUBE				1
11	WS0451040KP	SPRING_WASHER_4.5X8.5X1				1
12	22923056	LUBRICATING_OIL_PUMP_ASM.				1
13	22923312	OIL_PUMP_INSTALLING_BASE		*		1
14	22923015	OIL_PUMP		*		1
15	22923700	OIL_PUMP_IMPELLER		*		1
16	SE4301041SR	SCREW_D=3_L=10		*		1
17	22923205	LUBRICATING_OIL_PUMP_COVER		*		1
18	22923809	OIL_PUMP_IMPELLER_COVER		*		1
19	22923403	PLUNGER		*		1
20	22923601	PLUNGER_SPRING		*		1
21	22923502	PLUNGER_SCREW		*		1
22	22923908	HOOK_DRIVING_SHAFT_OIL_TUBE		*		1
23	SL4030851SF	SCREW_M3_L=8		*		3
24	SS4150915SP	SCREW_15/64-28_L=9				1
25	SS6111010TP	SCREW_11/64-40_L=9.5				1
26	22947105	OIL_PUMP_SUPPORT				1
27	WS0651310KP	SPRING_WASHER_6.5X11X1.3				1
28	22924609	RUBBER_JOINT				1
29	40127178	OIL_REGULATOR_SCREW				1

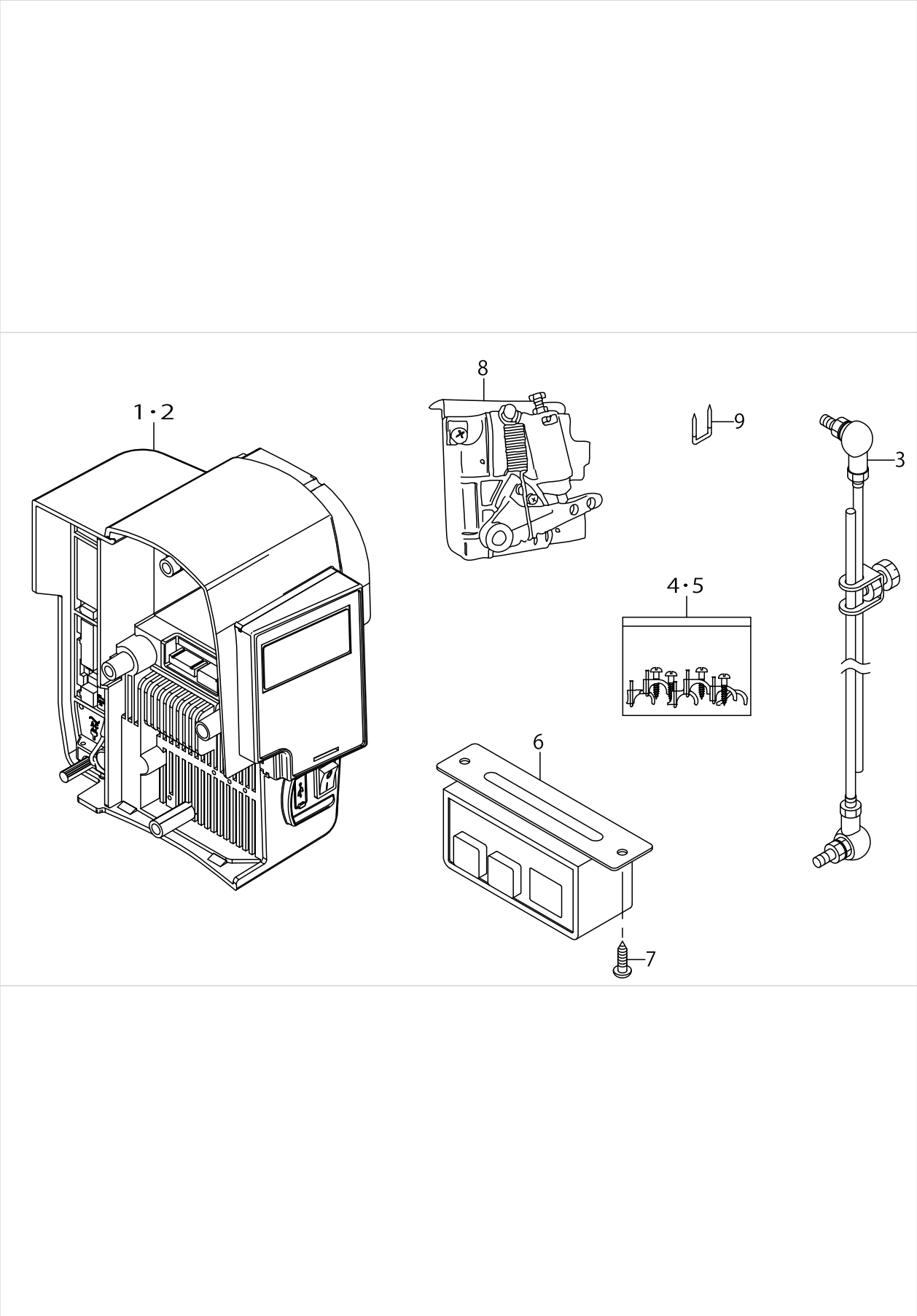
OIL RESERVOIR COMPONENTS



OIL RESERVOIR COMPONENTS

No.	Parts No.	Parts name	Remarks	Level	Cons	Qty
1	40111876	OIL_RESERVER_ASM.				1
2	40105821	OIL_RESERVOIR		*		1
3	22931901	OIL_RESERVOIR_GASKET		*		1
4	B1116210D00	FRAME_SUPPORT_RUBBER		*		4
5	SS6700710SH	SCREW_5/16-24_L=7		*		1
6	RO098240100	RUBBER_RING		*		1
7	22932156	KNEE_LIFTER_ROTATION_ARM_ASM.		*		1
8	22932107	KNEE_LIFTING_ROTATING_ARM		*		1
9	NM6060001SE	NUT_M6		*		2
10	SM8063012TR	SCREW_M6_L=30		*		2
11	22932206	SPRING		*		1
12	RE1000000K0	E-RING_10		*		1
13	22932453	BRACKET_ASM.		*		1
14	22932404	BRACKET		*		1
15	22934707	SCREW		*		2
16	40101720	SCREW_M6		*		1
17	40101541	KNEE_PRESS_CROSS_SHAFT		*		1
18	NM6060001SE	NUT_M6		*		1
19	22934251	KNEE_PAD_PLATE_ASM.				1
20	22934608	KNEE_PAD_UPRIGHT_SHAFT		*		1
21	22934400	KNEE_PAD_PLATE_RUBBER		*		1
22	22934202	KNEE_PAD_PLATE		*		1
23	22934301	KNEE_PAD_PLATE_SUPPORT		*		1
24	SM9061203SE	SCREW_M6_L=12		*		1
25	22934509	KNEE_PAD_PLATE_COVER		*		1
26	B8228125000	OIL_RESERVOIR_MAGNET				1
27	22931703	KNEE_LIFTER_PUSH_ROD				1

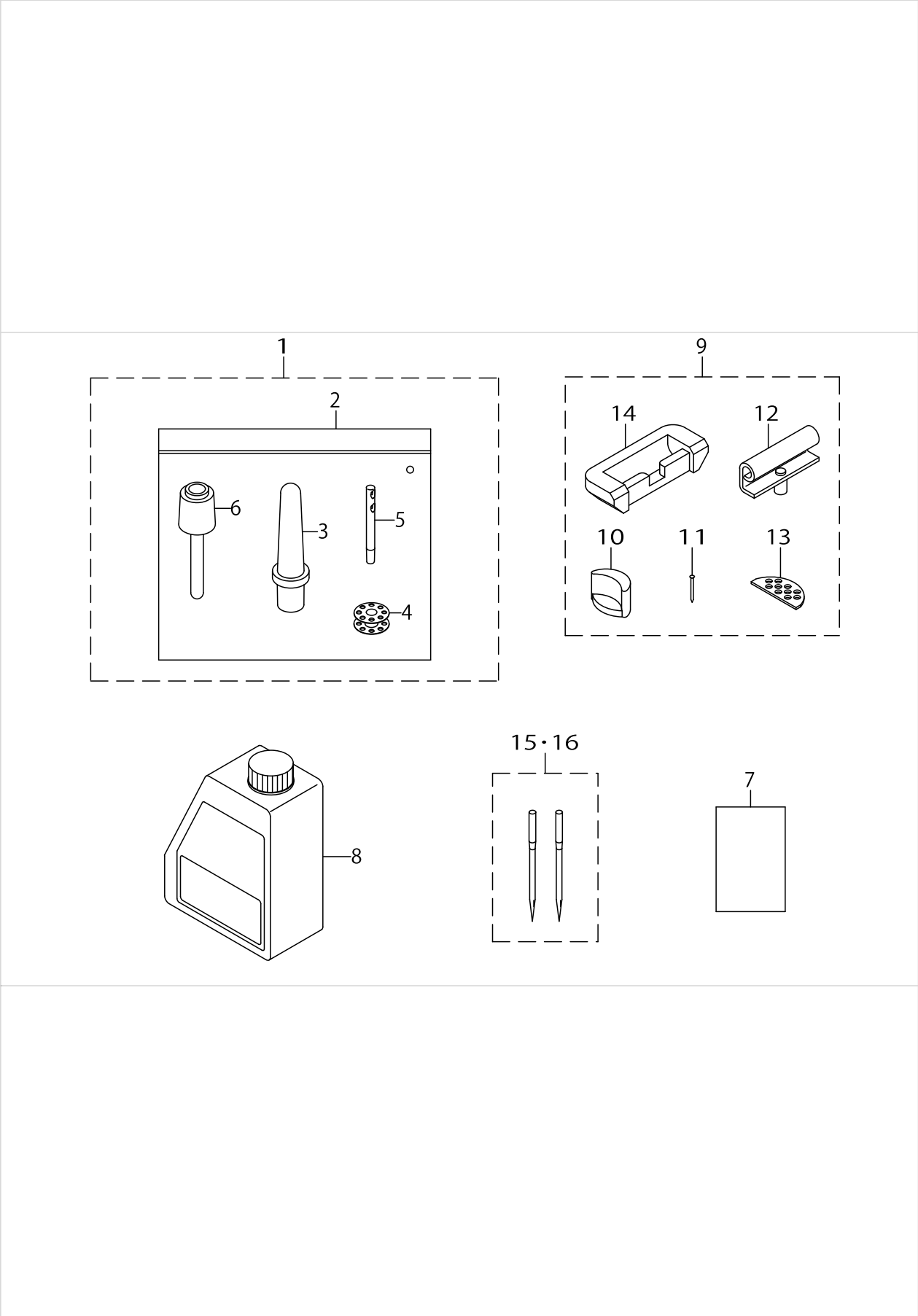
PSC UNIT



PSC UNIT

No.	Parts No.	Parts name	Remarks	Level	Cons	Qty
1	40225188	CONTROL_BOX_1P	OTHER THAN FOR AD			1
2	40225280	CONTROL_BOX_3P	FOR AD			1
3	40131478	CONNECTING_ROD_ASSY				1
4	40215705	ACCESSORIES_PARTS_ASSY	OTHER THAN FOR AD			1
5	40224061	ACCESSORIES_PARTS_3P_ASSY	FOR AD			1
6	40118323	POWER_SWITCH_ASSY	FOR AD			1
7	SK3512001SE	WOOD_SCREW_D=5.1_L=20	FOR AD			2
8	40215706	PEDAL_SENSOR_BASE_ASSY				1
9	MAO11532000	CORD_STAPLE	FOR AD			4

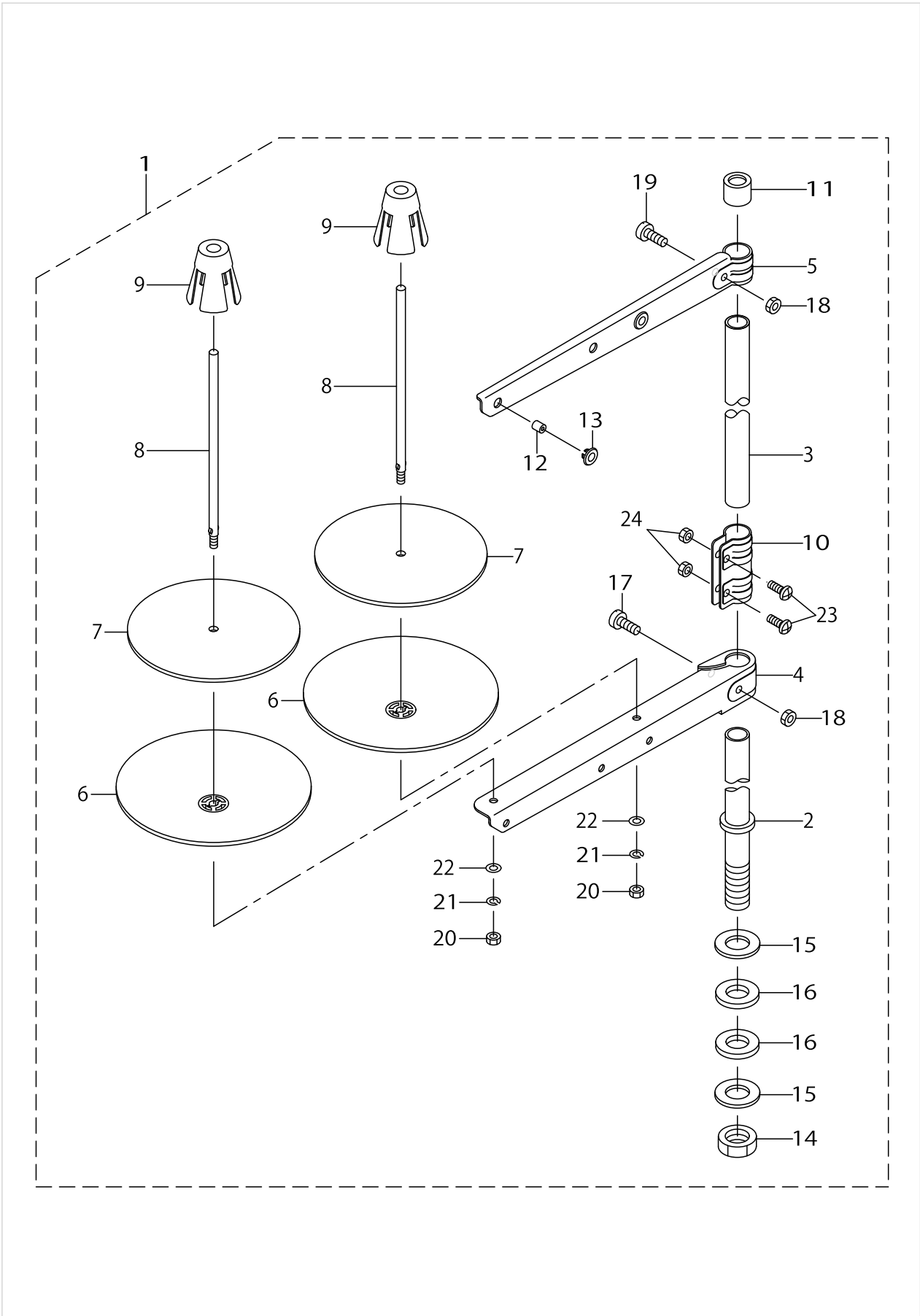
ACCESSORIE PARTS COMPONENTS



ACCESSORIE PARTS COMPONENTS

No.	Parts No.	Parts name	Remarks	Level	Cons	Qty
1	40130788	ACCESSORIE_BAG_ASSY				1
2	22932800	ACCESSORIE_BAG		*		1
3	22931604	FRAME_SUPPORT_BAR		*		1
4	22932909	BOBBIN		*	☆	1
5	22958300	NEEDLE_THREAD_GUIDE_PIN		*		1
6	22931703	KNEE_LIFTER_PUSH_ROD		*		1
7	40225224	SAFETY_INSTRUCTION_MANUAL(1K)				1
8	40102087	JUKI_MACHINE_OIL_7			☆	1
9	40137214	RUBBER_HINGE_ASM.				1
10	22958003	FRAME_BUBBER_CUSHION		*		2
11	22926208	NAIL		*		8
12	40137215	HINGE_COMPL.		*		2
13	22926505	WASHER		*		2
14	22926000	RUBBER_CUSHION		*		2
15	MDB100B1402	NEEDLE_DBX1#14-2	TYPE S		☆	1
16	MDP500B2102	NEEDLE_DPX5#21-2	TYPE H		☆	1

THREAD STAND COMPONENTS



THREAD STAND COMPONENTS

No.	Parts No.	Parts name	Remarks	Level	Cons	Qty
1	40096354	THREAD_STAND_ASM.				1
2	40085784	SPOOL_REST_ROD_(LOWER)		*		1
3	40085785	SPOOL_REST_ROD_(UPPER)		*		1
4	40085786	SPOOL_REST_ARM_(LOWER)		*		1
5	40085787	SPOOL_REST_ARM_(UPPER)		*		1
6	40085788	SPOOL_REST		*		2
7	40085789	SPOOL_REST_CUSHION		*		2
8	40085790	SPOOL_PIN		*		2
9	40085791	SPOOL_RETAINER		*		2
10	40085792	SPOOL_REST_ROD_JOINT		*		1
11	40085793	SPOOL_REST_ROD_RUBBER_CAP		*		1
12	40085794	THREAD_GUIDE		*		2
13	40085795	THREAD_GUIDE_BUSHING		*		2
14	40096325	SPOOL_REST_ROD_NUT		*		1
15	WP1612616SE	WASHER_16X30X2.6		*		2
16	40085796	SPOOL_REST_ROD_RUBBER_CUSHION		*		2
17	40096326	SPOOL_REST_ARM_LOWER_SCREW		*		1
18	NM6050001SE	NUT_M5		*		2
19	40096327	SPOOL_REST_ARM_UPPER_SCREW		*		1
20	NM6050001SE	NUT_M5		*		2
21	WS0510002KN	SPRING_WASHER_M5		*		2
22	WP0531001SC	WASHER_M5		*		2
23	SM4051405SE	SCREW_M5_L=14		*		2
24	NM6050001SE	NUT_M5		*		2

HOW TO MAKE USE OF THIS PARTS LIST

1.As to "#01" and "#02" refer to the "Note" given at the bottom of the respective pages.

2.Codes on the "Qty" column

- Each numeral indicates the number of parts required.
- "0.1" and "2.5" indicate the length (in meters) of the respective parts.

3.Parentheses mean that the corresponding part is a subpart that constructs an assembly part.

4.Dotted lines on the Figures indicate assembly parts.

5.As to the parts with marks of "☆"(Consumable parts)and "◎"(optional parts)on the respectie parts,
it is recommended to prepare spares.

1. リストページの#01、#02の印は、ページ下の"注記"の説明を参照下さい。
2. 数量欄の数字は、個数を表し、0.1、2.5等の数値は、長さ（単位メートル）を表します。
3. 数量欄の（ ）は、組部品を構成している子部品であることを意味します。
4. イラストページの-----枠は、組構成であることを意味します。
5. リストページの"☆"（消耗部品）、"◎"（オプション部品）の印が付いた部品は、
予備を準備しておくことをお奨めします。

NUMERICAL INDEX OF PARTS

PART NO	PAGE	REF NO.	PART NO	PAGE	REF NO.	PART NO	PAGE	REF NO.
11002904	8	3	22908552	16	4	22918700	8	6~9·54 ~57
11009800	18	23	22908701	16	7	22919203	8	29
11010311	18	17·81	22908800	16	14	22920102	16	29
11015906	12	37	22908909	16	11	22920201	16	23
11017068	10	5·50	22909006	16	13	22920300	16	26
11037405	18	22	22910004	8	21·47	22920409	16	24
11062809	10	10·51	22910053	8	19·46	22920607	2	47
11062858	10	4·49	22910103	8	42	22920904	2	43
11091006	2	30	22910202	18	12·74	22921001	2	31
11101300	24	7	22910251	18	11·73	22921209	2	38
11351806	22	14	22910806	18	28·87	22921308	2	33
11400801	2	17·44	22910905	18	24	22921407	2	34
11403003	20	33·84	22911002	18	40	22921506	4	37·73
11403805	4	65	22911101	18	13	22921506	6	28
13138201	2	37·73	22911507	18	2·75	22921605	2	39
13403605	26	4	22911606	18	4·76	22921803	2	36
22538805	8	30	22911804	18	7	22923015	28	14
22900757	2	4	22912000	18	9	22923056	28	12
22901003	4	67	22912109	18	8	22923205	28	17
22901201	4	52	22912257	18	19·82	22923312	28	13
22901250	4	51	22912505	18	20	22923403	28	19
22901300	4	53	22912703	20	63	22923502	28	21
22901805	2	14	22912802	20	68	22923601	28	20
22903207	8	36	22913008	20	52	22923700	28	15
22903306	8	27	22913503	18	38	22923809	28	18
22903900	8	40·43	22913602	18	39	22923908	28	22
22905004	12	46	22915003	18	15	22924153	28	6
22905103	12	45	22915201	20	48	22924302	28	7
22905202	12	44	22915300	20	60	22924401	28	3
22906101	12	2	22915359	20	59	22924609	28	28
22906200	12	8·48	22916308	12	40	22924708	28	1
22906408	12	6	22916407	12	32	22925101	28	5
22906457	12	4	22916506	12	38	22926000	34	14
22906606	8	11·52	22916555	12	36	22926208	34	11
22907307	16	36	22917009	12	14	22926505	34	13
22907406	16	10·33	22917058	12	12	22931604	34	3
22907505	16	32	22918064	8	5·50	22931703	30	27
22907554	16	30	22918072	8	4·49	22931703	34	6
22907604	16	31	22918106	8	10·51	22931901	30	3
22907703	16	45	22918304	8	12·53	22932107	30	8
22907802	16	1	22918403	8	6~9·54 ~57	22932156	30	7
22908008	16	42	22918502	8	6~9·54 ~57	22932206	30	11
22908156	16	40	22918601	8	6~9·54 ~57	22932404	30	14
22908305	16	43				22932453	30	13
22908354	16	39						

NUMERICAL INDEX OF PARTS

PART NO	PAGE	REF NO.	PART NO	PAGE	REF NO.	PART NO	PAGE	REF NO.
22932800	34	2	22970859	20	41·79	40085795	36	13
22932909	34	4	22971204	20	2·75	40085796	36	16
22934202	30	22	22971303	20	4·76	40089548	18	25
22934251	30	19	22971550	20	19·82	40090002	12	16
22934301	30	23	22971709	20	17·81	40090003	12	19
22934400	30	21	22972202	20	45·89	40090004	12	22
22934509	30	25	22972251	20	44·88	40090005	12	25
22934608	30	20	22972806	10	20·48	40090006	12	17
22934707	30	15	26260208	6	3	40090007	12	20
22939508	12	3·47	26260307	6	4	40090008	12	23
22940605	20	58	26260406	6	5	40090009	12	26
22940654	20	55	26260505	6	6	40090058	12	15
22940704	18	36	26260604	6	7	40093417	18	26
22940753	18	35	26260802	6	8	40096325	36	14
22940803	18	31	26261008	6	9	40096326	36	17
22940951	18	27·77	26261206	6	10	40096327	36	19
22941108	18	1·78	26261305	6	11	40096354	36	1
22944508	16	18	26261503	6	12	40098388	16	34
22945109	16	25	26261602	6	13	40099083	4	58
22945307	2	40	26261701	6	14	40100812	20	67
22945414	2	22	40010395	20	28·87	40101541	30	17
22945463	2	21·70	40011144	6	15	40101720	30	16
22945505	2	25·71	40012126	2	2	40101726	18	10·83
22945604	2	23	40012129	2	11	40102087	34	8
22945703	2	26	40017805	16	35	40102261	2	13
22945703	6	30	40021933	6	17	40102264	20	62
22945802	2	24	40023223	12	7·41	40105821	30	2
22947105	28	26	40031240	20	27·77	40106138	8	2
22953400	24	14	40031249	20	47·91	40108863	18	45·89
22953509	24	2	40035058	14	34·50	40109422	18	44·88
22953657	24	9	40037008	6	34	40110376	8	15
22954002	24	5	40039673	20	1·78	40110378	18	42·80
22958003	34	10	40039674	20	10·83	40110379	18	41·79
22958300	34	5	40060989	16	5	40110390	8	13
22962005	4	35·74	40085784	36	2	40110731	6	25
22962054	4	32·72	40085785	36	3	40110734	6	26
22963409	4	25·71	40085786	36	4	40110975	6	16
22963458	4	21·70	40085787	36	5	40111022	2	20
22970206	12	3·47	40085788	36	6	40111424	8	32
22970404	12	10	40085789	36	7	40111876	30	1
22970503	8	21·47	40085790	36	8	40112420	2	35·74
22970552	8	19·46	40085791	36	9	40112907	2	7
22970701	20	12·74	40085792	36	10	40113241	6	35
22970750	20	11·73	40085793	36	11	40115888	18	21
22970800	20	42·80	40085794	36	12	40118323	32	6

NUMERICAL INDEX OF PARTS

PART NO	PAGE	REF NO.	PART NO	PAGE	REF NO.	PART NO	PAGE	REF NO.
40119475	6	24	40137503	8	25	B1905541B00	10	6~9-54 ~57
40126305	4	60	40137504	20	49			
40126308	4	64	40137505	20	51	B1905541C00	10	6~9-54 ~57
40126850	2	32-72	40139216	8	45			
40127152	22	1	40141523	12	7-41	B1905541D00	10	6~9-54 ~57
40127153	22	2	40153440	12	34-50	B8228125000	30	26
40127154	22	4	40163521	6	33	CM300200001	2	12
40127155	22	6	40171515	14	8-48	CQ252000000	28	8
40127156	22	9	40184556	22	18	D1524555EBL	16	9-20
40127157	22	10	40187311	2	46	D7133555B00	6	29
40127161	22	15	40187738	4	55	EA9500B0100	4	63
40127163	22	19	40187740	22	13	G1164870000	26	3
40127164	22	21	40189600	6	2	HX001890000	20	86
40127165	22	22	40211519	12	42	MAO11532000	32	9
40127166	22	23	40215705	32	4-5	MDB100B1400	12	11-49
40127167	22	24	40215706	32	8	MDB100B1402	34	15-16
40127168	22	26	40218885	6	1	MDP500B2100	14	11-49
40127177	12	35	40222686	8	37	MDP500B2102	34	15-16
40127178	28	29	40222701	8	44	NM6050001SE	36	24
40127179	28	9	40224061	32	4-5	NM6060001SE	30	18
40127180	22	28	40225175	2	1	NS6090310SP	4	57
40127181	22	29	40225177	2	10	NS6110350SP	22	17
40127182	22	30	40225185	2	28	NS6120630SP	6	27
40127183	22	31	40225188	32	1-2	NS6620310SP	16	21
40127188	22	37	40225224	34	7	NS6680410SP	20	72
40127189	16	46	40225280	32	1-2	RC0150001KP	18	54
40127190	22	38	40225291	8	35	RC0150001KP	20	54
40127191	12	28	40225300	20	85	RC0560711KP	6	18
40127192	12	43	40225399	26	1	RC1850001KP	8	22
40127193	28	10	40227630	8	34	RE0400000K0	6	19
40130594	24	4	40230319	24	1	RE0400000K0	24	15
40130788	34	1	40230521	20	70	RE0400000KP	24	10
40131478	32	3	40230589	20	65	RE0500000K0	16	41
40132066	24	11	B1109552000	2	17-44	RE0500000K0	18	18
40132067	16	44	B1116210D00	30	4	RE0500000KP	24	6
40132068	16	28	B1213552000A	8	40-43	RE0600000K0	22	33
40132099	4	68	B1215552000	8	26	RE0900000K0	24	8
40132143	22	34	B1408552000	10	11-52	RE1000000K0	30	12
40133779	20	71	B1505552000A	16	10-33	RE1200000K0	24	12
40133950	18	33-84	B1521555000	16	2	RO029180100	8	41
40136013	12	30	B15240120BA	16	9-20	RO037180100	16	3
40136014	12	29	B1706555000	18	37	RO044240100	8	18
40137214	34	9	B1903552000	10	12-53	RO078190100	20	69
40137215	34	12	B1905541A00	10	6~9-54 ~57	RO092270200	18	16
40137502	8	23				RO098240100	30	6

NUMERICAL INDEX OF PARTS

PART NO	PAGE	REF NO.	PART NO	PAGE	REF NO.	PART NO	PAGE	REF NO.
RO195240100	28	2	SS6090670TP	12	5	WP0450826SC	22	11
SD0600291TP	22	16	SS6090670TP	18	3	WP0480856SP	20	57
SD0720331SP	16	12	SS6090910SP	16	38	WP0531001SC	36	22
SD0850751SP	22	36	SS6110420TP	12	31	WP0820816SD	22	32
SD1000801SH	18	47-91	SS6110610TP	4	48	WP1602616SZ	24	13
SE4301041SR	28	16	SS6111010TP	28	25	WP1612616SE	36	15
SK3512001SE	32	7	SS6111210SP	12	33	WS0451040KP	28	11
SL4030851SF	28	23	SS6121210SP	20	46-90	WS0510002KN	36	21
SL6041242TN	8	39	SS6121610SP	18	43	WS0651310KP	28	27
SL6051692TN	8	38	SS6121860SP	18	5	WT0530002KS	4	56
SL6052592TN	2	18	SS6151220SP	18	29			
SL6053092TN	4	61	SS6661110SP	8	20-48			
SL6054592TN	4	62	SS6700710SH	30	5			
SM0050801SC	6	32	SS7080510TP	12	9			
SM4051405SE	36	23	SS7090610SP	22	8			
SM5040655SN	6	20	SS7091110TP	16	6			
SM8040802TP	6	21	SS7110720SP	4	59			
SM8050502TP	6	22	SS7110740TP	20	53			
SM80608A2TP	8	33	SS7111120SP	20	61			
SM8061010TP	20	64	SS7120770SH	18	6			
SM8063012TR	30	10	SS7121410TP	20	56			
SM9061203SE	30	24	SS7121610SP	18	46-90			
SS1090520TP	22	5	SS7681650TP	8	14			
SS1110640TP	26	2	SS8090670SP	2	41			
SS2110920TP	2	45	SS8110410TP	12	13			
SS4080620TP	18	34	SS8110422TP	22	25			
SS4090615SP	8	28	SS8150710TP	2	42			
SS4110515SP	16	16	SS8151150TP	8	1			
SS4110515SP	20	66	SS8660610TP	8	31			
SS4111415SP	22	12	SS8660610TP	20	50			
SS4120615SP	2	29	SS8660612TP	22	27			
SS4120615SP	16	27	SS8660810TP	12	27			
SS4120615SP	28	4	SS8660810TP	16	37			
SS4120915SP	12	39	SS8661012TP	22	3			
SS4120925SP	2	50	SS8681650TP	8	16			
SS4120925SP	4	50	TA0850604R0	2	5			
SS4121415SP	22	20	TA0850604R0	12	1			
SS4150915SP	16	17	TA1250406R0	4	49			
SS4150915SP	28	24	TA1250705R0	2	6			
SS4151215SP	4	69	TA2000502R0	2	16			
SS4151215SP	22	35	TA2100904R0	2	9			
SS4151215SP	24	3	TA2101002R0	2	19			
SS6060210SP	4	54	WP0371016SD	4	66			
SS6080320SP	2	3	WP0371016SD	22	7			
SS6090620TP	18	30	WP0450826SC	6	23			