



6.5hp Petrol Engine

PARTS BOOKLET

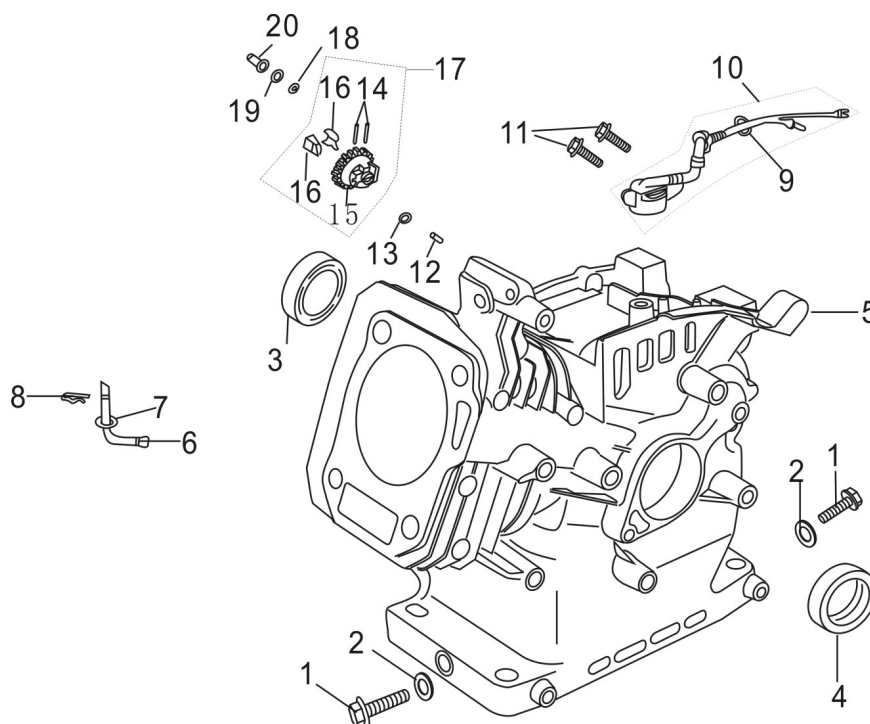


MODEL: LF65/LF65ES

Index

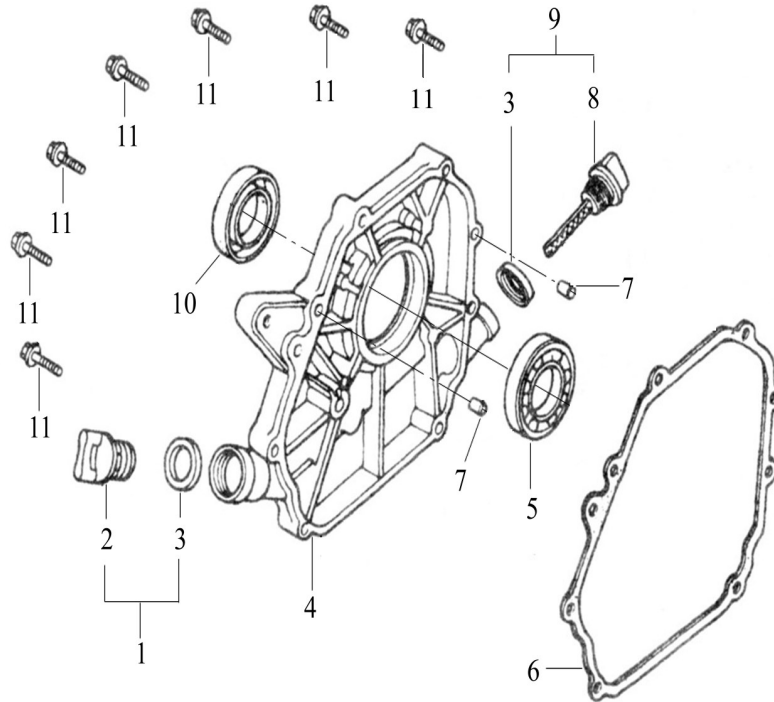
Crankcase Assembly	3
Crankcase Cover Assembly	4
Cylinder Head & Cylinder Head Cover Assembly	5
Crankshaft, Piston & Connecting	6
Combination of Camshaft & Valve Rocker	7
Carburettor Assembly	8 & 9
Fuel Tank Assembly	10
Air Cleaner Assembly	11
Muffler	12
Recoil Starter Assembly	13
Regulating Control System	14
Fly Wheel	15
Ignition Coil	16
Starting Motor Control Box Assembly	17
Starting Motor Assembly	18 & 19

Crankcase Assembly



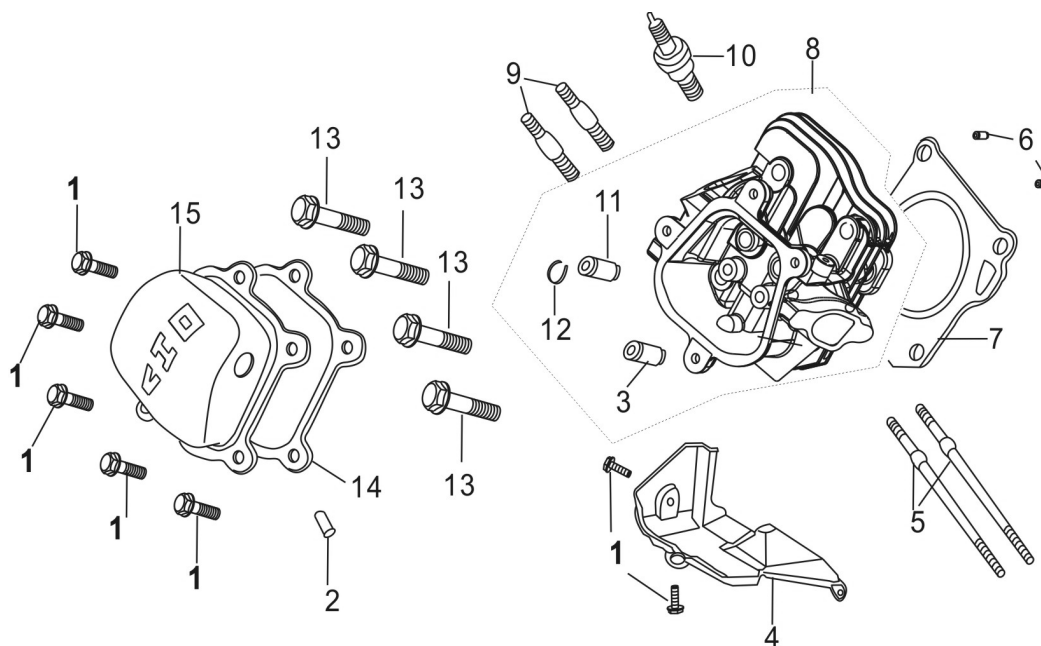
No.	Part No.	Description
1	11212/168F	Drain plug
2	11213/168F	Washer
3	GB/T276	Bearing 6205
4	13180/168F	Oil seal, crankshaft
5	11100/168F-2E	Crankcase
6	26311/168F	Regulating sway bar
7	26329/168F	Washer
8	26321/168F	Split pin
9	GB/T6177	Nut M10
10	37810/168F	Oil sensor
11	GB/T16674.2	Bolt M6×14
12	25151/168F	Regulating shaft
13	25165/168F	Washer, driven gear
14	25163/168F	Pin
15	25121/168F	Driven gear, regulator
16	25141/168F	Flying block
17	25120/168F	Driven gear assy, regulator
18	25164/168F	Snap ring
19	25132/168F	Washer
20	25131/168F	Sliding sleeve

Crankcase Cover Assembly



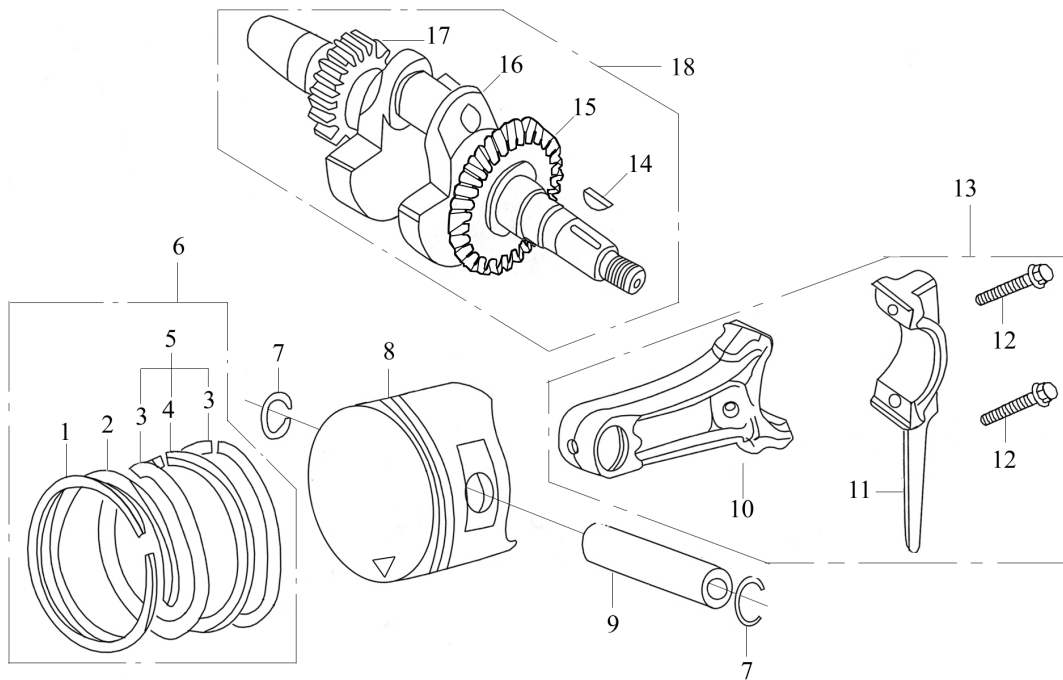
No.	Part No.	Description
1	15650/168F	Oil plug with Seal
2	15651/168F	Oil plug
3	15612/168F	Seal
4	11311/168F-2E	Crankcase cover
5	GB/T276	Bearing 6205
6	11119/168F-2E	Gasket, crankcase
7	11118/168F	Set pin
8	15611/168F	Dipstick
9	15610/168F	Dipstick with seal
10	13180/168F	Oil seal, crankshaft
11	GB/T16674.2	Bolt M8 × 32

Cylinder Head & Cylinder Head Cover Assembly



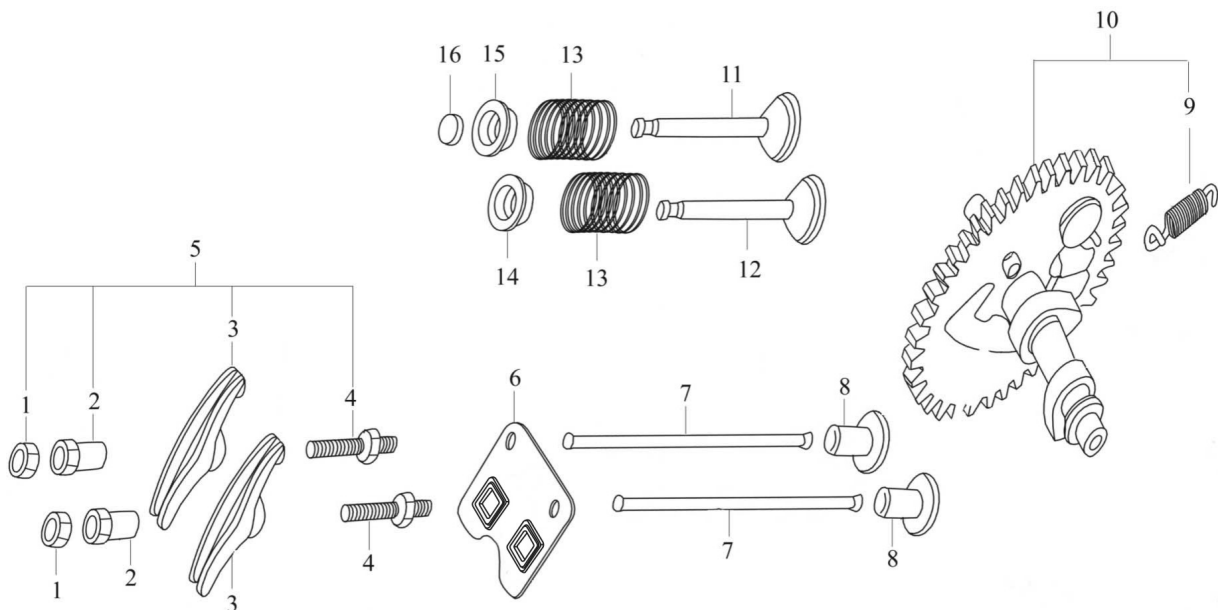
No.	Part No.	Description
1	GB/T16674.2	Bolt M6×12
2	20152/168F	Air duck
3	12214/168F-2A	Intake valve guide
4	19721/168F-2A	Lead wind cover
5	12252/168F	Stud M6×109
6	12218/168F	Set pinφ10×16
7	12220/168F-2A	Gasket, cylinder head
8	12210/168F-2A	Cylinder head Assy
9	12253/168F	Stud M8×34
10	34200/168F	Spark plug F6TC
11	12215/168F	Exhaust valve guide
12	12219/168F	Circip
13	12256/168F	Bolt
14	12312/168F-2A	Gasket, cylinder head cover
15	12310/168F-2A	Cylinder head cover Assy

Crankshaft, Piston & Connecting



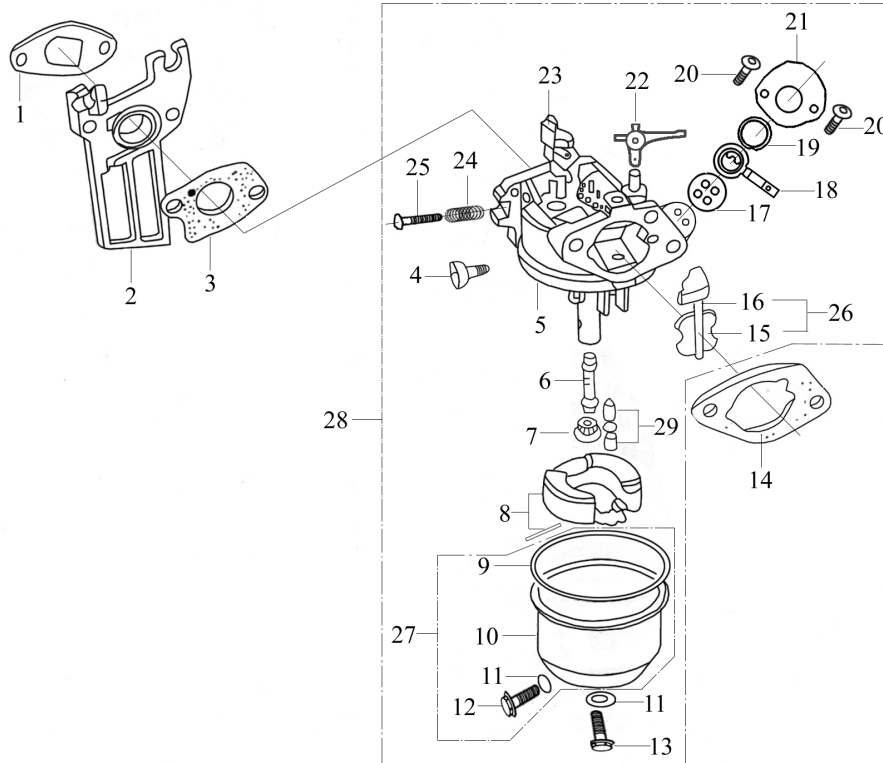
No.	Part No.	Description
1	13311/168F	Piston ring (I)
2	13312/168F	Piston ring (II)
3	13322/168F	Side rail
4	13321/168F	Expander
5	13320/168F	Scraper ring set
6	13300/168F	Piston ring assy
7	13222/168F	Piston pin circlip
8	13211/168F-2	Piston
9	13221/168F	Piston pin
10	13131/168F	Shank
11	13132/168F	Connecting rod cover
12	13133/168F	Bolt
13	13130/168F	Connecting rod assy
14	13118/168F	Woodruff key
15	25111/168F	Drive gear
16	13111/168F-2	Crankshaft
17	14211/168F	Timing driving gear
18	13110/168F-2	Crankshaft assy

Combination of Camshaft & Valve Rocker



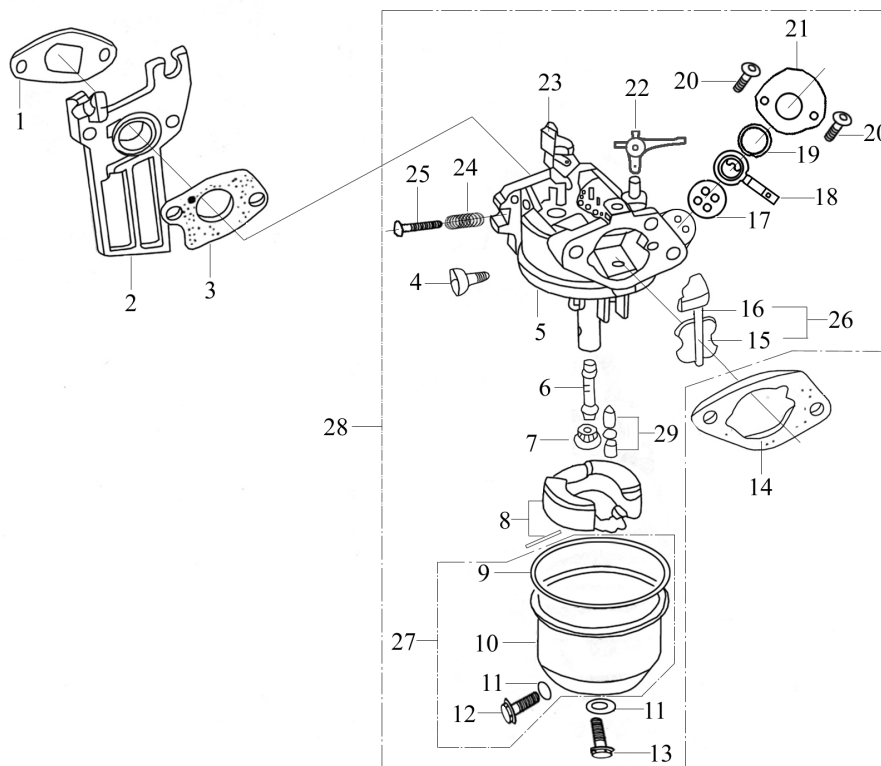
No.	Part No.	Description
1	14416/168F	Lock nut
2	14413/168F	Sleeve
3	14411/168F	Valve rocker
4	14415/168F	Adjusting bolt for valve gap
5	14410/168F	Valve rocker assy
6	14260/168F	Pusher guide
7	14250/168F	Pusher
8	14455/168F-2	Tappet
9	14146/168F	Extension spring
10	14100/168F-2	Camshaft Assy
11	14721/168F	Exhaust valve
12	14711/168F	Intake valve
13	14755/168F	Valve spring
14	14751/168F	Spring seat, intake valve
15	14757/168F	Spring seat, exhaust valve
16	14758/168F	Cap

Carburettor Assembly



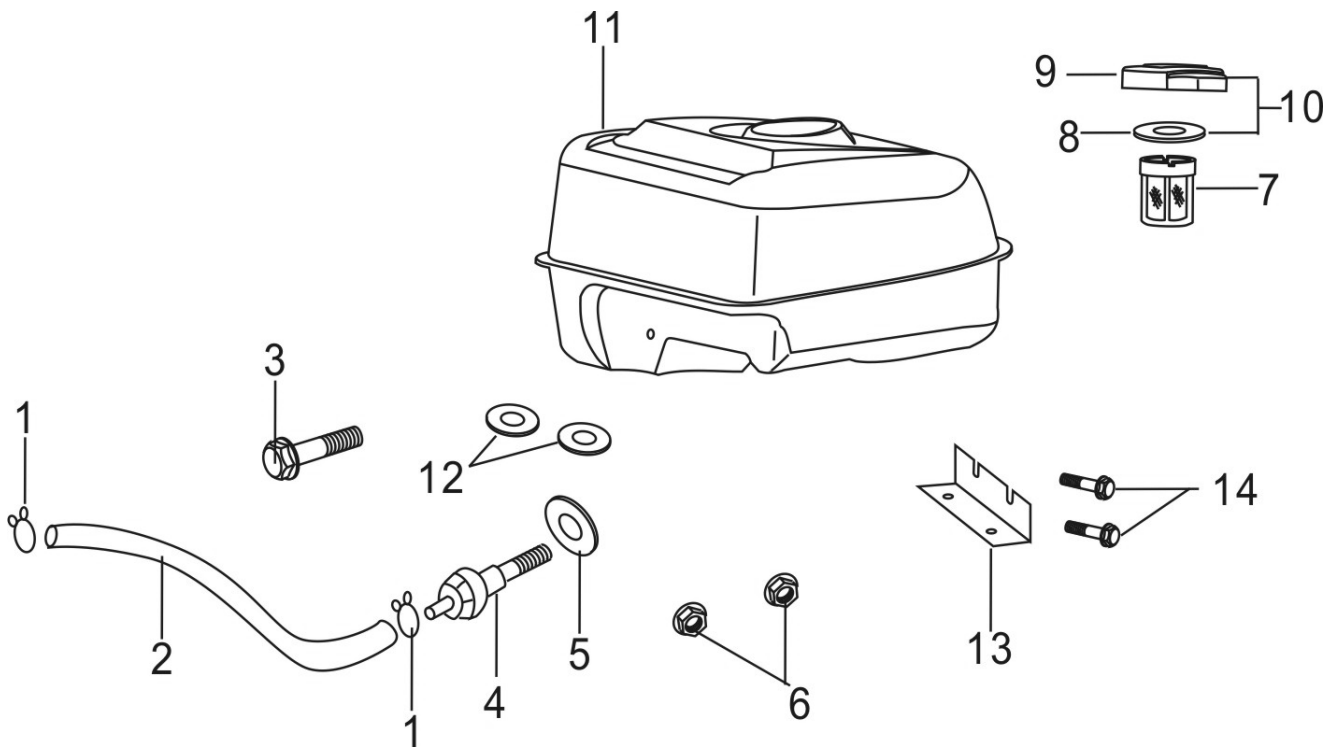
No.	Part No.	Description
1	12254/168F	Inlet gasket
2	16141/168F	Connecting block
3	16142/168F	Carburetor gasket
4	16421/168F	Idle adjustment screw
5	16250/168F	Mixture chamber body
6	16251/168F-2	Main nozzle
7	16254/168F	Main jet
8	16230/168F	Float
9	16219/168F	Float chamber gasket
10	16211/168F	Float chamber
11	16216/168F	Washer
12	16215/168F	Float chamber drain Screw
13	16213/168F	Screw
14	17330/168F	Air cleaner gasket

Carburettor Assembly



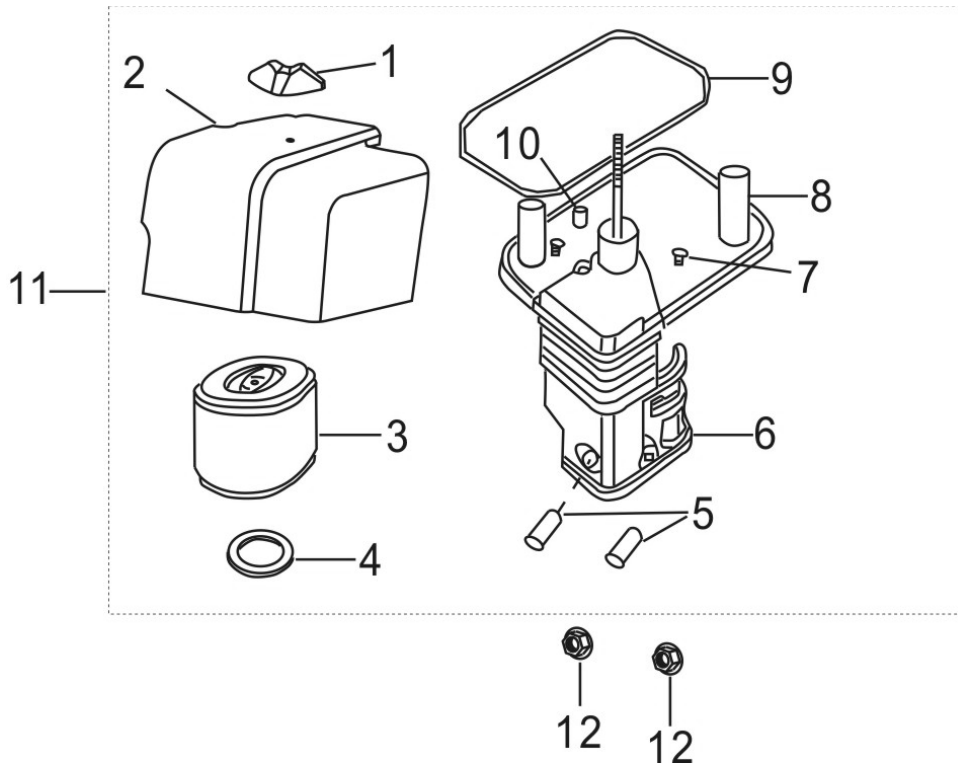
No.	Part No.	Description
15	16331/168F	Choke
16	16332/168F	Choke stem
17	16312/168F	Airproof washer
18	16311/168F	Throttle lever
19	16313/168F	Washer
20	GB/T16674.2	Screw M4
21	16314/168F	Cover
22	16148/168F	Choke switch
23	16280/168F	Throttle unit
24	16422/168F	Spring, mixture adjustment screw
25	16425/168F	Mixture adjustment screw
26	16330/168F	Choke unit
27	16210/168F	Float chamber
28	16100/168F-2	Carburetor Assy
29	16240/168F	Float needle

Fuel Tank Assembly



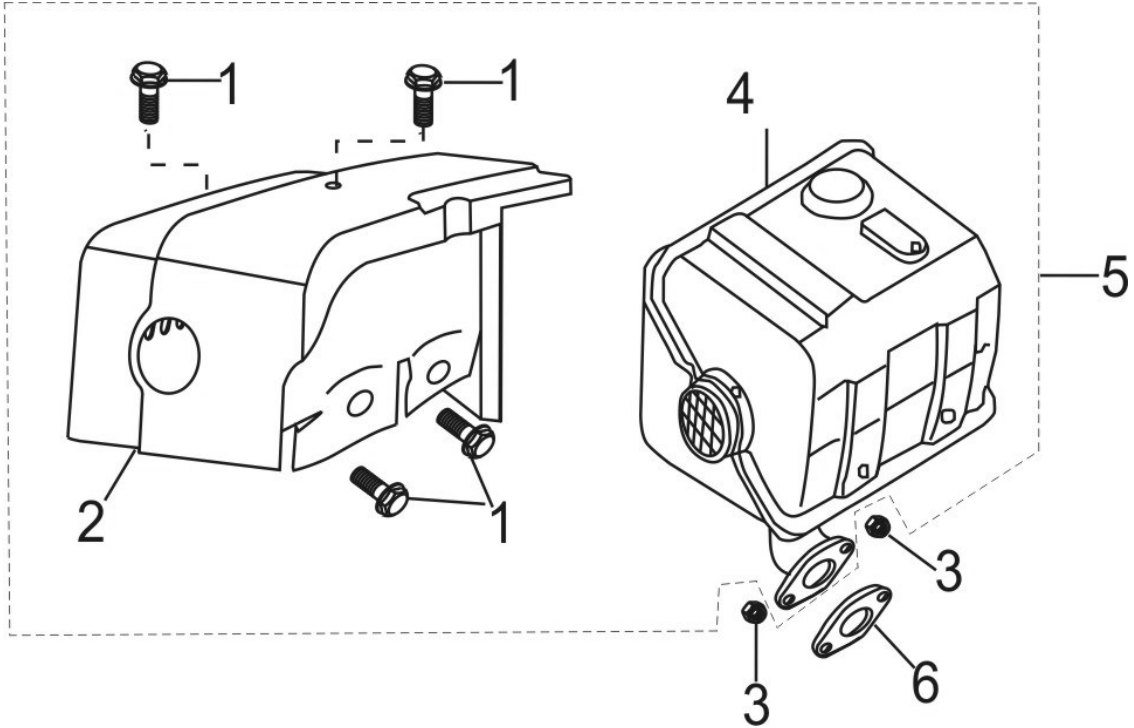
No.	Part No.	Description
1	16937/168F	Pipe clamp
2	16931/168F	Outlet pipe
3	GB/T16674.2	Bolt M6×28
4	16950/168F	Connector
5	16961/168F	Packing ring
6	GB/T6177	Nut M6
7	16916/168F	Filter cup
8	16521/168F	Packing ring
9	16510/168F-B	Fuel filler cap
10	16500/168F-B	Fuel filler cap with packing ring
11	16610/168F-B	Fuel tank
12	41350/40ZB60-4.8Q	Frame shock pad
13	16815/168F-2A	Plug-in board
14	GB/T5789	Bolt M6×12

Air Cleaner Assembly



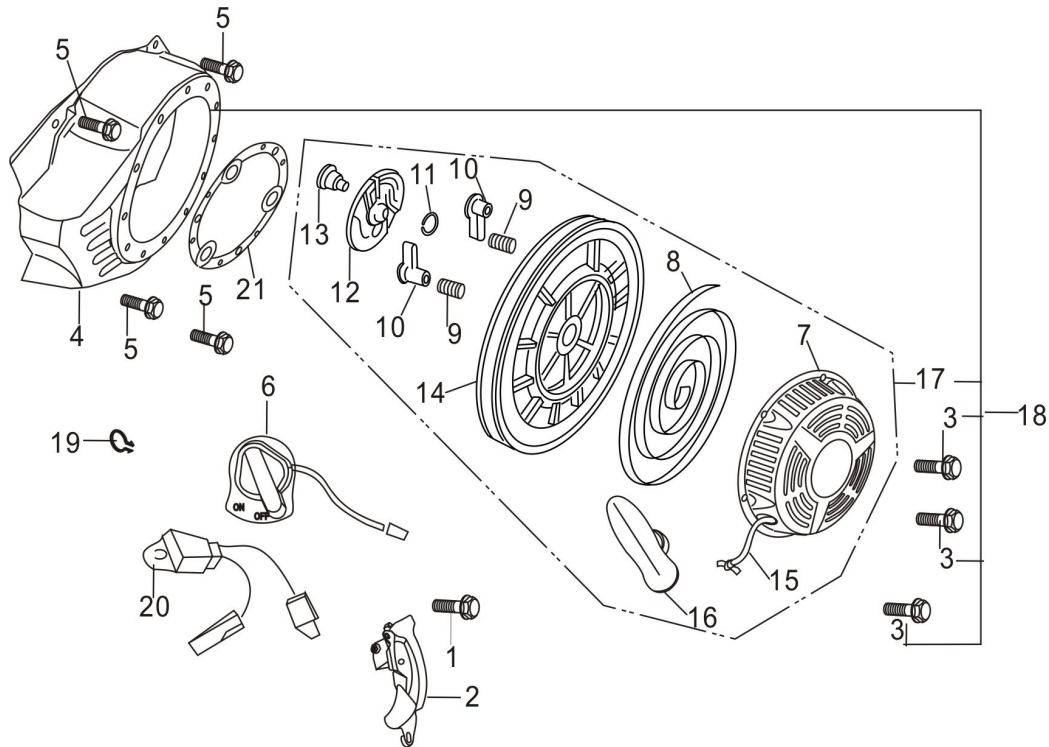
No.	Part No.	Description
1	17117/168F-B	Air cleaner cover nut
2	17111/168F-B	Air cleaner cover
3	17130/168F	Filter element
4	17125/168F	Washer
5	17126/168F	Sleeve A
6	17131/168F	Air cleaner housing
7	GB/T3115-82	Screw M5×12
8	17141/168F	Air cleaner base
9	17145/168F	Gasket
10	17146/168F	Sleeve B
11	17100/168F-B	Air cleaner assy
12	GB/T6177	Nut M6

Muffler



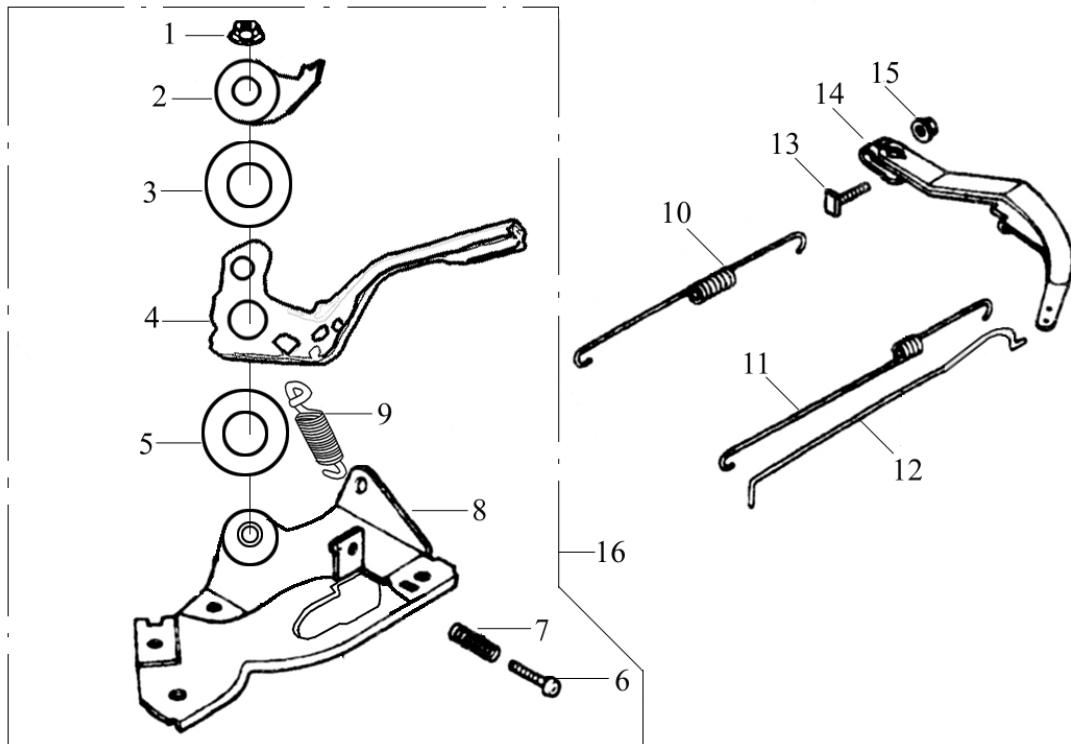
No.	Part No.	Description
1	GB/T16674.2	Screw M5×8
2	18600/168F-B	Muffler hood
3	GB/T6170	Nut M8
4	18300/168F	Muffler
5	18000/168F-B	Exhaust muffler
6	12255/168F	Exhaust gasket

Recoil Starter Assembly



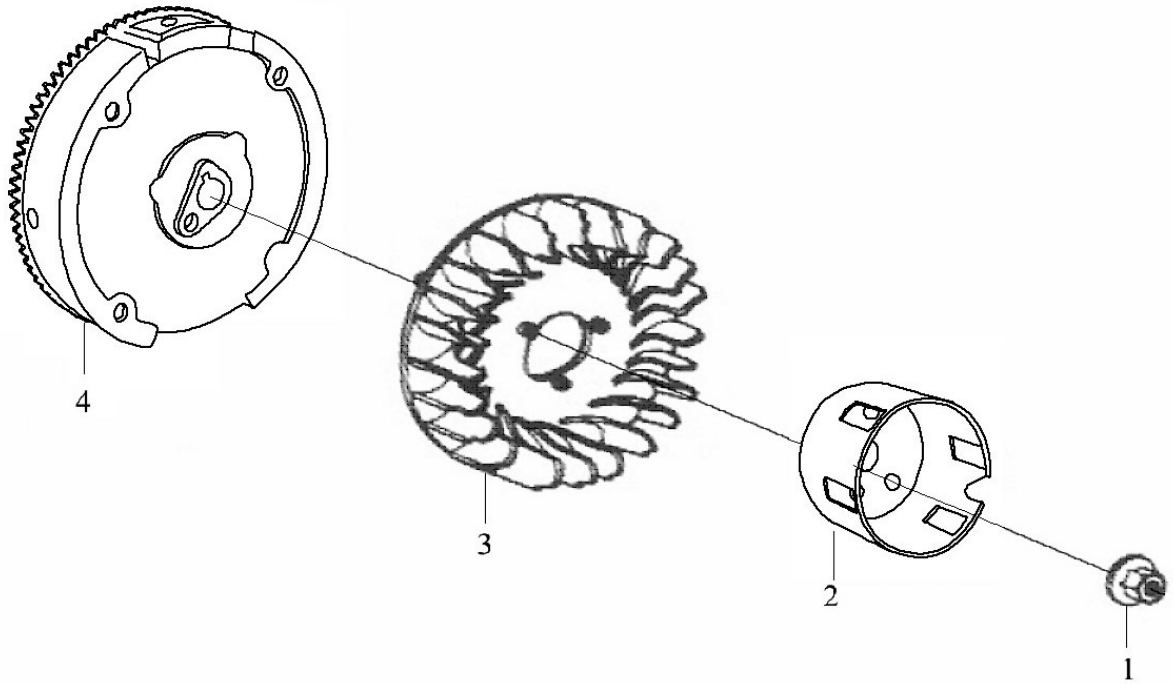
No.	Part No.	Description
1	GB/T16674.2	Bolt M6×22
2	19810/168F-2A	Crankcase side plate assy
3	GB/T16674.2	Bolt M6×8
4	19710/168FD-2E	Fan hood assy
5	GB/T16674.2	Bolt M6×12
6	35410/168F-B	Engine switch
7	27380/168F	Casing
8	27319/168F	Spiral spring
9	27312/168F	Ratchet spring
10	27331/168F	Ratchet
11	27311/168F	Friction spring
12	27341/168F	Spring lid
13	27315/168F	Set screw
14	27351/168F	Starter rolls
15	27313/168F	Rope
16	27361/168F-B	Pulling handle
17	27300/168F	Recoil starter
18	27100	Recoil starter assy
19	32211/168F	Plastic clip
20	37850/168F-A	Diode
21	23260/168F	Recoil spacer combination

Regulating Control System



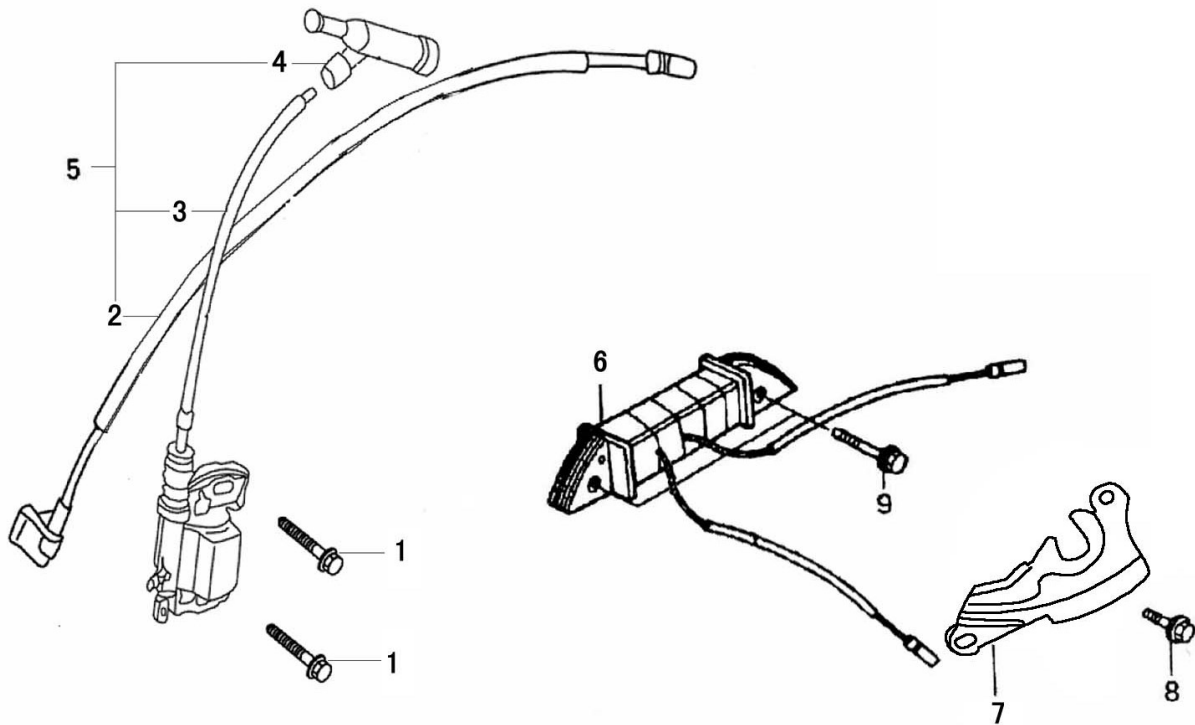
No.	Part No.	Description
1	GB/T6173	Nut M6
2	26414/168F	Setting panel
3	26418/168F	Spring patch
4	26430/168F	Handgrip assy
5	26419/168F	Washer
6	GB/T818-85-H	Bolt M5×25
7	26415/168F	Regulating spring
8	26420/168F	Support panel assy
9	26416/168F	Spring
10	26363/168F	Back spring
11	26364/168F	Fine regulating spring
12	26341/168F	Pulling rod
13	26362/168F	Lock bolt
14	26331/168F	Regulating arm
15	GB/T6177	Nut M6
16	26410/168F	Regulating frame assy

Fly Wheel



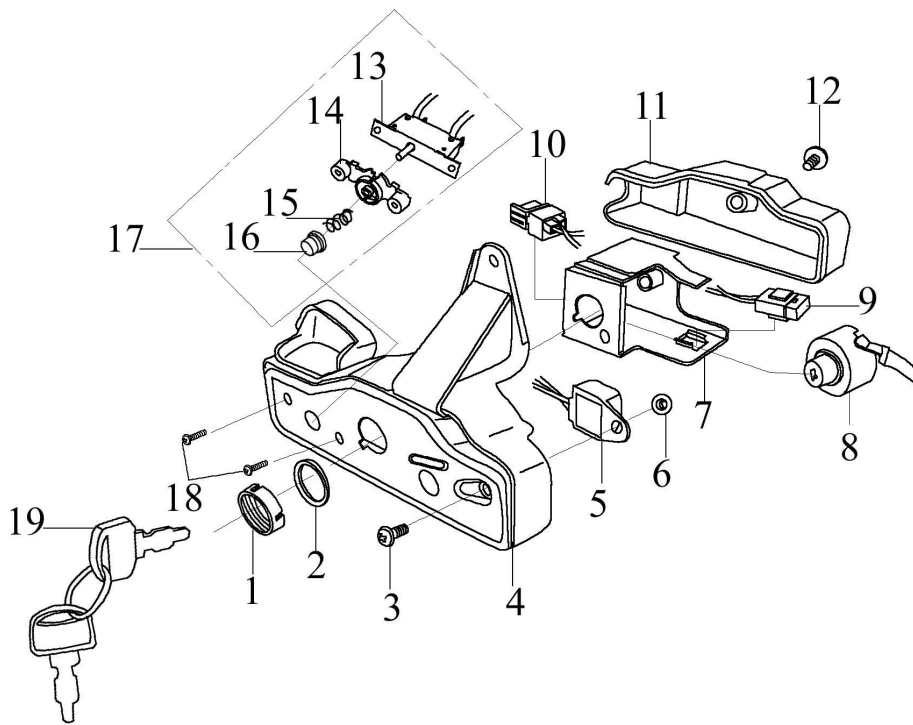
No.	Part No.	Description
1	27515/168F	Nut M14×1.5
2	27370/168F-2	Starting flange
3	19722/168F	Flywheel fan
4	27500/168FD	Flywheel

Ignition Coil



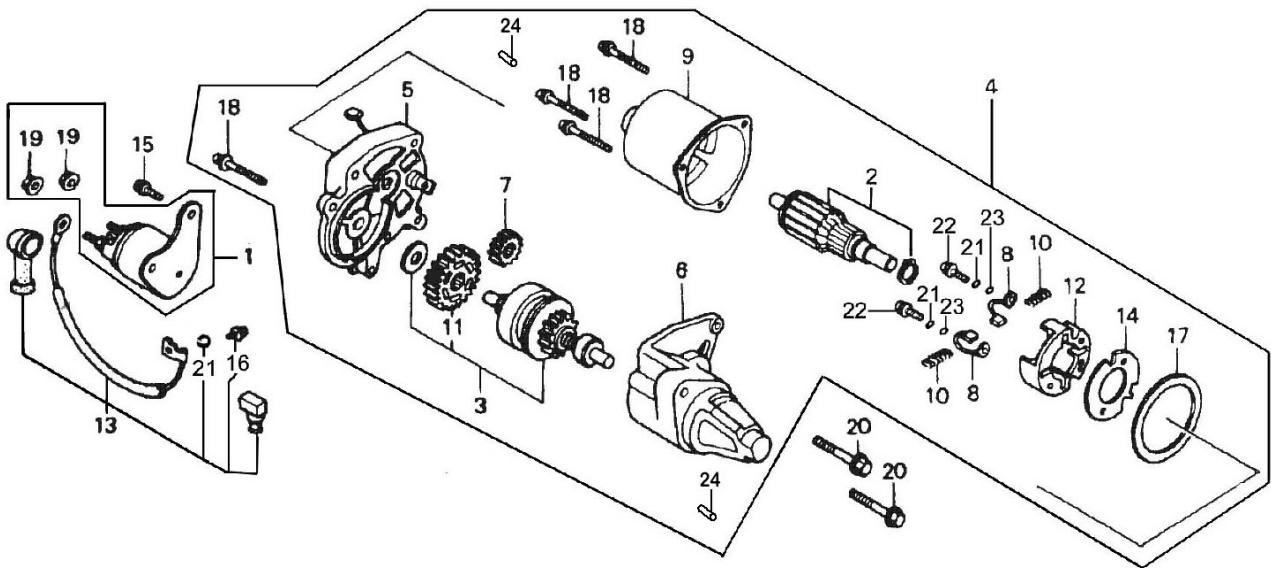
No.	Part No.	Description
1	GB5787-86	Screw M6×25
2	34410/168F	Engine stop cable
3	34510/168F	Ignition coil
4	34310/168F	Spark plug cap
5	34500/168F	Ignition coil assy
6	31250/168FD	Charge coil
7	32213/168FD	Clamper, cord
8	GB5787-86	Bolt M6×35
9	GB5787-86	Bolt M6×12

Starting Motor Control Box Assembly



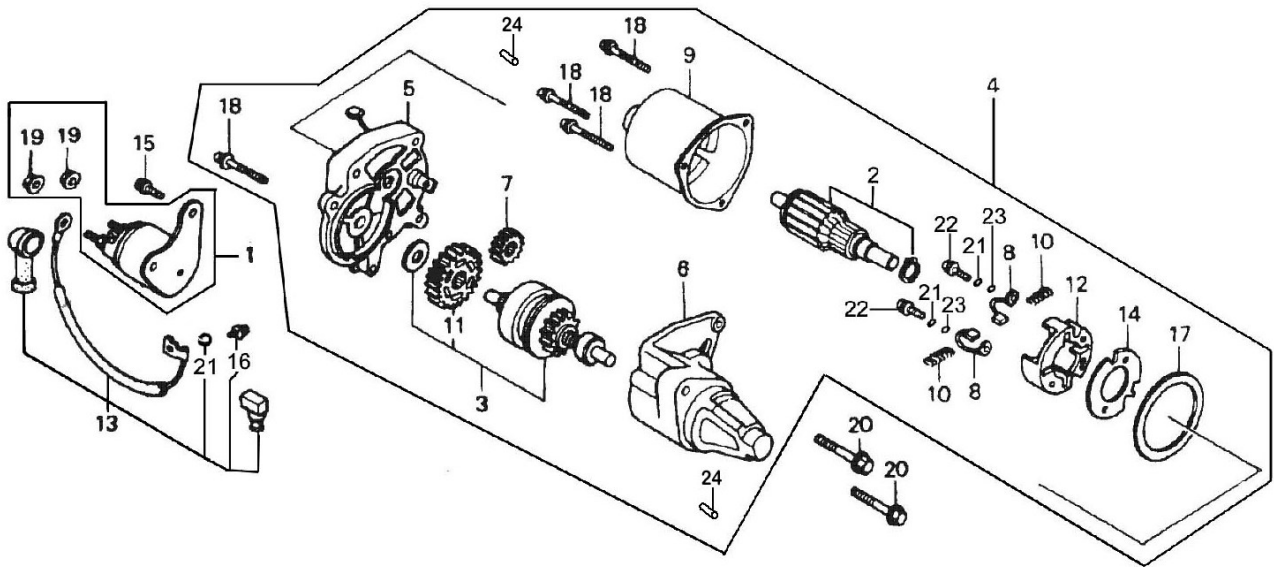
No.	Part No.	Description
1	35412/168FD	Clamp ring
2	35413/168FD	Gasket
3	GB818-86	Bolt M4×10
4	35322/168FD-2E	Control front cover
5	37850/168FD	Diode
6	GB6187-86	Nut M4
7	35331/168FD	Fixed mount
8	35420/168FD	Key switch
9	35240/168FD	Safety
10	31120/168FD	Diode assy
11	35341/168FD	Control rear cover
12	35345/168FD	Attachment bolt
13	35414/168FD	Protector
14	35415/168FD	Fixed mount
15	35416/168FD	Spring
16	35417/168FD	Cover
17	35420/168FD	Protector assy
18	GB818-85	Bolt M3×12
19	35411/168FD	Key

Starting Motor Assembly



No.	Part No.	Description
1	38200/168FD	Relay, start-up
2	28610/168FD	Rotor comp.
3	28100/168FD	Starting clutch
4	28000/168FD	Starting motor Assy
5	28650/168FD	Base, starting
6	28110/168FD	Housing, starting clutch
7	28311/168FD	Driven gear
8	28630/168FD	Brush comp.
9	28620/168FD	Stator Assy
10	28631/168FD	Spring, brush
11	28321/168FD	Reducing gear
12	28641/168FD	Stay, brush
13	32160/168FD	Cable, starting motor
14	28632/168FD	Insulator
15	31996/168FD	Bolt M5×14
16	GB818-85	Screw M4×6

Starting Motor Assembly



No.	Part No.	Description
17	28651/168FD	Packing ring
18	GB818-85	Screw M5×32
19	GB6170-86	Nut M6
20	GB5787-86	Bolt M6×35
21	GB93-87	Spring washer 4mm
22	GB818-85	Screw M4×14
23	GB97.1-85	Washer 4mm
24	11118/168FD	Set pin 8×14



lifanpower.com.au