



Petrol Engine 15hp

**PARTS
BOOKLET**

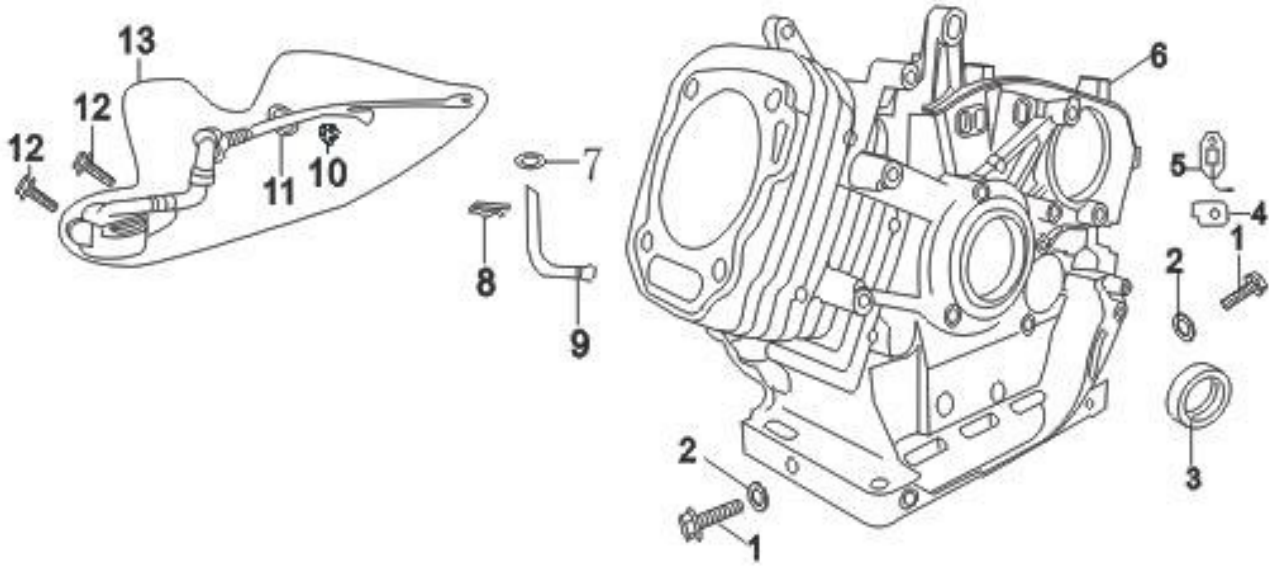


MODEL: LF15ES

Index

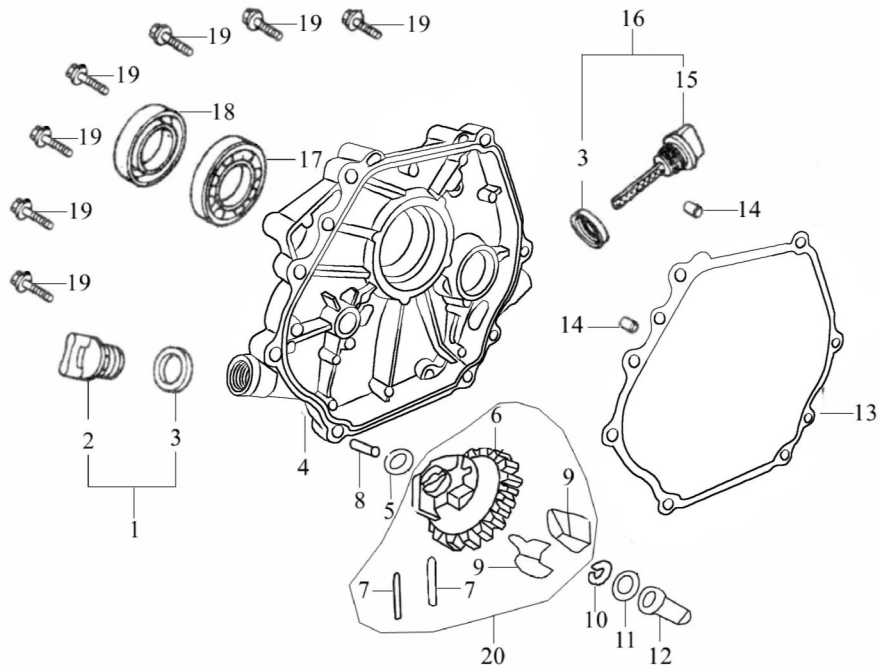
Crankcase Assembly	3
Crankcase Cover Assembly	4
Cylinder Head & Cylinder Head Cover Assembly	5
Crankshaft, Piston, Connecting & Balancing Shaft	6
Combination of Camshaft & Valve Rocker	7
Carburettor Assembly	8 & 9
Fuel Tank Assembly	10
Air Cleaner Assembly	11
Muffler	12
Recoil Starter Assembly	13
Regulating Control System	14
Fly Wheel	15
Ignition Coil	16
Starting Motor Control Box Assembly	17
Starting Motor Assembly	18 & 19

Crankcase Assembly



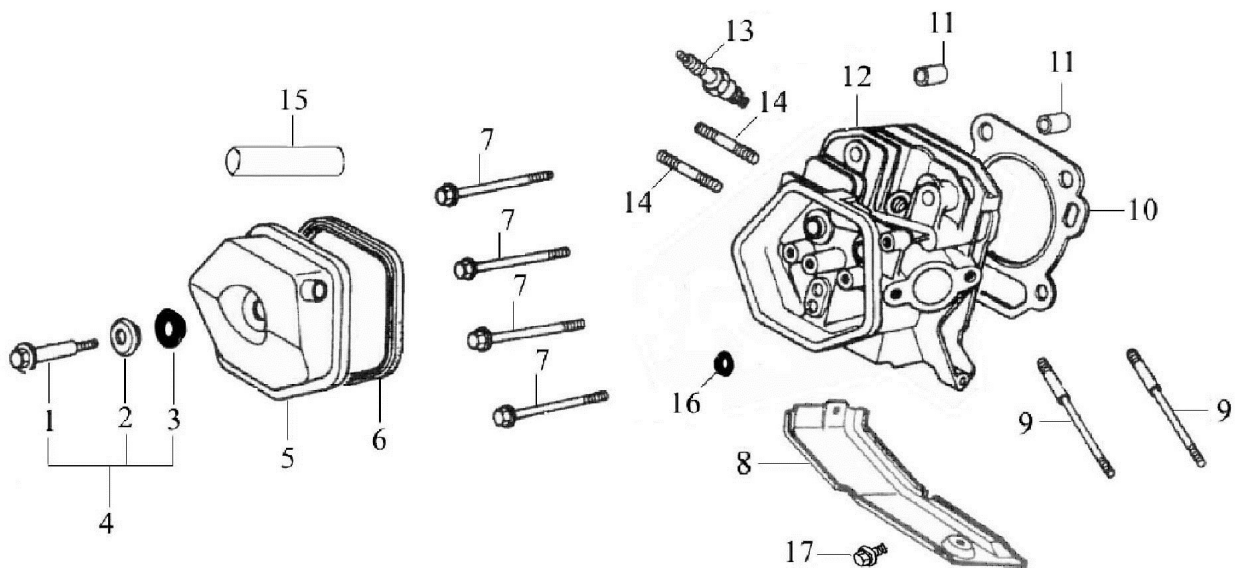
No.	Part No.	Description
1	11116/173F	Washer
2	11115/173F	Drain plug
3	11120/182F	Oil seal, crankshaft
4	11117/173F	Seal
5	27500/168F-2A	Diode
6	11100/190FD-A	Crankcase
7	26113/173F	Washer
8	26112/173F	Split pin
9	26111/182F	Regulating sway bar
10	GB/62-1988	Nut M10
11	11119/168F	O-ring
12	GB/T16674	Bolt M6 × 14-F
13	27400/173F-E	Oil sensor

Crankcase Cover Assembly



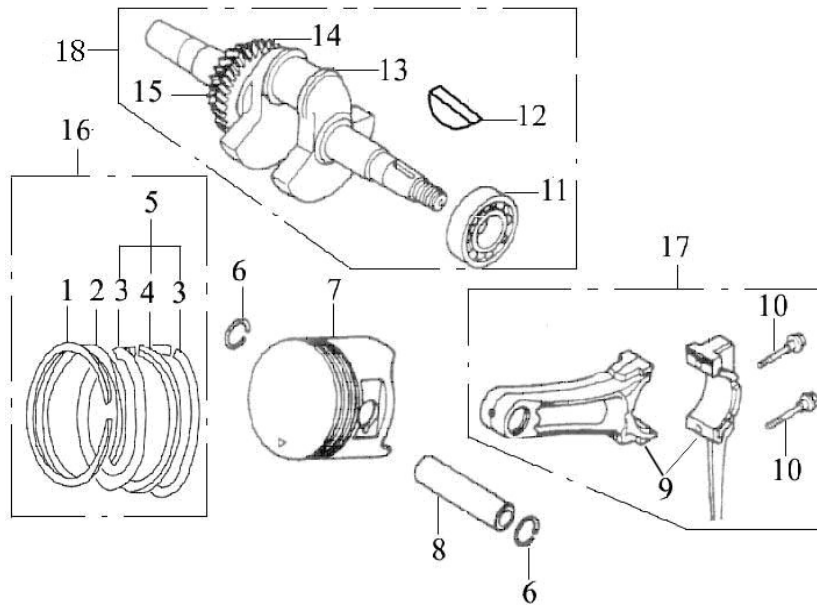
No.	Part No.	Description
1	15610/173F-E	Oil plug with Seal
2	15611/173F-E	Oil plug
3	15512/173F	Seal
4	11211/182F	Crankcase cover
5	25118/168F	Washer, driven gear
6	25111/182F	Driven gear, regulator
7	25116/182F	Pin
8	25115/182F	Regulating shaft
9	25114/182F	Flying block
10	25117/1 82F	Snap ring
11	25113/182F	Washer
12	25112/182F	Sliding sleeve
13	11114/182F	Gasket, crankcase
14	11113/173F	Set pin Φ 8 \times 12
15	15511/173F-E	Dipstick
16	15510/173F-E	Dipstick with seal
17	GB276-89	Bearing 6206
18	13180/182F	Oil seal, crankshaft
19	GB/T16674	Bolt M8 \times 40
20	25100/182F	Driven gear, regulator assy

Cylinder Head & Cylinder Head Cover Assembly



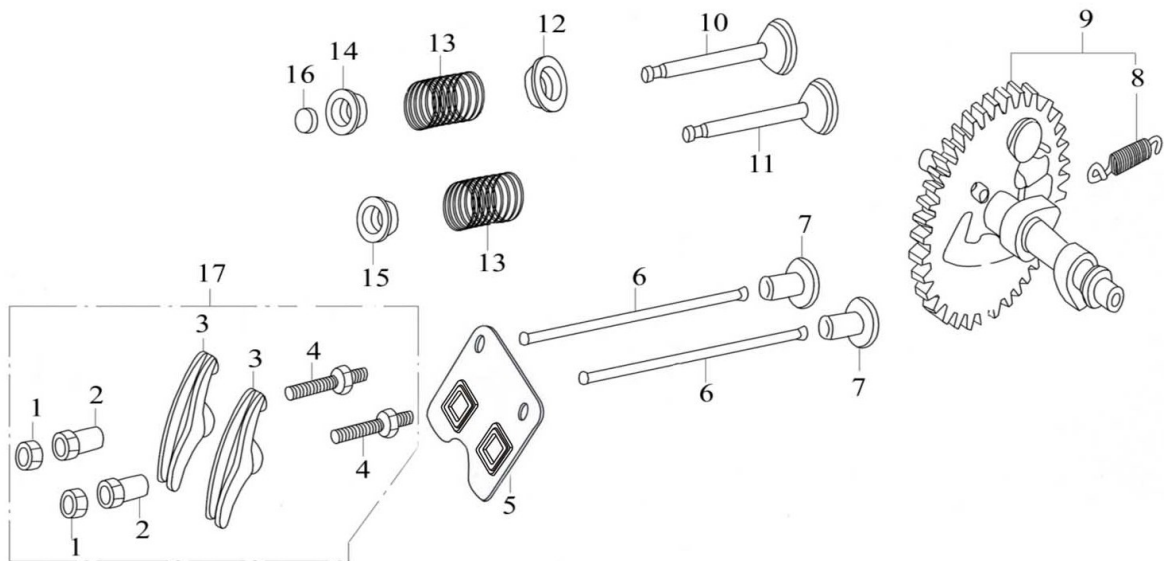
No.	Part No.	Description
1	12221/173F	Bolt
2	12222/173F	Washer
3	12223/173F	Rubber seal
4	12220/173F	Bolt
5	12200/173F	Cylinder head cover Assy
6	12212/173F	Gasket, cylinder head cover
7	GB/T16674	Bolt M10X80
8	19121/182F	Lead wind cover
9	17218/182F	Stud
10	12120/173F	Gasket, cylinder head
11	12217/173F	Set pin
12	12100/190F	Cylinder head Assy
13	27100/168F	Spark plug
14	18214/173F	Stud
15	11513/182F	Air duck
16	14420/173F	Seal
17	GB/T16674	Bolt M6 × 12

Crankshaft, Piston, Connecting & Balancing Shaft



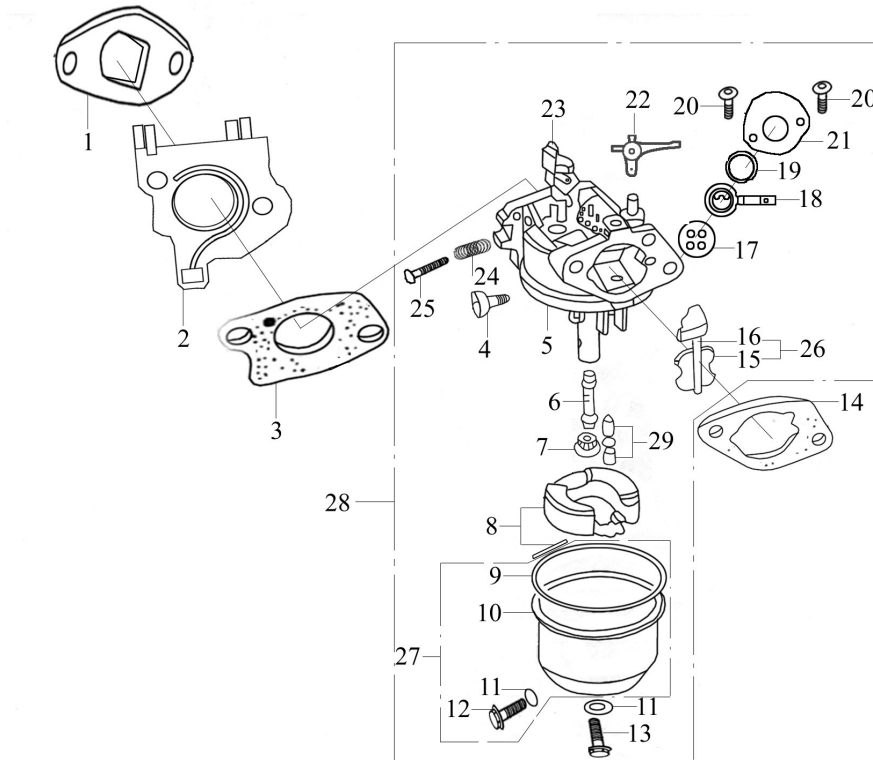
No.	Part No.	Description
1	13411/190F	Piston ring (I)
2	13412/190F	Piston ring (II)
3	13422/190F	Side rail
4	13421/190F	Expander
5	13420/190F	Scraper ring set
6	13313/182F	Piston pin circlip
7	13311/190F	Piston
8	13312/182F	Piston pin
9	13121/190F	Shank
10	13123/173F	Bolt
11	GB276-89	Bearing 6206
12	13112/182F	Woodruff key
13	13111/190F	Crankshaft
14	13114/190F	Drive gear
15	13113/190F	Timing driving gear
16	13300/190F	Piston ring set
17	13120/190F	Connecting rod assy
18	13110/190F	Crankshaft assy

Combination of Camshaft & Valve Rocker



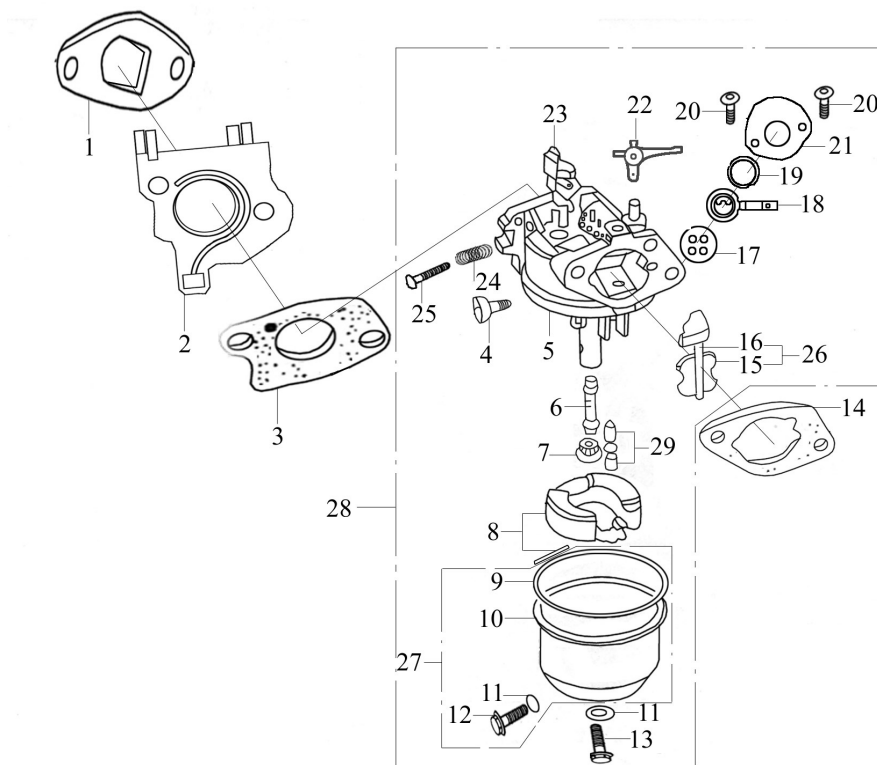
No.	Part No.	Description
1	14314/168F	Lock nut
2	14312/173F	Sleeve
3	14311/173F	Valve rocker
4	14313/173F	Adjusting bolt for valve gap
5	14221/173F	Pusher guide
6	14210/182F	Pusher
7	14315/173F	Tappet
8	14112/190F	Extension spring
9	14100/190F	Camshaft assy
10	14412/182F	Exhaust valve
11	14411/190F	Intake valve
12	14417/173F	Spring retainer, exhaust valve
13	14414/173F	Valve spring
14	14415/173F	Spring seat, exhaust valve
15	14413 /173F	Spring seat, intake valve
16	14416 /173F	Cap
17	14310 /173F	Valve rocker assy

Carburettor Assembly



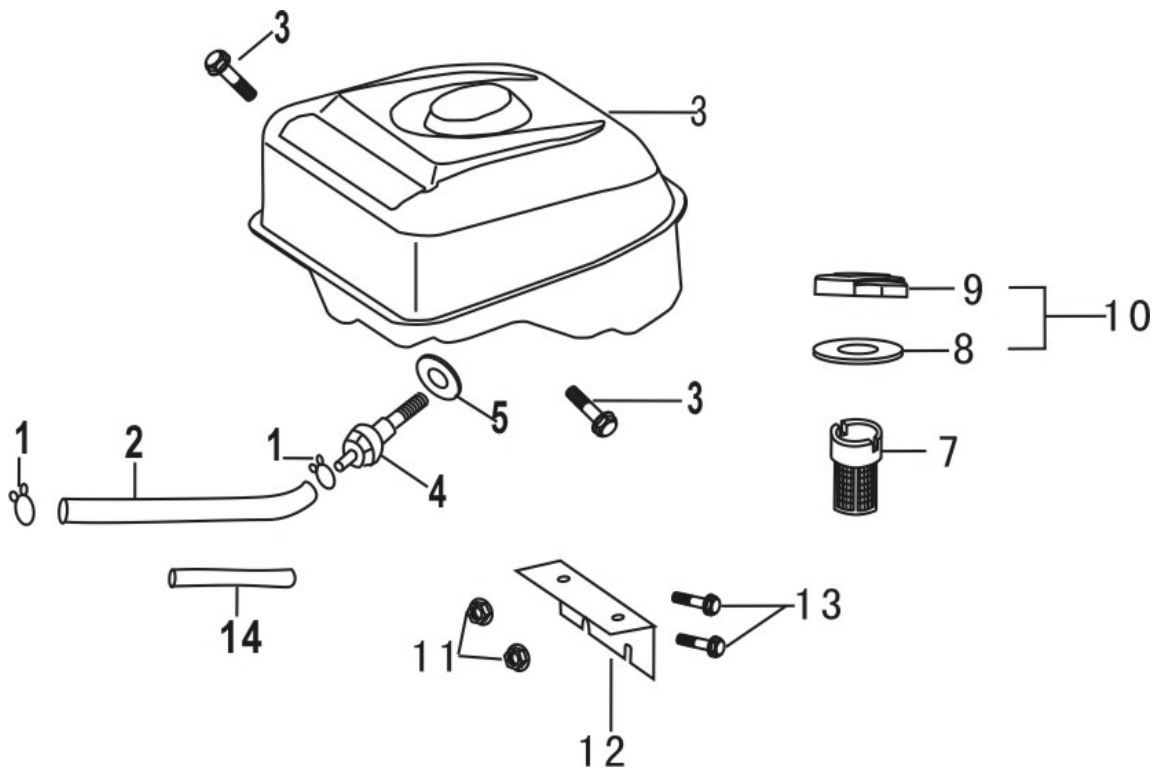
No.	Part No.	Description
1	17219/182F	Inlet gasket
2	16122/188F	Connecting block
3	16113/188F	Carburetor gasket
4	16341/168F	Idle adjustment screw
5	16240/173F	Mixture chamber body
6	16244/190F	Main nozzle
7	16243/190F	Main jet
8	16220/173F	Float
9	16216/173F	Float chamber gasket
10	16211/173F	Float chamber
11	16215/168F	Washer
12	16214/168F	Float chamber drain Screw
13	16212/168F	Screw
14	17113/173F	Air cleaner gasket

Carburettor Assembly



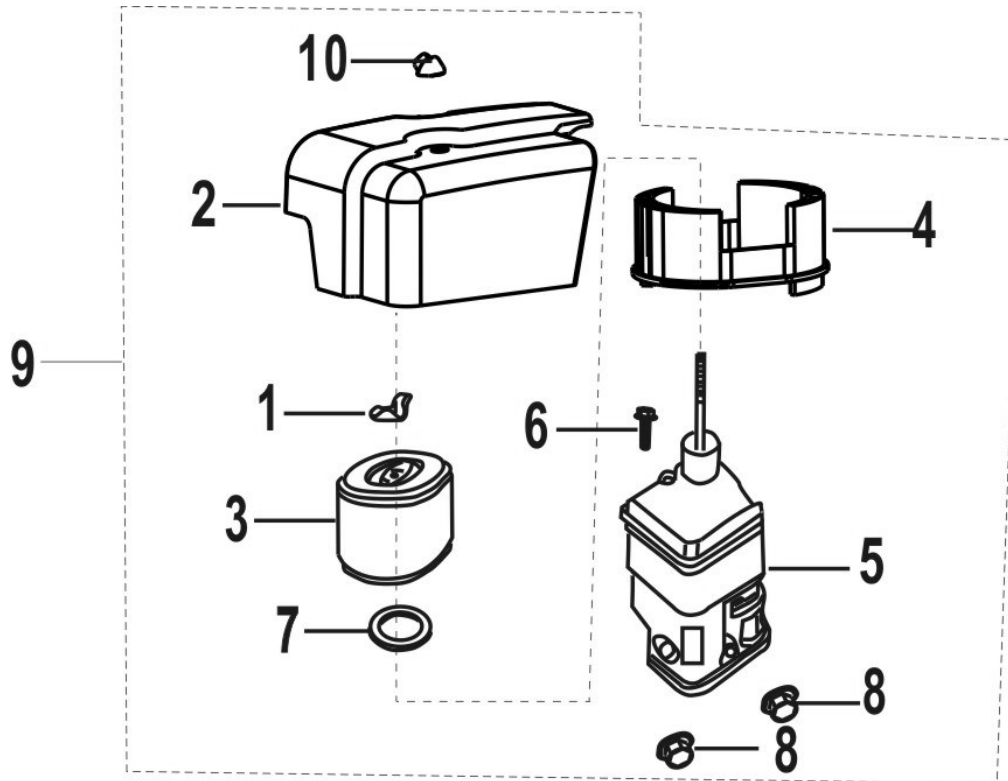
No.	Part No.	Description
15	16321/173F	Choke
16	16322/173F	Choke stem
17	16365/168F	Carburetor washer
18	16363/168F	Carburetor switch handle
19	16364/168F	Carburetor switch washer
20	GB/T16674.2	Screw M4
21	16362/168F	Carburetor switch cover
22	16323/173F	Choke switch shift fork
23	16260/173F	Throttle unit
24	16352/168F	Spring, mixture adjustment screw
25	16351/168F	Mixture adjustment screw
26	16320/173F	Choke unit
27	16210/173F	Float chamber
28	16100/190F	Carburetor Assy
29	16230/173F	Float needle

Fuel Tank Assembly



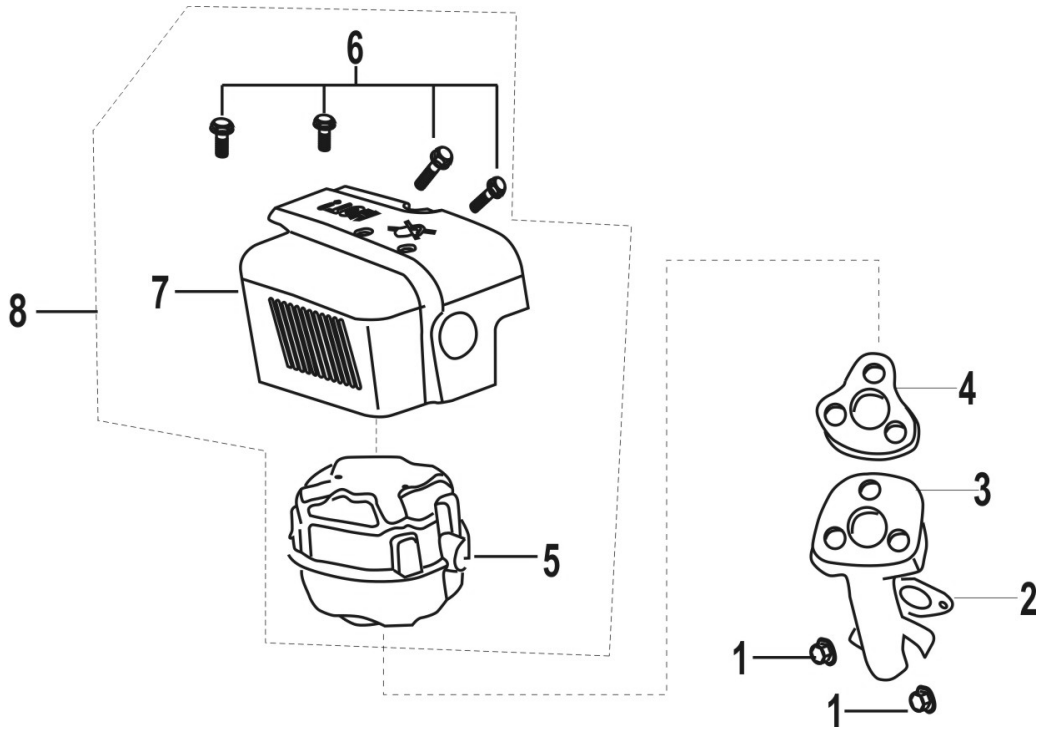
No.	Part No.	Description
1	16624/168F	Pipe clamp
2	16621/182F	Outlet pipe
3	GB/T16674	Bolt M8 × 45
4	16630/168F	Connector
5	16634/168F	Packing ring
6	16610/168F	Filter cup
7	16500/182F-B	Fuel tank
8	16414/168F	Packing ring
9	16411/168F-B	Fuel filler cap
10	16400/168F-B	Fuel filler cap with packing ring
11	GB/T6186	Nut M6
12	16541/182F-A	Fuel tank adapting piece
13	GB/T16674	Bolt M6 × 25
14	16922/173F	Protected sheath

Air Cleaner Assembly



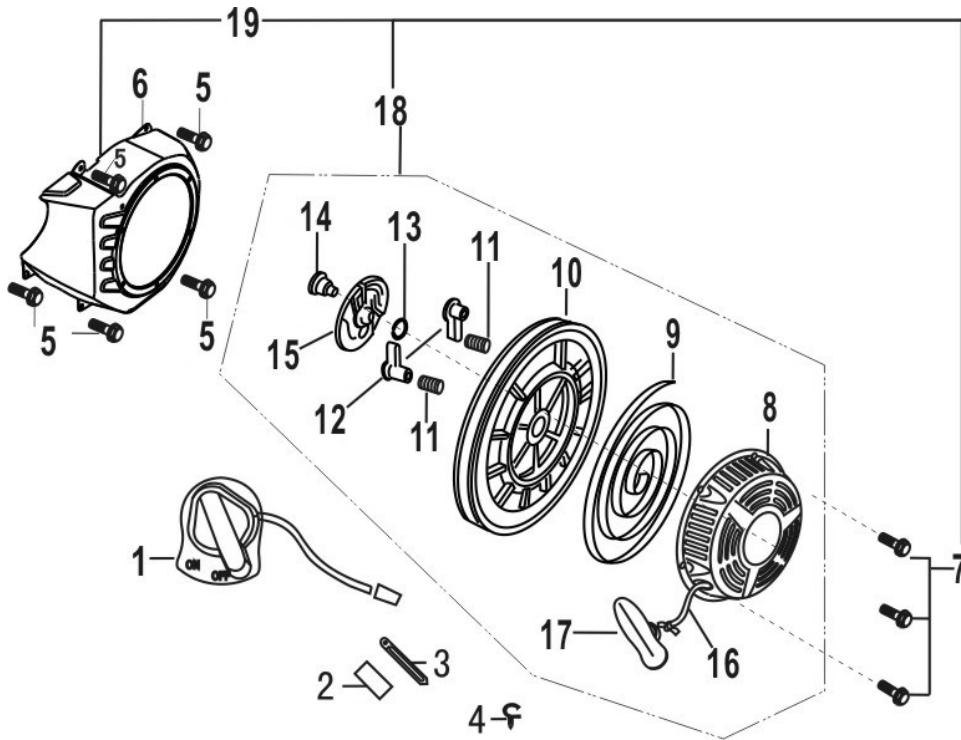
No.	Part No.	Description
1	GB/T62-88	Wing nut
2	17112/182F-B	Air cleaner cover
3	17120/182F	Filter element
4	17115/182F	Air cleaner aeration cover
5	17200/182F-B	Air cleaner housing
6	GB/T16674	Bolt M6×28
7	17128/182F	Washer
8	GB/T6187.1	Nut M6
9	17100/182F-B	Air cleaner assy
10	17117/168F-B	Air cleaner cover nut

Muffler



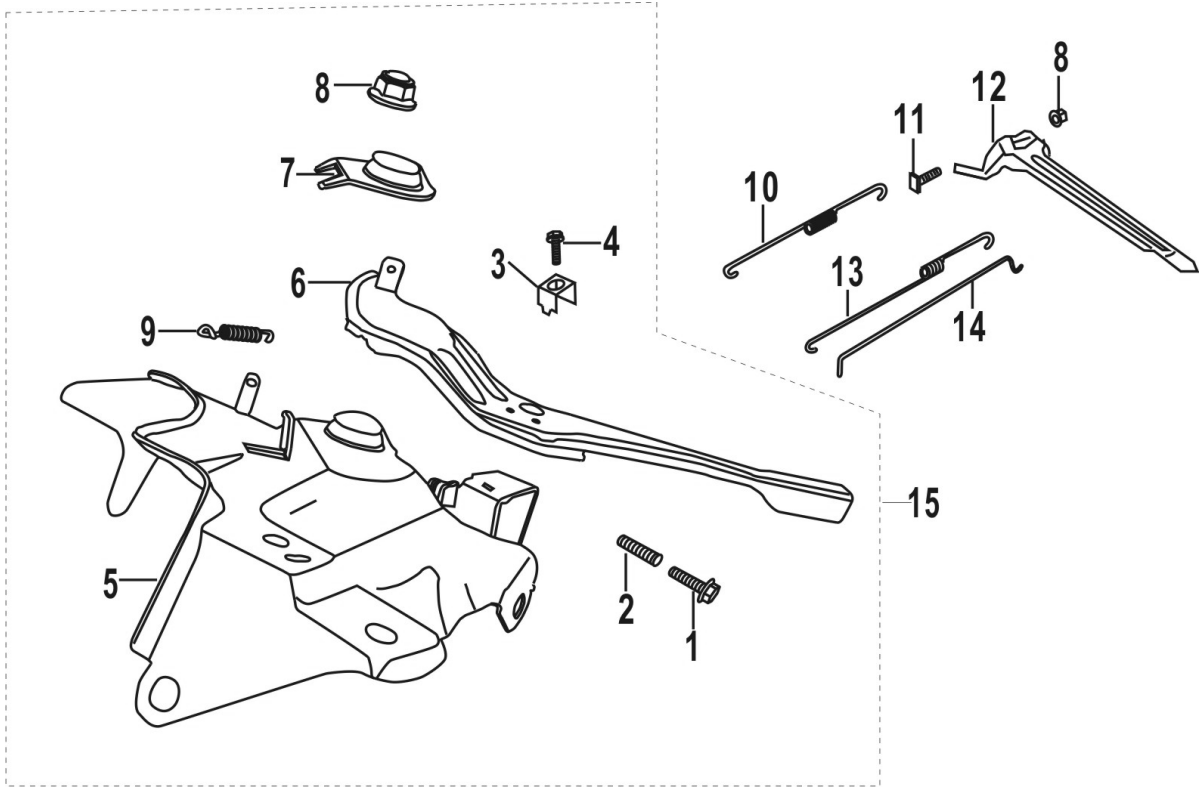
No.	Part No.	Description
1	GB6170-86	Nut M8
2	18215/182F	Exhaust pipe gasket
3	18117/173F	Exhaust pipe
4	18217/173F	Muffler gasket
5	18100/182F	Muffler
6	GB/T16674.2	Screw M5×8
7	18130/182F-B	Muffler hood assy
8	18000/182F-B	Muffler assy

Recoil Starter Assembly



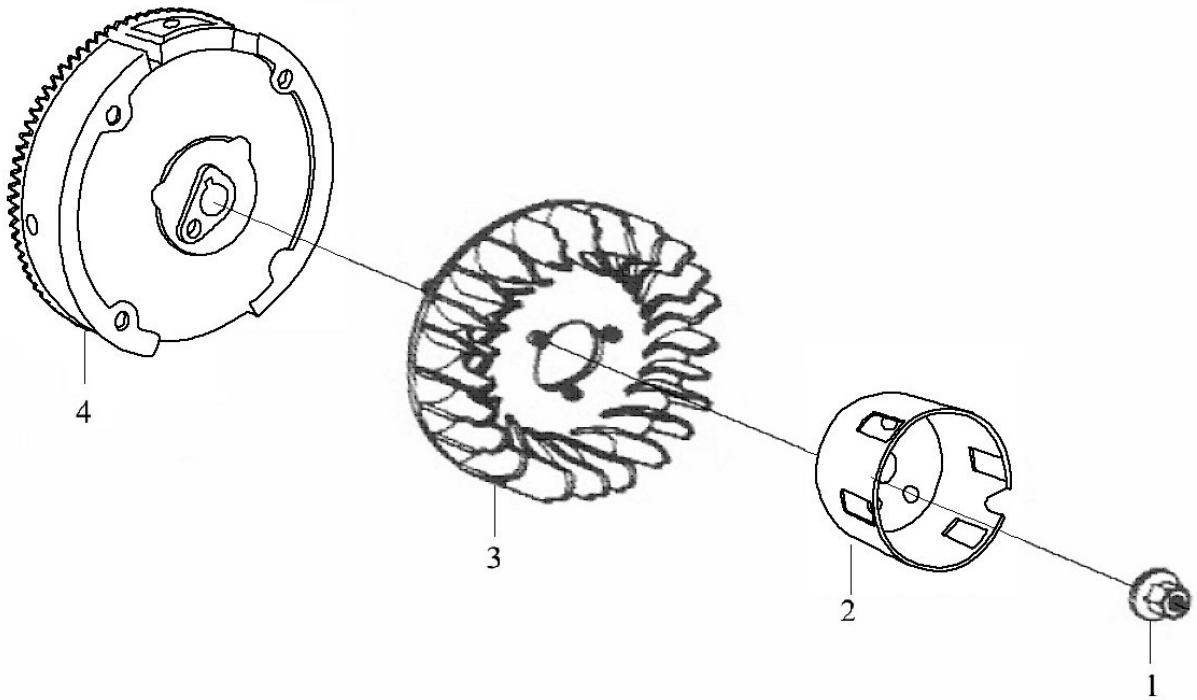
No.	Part No.	Description
1	27300/168F-B	Engine switch
2	19314/173F	Wire grommet
3	19316/173F	Clip
4	16628/173F	Plastic clip
5	GB/T16674.2	Bolt M6×12
6	19210/182F-E	Fan hood assy
7	GB/T16774.2	Bolt M6×8
8	23240/182F-A	Recoil starter casing
9	23214/173F	Spiral spring
10	23217/173F	Starter rolls
11	23212/173F	Ratchet spring
12	23215/173F	Ratchet
13	23211/173F	Friction spring
14	23213/173F	Set screw
15	23216/173F	Spring lid
16	23218/173F	Rope
17	23230/168-B	Pulling handle
18	23200/182F-B	Recoil starter
19	23100/182F-B	Recoil starter assy

Regulating Control System



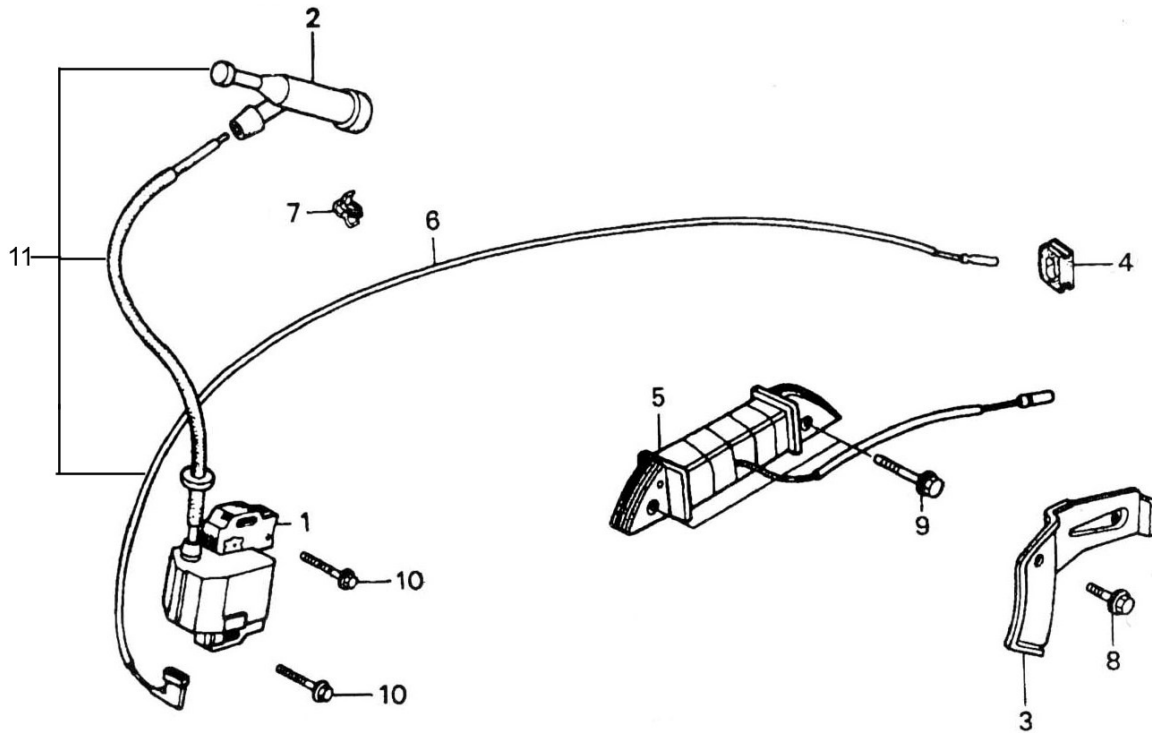
No.	Part No.	Description
1	GB818-85-H	Bolt M5×35
2	26215/182F	Regulating spring
3	26213/182F	Clamp
4	GB/T16674.2	Bolt M6×12
5	26211/182F	Support panel
6	26261/182F	Handgrip
7	26224/182F	Setting panel
8	GB6177-86	Nut M6
9	26214/182F	Spring
10	26117/190F	Back spring
11	26116/168F	Lock bolt
12	26114/182F	Regulating arm
13	26118/182F	Fine regulating spring
14	26115/182F	Pulling rod
15	26200/182F	Regulating frame assy

Fly Wheel



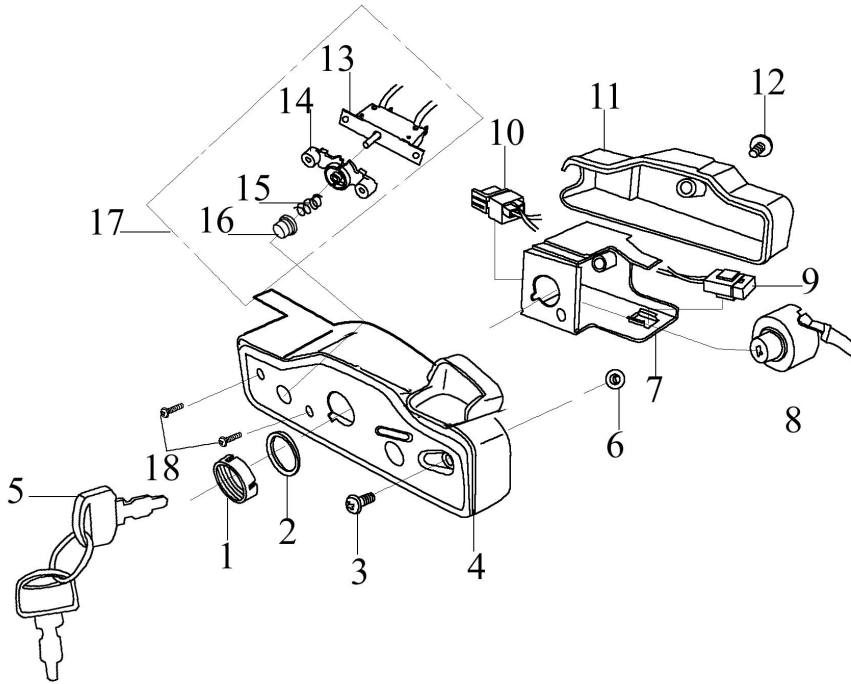
No.	Part No.	Description
1	23317/173F	Nut M16×1.5
2	23316/182F-E	Starting flange
3	19111/190F	Flywheel fan
4	23300/190FD	Flywheel

Ignition Coil



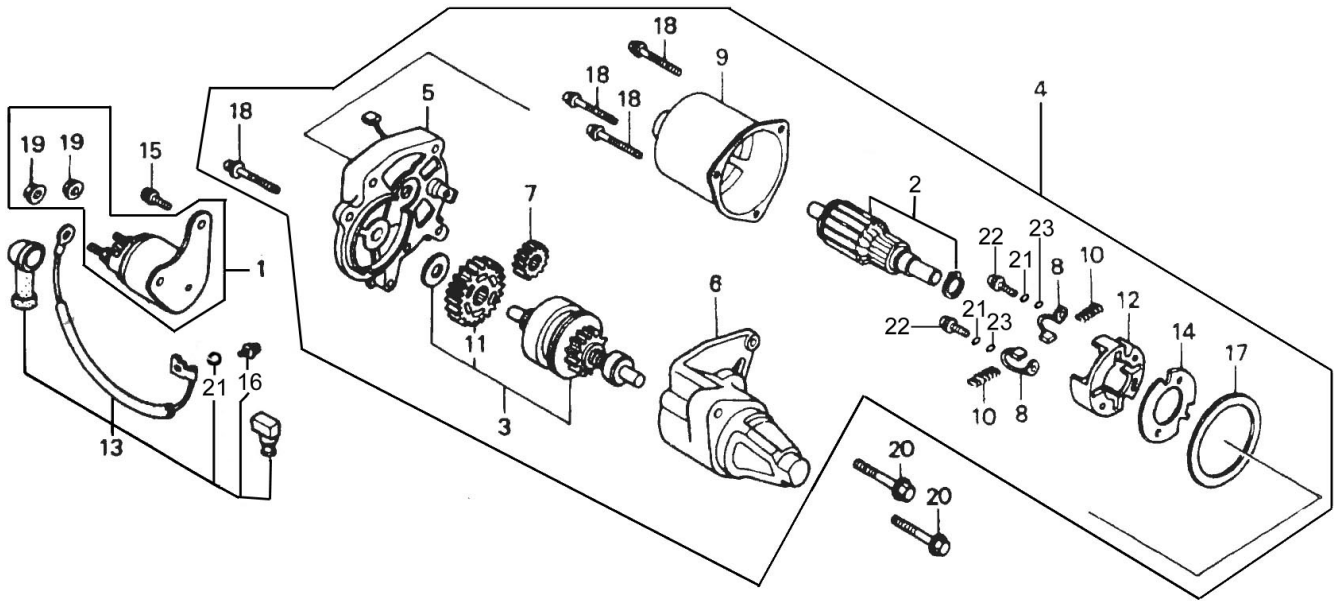
No.	Part No.	Description
1	27210/182F	Ignition coil
2	27220/173F	Cap, spark plug
3	24112/182FD	Clamper, cord
4	11117/173F	Rubber ring, crankcase
5	24130/182FD	Charge coil
6	27230/182F	Extinguishing cable
7	19316/173F	Cable tie
8	GB/T16674	Bolt, M6×12
9	GB/T16674	Bolt, M6×35
10	GB/T16674	Bolt, M6×25
11	27200/182F	Ignition coil unit

Starting Motor Control Box Assembly



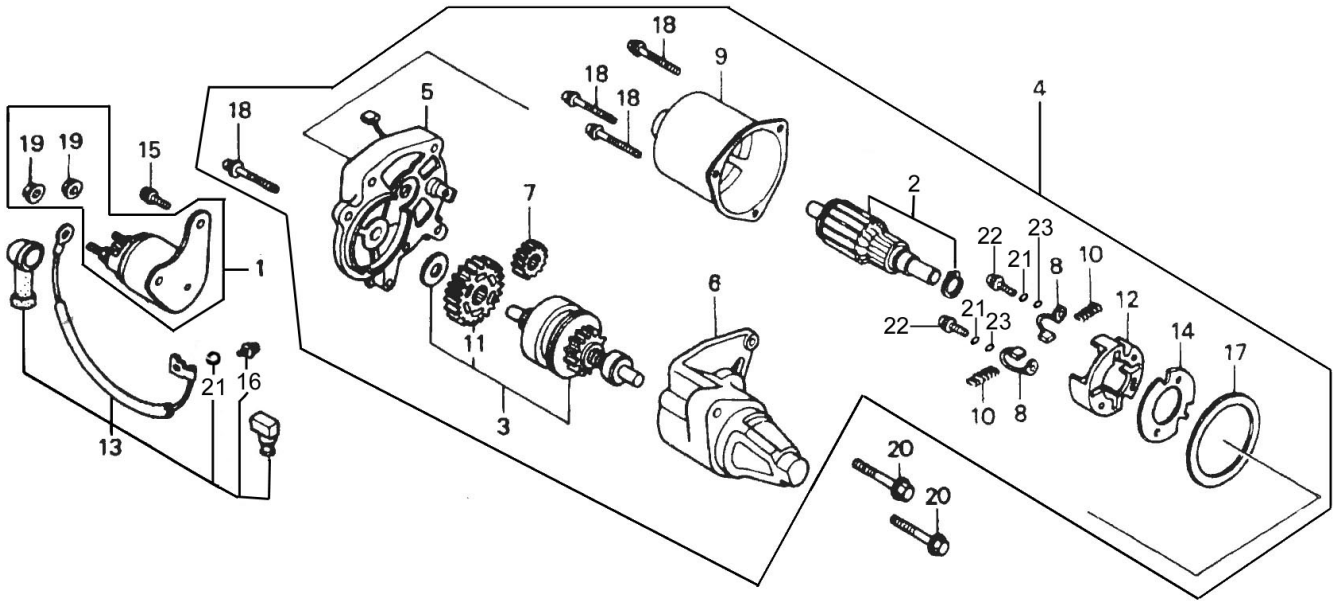
No.	Part No.	Description
1	24217/182FD	Clamp ring
2	24218/182FD	Gasket
3	GB818-86	Bolt M4×10
4	24211/182FD-E	Control front cover
5	24216/182FD	Key
6	GB6187-86	Nut M4
7	24212/182FD	Fixed mount
8	24215/182FD	Key switch
9	24230/182FD	Safety
10	24225/182FD	Diode assy
11	24213/182FD	Control rear cover
12	24214/182FD	Attachment bolt
13	24221/182FD	Protector
14	24222/182FD	Fixed mount
15	24223/182FD	Spring
16	24224/182FD	Cover
17	24220/182FD	Protector assy
18	GB818-85	Bolt M3×12

Starting Motor Assembly



No.	Part No.	Description
1	24120/182FD	Relay, start-up
2	24150/182FD	Rotor comp.
3	24110/182FD	Starting clutch
4	24100/182FD	Starting motor Assy
5	24122/182FD	Base, starting
6	24123/182FD	Housing, starting clutch
7	24119/182FD	Driven gear
8	24160/182FD	Brush comp.
9	24170/182FD	Stator comp.
10	24124/182FD	Spring, brush
11	24121/182FD	Reducing gear
12	24125/182FD	Stay, brush
13	24118/182FD	Cable, starting motor
14	24127/182FD	Insulator
15	GB/T818-85	Bolt, M5×14
16	GB/T818-85	Screw, M4×6

Starting Motor Assembly



No.	Part No.	Description
17	24128/182FD	Packing ring
18	GB/T818-85	Screw, M5×32
19	GB/T6170-86	Nut, M6
20	GB/16674	Bolt, M8×35
21	GB/T93-87	Spring washer, 4
22	GB/T818-85	Screw, M4×14
23	GB/T97.1-85	Washer, 4



lifanpower.com.au