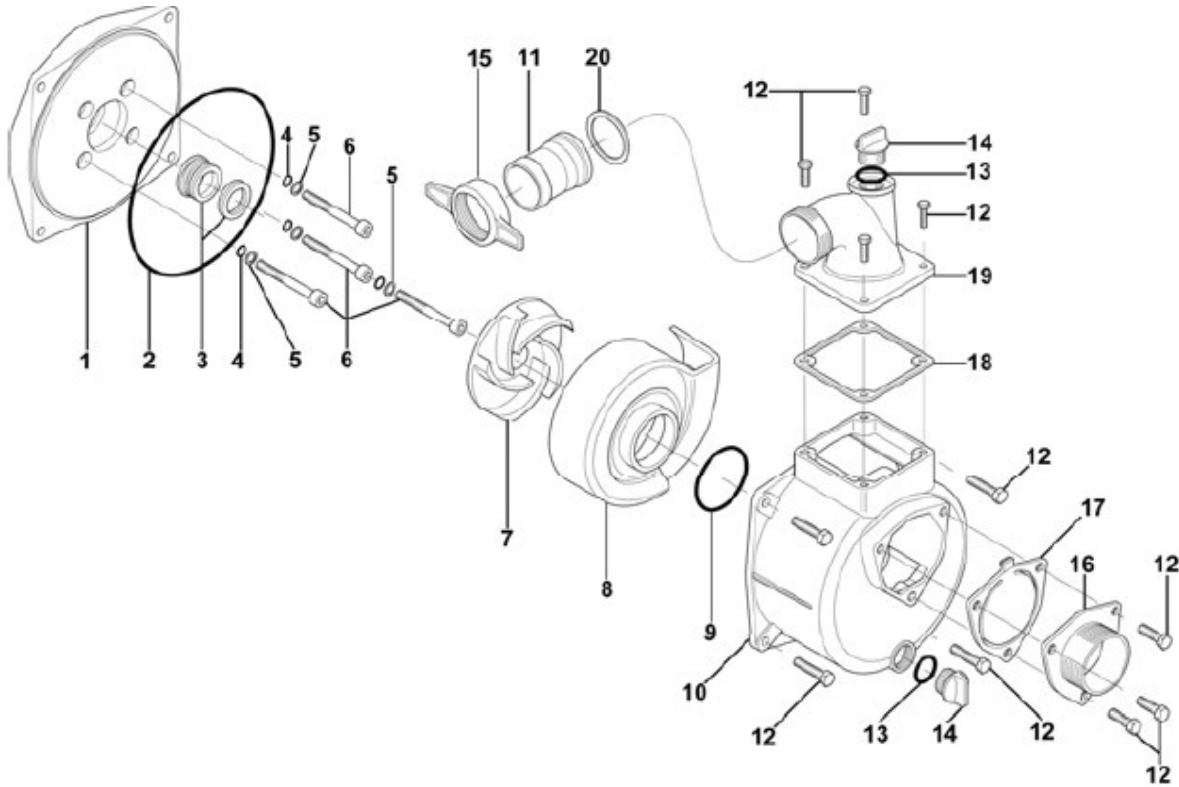


LIFAN 2" WATER TRANSFER PUMP

WATER PUMP ASSEMBLY



S/N	PART NO.	DESCRIPTION
1	44112	HOUSING, REAR
2	44121	O RING
3	44230	SEAL, MECHANICAL
4		O RING
5	44122	WASHER, COPPER
6	GB5787-86	BOLT, ALLEN HEAD
7	44211	IMPELLER
8	44212	COVER, IMPELLER
9	44221	O RING
10	44111	HOUSING, FRONT
11		TAIL, 2"
12	GB5787-86	BOLT, HEX
13	44142	O RING
14	44141	PLUG, DRAIN
15		NUT, WING 2"
16	44511	FLANGE, INLET 2"
17	44521	GASKET, INLET FLANGE
18		GASKET, OUTLET FLANGE
19	44311	FLANGE, OULTET 2"
20		GASKET 2"