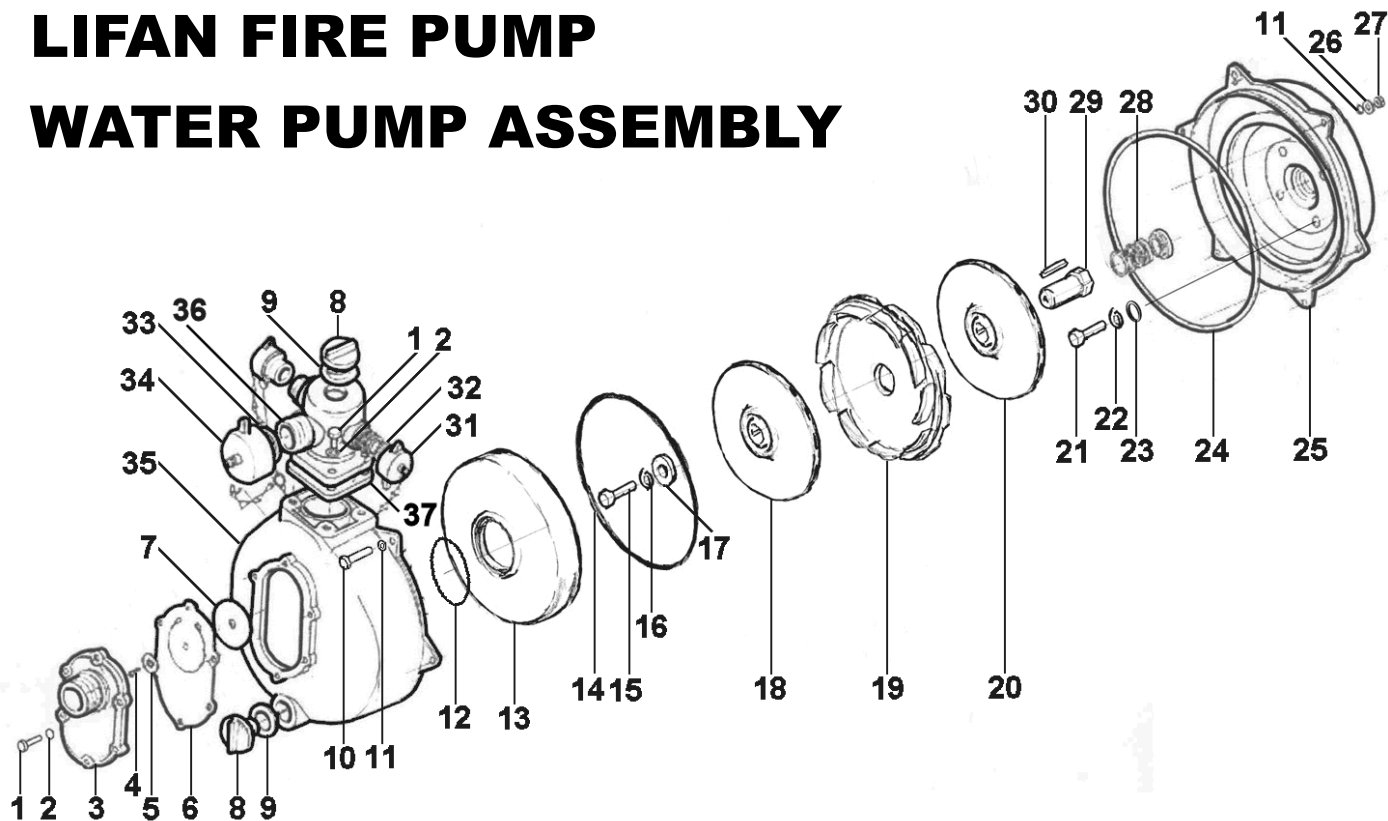


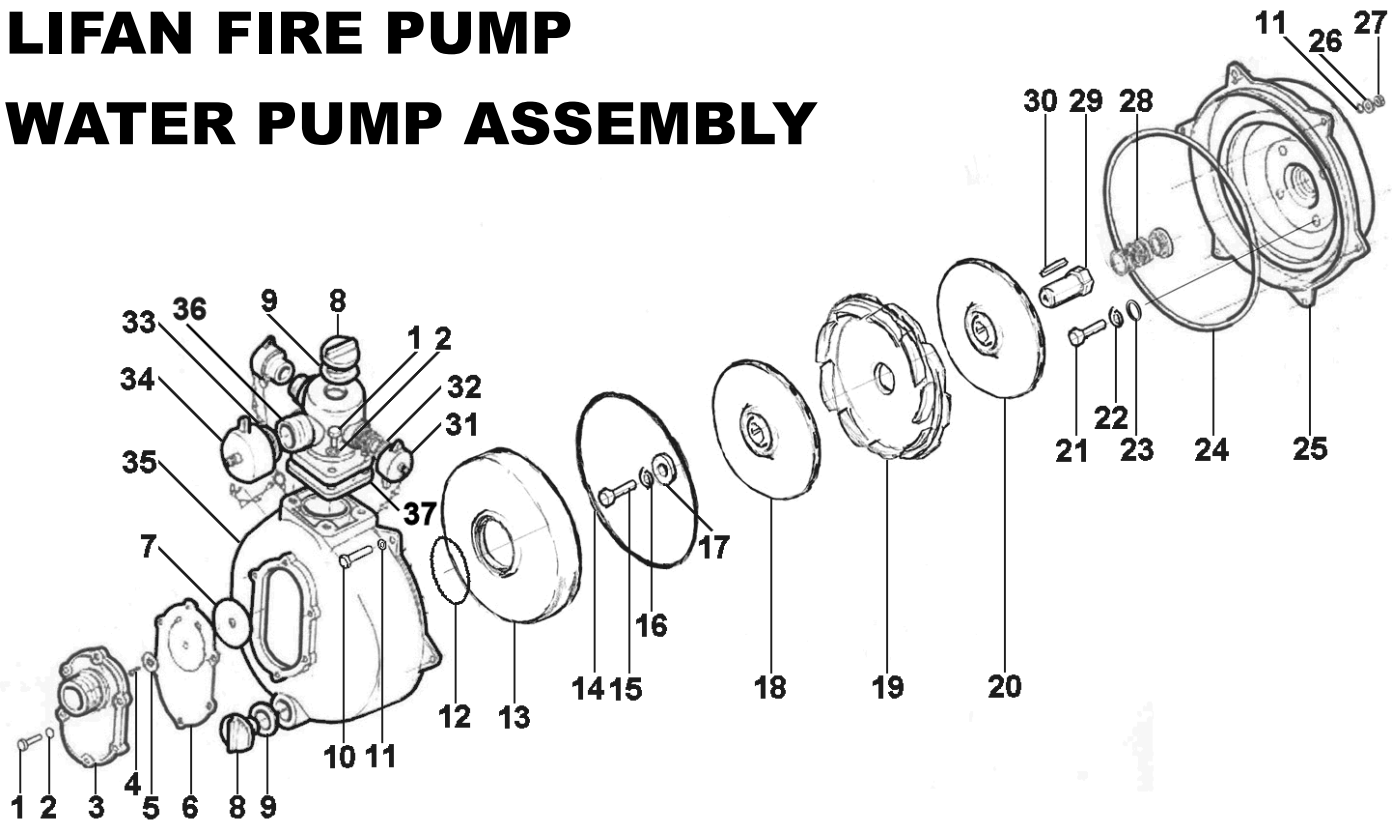
LIFAN FIRE PUMP WATER PUMP ASSEMBLY



| S/N | MODEL NO. | PART NO. | DESCRIPTION |
|-----|-----------|-----------|-------------------------|
| 1 | LFFPT | GB/T5783 | Bolt M8×25 |
| 2 | LFFPT | GB/T97.1 | Washer M8 |
| 3 | LFFPT | 51271 | Flange, Inlet 1.5" |
| 4 | LFFPT | GB/T819.1 | Screw M6×12 |
| 5 | LFFPT | 51272 | Washer |
| 6 | LFFPT | 51273 | Flap, Non Return |
| 7 | LFFPT | 51274 | Weight, Non Return |
| 8 | LFFPT | 51241 | Plug |
| 9 | LFFPT | 51242 | O-Ring |
| 10 | LFFPT | GB/T5783 | Bolt M10×40 |
| 11 | LFFPT | GB/T97.1 | Washer |
| 12 | LFFPT | 51275 | Gasket |
| 13 | LFFPT | 51276 | Cover, Impeller Primary |
| 14 | LFFPT | 51277 | O-Ring |
| 15 | LFFPT | GB/T5783 | Bolt M10×25 |
| 16 | LFFPT | GB/T859 | Washer, Spring M10 |
| 17 | LFFPT | GB/T848 | Washer, Wide |
| 18 | LFFPT | 51278 | Impeller, Primary |
| 19 | LFFPT | 51279 | Flange, Fluted |

LIFAN FIRE PUMP

WATER PUMP ASSEMBLY



| S/N | MODEL NO. | PART NO. | DESCRIPTION |
|-----|-----------|----------|---------------------|
| 20 | LFFPT | 51281 | Impeller, Secondary |
| 21 | LFFPT | GB/T5783 | Bolt M8×40 |
| 22 | LFFPT | GB/T97.1 | Washer M8 |
| 23 | LFFPT | 51282 | O-Ring |
| 24 | LFFPT | 51212 | O-Ring |
| 25 | LFFPT | 51211 | Housing, Rear |
| 26 | LFFPT | GB/T93 | Washer, Spring M10 |
| 27 | LFFPT | GB/T6170 | Nut M10 |
| 28 | LFFPT | 51232 | Seal, Mechanical |
| 29 | LFFPT | 51283 | Shaft, Stud |
| 30 | LFFPT | GB/T1096 | Key 4×35 |
| 31 | LFFPT | 51265 | Cap, Outlet 1" |
| 32 | LFFPT | 51264 | Gasket |
| 33 | LFFPT | 51266 | Gasket |
| 34 | LFFPT | 51263 | Cap, Outlet 1.5" |
| 35 | LFFPT | 51223 | Case, Front |
| 36 | LFFPT | 51261 | Manifold, Outlet |
| 37 | LFFPT | 51262 | Gasket, Manifold |