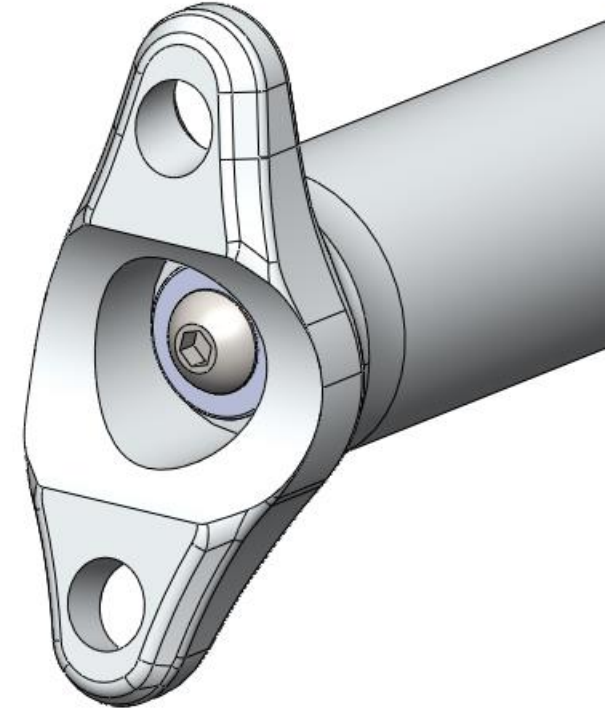
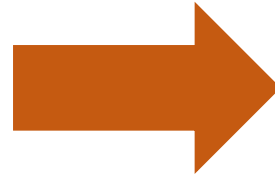
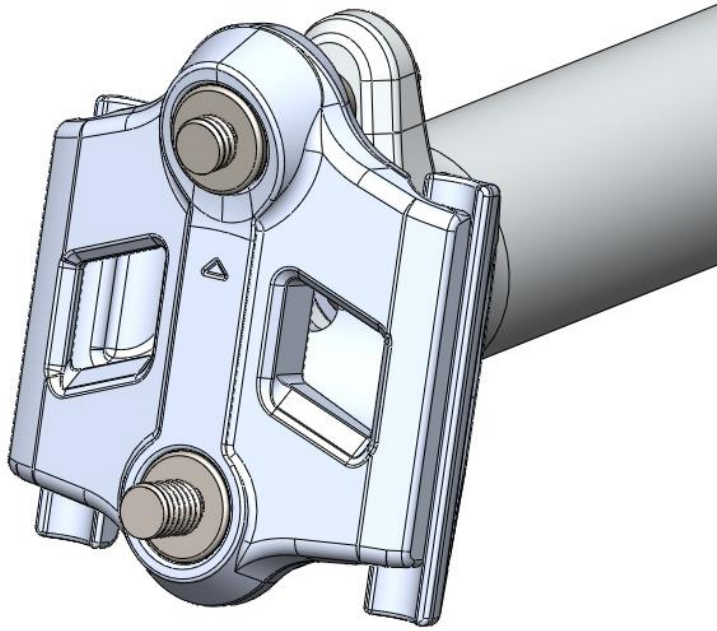


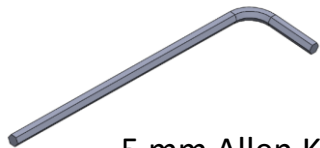
W H Y T E

Whyte drop.it II  
Cartridge replacement  
Dismantling  
Travel 150L ↑

Step 1

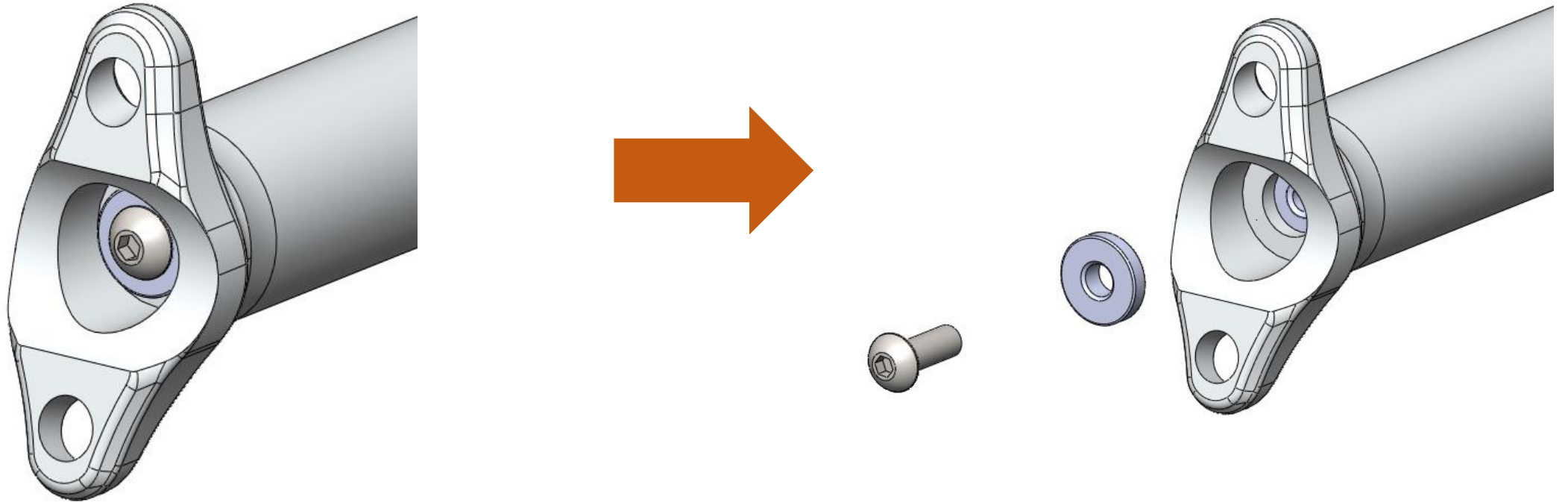


Tools:

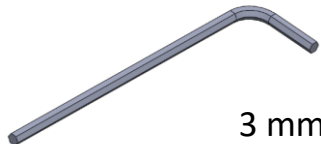


5 mm Allen Key

Step 2

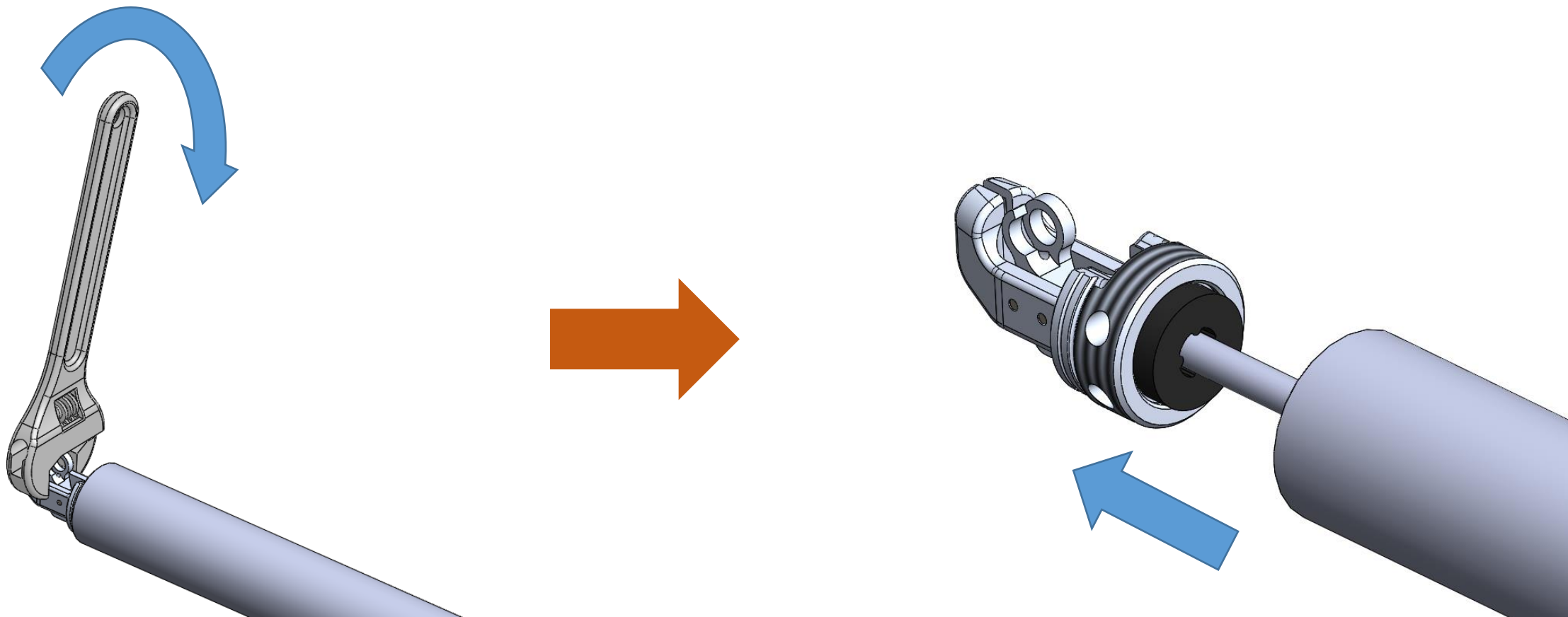


Tools:



3 mm Allen Key

Step 3



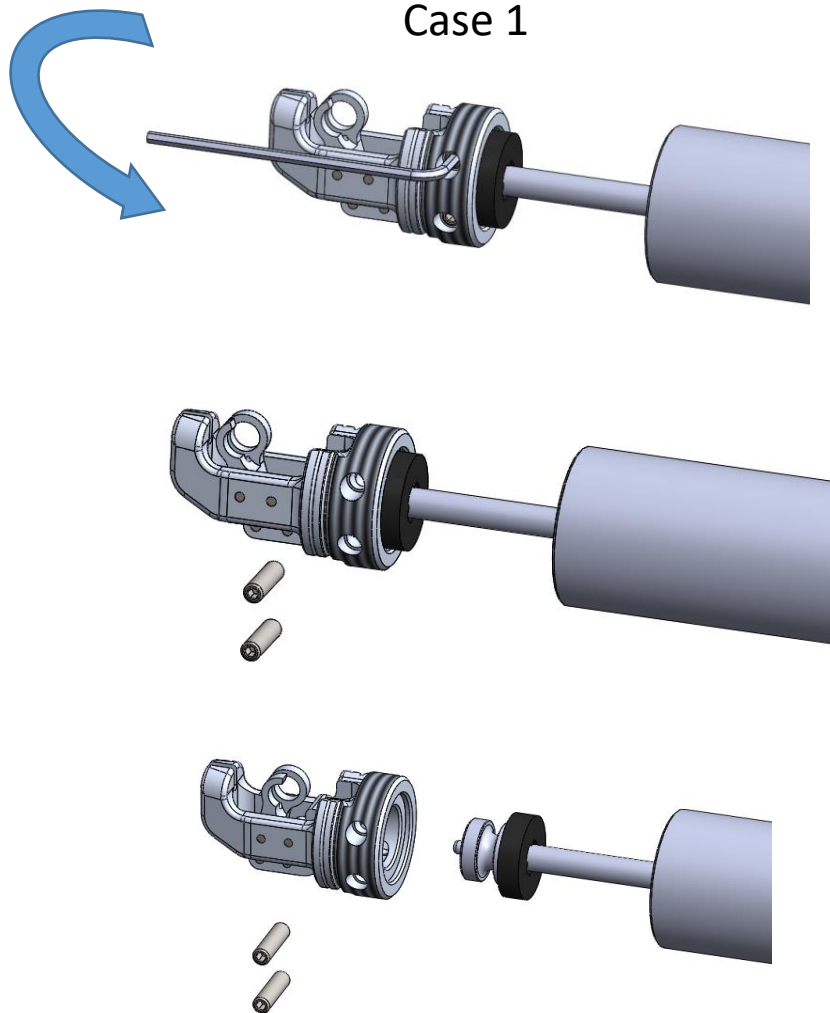
Tools:



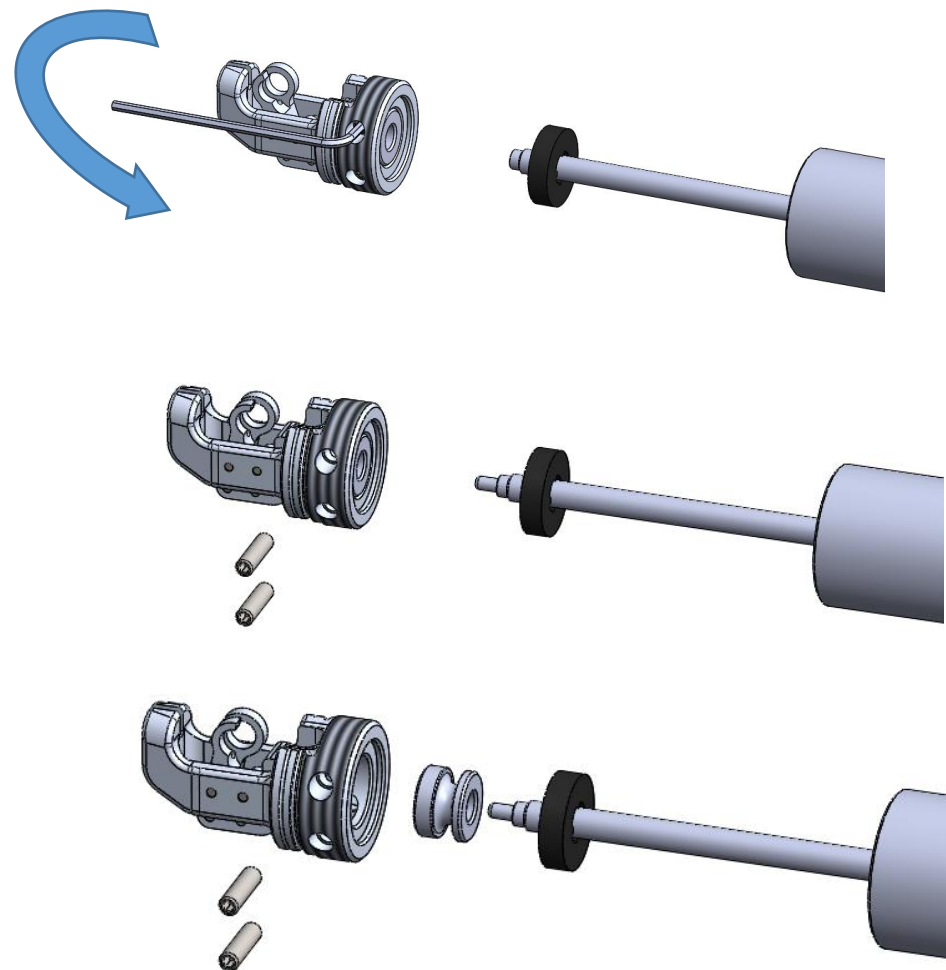
Wrench

# Step 4

## Case 1



## Case 2

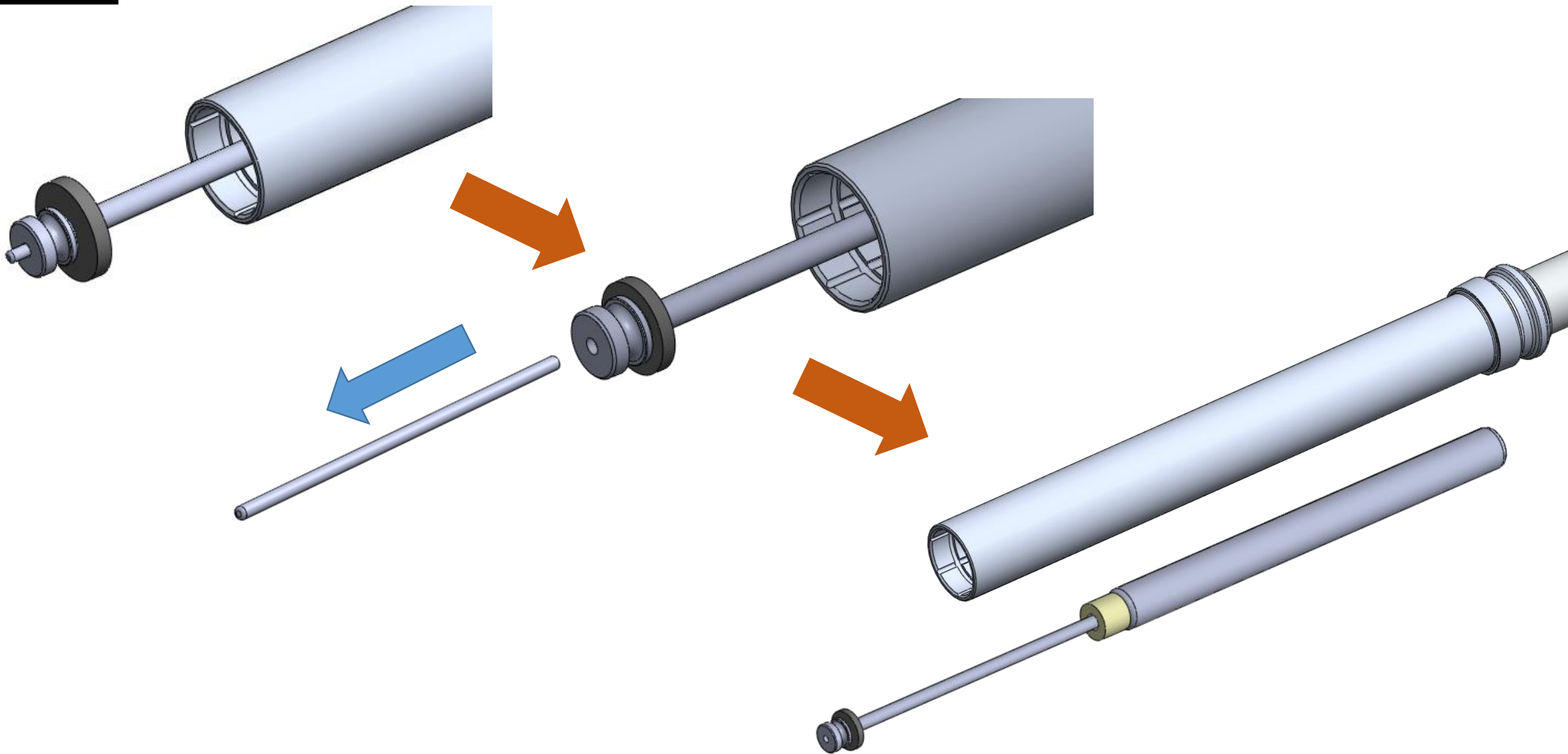


Tools:

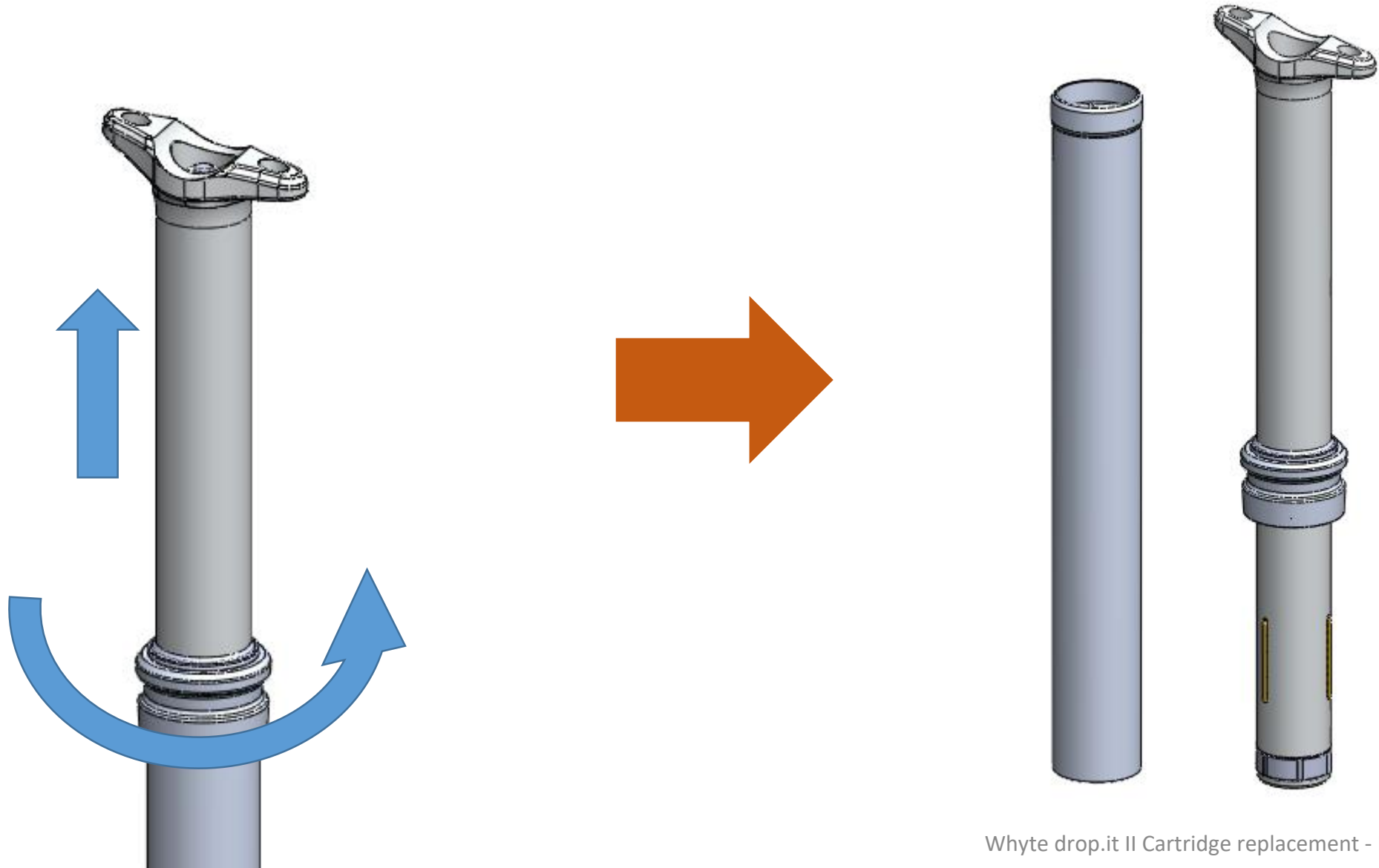


2mm Allen Key

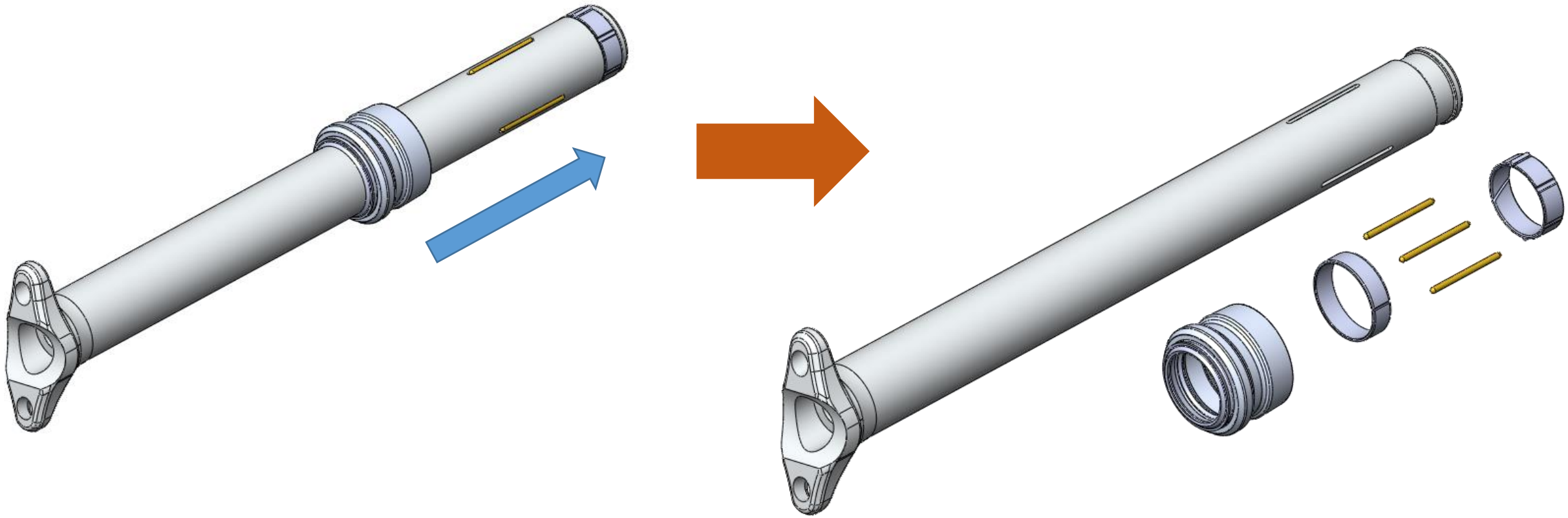
Step 5



Step 6

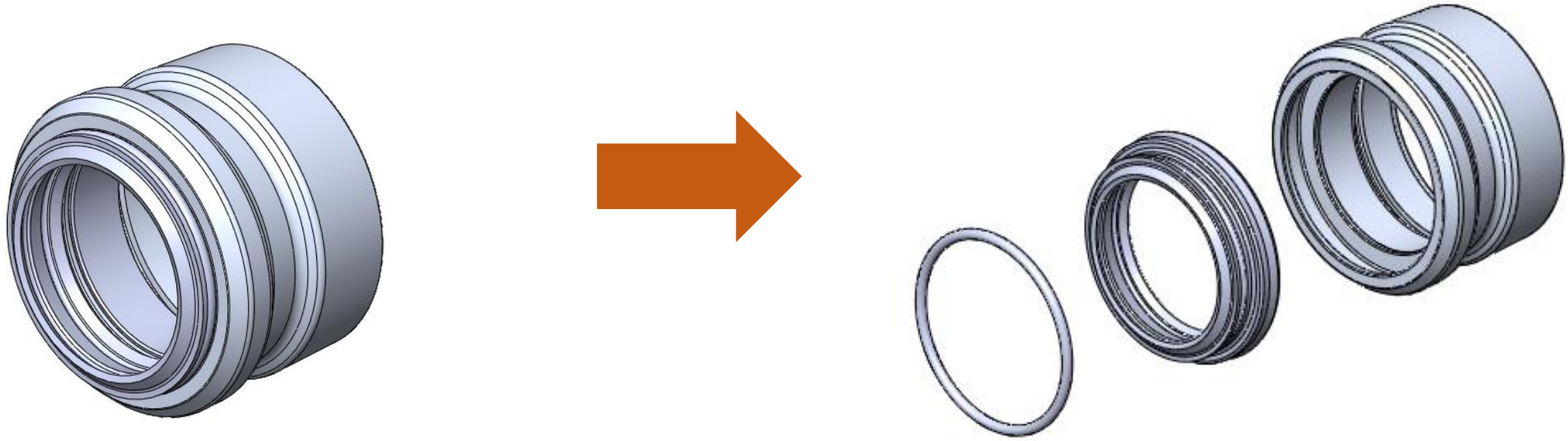


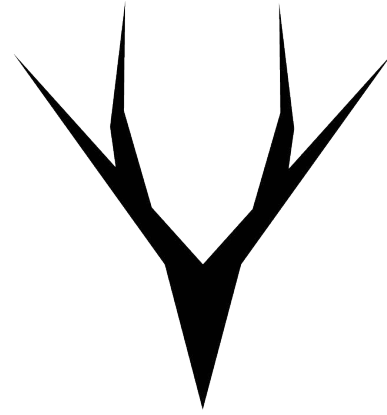
# Step 7





## Step 8





W

H

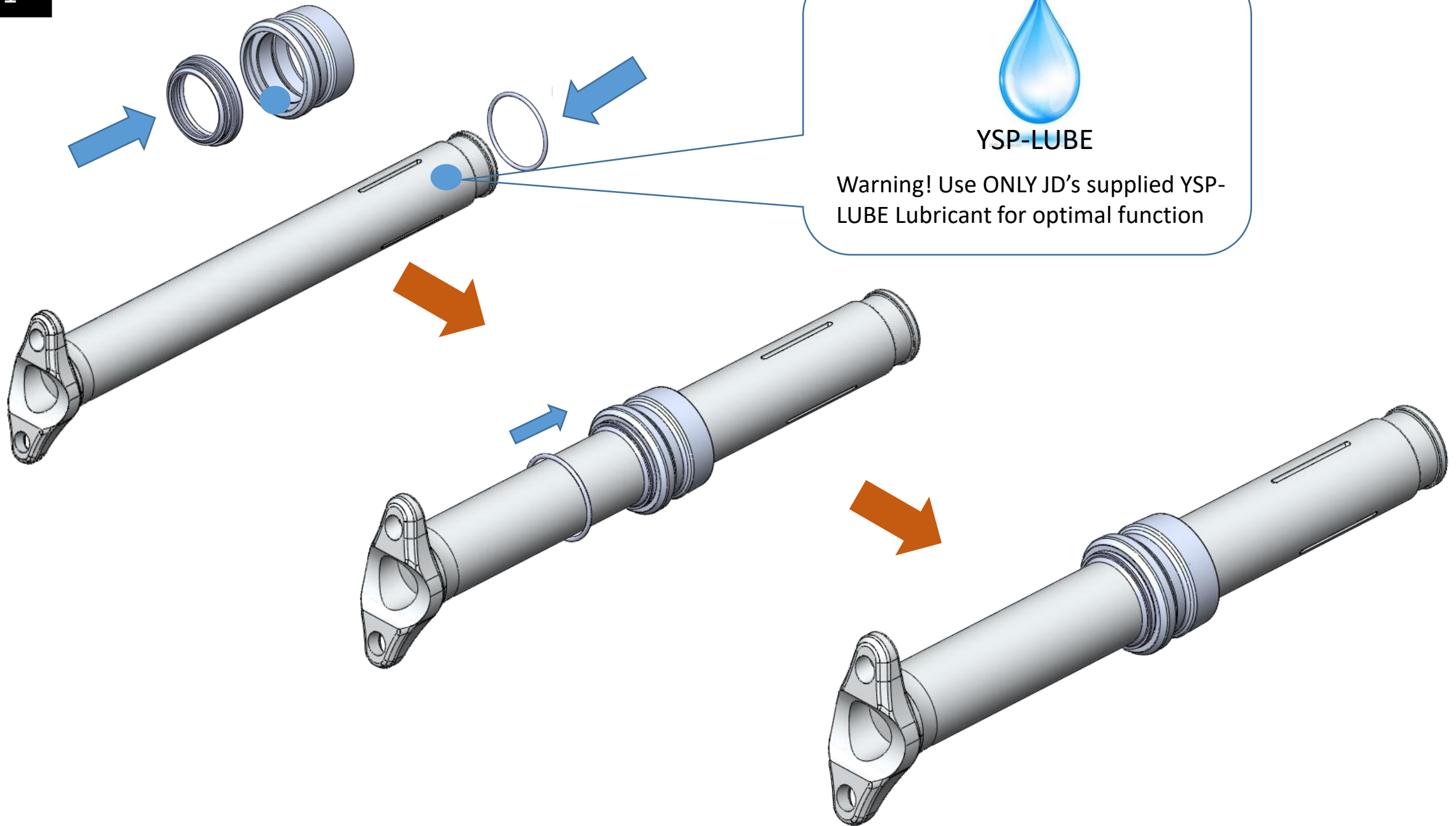
Y

T

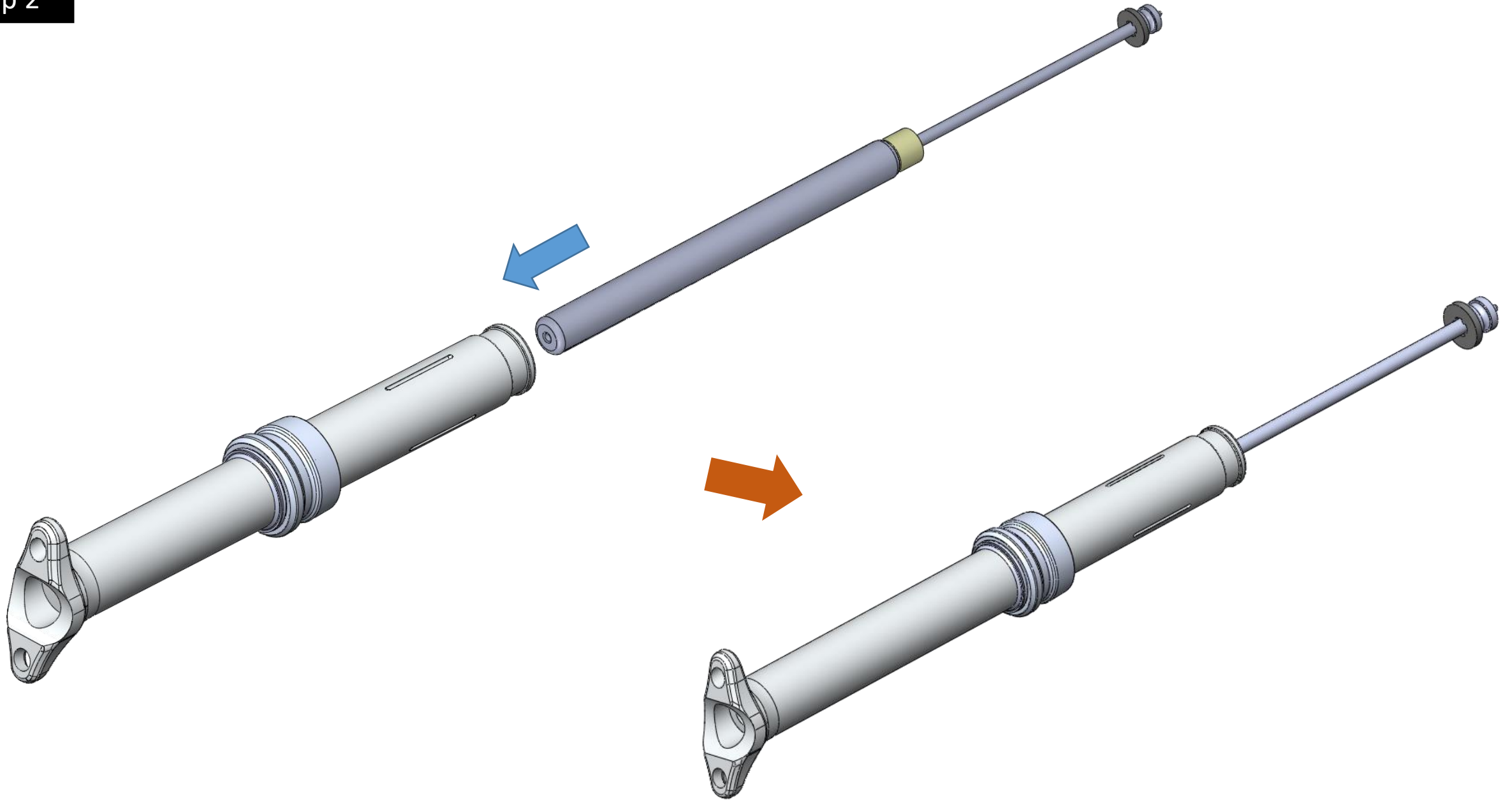
E

Whyte drop.it ll  
YSP23 Cartridge replacement  
Assembly  
Travel 150L ↑

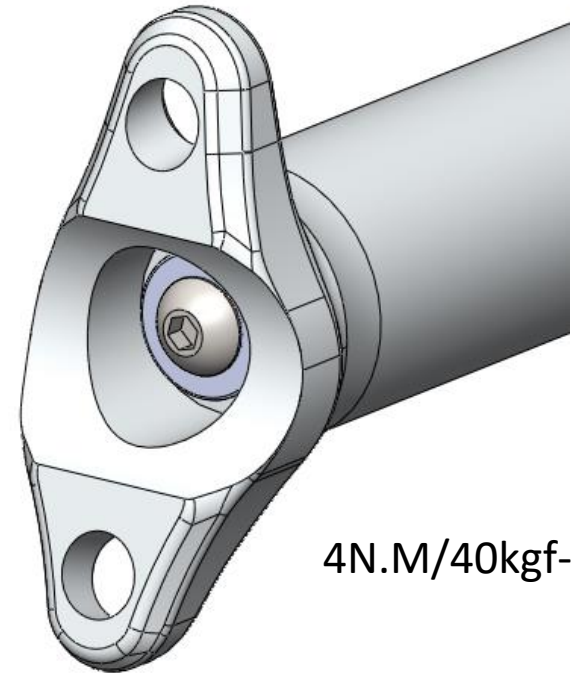
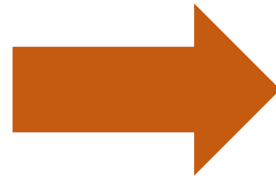
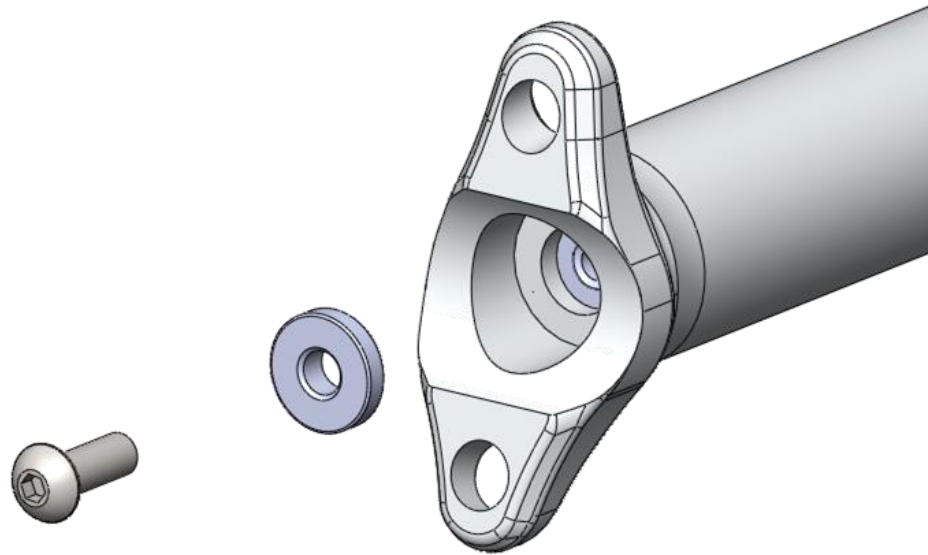
# Step 1



## Step 2

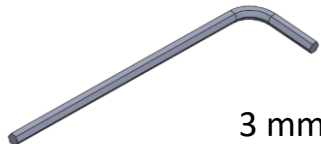


Step 3



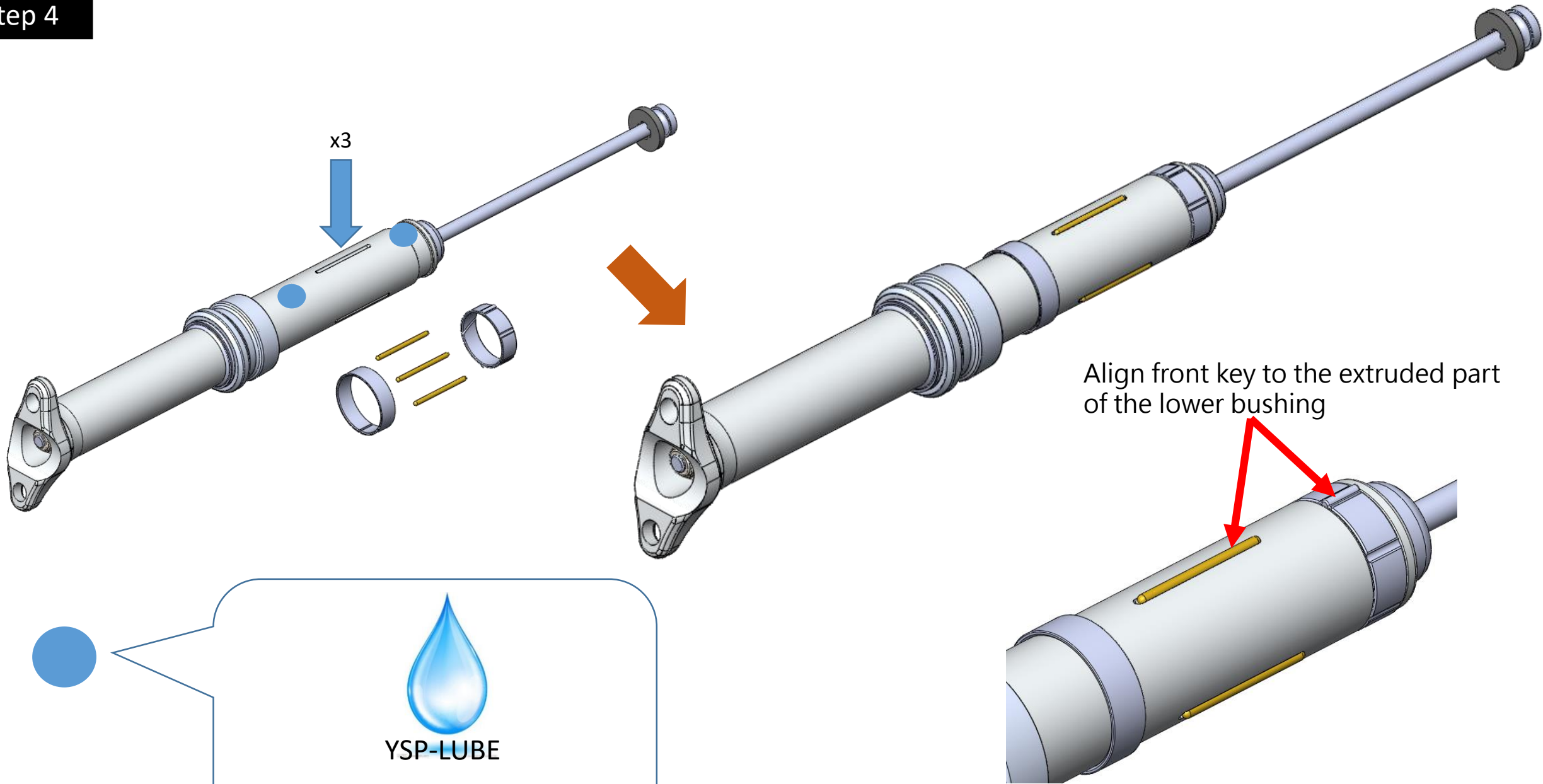
4N.M/40kgf-cm

Tools:



3 mm Allen Key

# Step 4



Align front key to the extruded part of the lower bushing



YSP-LUBE

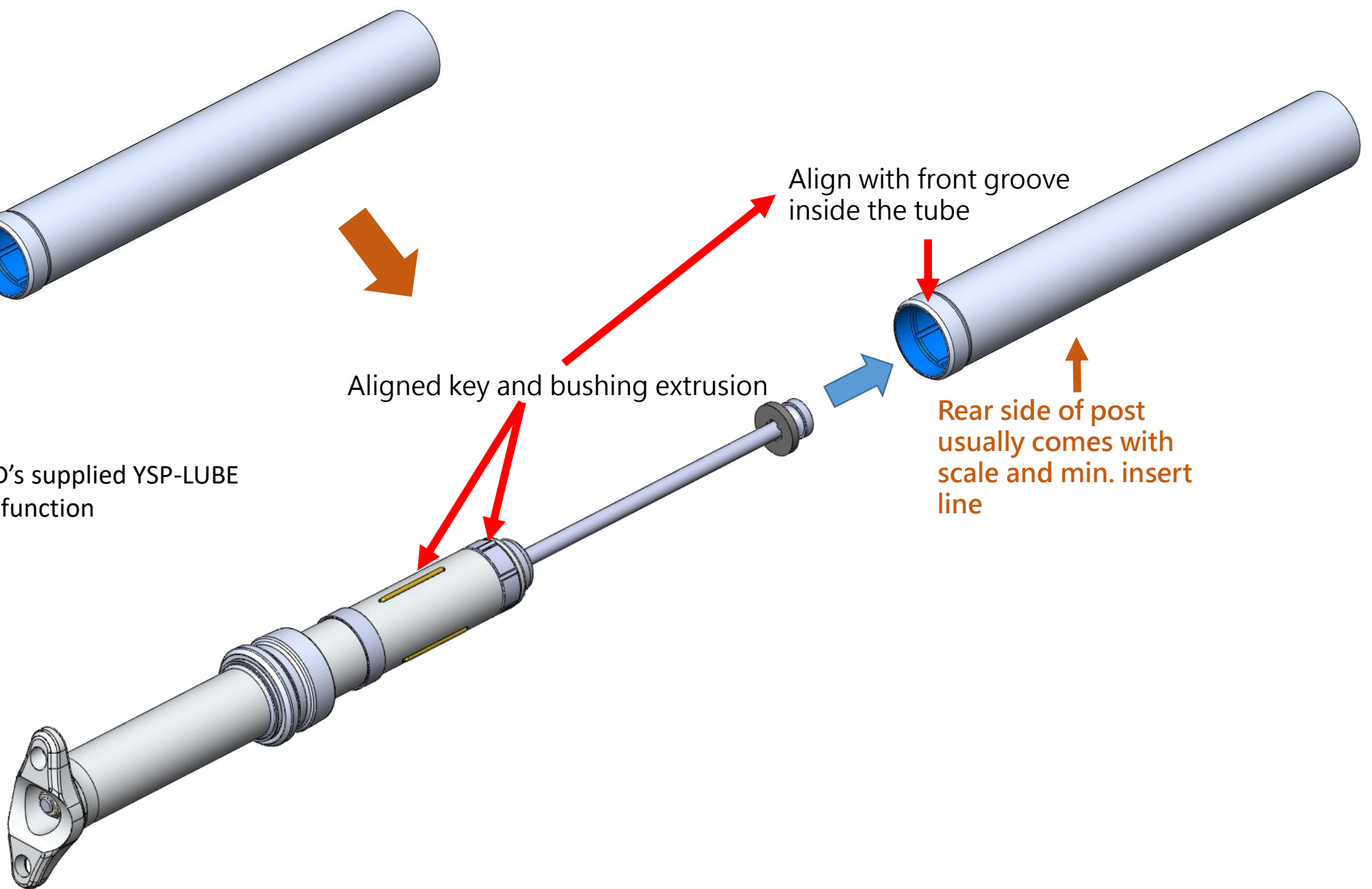
Warning! Use ONLY JD's supplied YSP-LUBE Lubricant for optimal function

# Step 5



YSP-LUBE

Warning! Use ONLY JD's supplied YSP-LUBE Lubricant for optimal function



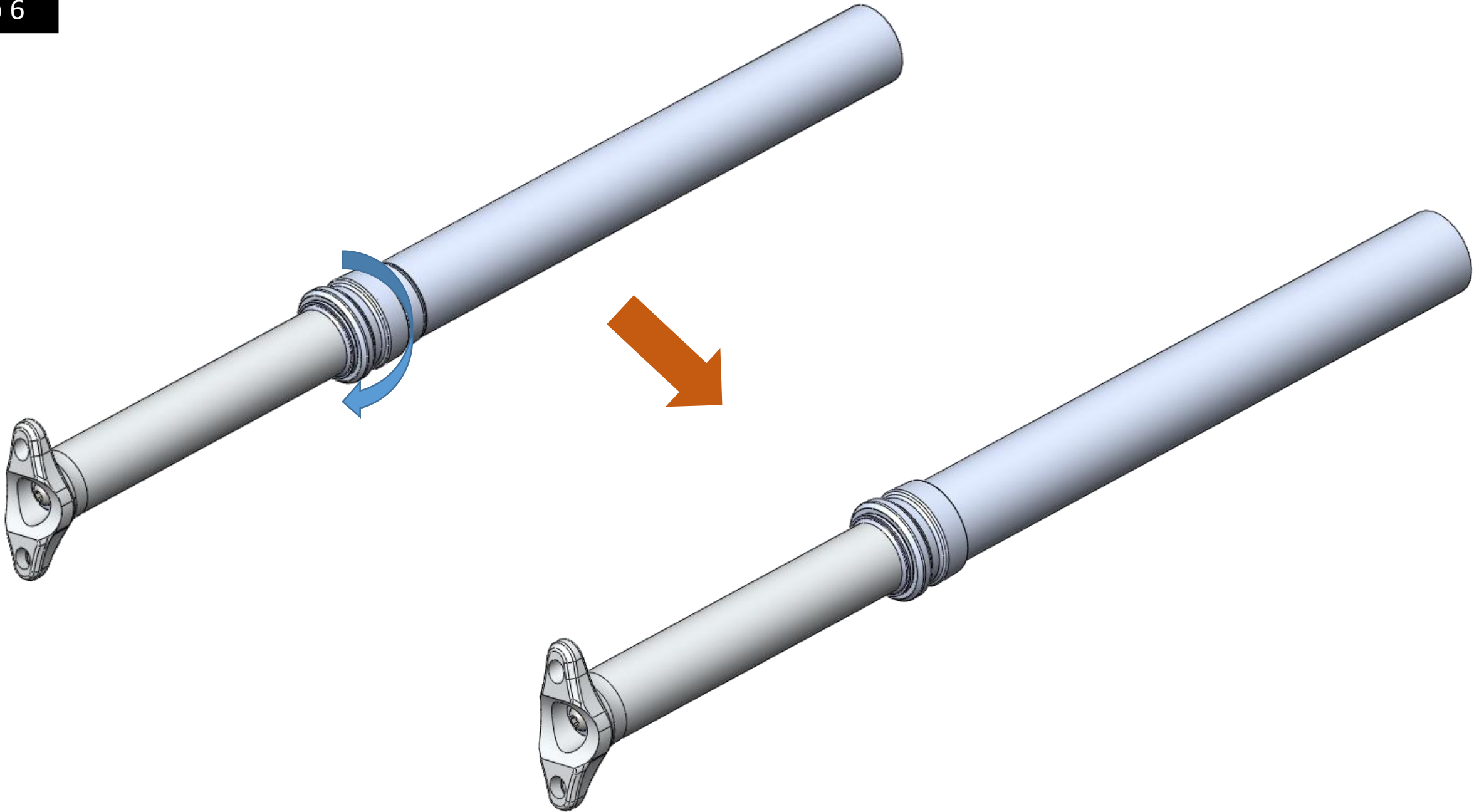
Align with front groove inside the tube

Aligned key and bushing extrusion

Rear side of post usually comes with scale and min. insert line

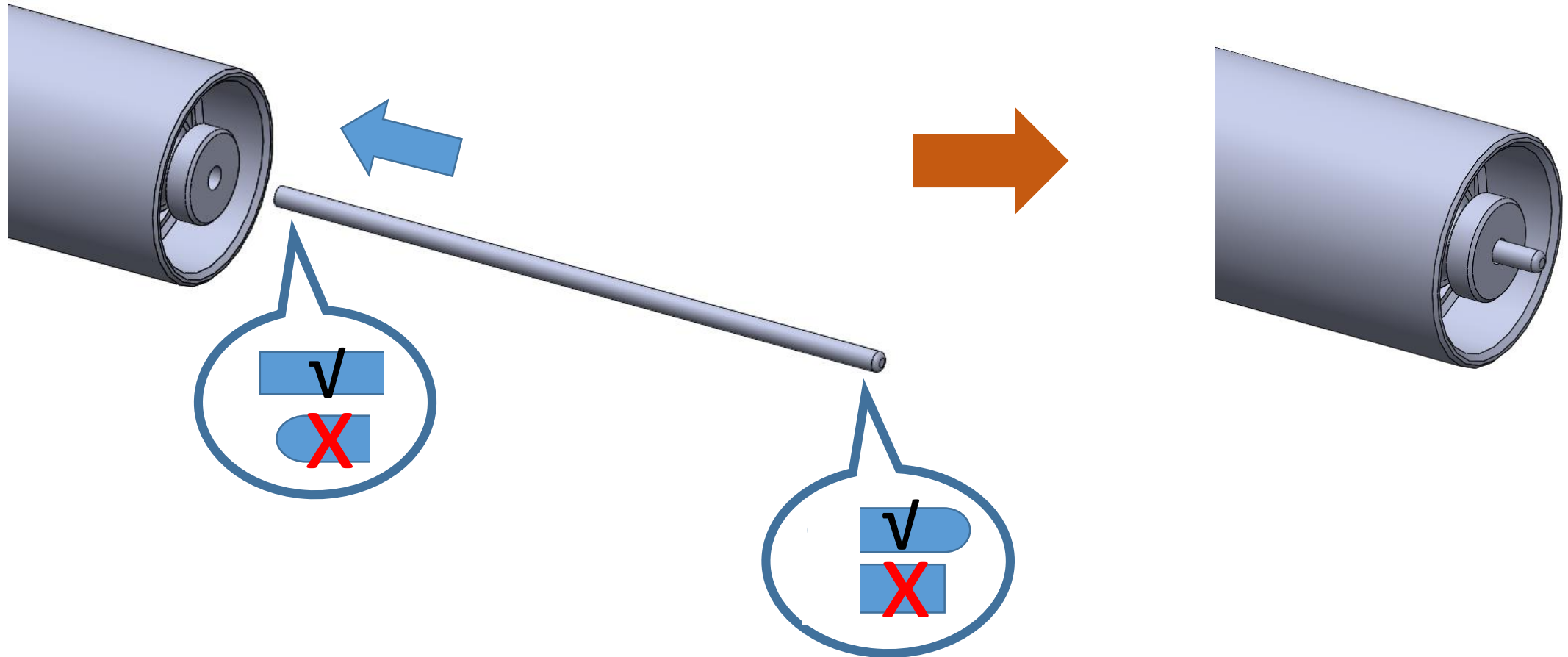


Step 6

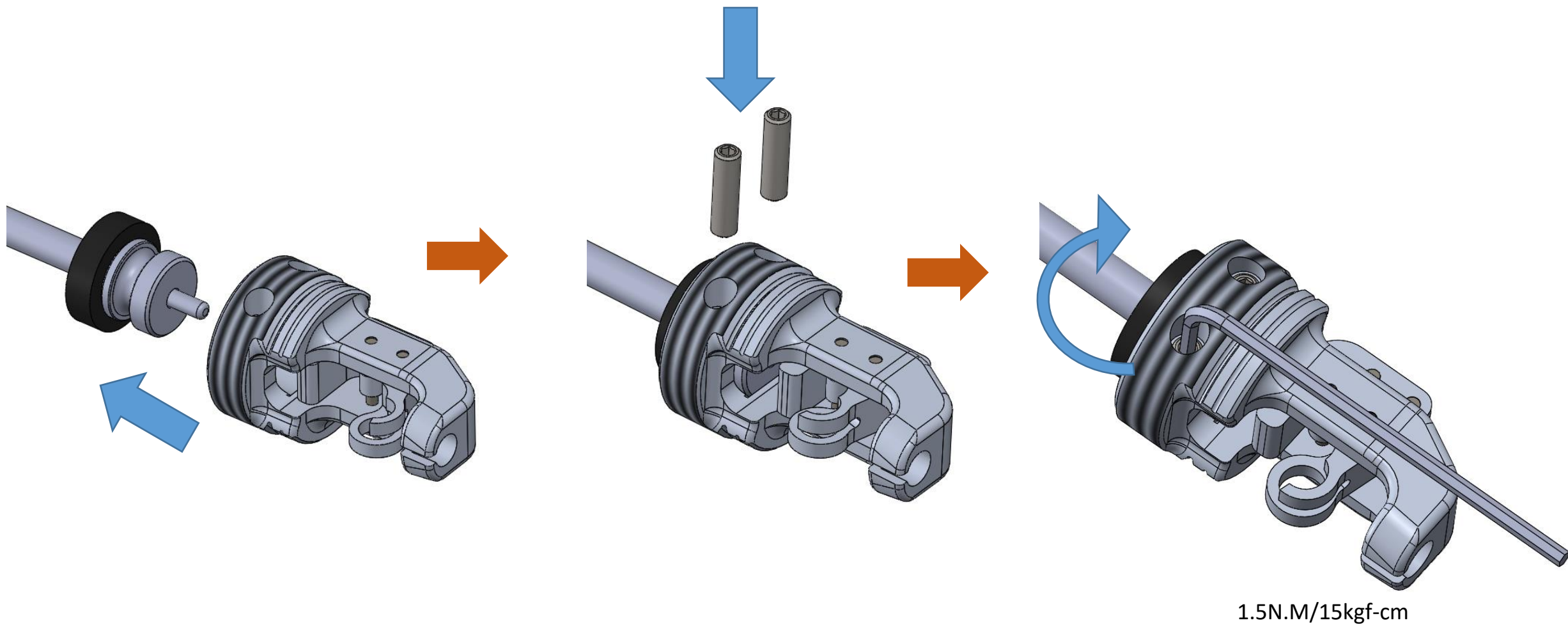




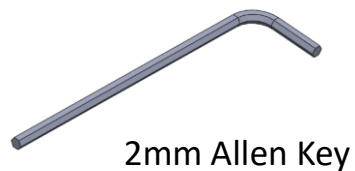
Step 7



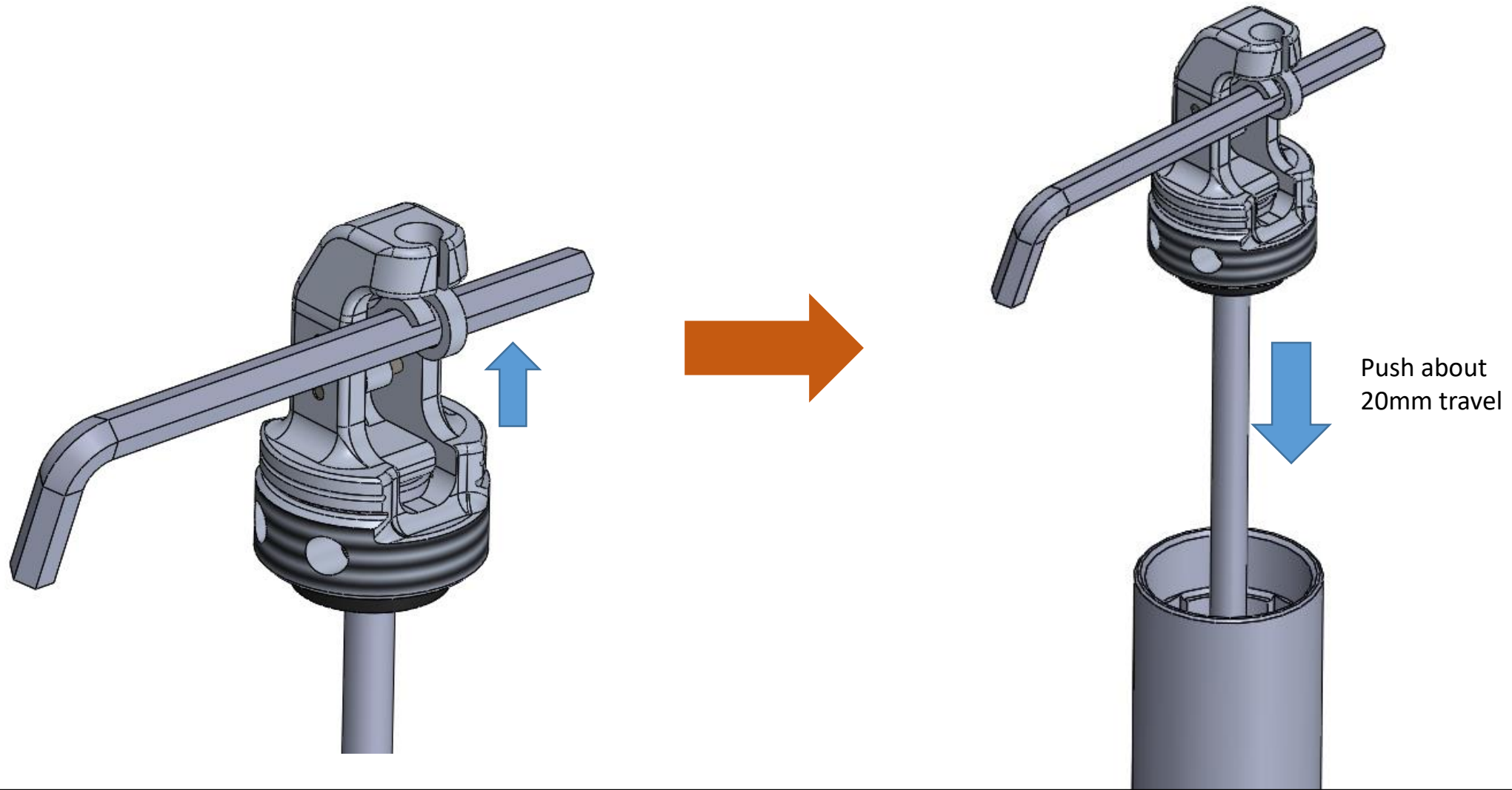
Step 8



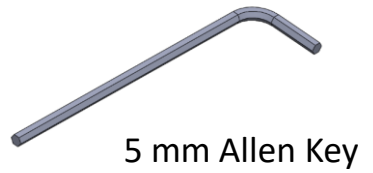
Tools:



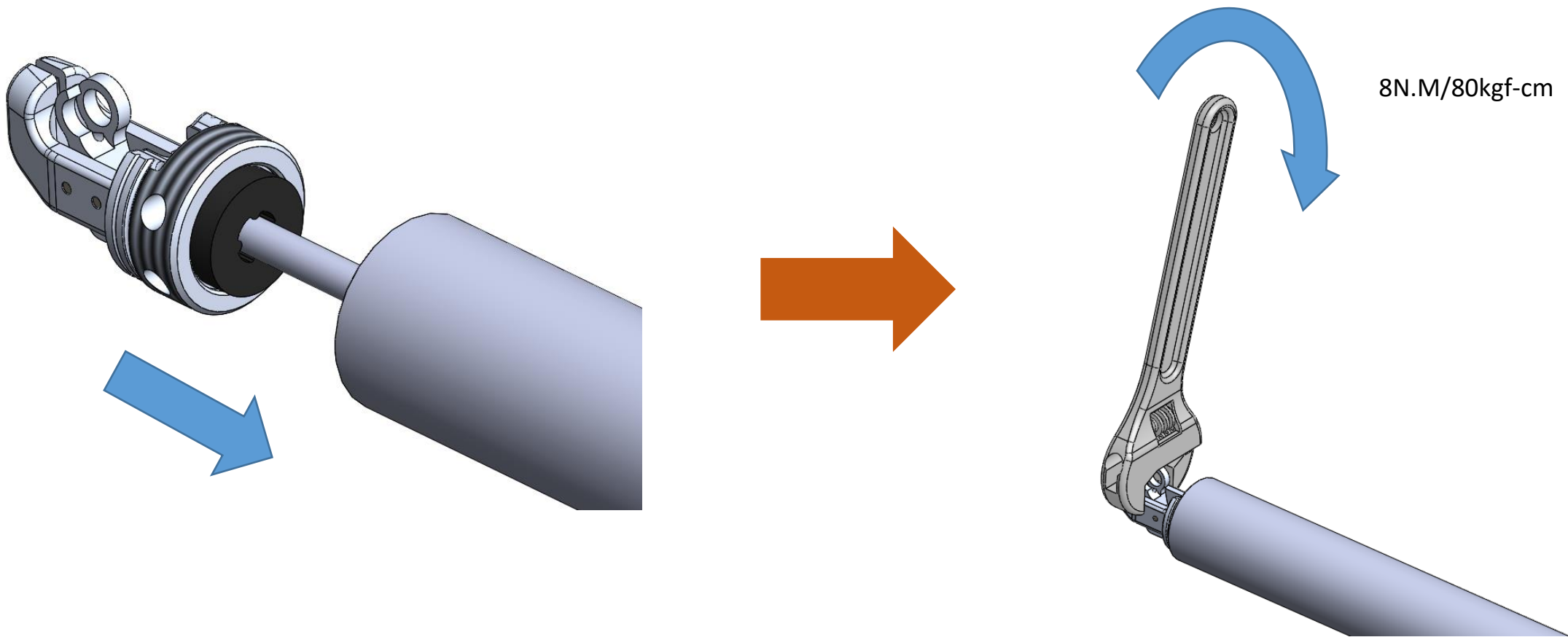
Step 9



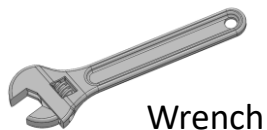
Tools:



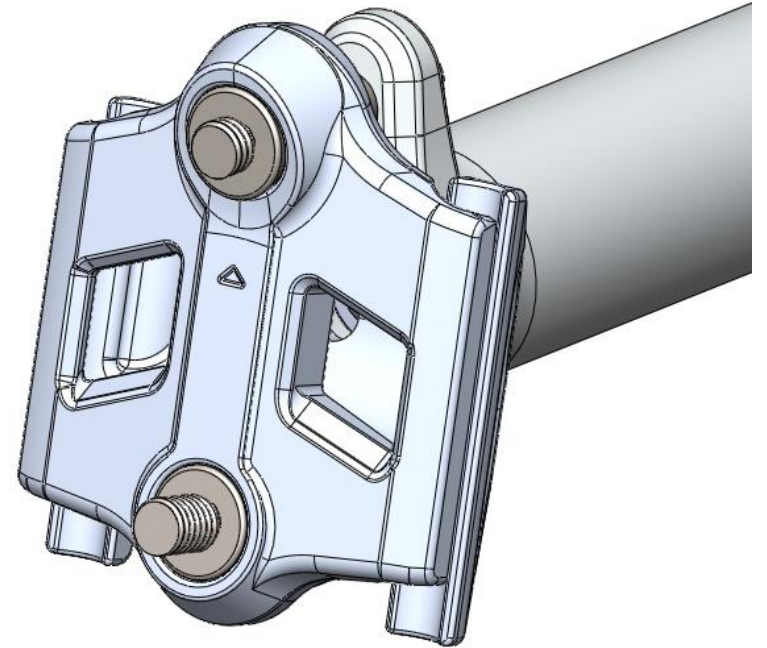
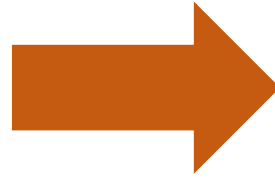
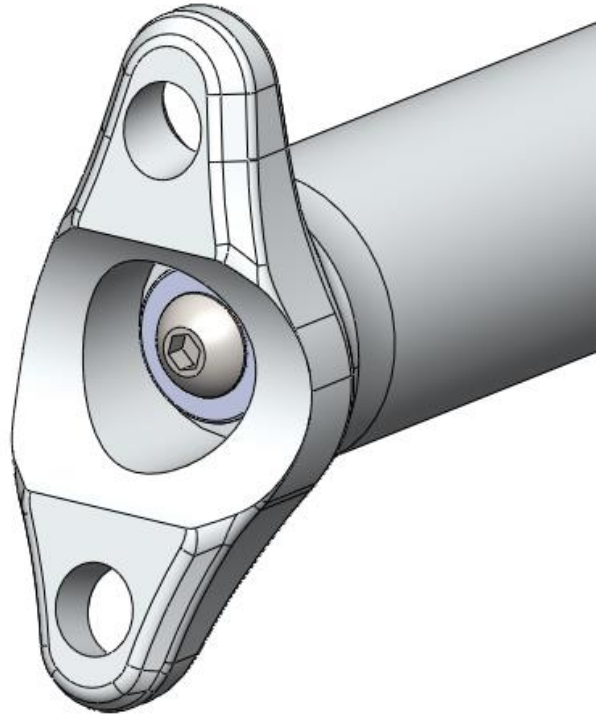
Step 10



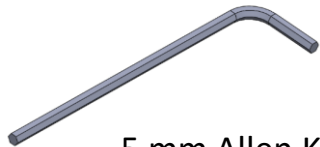
Tools:



Step 11



Tools:



5 mm Allen Key