



**WHYTE**  
PERFORMANCE BY DESIGN

[www.whyte.bike](http://www.whyte.bike) 

### **MTB Hardtail Range**

**Youth 26er Trail Hardtail - 400 Series - 100mm**

**Sports Hardtail - 600 Series - 120mm**

**Trail Hardtail - 800 Series - 120mm**

**Trail Hardtail 29er - 120mm**

**Trail/Enduro Hardtail - 900 Series - 130mm**

**Supplementary Service Manual 2019 Edition 1**



## **Table of Contents**

1.0    Introduction

2.0    Geometry

3.0    Preparations for riding:

- 3.1    Making Adjustments
- 3.2    Whyte Getta-Grip Seat Clamp
- 3.3    Whyte Inter-grip 2 Seat Clamp
- 3.4    Set up of Fork
- 3.5    Suspension Tuning Log

4.0    Safety

5.0    Lubrication:

- 5.1    Whyte Getta-Grip Seat Clamp
- 5.2    Whyte Inter-grip 2 Seat Clamp
- 5.3    General Whyte Lubrication

6.0    Servicing:

- 6.1    Whyte Getta-Grip Seat Clamp
- 6.2    Whyte Inter-grip 2 Seat Clamp

7.0    Torque Settings

8.0    Owners' Notes

# **WHYTE Service Manual**

## **1.0: INTRODUCTION**

Thanks for choosing to purchase this Whyte product. We hope you will enjoy all the benefits its advanced design and engineering will bring to your riding experience.

This manual will guide you through the set-up, safety and maintenance procedures that are specific to your Whyte bike. For other more general information, we strongly advise that you also read thoroughly the General Instruction Manual that is supplied with your new bike.

Please note that the specification of all the components that are fitted to your bike as standard may be obtained from the Whyte Bikes Brochure or alternatively from the Whyte Bikes website **[www.whyte.bike](http://www.whyte.bike)**

Please remember, if you are in any doubt about your ability to safely service or repair your Whyte bike, do not ride it and instead arrange for a professional bicycle mechanic at your local Whyte dealer to do the job correctly.

Bundled with this manual are the respective manufacturers instructions and manuals for the branded parts that are fitted to your Whyte bike. Please take time to study all the relevant instruction manuals to ensure you have a continually safe and well set-up bike before every ride, and to help you build up a relationship of knowledge between you and your Whyte Dealer.

Happy and safe riding,

*Whyte design team*

## **2.0: GEOMETRY**

The geometry of the hardtail range of Whyte Bikes is available from the Whyte Bikes website **[www.whyte.bike](http://www.whyte.bike)**

# WHYTE Service Manual

## 3.0: PREPARATIONS FOR RIDING

### 3.1: MAKING ADJUSTMENTS

Please refer to the specific component manufacturer's manual or published technical information about adjusting the components on your Whyte bike. Instructions may be downloaded from the relevant manufacturer's internet site, as shown in the table to the right.



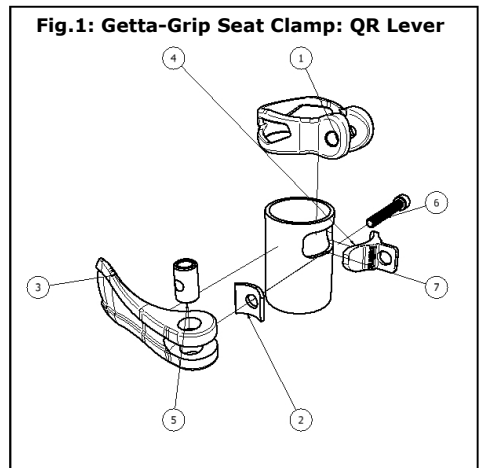
**CAUTION!** If you are uncertain in any way, about making adjustments to any components on your Whyte bike, then **DO NOT RIDE YOUR BIKE**. Contact your Whyte dealer who will be able to advise you on how to go about setting up your Whyte for riding, and or making adjustments to the components fitted to your bike.

DT Swiss	<a href="http://www.dtswiss.com">www.dtswiss.com</a>
FSA	<a href="http://www.fullspeedahead.com">www.fullspeedahead.com</a>
Formula	<a href="http://www.formulahubs.com">www.formulahubs.com</a>
Fox	<a href="http://www.ridefix.com">www.ridefix.com</a>
Hope	<a href="http://www.hopetech.com">www.hopetech.com</a>
Jalco	<a href="http://www.maddux-wheels.com">www.maddux-wheels.com</a>
KS	<a href="http://www.kssuspension.com">www.kssuspension.com</a>
Maxxis	<a href="http://www.maxxis.com">www.maxxis.com</a>
Race Face	<a href="http://www.raceface.com">www.raceface.com</a>
Shimano	<a href="http://www.shimano.com">www.shimano.com</a>
SR Suntour	<a href="http://www.srsuntour-cycling.com">www.srsuntour-cycling.com</a>
SRAM	<a href="http://www.sram.com">www.sram.com</a>
Trans - X	<a href="http://www.tranzx.com">www.tranzx.com</a>
VP	<a href="http://www.vpcomponents.com">www.vpcomponents.com</a>
WTB	<a href="http://www.wtb.com">www.wtb.com</a>

### 3.2: WHYTE GETTA-GRIP SEAT CLAMP ADJUSTMENT

The Getta Grip seat clamp design is a patented design which allows adjustment of the saddle height by the use of a Quick Release (QR) Lever.

Item	Description
1	Whyte Seat Clamp Band
2	Metal Shim
3	Whyte QR Lever
4	T-Pad
5	QR Lever Cam
6	QR M5 Adjuster Bolt
7	Whyte Main Frame




## WHYTE Service Manual

### Quick Release Lever Type: Fig.2

Tools: 4mm allen key.

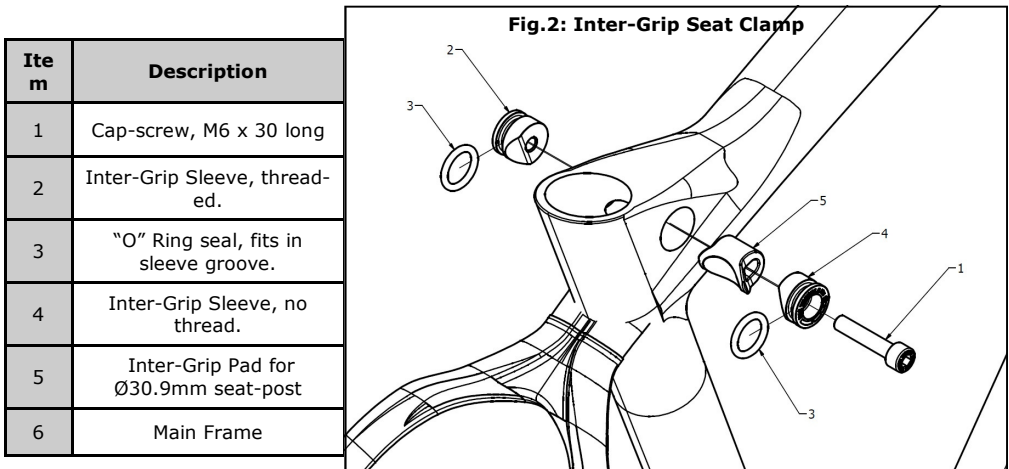
(Note, refer to the seat-pin manufacturers instructions in conjunction with these notes).

To Adjust the seat height with the QR Lever assembly fitted, simply undo the QR Lever (3) from the Closed position to the Open position. Next adjust the height of the Seat Post to the desired level, and close the QR lever (3) from the Open position to the Closed position. The QR closing force can be adjusted and optimised by turning the QR M5 Adjuster Bolt (6) clockwise or anti-clockwise with the use of a 4mm allen key before closing the QR Lever (3).

 **CAUTION!** When adjusting the saddle height you **MUST** obey the Minimum insertion depth requirement marked on the Seat Post.

### 3.3: WHYTE INTER-GRIP SEAT CLAMP ADJUSTMENT

The Inter Grip 2 seat clamp design is present on several models of Whyte bikes. It allows adjustment of the saddle height & direction.



**Fig.2: Inter-Grip Seat Clamp**

Tools Required: 5mm AF Allen Keys (2 off, 1 fitted to a 3Nm to 15Nm Torque Wrench)



**CAUTION! Avoid over-tightening the seat clamp.**

In particular, "dropper" seat-posts such as SRAM Reverb may not work correctly if the seat

## WHYTE Service Manual

*clamp is over tightened.*

Figure 3. To adjust the seat height and/or direction, using the 5mm Allen key, undo the M6 Capscrew (1) just enough to allow the Seat Post to slide freely up and down. Set the height and/or direction to the desired level. Re-tighten the M6 Capscrew (1) with the 5mm Allen Key in the Torque Wrench to the 14Nm limit, as marked on the Plain Sleeve (4).

If a "dropper" seat-post is fitted, simultaneously depress the activation trigger and press down on the saddle to compress the seat-post until it is fully down. Then release the activation trigger and the seat-post should rise up automatically. If this does not happen, gradually loosen the M6 Capscrew (1) with the 5mm Allen Key below the 14Nm limit, until the seat-post rises automatically. Then firmly twist the saddle to confirm the seat-post is still securely gripped by the lowered torque value that allows the "dropper" seat-post to function correctly.



**CAUTION!** When adjusting the saddle height you **MUST** obey the Minimum insertion depth requirement marked on the Seat Post (6). Also consult the seat-post manufacturers instructions in conjunction with these notes.

### **3.4: SET UP OF FORK**

*Tools Required:*      *Good Quality Shock Pump.*  
                                 *Small Ruler*

The front suspension fork fitted to your Whyte bike will be pre-set with the standard settings. Before riding, you may need to adjust these setting. First is the Sag setting on the fork. This is to ensure the forks are set-up correctly for your own body weight, so the fork will perform as intended.

To set Sag on the front fork, you need to measure the amount the fork compresses when you sit on the bike in the normal riding position. See the table on the right for our recommendation of front fork sag on your Whyte bike. To achieve this you will need to adjust the air spring pressure inside the fork.

Fork Travel	Sag (15% - Firm)	Sag (25% - Plush)
100mm	15mm	25mm
130mm	19.5mm	32.5mm

Refer to the specification tables in this manual, and then to the relevant fork manufacturers set up instructions to find how to adjust the air spring pressure in the fork. Using a shock pump, either add or remove air until Sag is correctly set.

Please note that for the detailed instructions for servicing and all matters relating to the forks fitted to your Whyte bike, please refer to the manufacturers instructions.

#### Rebound Damping adjustment:

This adjustment fine-tunes the speed at which the wheel returns to its normal ride height after hitting a bump. Refer to the relevant manufacturers instructions to find out how to adjust the rebound damping. To demonstrate the effect of this function, turn the adjuster to its slowest setting. Press down on the handlebars to compress the forks, then release the load. The suspension recovers very slowly to its original position.

Repeat the above with the adjuster turned to the fastest setting and the difference will be seen

## WHYTE Service Manual

immediately the load is released. We recommend the optimum setting is to adjust the re-bound damping to be as slow as possible, but not so slow that the normal ride height is not recovered. On very rough terrain, if the bike becomes progressively lower as more bumps are hit then the re-bound damping is set too slow. On the other hand if the bike feels choppy and not plush then the re-bound damping is too fast. A bit of trial and error is needed to get the exact setting.

### 3.5: SUSPENSION TUNING LOG

Record your best suspension settings in the table below, to restore them if necessary, eg. after dealer servicing of the suspension or if a friend has borrowed your bike.

Date	Rider Weight (including all riding kit) (kg or lbs)	Fork Pressure (bar or P.S.I)	Fork Rebound Damping (# of clicks from softest setting)	Shock Pressure (bar or P.S.I)	Shock Rebound Damping (# of clicks from softest setting)

### 4.0: SAFETY

**IMPORTANT:** The following are intended to be advisory notes on the safe use of your Whyte bike. You should also read thoroughly the General Instruction Manual supplied with your new bike. If at any stage you are uncertain about the safety or safe operation of the bike as a whole, or any specific component, then **DO NOT RIDE YOUR WHYTE** and instead please consult the specific component manufacturers instruction manual or your Whyte Dealer for advice.

#### **Maximum Rider Weight Limit for Whyte Hardtail MTB Series':**

19 Stone/120kg



**WARNING:** As is the case with all mechanical components, the bicycle is subjected to wear and high stresses. Different materials and components may react to wear and stress fatigue in different ways. If the design life of a component has been exceeded, it may fail suddenly causing possible injury to the rider. Any form of crack, scratches and decolouring in high stress areas are showing that the component has exhausted its life time and has to be replaced. If you are in any doubt about one or more components on your Whyte **DO NOT RIDE YOUR BIKE**. Consult the specific component manufacturers literature, or take your bike to your local Whyte Dealer.

#### **Designed for the following use:**

All bicycles in the Whyte Hardtail MTB series' have all been designed, tested and comply with ISO 4210-2 Safety Standard, for typical cross country mountain biking use. They have not been designed or tested for extreme down-hilling or free-riding.



# WHYTE Service Manual

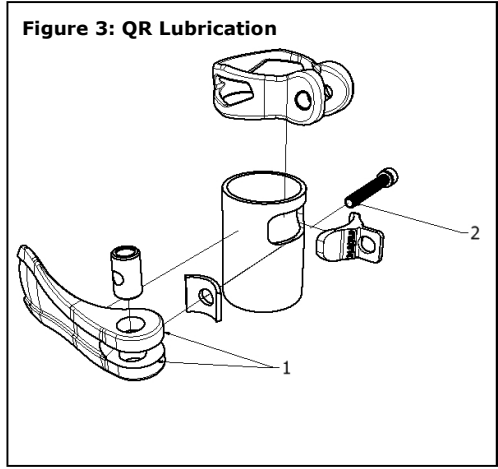
## 5.0: LUBRICATION

Please refer to the Whyte General Instruction Manual for guidance about lubricating many of the components on your Whyte bicycle.

For the range of bicycles contained in this Supplementary Service Manual, there is also the following specific guidance:

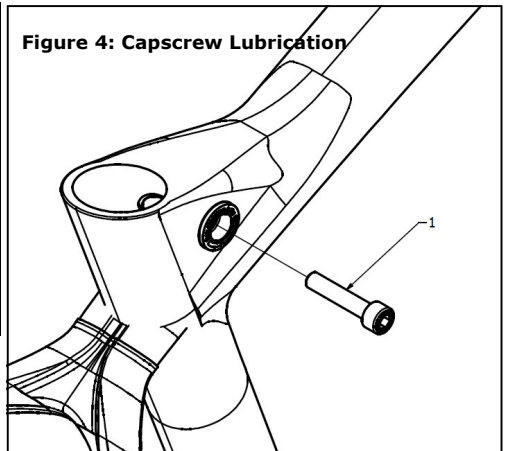
### 5.1: WHYTE GETTA-GRIP SEAT CLAMP Quick Release Style. Figure 3

Point	Description	Lubricant	Lubrication Interval
1	Lever Cam Surface	Castrol LM or equivalent	After Every Ride
2	M6 Shaft	Castrol LM or equivalent	Once a Month



### 5.2: WHYTE INTER-GRIP 2 SEAT CLAMP

Point	Description	Lubricant	Lubrication Interval
1	M6 x 30mm Capscrew threads	SKF LGEP2 or Castrol Spheerol AP3 or Finish Line Teflon White Lithium Complex grease	Once a Month



## WHYTE Service Manual

### **5.3: GENERAL WHYTE LUBRICATION**

For the correct lubrication regime and maintenance of all parts on a Whyte bicycle, please refer to the specific component manufacturers detailed instructions bundled with this manual or for further information visit the specific manufacturers website.

## **6.0 SERVICING:**

### **6.1 Whyte Getta-Grip Seat Clamp**

Reference figure 2 in Section 3.2.

*Tools required: 1 off 2mm A/F Allen Key*

To disassemble, first release the Quick Release (QR) Lever (3) and unscrew the Adjuster (7) from the Stud (8). Withdraw the QR Lever assembly whilst holding the T-Pad (9) in place, so that it doesn't fall into the seat tube (5). Remove the Band (6) from the Seat Tube (5). Remove the T-Pad (9) from the Seat Tube (5). To disassemble the QR Lever, using the 2mm A/F Allen Key undo the Grub Screw (1) from the Lever Cam (2). The Stud (8) may now be unscrewed from the Lever Cam (2).

### **6.2 Whyte Inter-grip 2 Seat Clamp**

Reference figure 3 in Section 3.3.

*Tools required: 1 off 5mm Allen Key,  
1 off small flat-blade screwdriver*

Undo the M6 Cap-screw (1) by 7 turns, then push it into the Plain Sleeve (4), so that the Threaded Sleeve (2) is pushed out of the opposite end (left side of) the Main Frame (5). Undo the M6 Cap-screw (1) completely from the Threaded Sleeve (2) and then pull that Sleeve out of the assembly completely. Place the M6 x 30mm long Cap-screw (1) through the hole in the left side of the Main Frame (5) & onto the Plain Sleeve (4). Then push the Plain Sleeve (4) all the way out of the right side of the Main Frame (5).

The 'O' rings (3) may be removed from the Threaded Sleeve (2) and the Plain Sleeve (4), using the small size flat-blade screwdriver.

To re-assemble the Inter Grip seat clamp, coat the 'O' rings (3) with a small quantity of grease. Carefully fit the 'O' rings (3) into the grooves in the Threaded Sleeve (4) and the Plain Sleeve (2). Also place some grease onto the threaded end of the M6 Cap-screw (1). Place the Grip Pad (5) into the hole in the Main Frame (6) such that the curved face is towards the seat tube in the Main Frame (6). Insert the Seat Post (not shown) to help align the Grip Pad (4). From the left side of the Main Frame (6), insert the Plain Sleeve (2) and make sure the 45° angled edge on the Plain Sleeve (2) touches the 45° angled edge on the Pad (5). Move to the right side of the Main Frame (6) and insert the Threaded Sleeve (4), aligning the 45° angled edge to touch the 45° angled edge on the Grip Pad (5). Place the M6 Capscrew (1) through the Threaded Sleeve (4), the Pad (5) & screw into the Threaded Sleeve (4).

Note: Both of the Sleeves (2 & 4) should be nearly flush with the edge of the hole in the Main Frame (5) when the assembly goes tight. If this is not the case, one or other of the

## **WHYTE Service Manual**

curved edges are not engaging properly, so re-align as necessary to make sure both of the Sleeves (2 & 4) are nearly flush to the side of the Main Frame (5). Then follow the instructions in section 3.3 to set the height and direction of the Seat Post (not shown).

### **7.0: TORQUE SETTINGS**

*Torque explained: If no suitable Torque Wrench is available a Torque of 5 lbf.ft can be obtained by applying a force of 5lb, with a Spring Balance, to the end of a spanner, 1 Foot in length.*

Description	Torque (Nm)	Torque (lbf.ft)
Getta Grip M4 Grub-screw	1.9 (Min) - 2.1 (Max)	1.4 (Min) - 1.55 (Max)
Inter-Grip M6 Cap Screw	12 (Min) - 14 (Max)	8.9 (Min) - 10.3 (Max)

**IMPORTANT:** For all other torque settings, refer to the specific manufacturers information bundled with this manual, or alternatively, refer to the specific manufacturers website for further information.

### **8.0: OWNER'S NOTES**

[www.whyte.bike](http://www.whyte.bike)

