

PLA(V)60-UNL
 PLA(V)60-UNLP(-GB)
 PLA(V)60

PLA Series Articulating Wall Arm

For 37" to 95" Displays

The PLA60 offers a single solution for displays up to 95" in a wide range of installations including lobbies, hotel rooms, boardrooms, public displays or home theaters. Its all-steel construction enables it to hold screens up to 175lb, while its self-lubricating bushings enable the arms to smoothly articulate and position your display for optimal viewing. Combined with adjustable tilt and pivot capabilities, the PLA60 is the only wall arm you need.



FEATURES

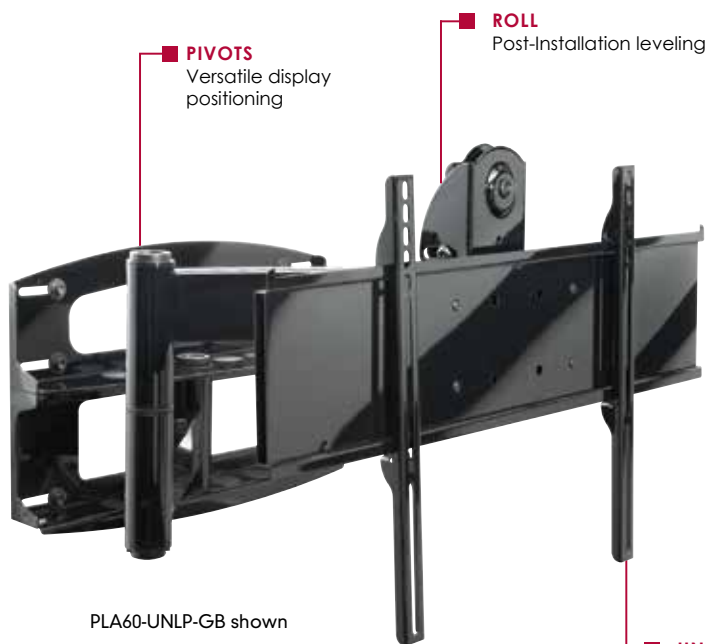
- Arm extends up to 32.37" (822mm) from wall
- Three pivot points with up to 180° swivel for versatile display positioning
- +10/-5° of tilt
- ±7° of roll for post installation display leveling
- ±1" (24mm) vertical adjustment located within reach behind display with PLAV60 models
- Universal models adapt to displays with mounting hole patterns up to 730 x 433mm (28.75"W x 17.05"H)
- Includes mesh cord sheath and cable ties to neatly manage cables
- Five horizontal arm positions at 2.6" (66mm) centers for flexible lateral display placement



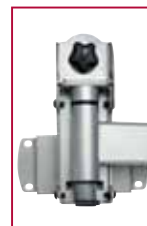
Display size: 37"-95"



Max load: 175lb (79kg)



PLA60-UNLP-GB shown



±1" (24mm) vertical adjustment located within reach behind display with PLAV60 models



Includes mesh cord sheath and cable ties to neatly manage cables



PLA60-UNL/PLAV60-UNL: Patented. Utility Patent No. 8,517,322.
 PLA60: Patented. Utility Patent No. 7,513,469.

CLICK: peerless-av.com

CALL: 800.865.2112

FAX: 800.359.6500



PLA60-UNL	Universal Articulating Wall Arm for 37" to 95" Displays (security models)
PLAV60-UNL	Universal Articulating Wall Arm with Verical Adustment for 37" to 95" Displays (security models)
PLA60-UNLP(-GB)	Universal Articulating Wall Arm for 37" to 95" Displays (standard models)
PLAV60-UNLP(-GB)	Universal Articulating Wall Arm with Verical Adustment for 37" to 95" Displays (standard models)
PLA60	Dedicated* Articulating Wall Arm for 37" to 95" Displays (security models)
PLAV60	Dedicated* Articulating Wall Arm with Verical Adustment for 37" to 95" Displays (security models)

Product Specifications

*Requires display-specific adaptor to be purchased separately.

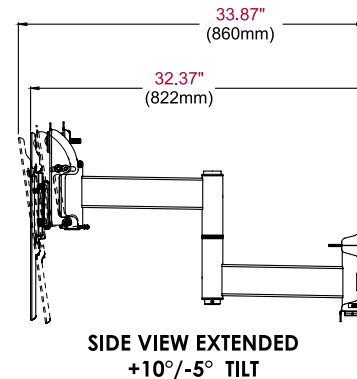
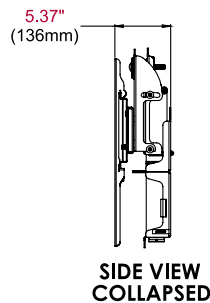
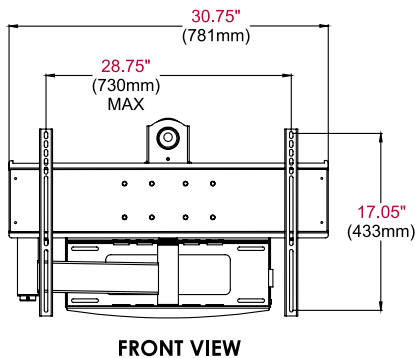
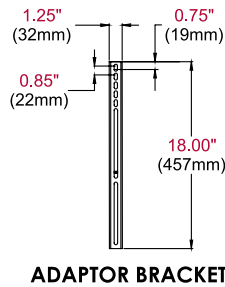
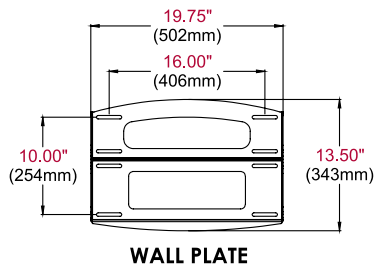
	DIMENSIONS (W x H x D)	PRODUCT WEIGHT	LOAD CAPACITY	FINISH	AVAILABLE COLORS
PLA60-UNL/-UNLP(-GB)	30.75" x 19.10" x 5.37"-32.37" (781 x 486 x 136-822mm)	42.5lb (19.3kg)	175lb (79kg)	Scratch resistant fused epoxy	PLA60-UNL: Black
PLAV60-UNL/-UNLP(-GB)	30.75" x 21.67" x 5.37"-32.37" (781 x 550 x 136-822mm)	44.7lb (20.3kg)			PLAV60-UNL: Black
PLA60	19.75" x 19.12" x 4.50"-31.20" (502 x 486 x 114-792mm)	30lb (13.6kg)			PLA60-UNLP: Black
PLAV60	19.75" x 21.67" x 4.50"-31.20" (502 x 550 x 114-792mm)	32.1lb (14.6kg)			PLAV60-UNLP-GB: Gloss black PLAV60-UNLP-GB: Gloss black PLA60: Black PLAV60: Black

Package Specifications

	PACKAGE SIZE (W x H x D)	PACKAGE SHIP WEIGHT	PACKAGE UPC CODE	PACKAGE CONTENTS	UNITS IN PACKAGE
PLA60-UNL/-UNLP(-GB)	31.5" x 17.1" x 9.1" (800 x 434 x 231mm)	48.5lb (22kg)	PLA60-UNL: 735029243274	PLA60-UNL/-UNLP(-GB) / PLAV60-UNL/-UNLP(-GB); Articulating arm, wall plate, mesh cord sheath, cable ties, universal adaptor plate, mounting and display attachment hardware	1
PLAV60-UNL/-UNLP(-GB)	31.5" x 17.1" x 9.1" (800 x 434 x 231mm)	50.6lb (22.9kg)	PLAV60-UNL: 735029243311		
PLA60	23.1" x 17.1" x 7.4" (587 x 434 x 188mm)	34.1lb (15.4kg)	PLA60-UNLP: 735029243298		
PLAV60	23.1" x 17.1" x 7.4" (587 x 434 x 188mm)	36.2lb (16.4kg)	PLA60-UNLP-GB: 735029247098	PLA60/ PLAV60: Articulating arm, wall plate, mesh cord sheath, cable ties and mounting hardware	
			PLAV60-UNLP-GB: 735029247111		
			PLA60: 735029243205		
			PLAV60: 735029243212		

Accessories

- WSP716:** Metal Stud Wall Plate (Triple stud on 16" centers)
- WSP724:** Metal Stud Wall Plate (Triple stud on 16"-24" centers)



All dimensions = inch (mm)

ARCHITECTS SPECIFICATIONS

The Articulating Wall Arm shall be Peerless-AV PLA(V)60/PLA(V)60-UNL/PLA(V)60-UNLP(-GB) models and shall be located where indicated on the plans. It shall be constructed of heavy gauge cold rolled steel with 10° adjustable forward and 5° backward tilt. It shall feature +/-7 degrees of roll. The finish shall be scratch resistant Black or Gloss Black Fused Epoxy. Assembly and installation shall be done according to instructions provided by the manufacturer.

Peerless Industries, Inc. ■ 2300 White Oak Circle ■ Aurora, IL 60502 ■ (800) 865-2112 ■ (630) 375-5100 ■ Fax: (800) 359-6500 ■ peerless-av.com

Visit peerless-av.com to see the complete line of AV solutions from Peerless-AV, including flat panel mounts, projector mounts, carts/stands, furniture, cables, display cleaners and a full assortment of accessories.