



## Assembly Guide

Check out our other products online at [www.copernicused.com](http://www.copernicused.com)

For assistance, please contact us by telephone at **1-800-267-8494** or email at [info@copernicused.com](mailto:info@copernicused.com).

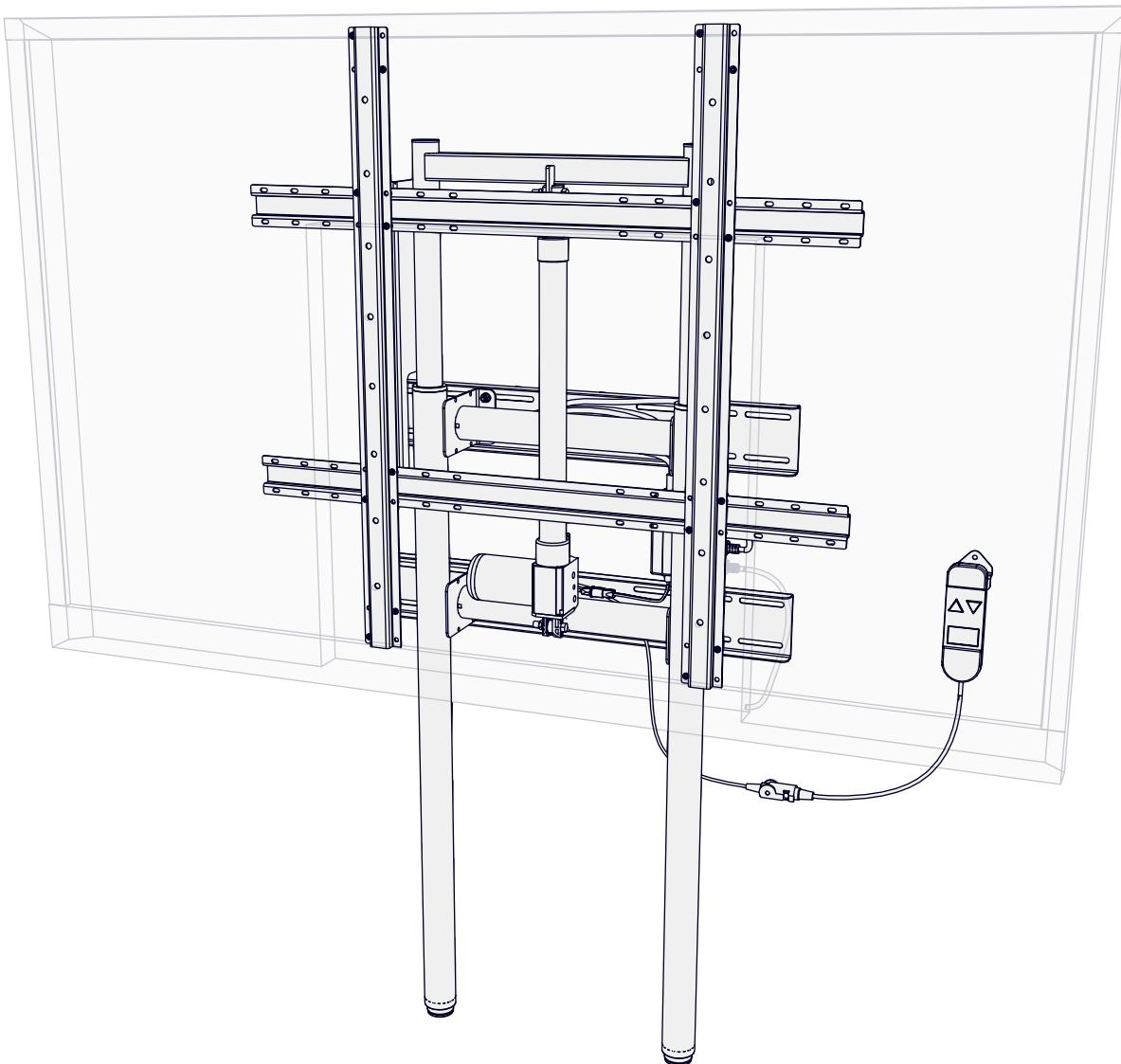
Have your packing slip ready for reference.



### NOTE:

- **Wall mounting hardware is not included.**  
**Installer must supply wall mounting hardware as specified in this guide.**

Shown with 65" Flat Panel (sold separately).  
Shown with HAWM2-SMK accessory.



# Customer Service & Warranty Information

Dear Educator,

Thank you for purchasing the Height Adjustable Wall Mount for Flat Panels. We hope it meets your expectations and you and your students enjoy using it at your school.

Every day we see and hear stories of teachers going above and beyond to help students thrive. Thank you so much for all you do – you are awesome, and you make a difference.

Thank you for inspiring us.

If you have any questions, concerns or ideas on how we can improve please let us know by contacting our Customer Solutions Ninjas at 1-800-267-8494 or [info@copernicused.com](mailto:info@copernicused.com).

Happy teaching,

Kaylyn Belcourt, President  
[kaylyn@copernicused.com](mailto:kaylyn@copernicused.com)



We do not inherit the earth from our ancestors, we borrow it from our children.

- NATIVE AMERICAN PROVERB

Change is the end result of all true learning.

- LEO BUSCAGLIA

What you leave behind is not what is engraved in stone monuments, but what is woven into the lives of others.

- PERICLES

Education is the most powerful weapon which you can use to change the world.

- NELSON MANDELA

## For missing parts and other issues regarding your product:

Please contact Customer Service, where we will be happy to help.  
Telephone: 1-800-267-8494, Monday - Friday 8:00am - 4:30 pm EST  
Email: [info@copernicused.com](mailto:info@copernicused.com)

**Need Support?  
Have a Question?**



Email [Customer Service](mailto:CustomerService)

**Check out some of our  
other great products!**



[www.copernicused.com](http://www.copernicused.com)

## My flat panel isn't working, who should I call?

Please contact the reseller that you bought the product from.  
Reseller information can be found on your packing slip.



### Register your Product

Registering your warranty ensures we have all the information we need to make any future warranty claims quick and easy. Please visit [www.copernicused.com/warranty](http://www.copernicused.com/warranty) and complete the form within 10 business days from product assembly. By registering your product, you will be entered into a draw to win Copernicus product.



### Make a Warranty Claim

We offer a Lifetime Warranty on almost everything we make. Please call **1-800-267-8494** or email [info@copernicused.com](mailto:info@copernicused.com) to start your warranty claim. Proof of purchase will be required upon warranty claim (i.e. copy of invoice).



### Replace your Whiteboard

Have a well-used whiteboard that needs replacing? Our whiteboards carry a five-year warranty and replacement parts program after the warranty period. Please call **1-800-267-8494** or email [info@copernicused.com](mailto:info@copernicused.com) to get a new whiteboard for your Copernicus product!

# Tips for Assembly

## Before You Begin:

- Lay out and identify all of the included parts.
- The hardware has been packed together in one bag.
- Read the assembly guide over once to familiarize yourself with them.

## As You Assemble the Unit:

- Follow the steps in sequence.
- Before beginning each step, find the part(s) that you need for that step.
- The title of each step states what you will be doing. Review the text and the pictures as you build the unit.

## Watch for These Helpful Symbols:



2-Person Task

For safety, please have someone help you when working on steps displaying this symbol.



The symbol denotes a step needing extra attention to ensure it is done correctly.



# Important Information! Warning!

Please read the warnings below for important safety information regarding your product. Failure to read these warnings or to follow the instructions below could result in personal injury or damage to your product that could void your warranty.



### Small Parts

In its unassembled state, this product contains parts that can be hazardous to small children. This product should be assembled by an adult.



### Adult Supervision

This product is to be used under the supervision of an adult.



### No Maintenance

This product does **NOT** require maintenance. Repairs should only be performed by authorized personnel. Please contact customer service if repairs are required.



### Climb Hazard

Do not climb on, hang from or suspend objects from any components of your product unless otherwise specified.



### Indoor Use Only

This product is intended for indoor commercial use only. To reduce the risk of fire or electric shock, do not expose this product to rain or moisture. The internal components are not sealed from the environment.



### Power Strip Specifications

Read your power strip electrical specifications. Only plug in devices that are approved for use with this power strip. Connect the supplied power strip directly to a wall outlet. **Do not connect to another power strip or use an extension cord.** Turn off power strip before unplugging. Unplug when not in use.



### Electronic Equipment

Read the electrical specifications of any electronic equipment you are using with your Copernicus products. Failure to read these specifications and follow their instructions could result in damage to your equipment or personal injury.



### Cable Trip Hazard

Ensure that any cables extending across the floor to your product are properly bundled and marked to avoid tripping or falling which may lead to personal injury.



### Electrical Shock

Do not install or use the electrical components of this unit during a lightning storm.

# Parts: HAWM2

## Before beginning, you should have:

Additional tools required:

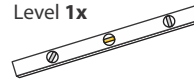
Adjustable Wrench 2x  
Or  
9/16" Wrench 2x



Screwdriver  
+  
Phillips #2



Level 1x

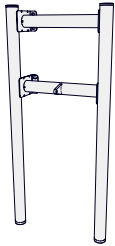


Hammer Drill 1x

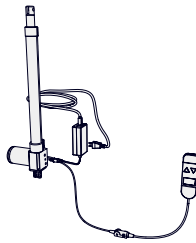


### HAWM2-0

Main Wall Bracket  
(51120)  
1x



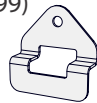
Electric Lift & Remote  
(25525)  
1x



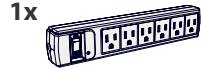
Power Strip  
Mounting Plate  
(32364)  
1x



Remote Hanger  
Bracket  
(34099)  
1x



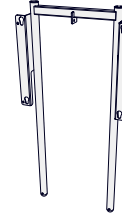
Power Strip  
(255153)  
1x



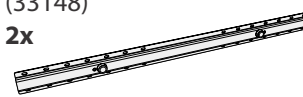
Inside

### IFP500-1

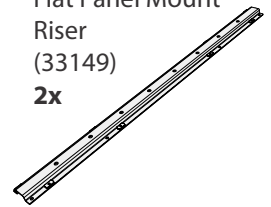
Moving Frame  
(33161)  
1x



Flat Panel Mount  
Stretcher  
(33148)  
2x



Flat Panel Mount  
Riser  
(33149)  
2x



### Hardware Actual Size

**A** 3/8" x 1-3/4" Bolt  
(430204)  
2x



**F** 3/8" Lock Nut  
(430122)  
2x



**J** 1-4" Flat Washer  
(430192)  
8x



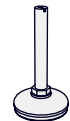
**B** 1/4" x 3/4" Self Tapping Screw  
(4300510)  
4x



**G** 5/16" Lock Washer  
(43025)  
4x



Levelling Foot  
(not to scale)  
(42107)  
2x



**C** #6-32 x 3/8" Screw  
(4301352)  
4x



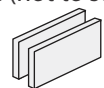
**D** #10-24 x 1/2" Self  
Tapping Screw  
(4302012)  
8x



**H** 1/4" Lock Washer  
(43010)  
8x



Hook & Loop Tape (not to scale)  
(43322 / 43323)  
3x / 3x



**E** #6-32 Keps Nut  
(430154)  
4x



**I** #10-24" Lock Washer  
(4301002)  
8x



Hook & Loop Straps  
(not to scale)  
(433211)  
3x



**K** M6 x 15mm VESA Screw  
4x  
(432151)



**L** M6 x 20mm VESA Screw  
4x  
(43222)



**M** M8 x 15mm VESA Screw  
4x  
(432764)



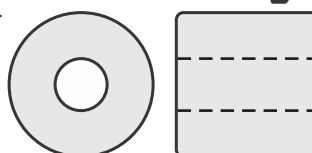
**N** M8 x 25mm VESA Screw  
4x  
(432765)



**O** M8 x 40mm  
4x  
(432762)



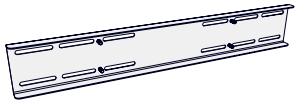
**P** 3/4" Spacer  
4x  
(4303141)



# Parts: HAWM2-SMK


**HAWM2-SMK**

Wood Stud Mounting Bracket (32362)  
**2x**

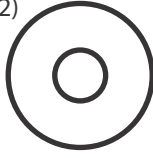


**Inside**

Q 1/2" Lock Nut (430101)  
**8x**



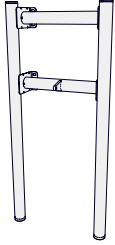
J 1-4" Flat Washer (430192)  
**8x**




# Parts: HAWM2-CK

**HAWM2-CK**

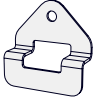
Main Wall Bracket (51120)  
**1x**



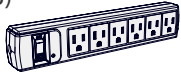
Power Strip Mounting Plate (32364)  
**1x**



Remote Hanger Bracket (34099)  
**1x**




Power Strip (255153)  
**1x**




**Hardware**  
Actual Size


C #6-32 x 3/8" Screw (4301352)  
**4x**



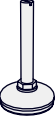
E #6-32 Keps Nut (430154)  
**4x**



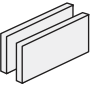
J 1-4" Flat Washer (430192)  
**8x**




Levelling Foot (not to scale) (42107)  
**2x**



Hook & Loop Tape (not to scale) (43322 / 43323)  
**3x / 3x**



Hook & Loop Straps (not to scale) (433211)  
**3x**



**Inside**

# Additional Hardware Required (not included)

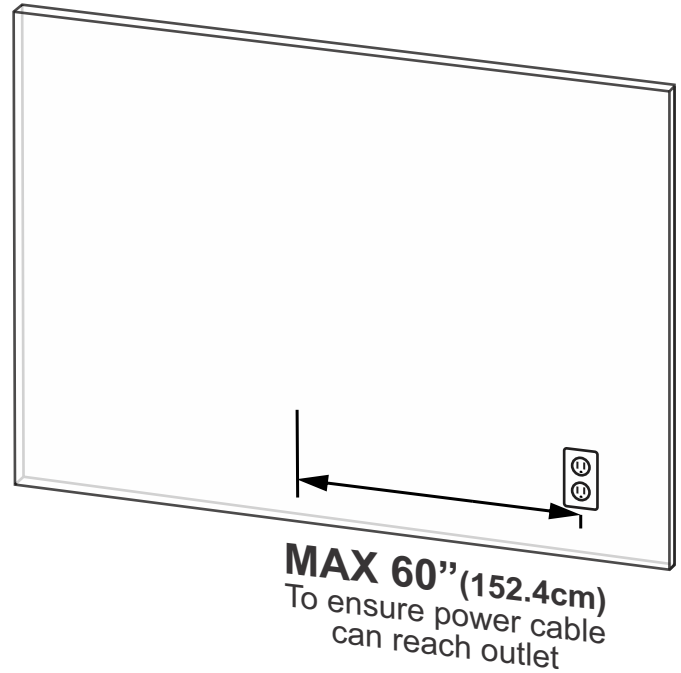
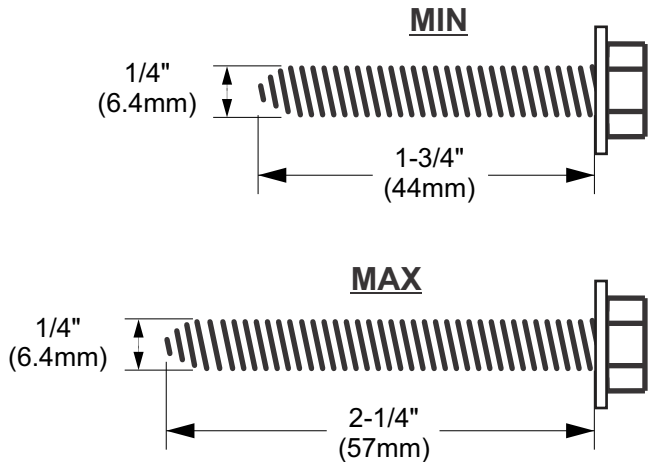
## Masonry Wall Installation

Minimum specifications (per fastener):

Masonry Screws 8x

Shear: 200lbs (91kg)

Tension: 150lbs (68kg)



OR

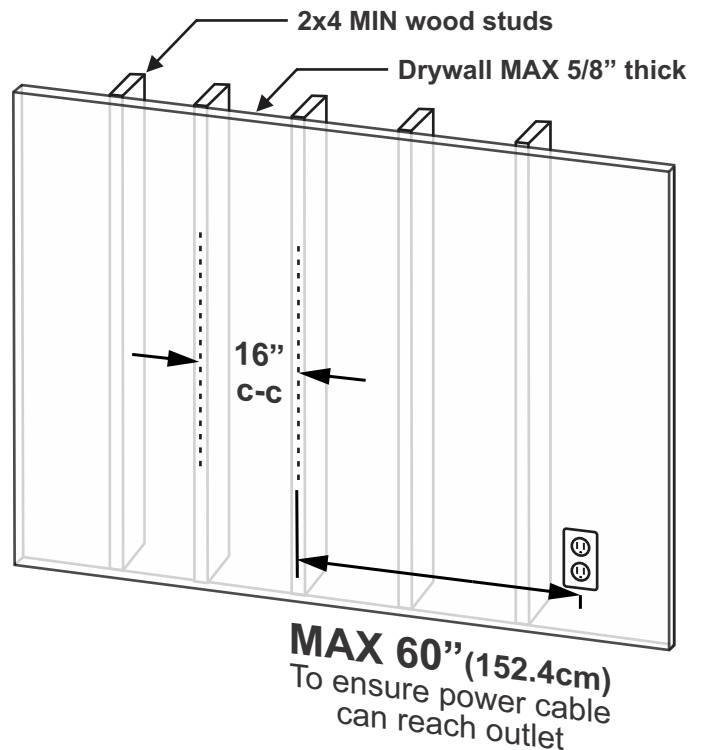
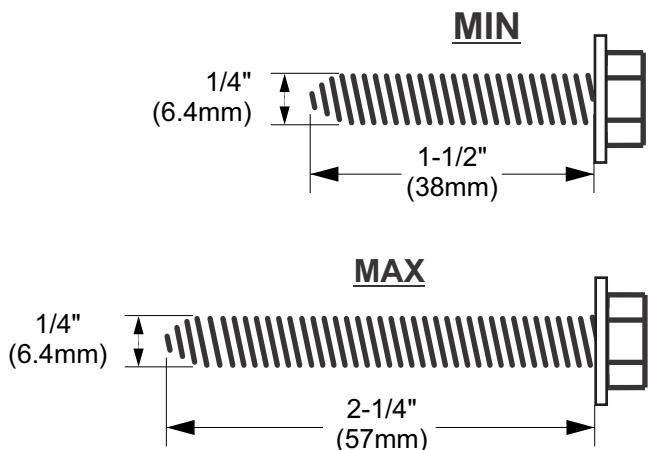
## Wood Stud Wall Installation (HAWM2-SMK required)

Minimum specifications (per fastener):

Lag Screws 8x

Shear: 200lbs (91kg)

Tension: 150lbs (68kg)





If you are converting an IFP cart to a wall mount by using the conversion kit HAMW2-CK, follow these steps first. If you are installing a new, complete HAWM2 wall mount, skip to page 9

CK-1



2-Person Task

You Will Need: (Actual Size)



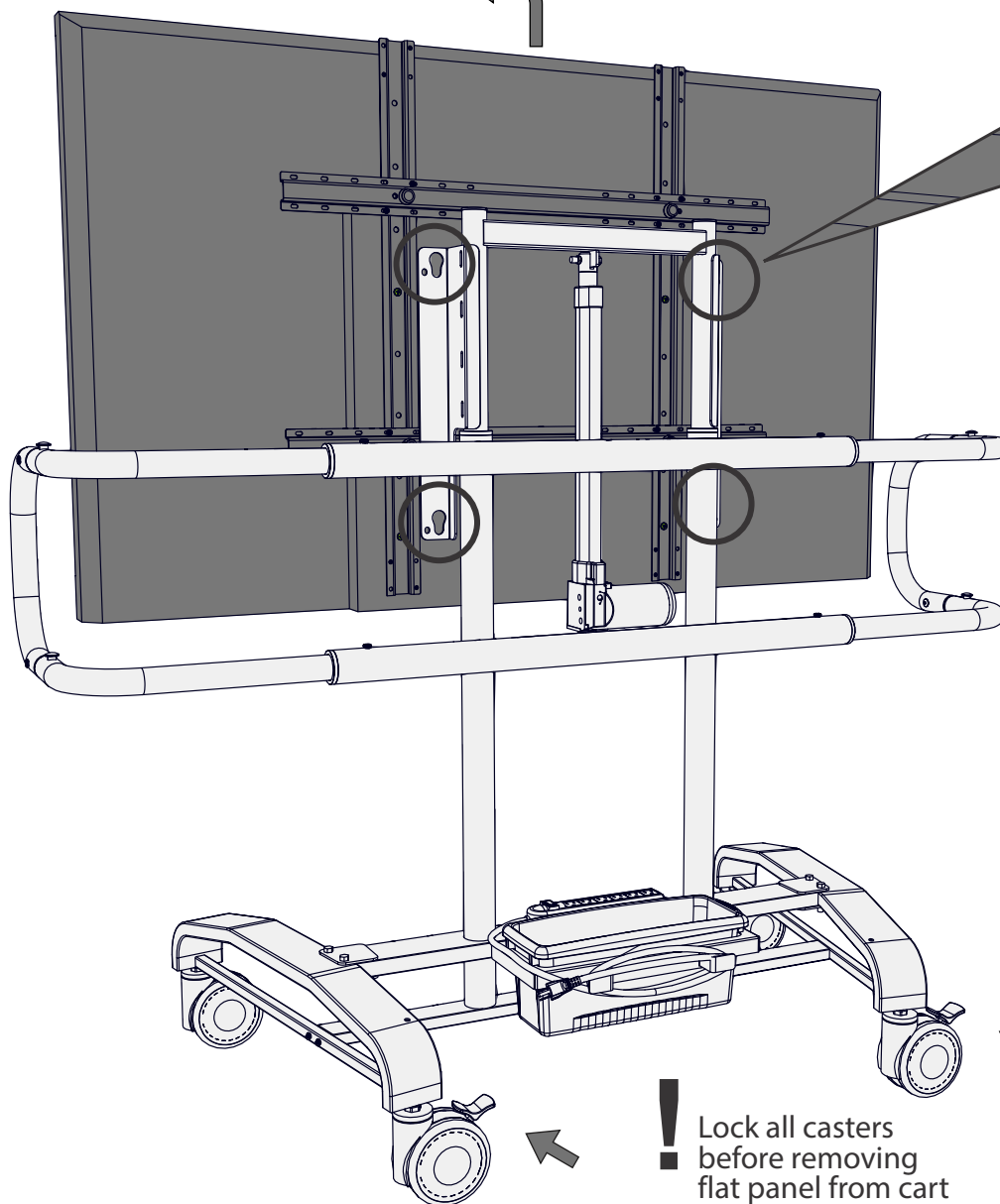
You will need: (Not to Scale)

Screwdriver

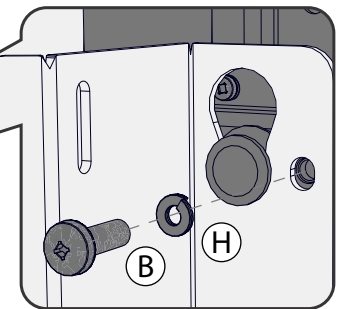


## Remove Safety Screws and Flat Panel From Cart

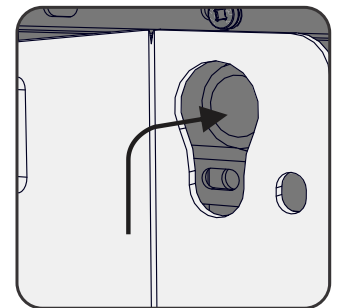
! Save the hardware and set flat panel aside in a safe place, you will need it later for Step 12



1 Remove all 4 Safety Screws



2 Lift up and pull out all 4 adapters from keyholes



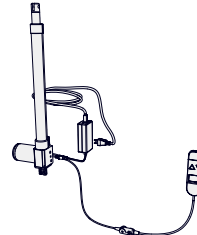
! Lock all casters before removing flat panel from cart

## CK-2

You Will Need: (Actual Size)



You will need: (Not to Scale)



Electric Lift & Remote  
1x

Adjustable wrench (2x)

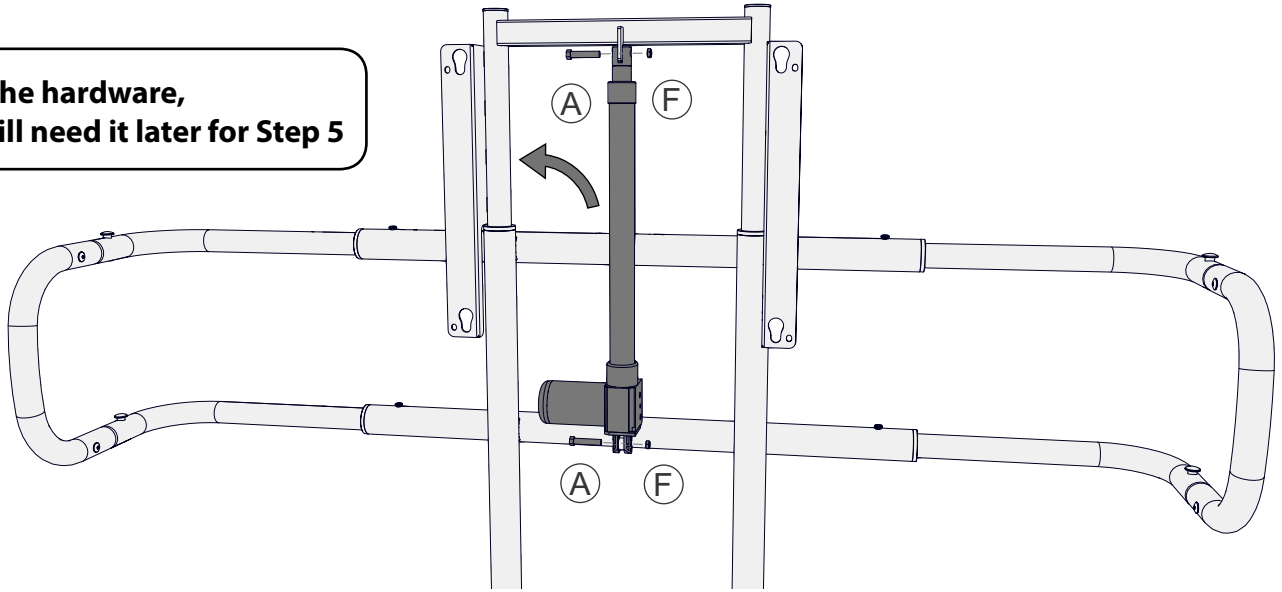


**OR**

9/16" Wrench (2x)

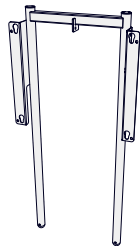
### Remove Electric lift

**!** Save the hardware,  
you will need it later for Step 5



## CK-3

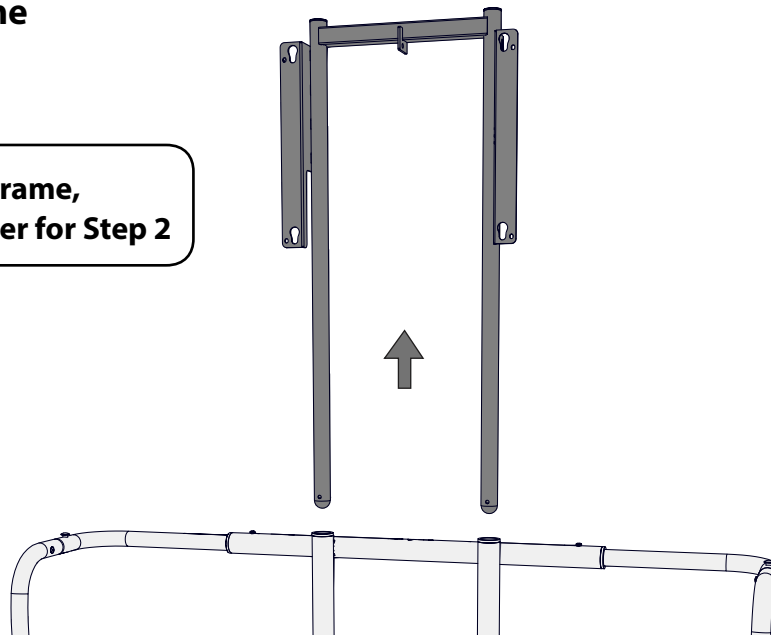
You will need: (Not to Scale)



Moving Frame  
1x

### Remove Moving Frame

**!** Save the Moving Frame,  
you will need it later for Step 2





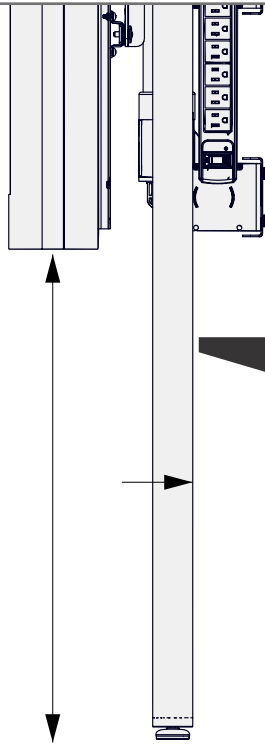


## Note For Installation

### **WARNING:**

The bottom edge of the flat panel must be 20" (50.8cm) or more off the floor when the HAWM is in the fully lowered position!

You can install the flat panel higher up on the mount if needed. (See Step 10)

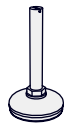


### **WARNING:**

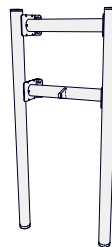
Do not mount the HAWM over a marker ledge that is deeper than 3-3/8" (86mm).

1

You will need: (Not to Scale)

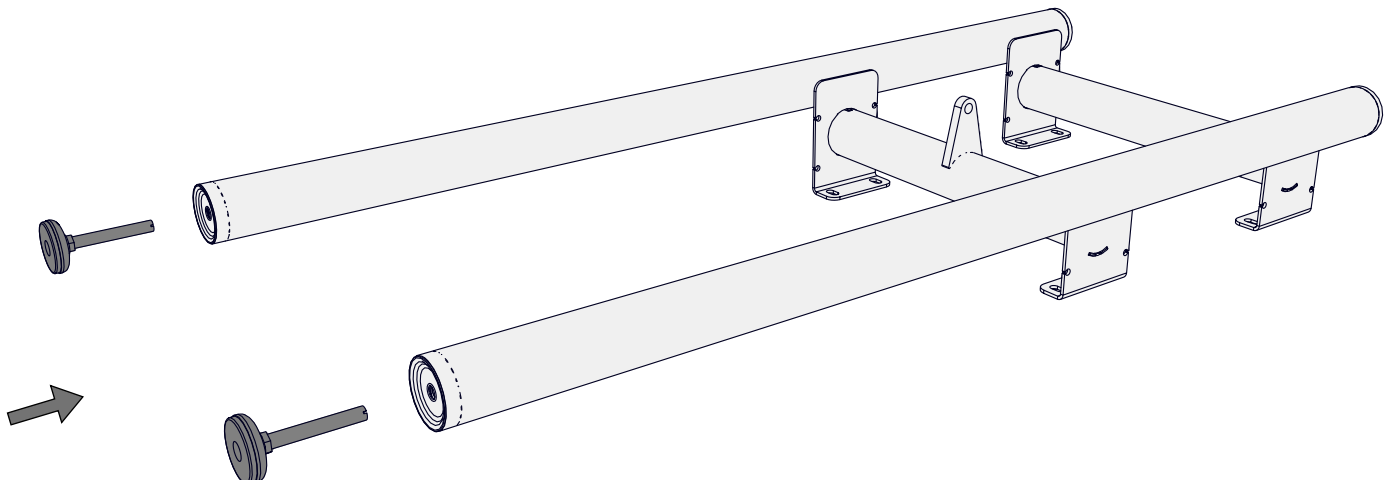


Levelling Feet  
2x



Main Wall Bracket  
1x

### Install Levelling Feet

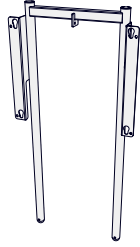


2

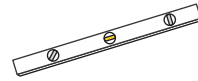
You will need: (Not to Scale)



2-Person Task



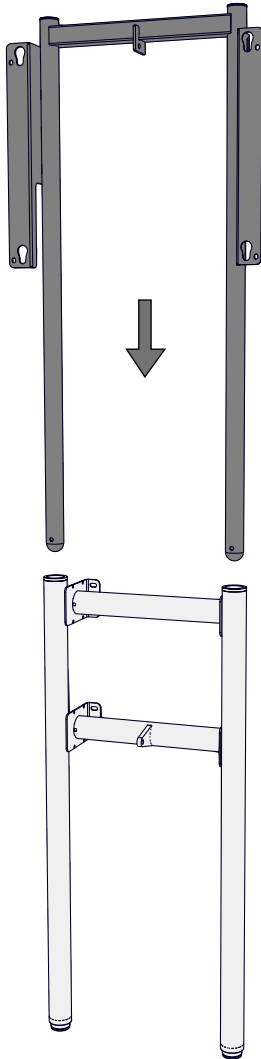
Moving Frame  
1x



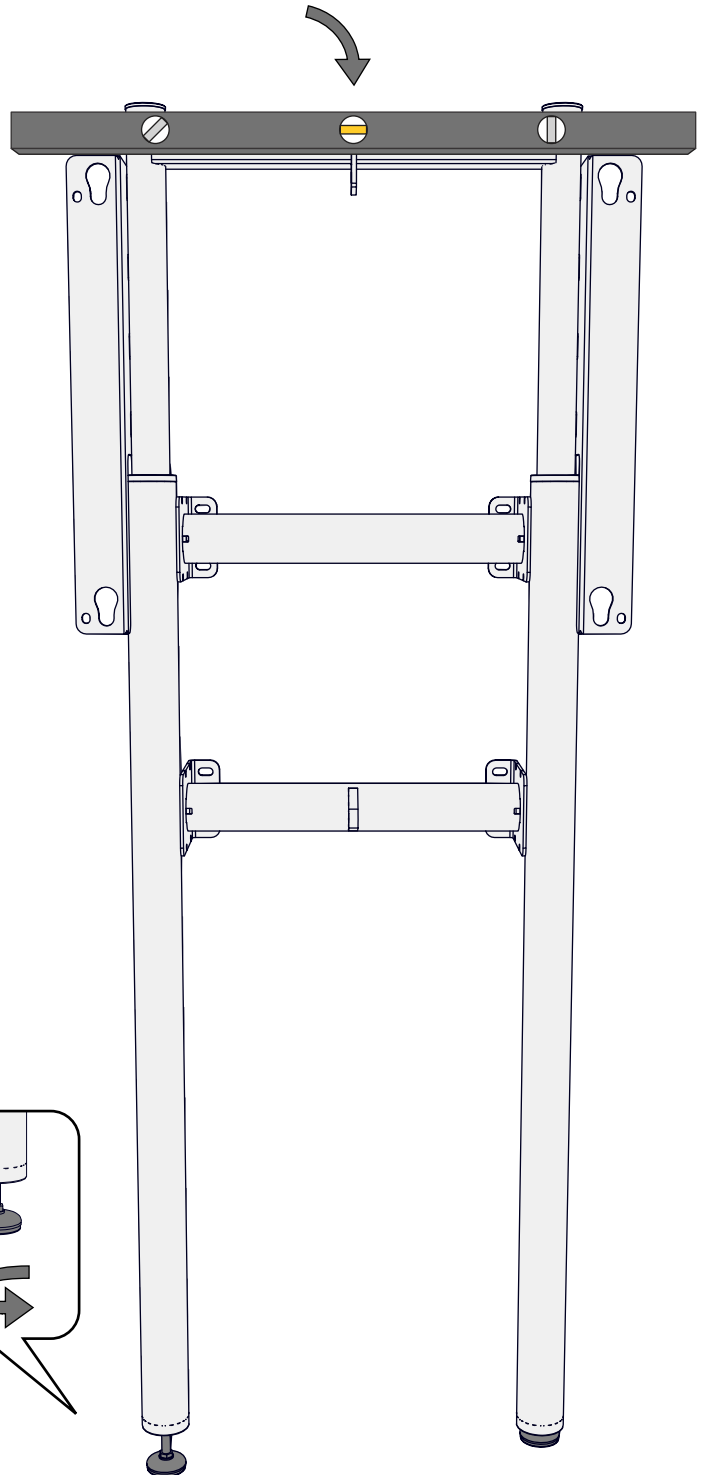
Level  
1x

### Level Moving Frame Before Installing On Wall

1



2



**!** Position against wall in the location where the mount will be installed

3

Actual Size:



You will need: (Not to Scale)



Hammer Drill  
1x

### Masonry Wall Installation: Pre-drill Holes Into Wall and Secure with Fasteners

- ! Use hardware recommended for your wall type.
  - See Page 6 for recommended hardware.
  - Use the supplied flat washers.
- FASTENERS ARE NOT INCLUDED.**



**...For Wood Stud Wall Installation go to Step 4**

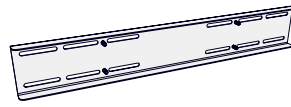


4

Actual Size:



You will need: (Not to Scale)



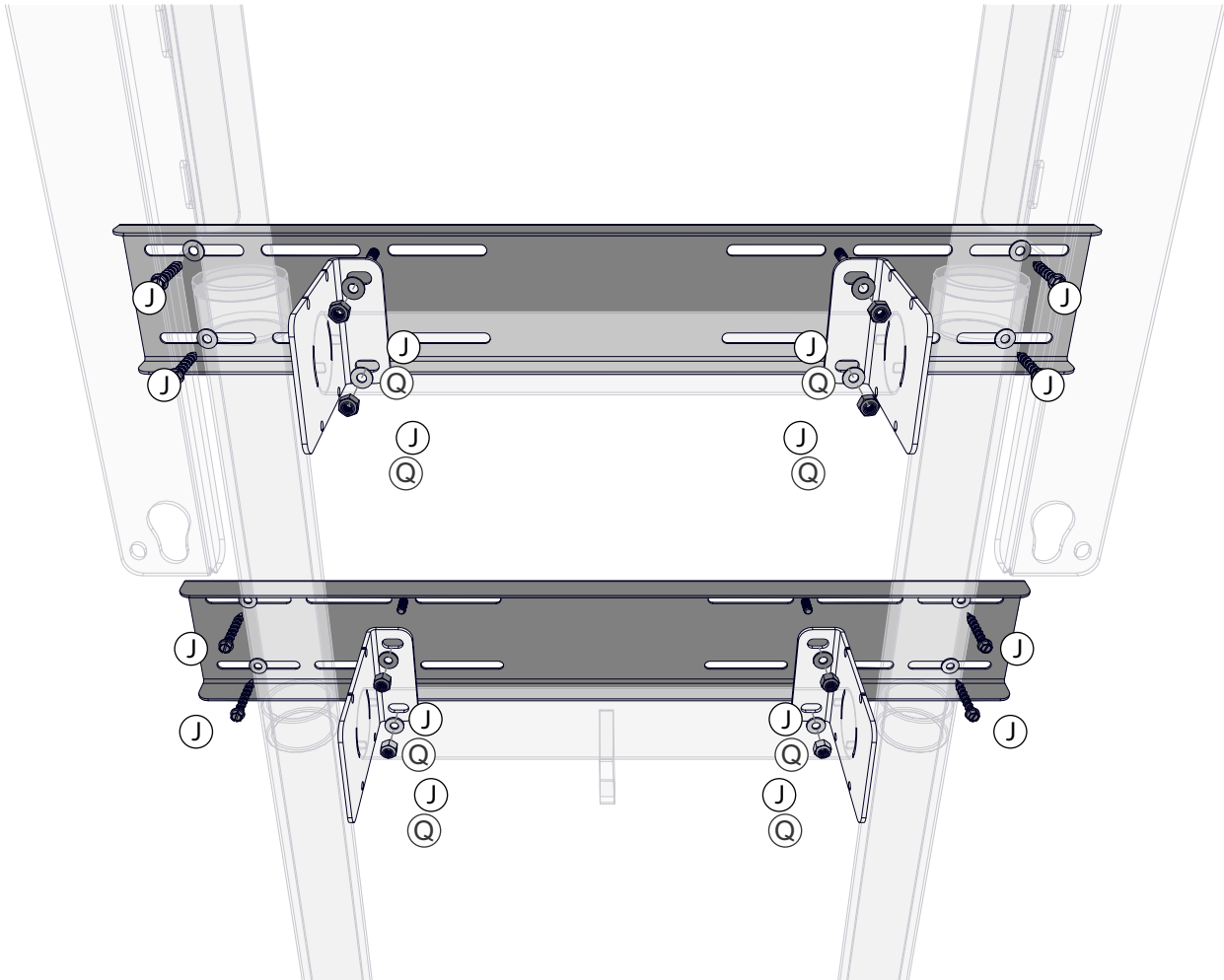
Wood Stud Mounting Bracket  
2x



Hammer Drill  
1x

### Wood Stud Wall Installation: Pre-drill Holes Into Wall Studs and Secure with Fasteners ...For Masonry Wall Installation go to Step 3

1. Position stud bracket on main wall bracket. Do not fasten yet
2. Mark holes where slots in bracket intersect wall studs (at least two studs)
3. Remove both brackets from wall and pre-drill pilot holes
4. Secure wall bracket to wall
5. Secure main bracket to wall bracket



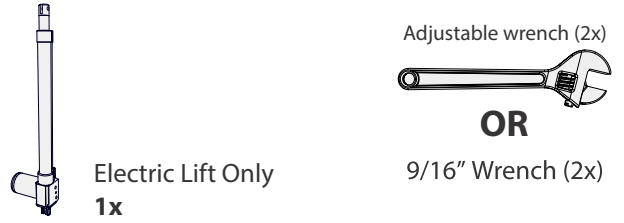
**!** Use hardware recommended for your wall type.  
 See Page 6 for recommended hardware.  
 Use the supplied flat washers.  
**FASTENERS ARE NOT INCLUDED.**

5

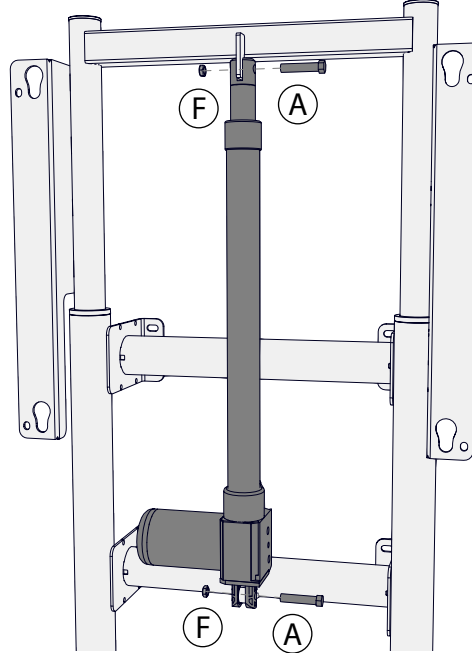
Actual Size:



You will need: (Not to Scale)

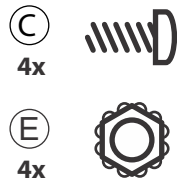


### Install Electric Lift

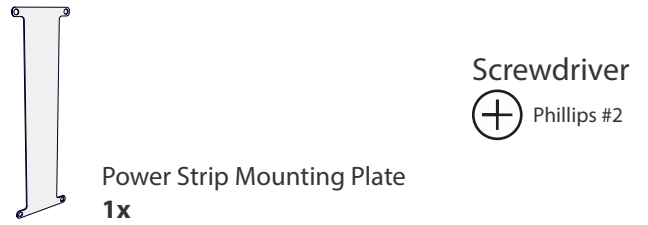


6

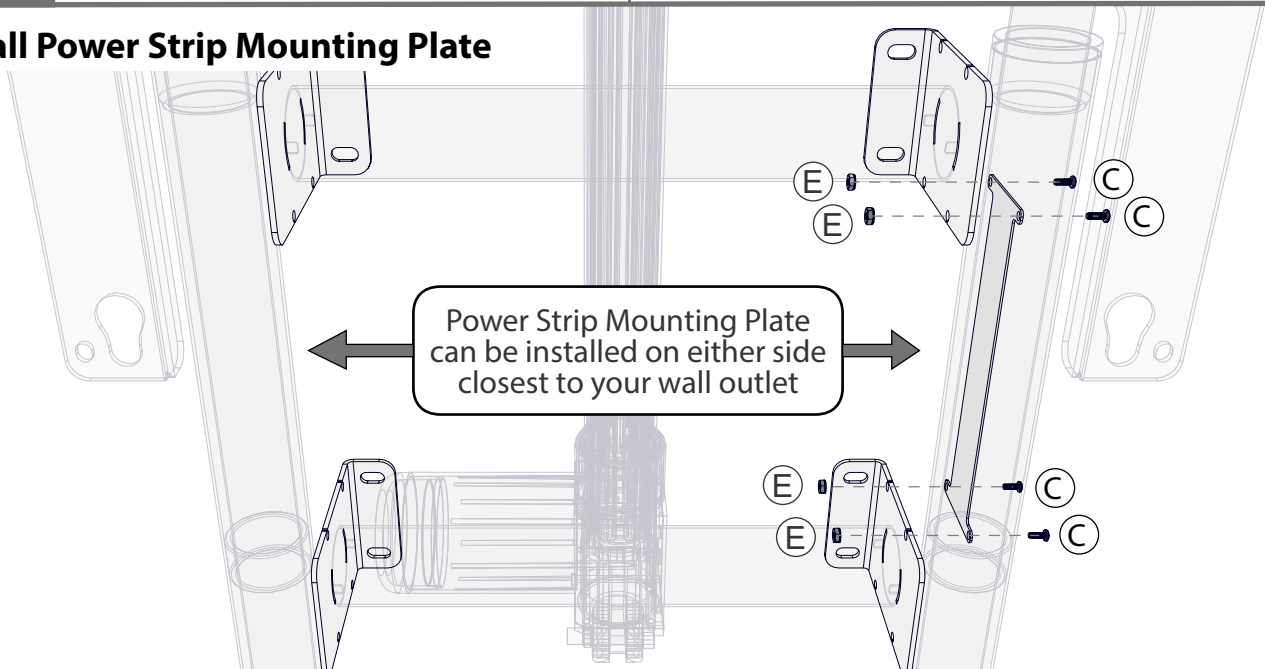
Actual Size:



You will need: (Not to Scale)

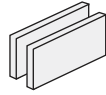


### Install Power Strip Mounting Plate

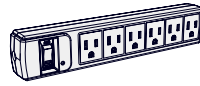


7

You will need: (Not to Scale)

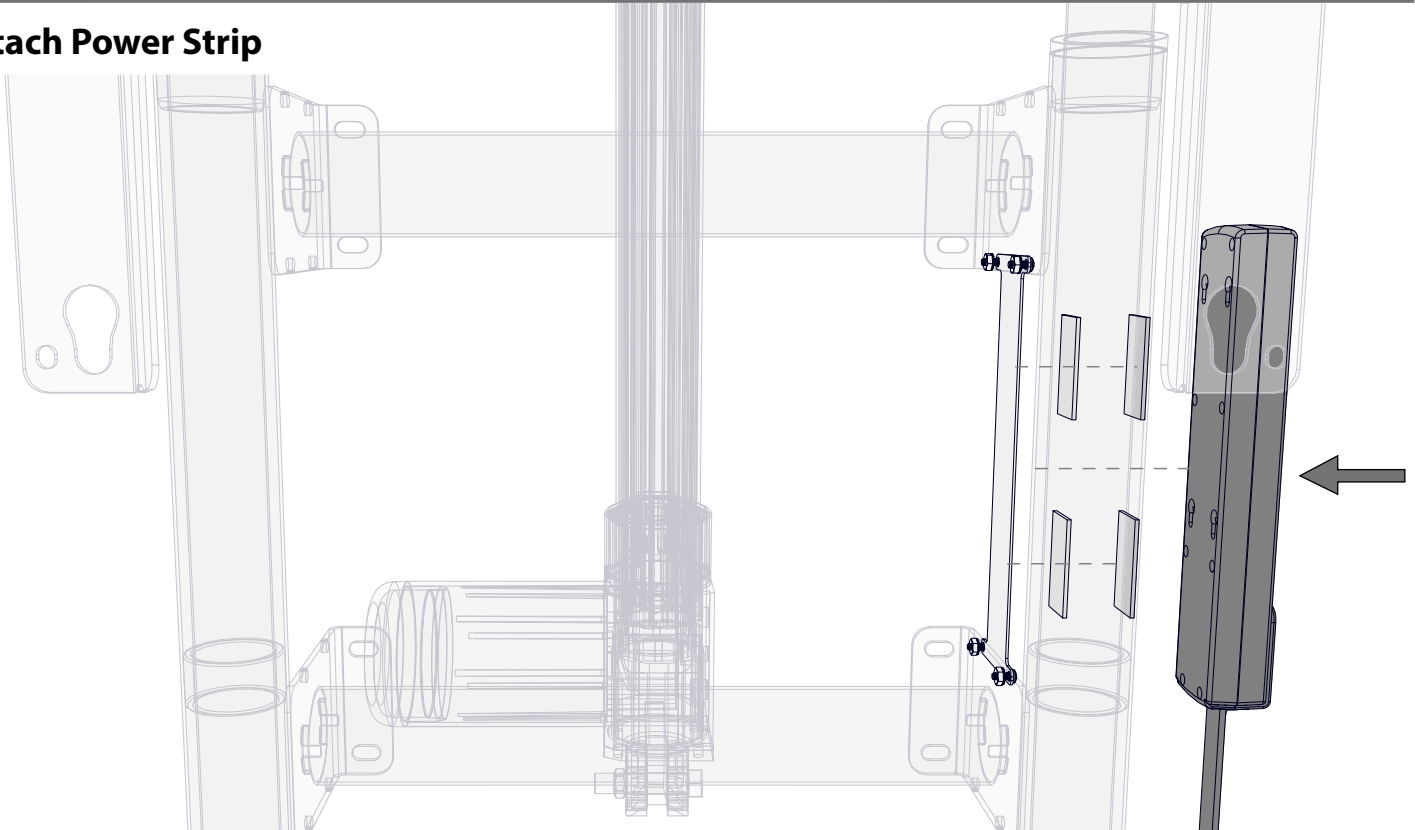


Hook & Loop Tape  
2x / 2x



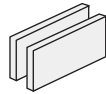
Power Strip  
1x

### Attach Power Strip



8

You will need: (Not to Scale)

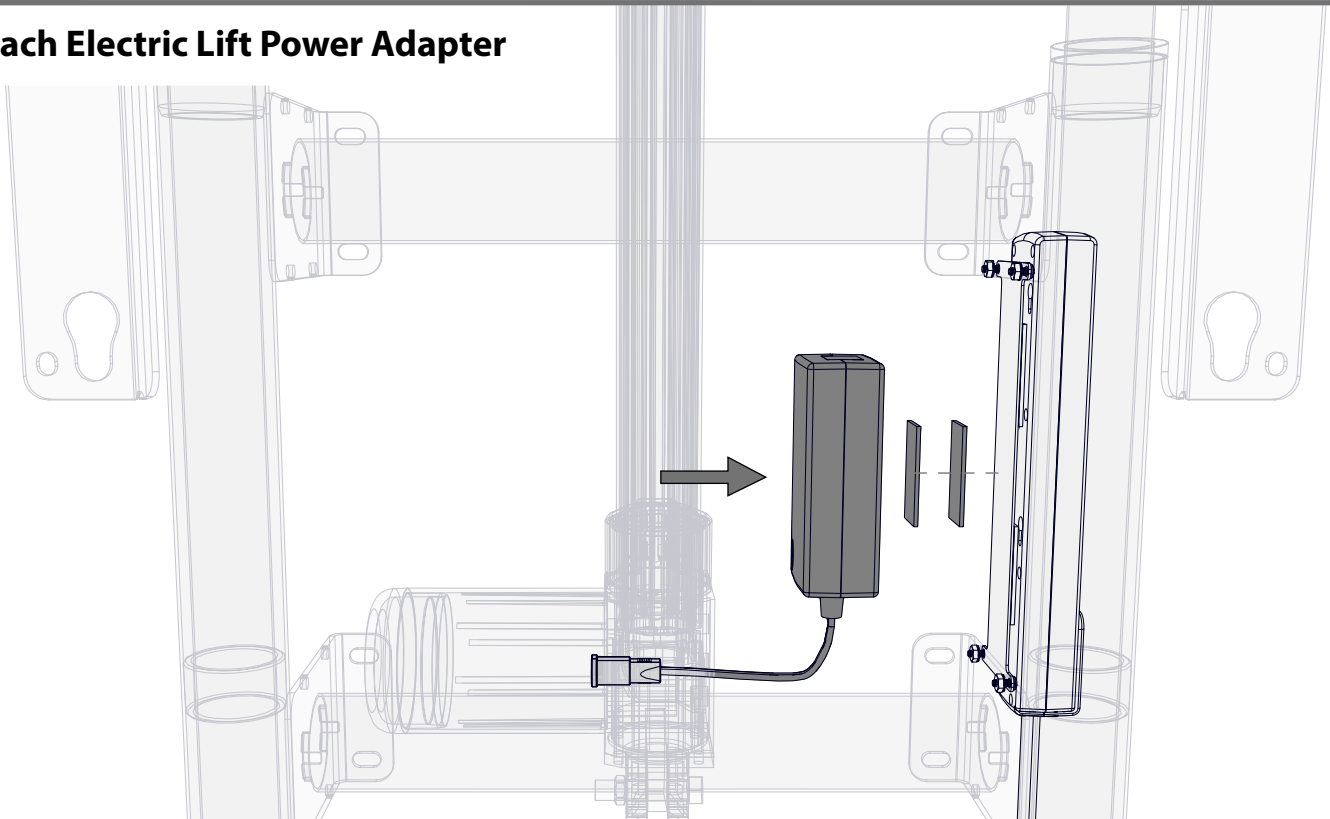


Hook & Loop Tape  
1x / 1x



Electric Lift Power Adapter  
1x

### Attach Electric Lift Power Adapter



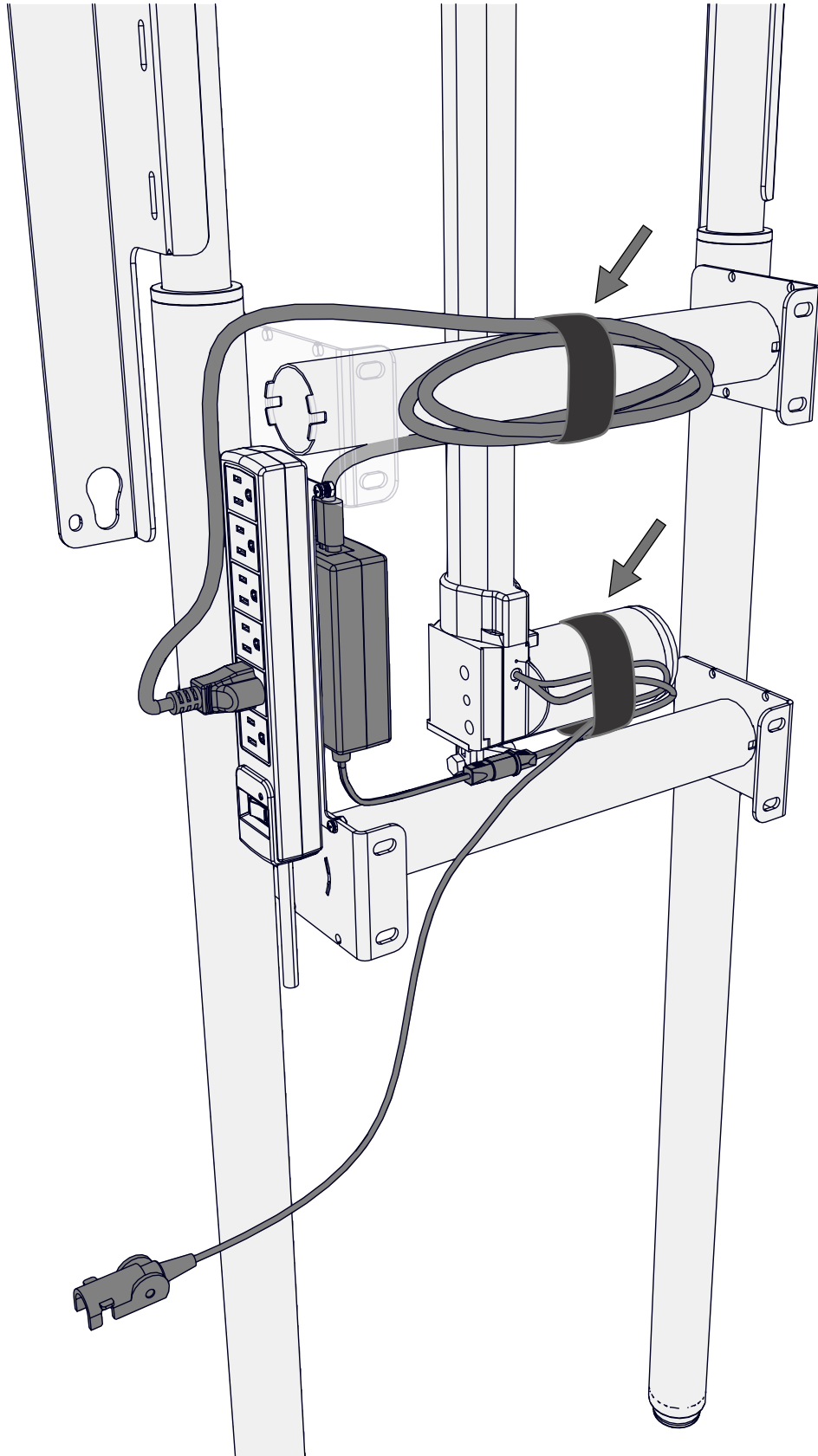
9

You will need: (Not to Scale)

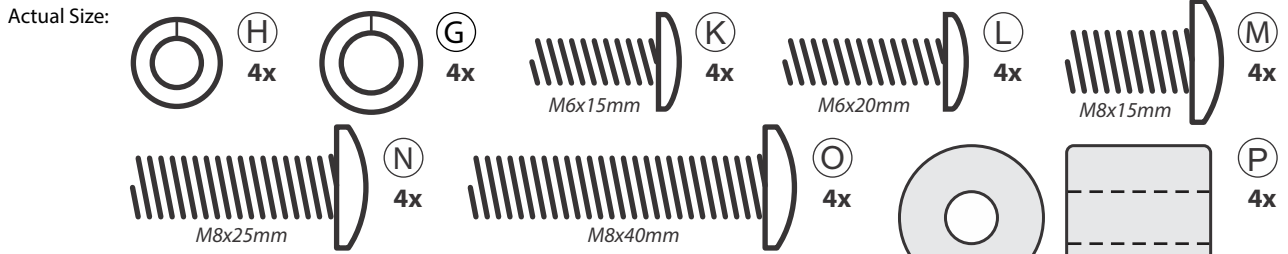


Hook & Loop Straps  
2x

### Attach All Electric Lift Cables & Secure With Straps



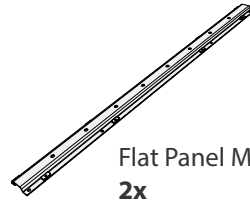
# 10



You will need: (Not to Scale)



Compatible flat panel  
(sold separately)  
1x



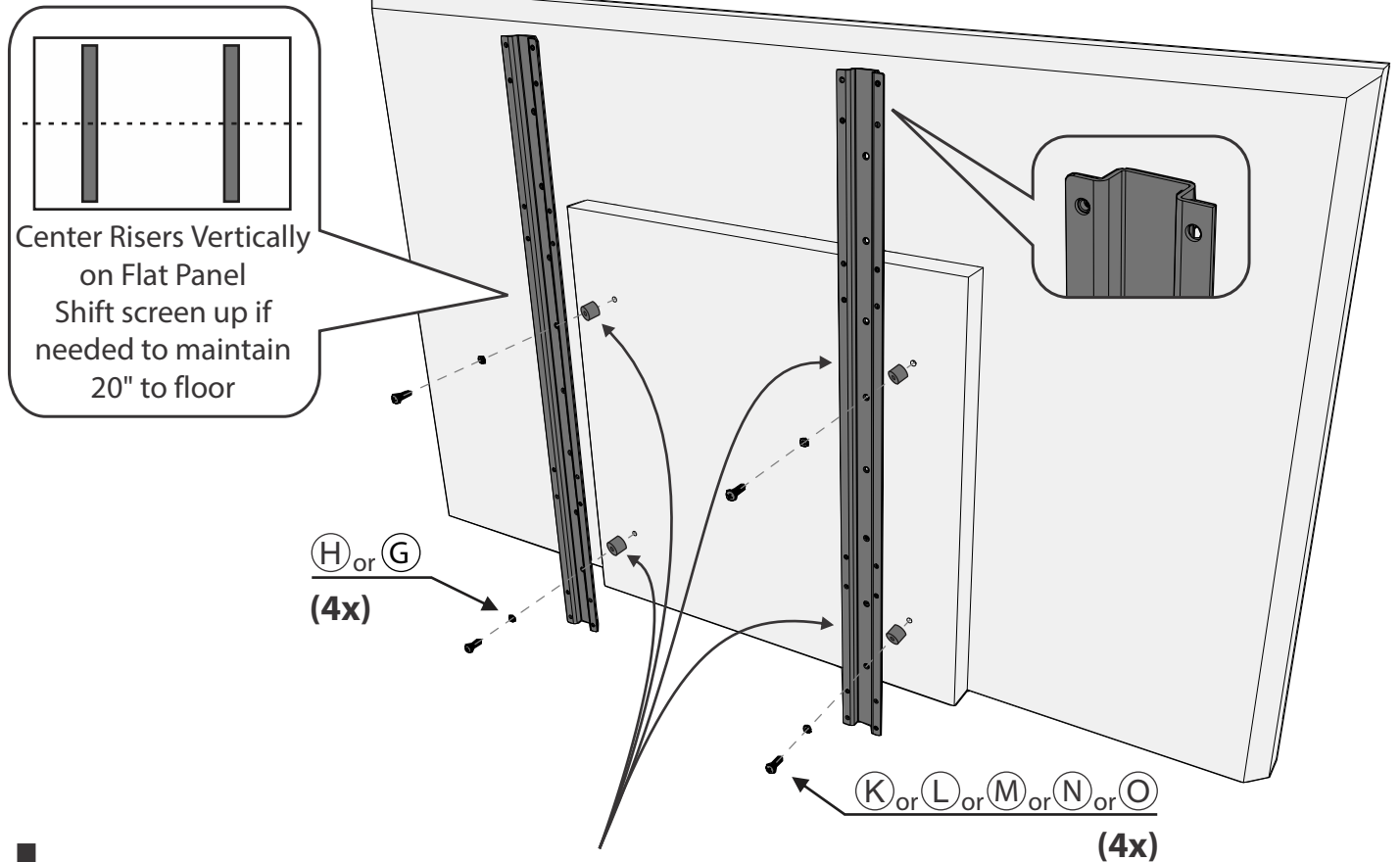
Flat Panel Mount Riser  
2x

Screwdriver  
⊕ Phillips #2

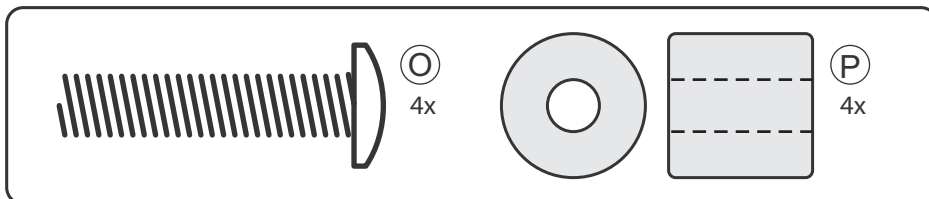
## Attach Flat Panel Mount Risers to Flat Panel

**!** Check your flat panel owners manual to determine correct VESA screw size and torque specifications to avoid causing damage to your flat panel.

(Showing SMART MX265 Flat Panel)



**!** For TVs without a flat back (Ex. Promethean) use the provided 3/4" spacers and longer screws. Install spacers between mount and TV.

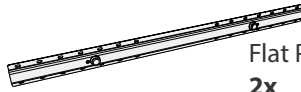




Actual Size:



You will need: (Not to Scale)

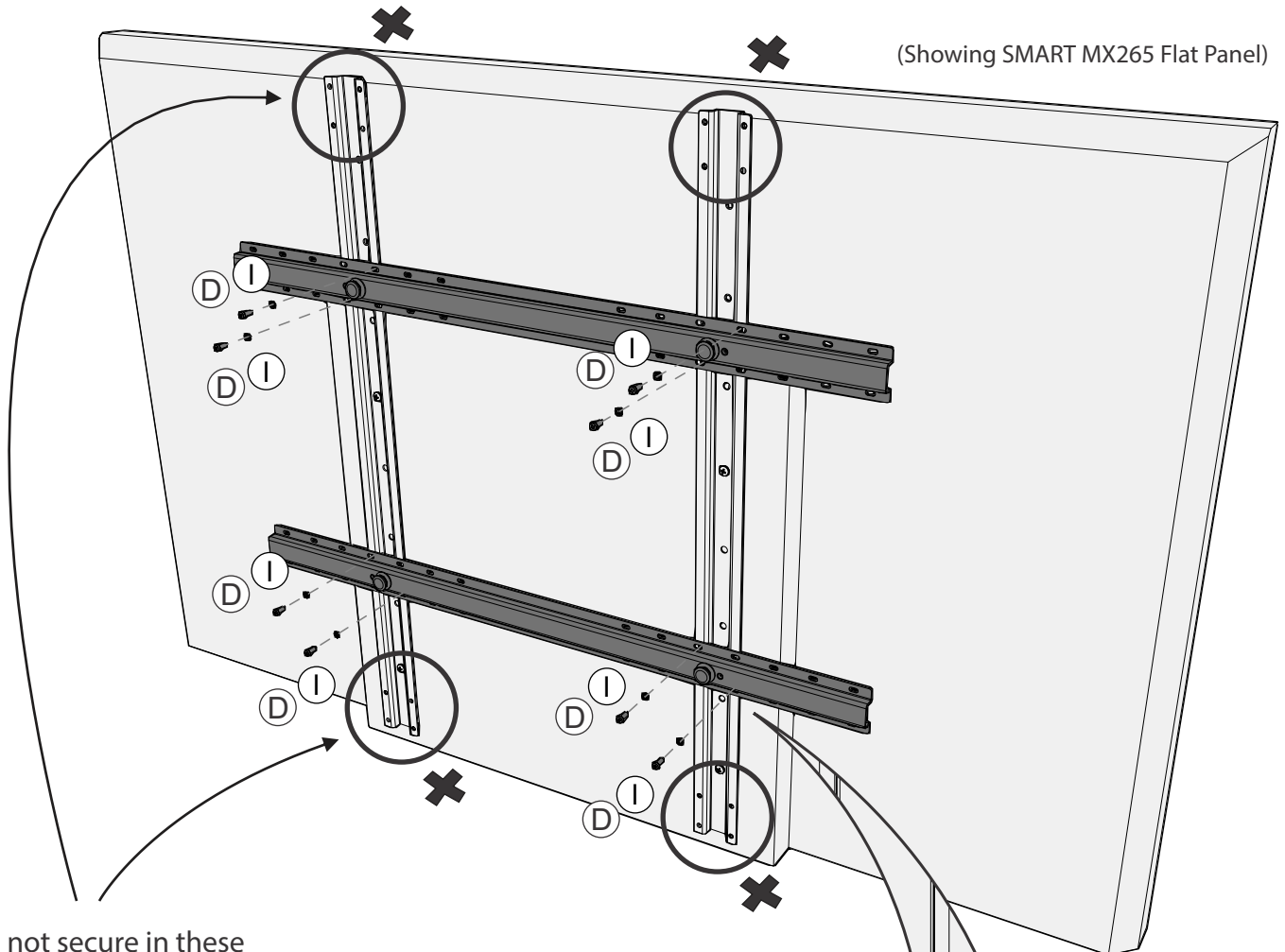


Flat Panel Mount Stretcher  
2x

Screwdriver

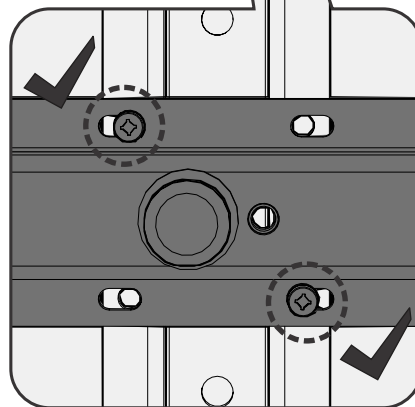


## Install Flat Panel Mount Stretchers



**!** Do not secure in these holes, they are used for attaching an optional soundbar mount

**!** Install screws in holes with threads, only 2 of 4 holes will have threads



12



2-Person Task

Actual Size:



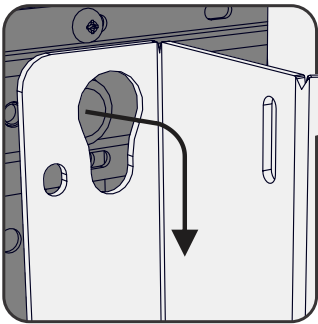
You will need: (Not to Scale)



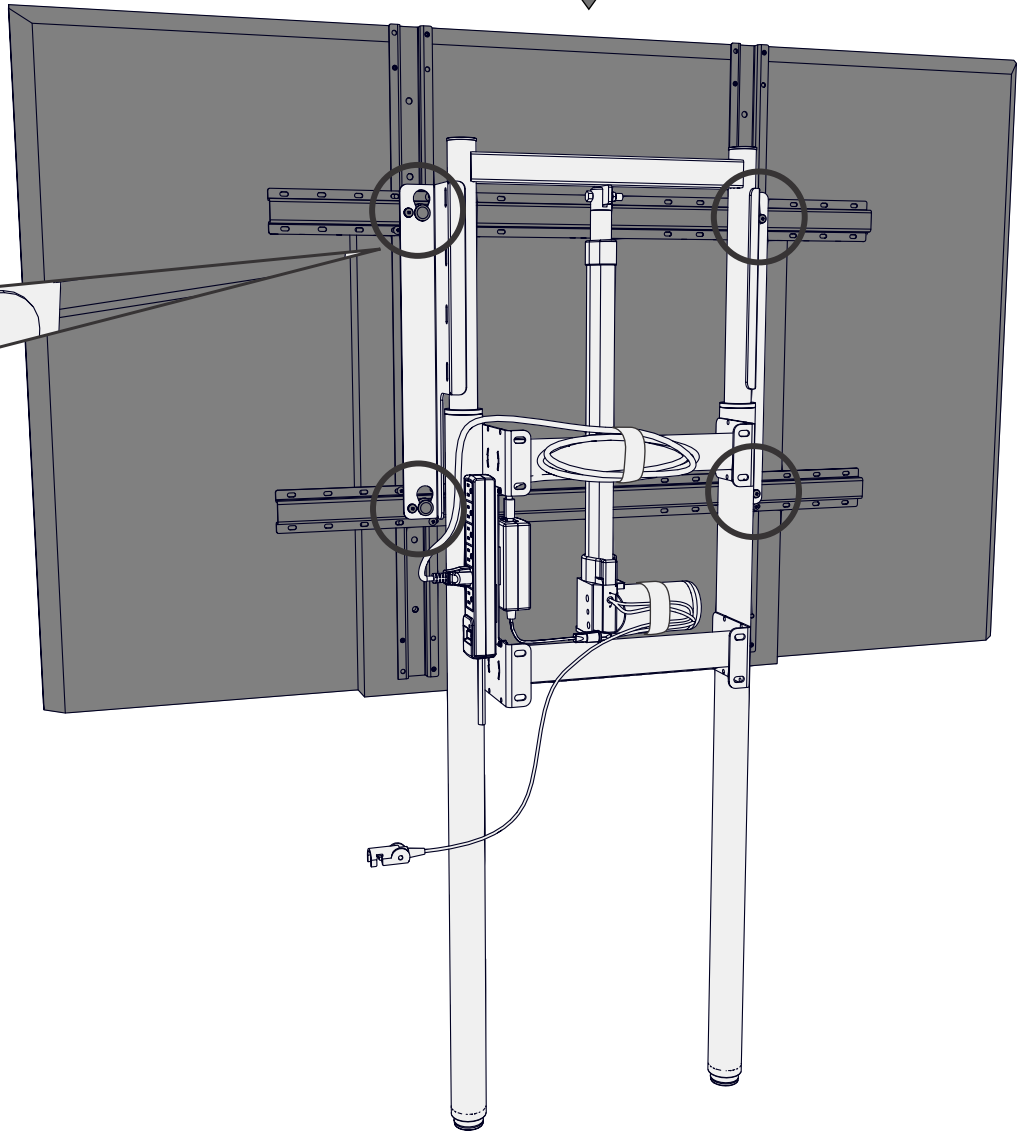
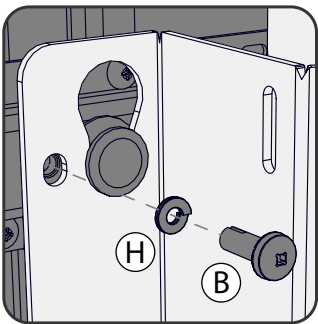
## Attach & Secure Flat Panel to Wall Mount



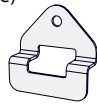
- 1 Insert all 4 adapters into keyholes.



- 2 Insert all 4 Safety Screws



You will need: (Not to Scale)



Remote Hanger Bracket  
1x



Electric Lift Remote  
1x



Hammer Drill  
1x

### Mount The Remote Hanger Bracket On Wall & Connect Remote

**!** Use hardware recommended for your wall type.  
 See Page 6 for recommended hardware.  
**FASTENERS ARE NOT INCLUDED.**

