

7-Day Timer

SA-027WQ

Features:

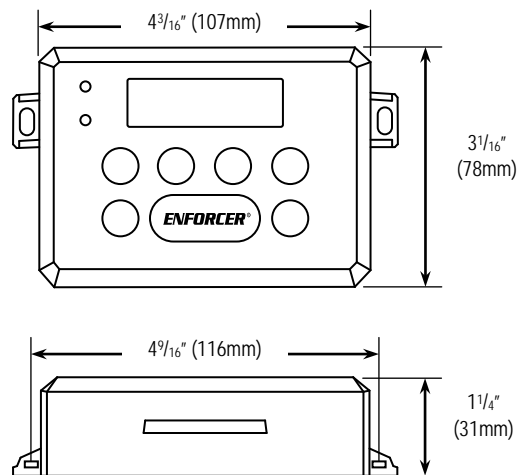
- Enclosed terminals for a safer installation
- 12-24 VAC/VDC Operation
- Up to 60 programmable events
- Holiday function (up to 99 days)
- Easy-to-read backlit LCD
- Adjustable output time
- Programmable security code
- 12 or 24-Hour clock format
- 16 Schedules including daily, weekly, weekends, etc.
- Memory saved if power fails
- Form C relay output (10A@120VAC/28VDC)
- Egress input terminal
- Mode selection button for manual relay operation

Specifications:

Model	SA-027WQ	
Operating voltage	12-24 VDC/VAC	
Current draw	Standby	15mA@12VDC
	Active	70mA@12VDC
Relay rating	10A@120VAC/28VDC	
Backup battery	1x CR-2016 (included)	
Dimensions	4 ³ / ₁₆ "x3 ¹ / ₁₆ "x1 ¹ / ₄ " (107x78x31 mm)	
Weight	4.6-oz (130g)	



Dimensions:



Also Available from SECO-LARM®:



SA-025Q
Multi-Purpose
Programmable Timer



SA-026Q
Miniature
Timer Module



SA-025EQ
Delayed Egress
Timer



SA-027HQ
365-Day
Annual Timer