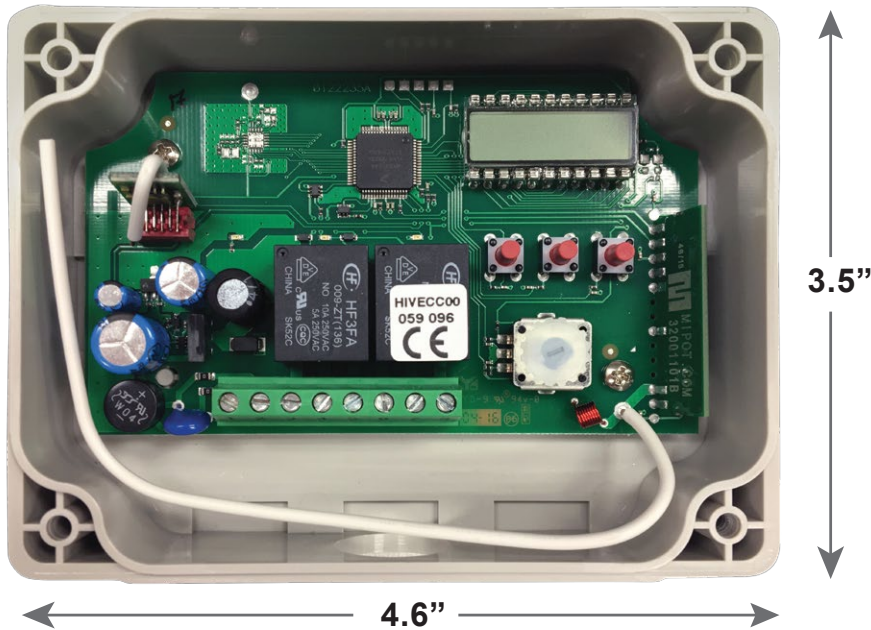




HIVE[®] DX RECEIVER

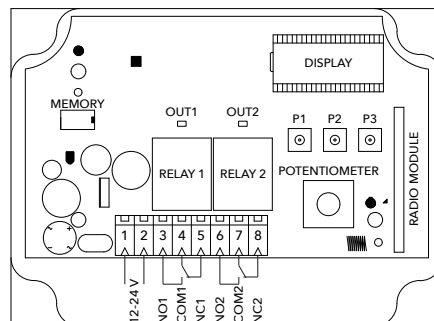


Transmitter Solution's Hive[®] DX receiver is designed to support any automatic door application. The receiver comes with 6 unique operating modes including switching networks mode, vestibule sequencing mode, and latching mode. The Hive[®] DX has the ability to control 2 door sequences among the various modes and is ideal for restroom applications where an indicator for occupancy status needs to be integrated. In addition, the Hive[®] DX has the ability to select and set time delays, with delay on the input activation, for both relays and doors separately.

FEATURES

- 6 operating modes - including vestibule sequencing
- 12-24 Vac/dc with auto detection of voltage
- Selectable time delays, with delay on input activation
- LED screen for easy programming
- NO / NC relay functions
- 2 Channels
- 433 MHz
- 800 transmitter memory
- Rolling code technology
- 2 year warranty

BOARD DIAGRAM



Accessories

Monarch[®]
433TSPW1K-C
433TSPW2K-C



Stingray[®]
433TSPW1V
433TSPW2V



433 Transmitter Module
TRAHANBUT433RC



TRAHANBUT433-AL
Transmitter Module



Square Push Plate
PP4XWRBOX



Specifications

Receiver Type: 2 Channel Rolling Code Receiver

Max Transmitters: 800

Power Supply: 12-24 Vac/dc with auto detect

Consumption (12Vdc):
27mA standby / 110mA 2 relay

Channels: 2 (with 6 operating modes)

Frequency: 433.92 MHz

Range (in open space): 260-325 ft*

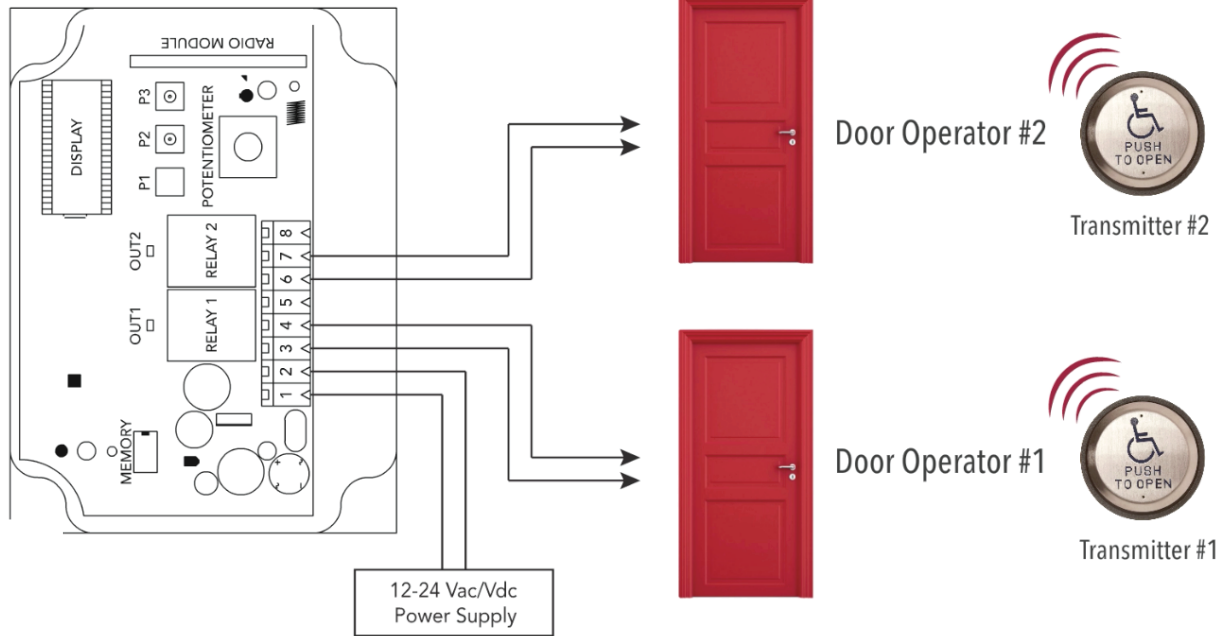
Relay Contact : 20A a 12 Vdc

Operating temperature: 14 to 131 °F

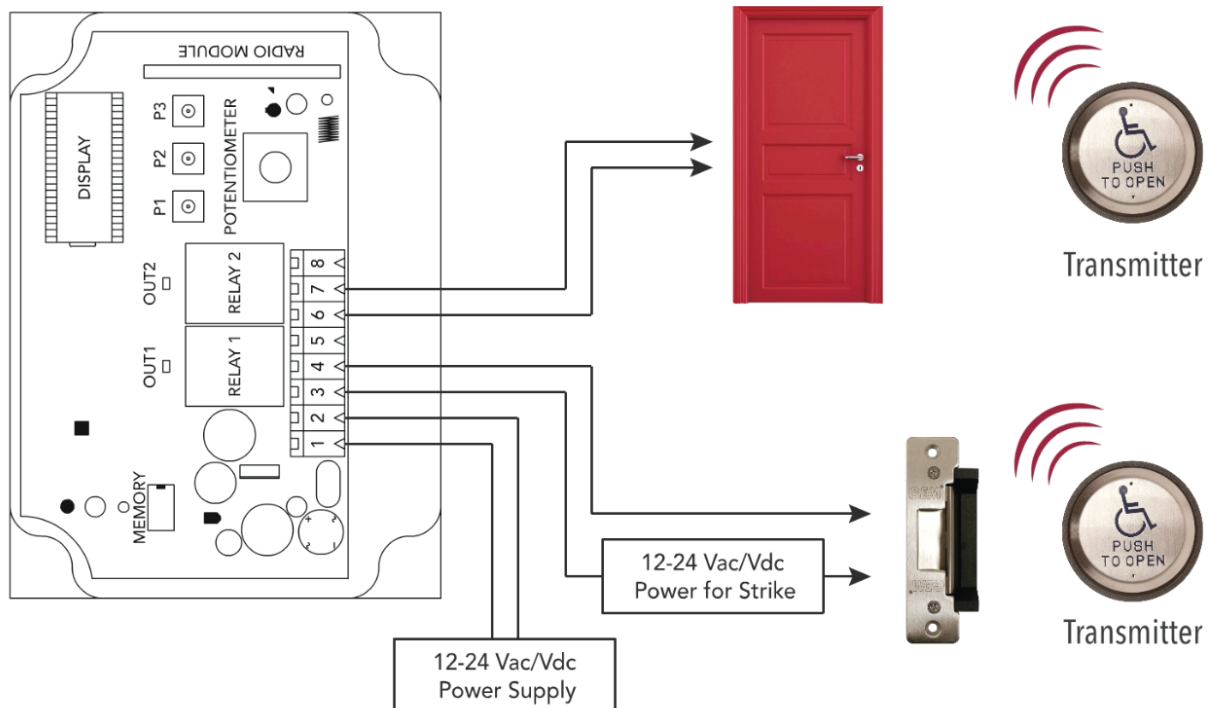
*The range is influenced by the type of transmitter, antenna and radio interferences.

6 OPERATING MODES:

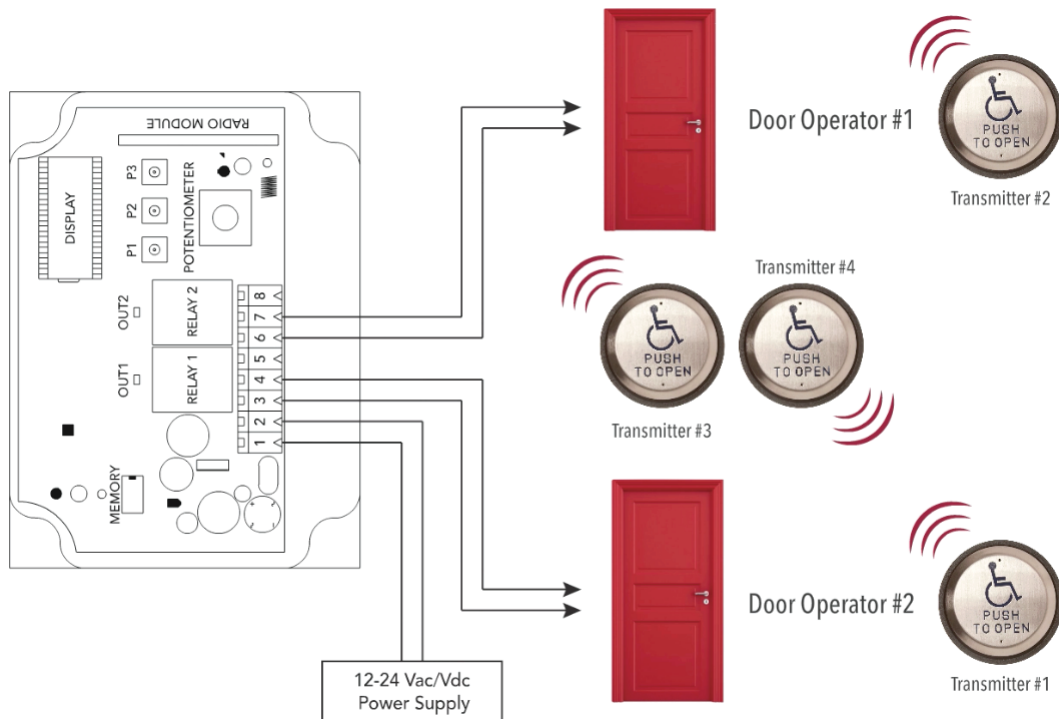
Mode 1: Dual Independent Outputs



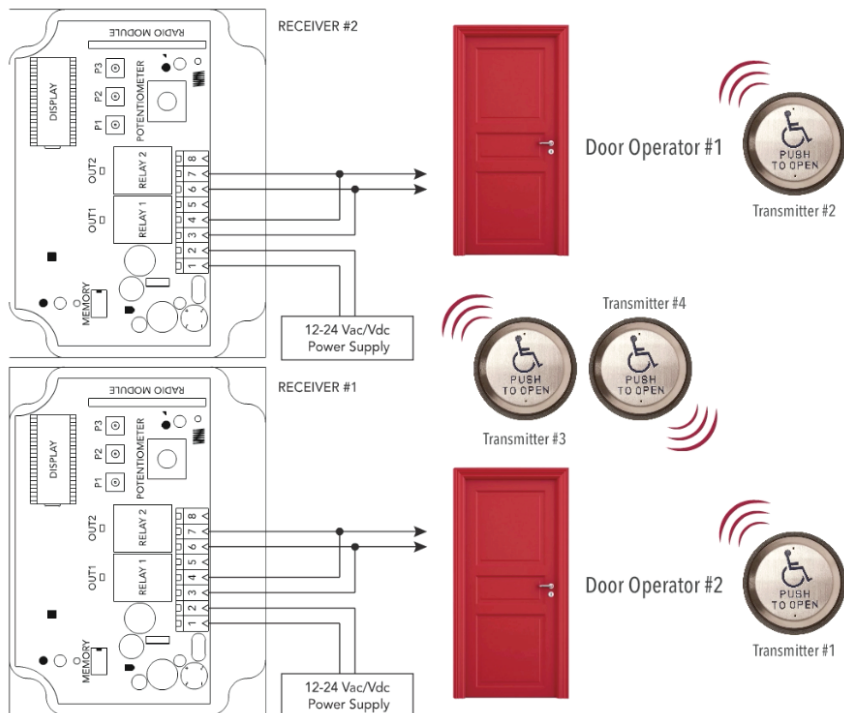
Mode 2: Switching Network



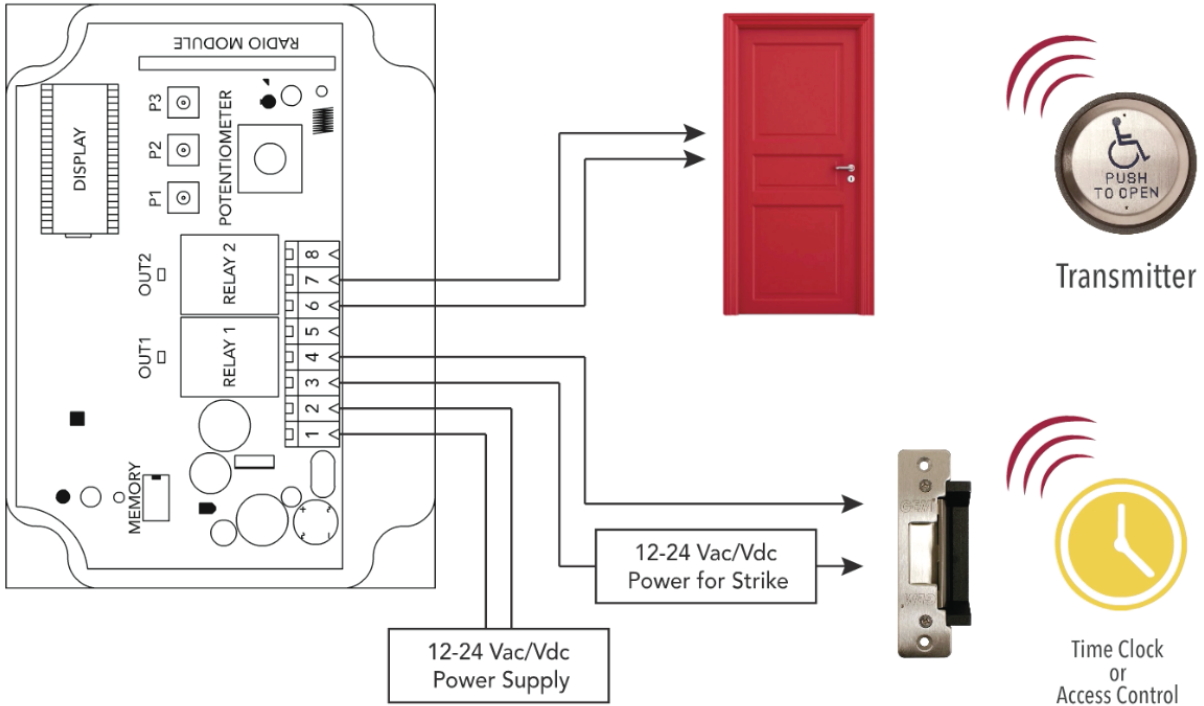
Mode 3: Vestibule Sequencing Option 1



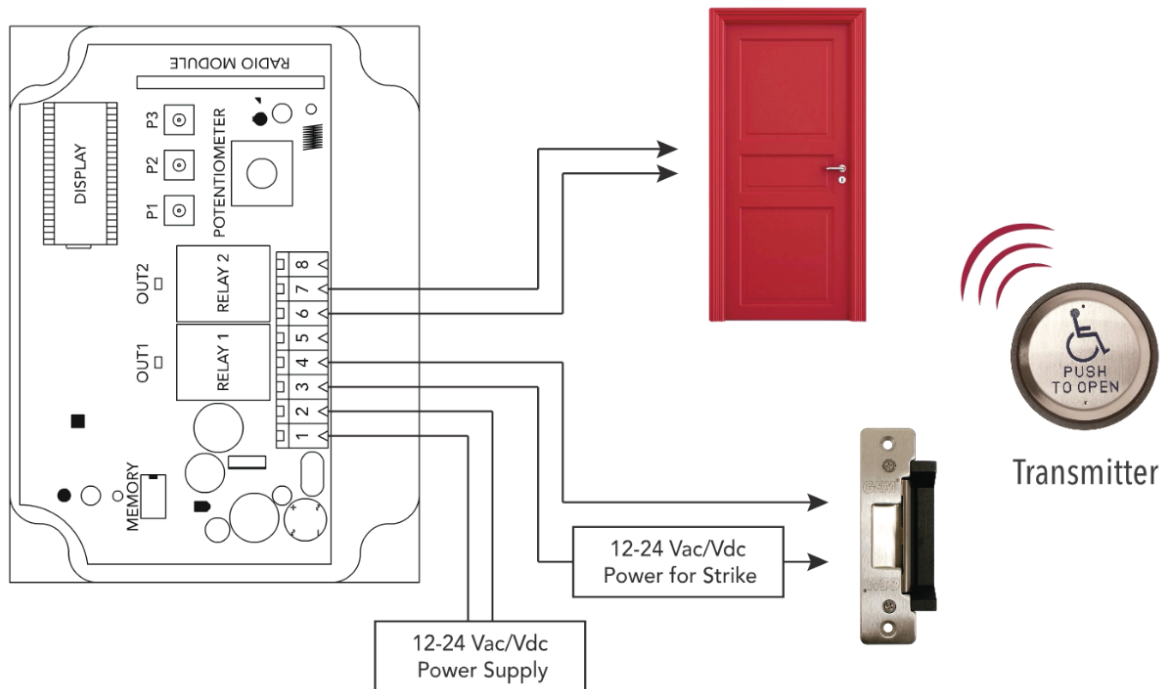
Mode 4: Vestibule Sequencing Option 2



Mode 5: Latched Mode Option 1



Mode 6: Latched Mode Option 2



TRANSMITTER SOLUTIONS

PH 866.975.0101

FX 866.975.0404

www.transmittersolutions.com