

# LA500PKGUL SWING GATE OPERATOR

SECTION 32 31 00



## KEY FEATURES

<b>BATTERY BACKUP</b>	Yes
<b>REMOTE CONTROL ACCESS</b>	Security+ 2.0® 3-channel receiver will handle up to 50 remote controls (unlimited remotes with 811LMX/813LMX)
<b>INTERNET CONNECTIVITY</b>	MyQ® technology monitors and controls the operator through the MyQ app
<b>MONITORED SAFETY INPUTS</b>	3 inputs main board; 3 optional expansion board
<b>SOLAR-POWER CAPABILITIES</b>	Yes
<b>DIAGNOSTIC DISPLAY</b>	LED diagnostic display
<b>WIRELESS DUAL-GATE COMMUNICATION</b>	Eliminates expensive conduit costs and unsightly driveway scars
<b>FIRE DEPARTMENT COMPLIANT</b>	Allows gate to auto open upon loss of AC power or battery depletion
<b>LIMIT SETTING</b>	Electronic
<b>DUAL-GATE CONTROL</b>	Bi-part delay or synchronized close
<b>PROGRAMMABLE AUXILIARY RELAYS</b>	Easily add additional features, such as warning lights/alarms
<b>UNAUTHORIZED ACCESS PREVENTION</b>	Can be programmed with anti-tailgate or quick close capabilities
<b>HOMELINK® COMPATIBLE</b>	Version 4 and higher

## SPECIFICATIONS

<b>OPERATOR SPEED</b>	90-degree opening in 17 seconds
<b>POWER</b>	120V/230VAC single phase
<b>ACCESSORY POWER</b>	24VDC, 500mA output; switched and unswitched power
<b>OPERATOR WEIGHT</b>	Actuator arm 35 lbs.; standard control box 13 lbs.; includes (2) 7Ah batteries
<b>WARRANTY</b>	2 years
<b>TEMPERATURE SPECIFICATIONS</b>	-4°F (-20°C) to 140°F (60°C)
<b>UL USAGE CLASSIFICATION</b>	UL 325 & UL 991 listed – class I, II, III and IV

## CONSTRUCTION

<b>MOTOR</b>	24VDC motor with soft start/stop
<b>OPERATOR DUTY RATING</b>	300 cycles per day
<b>CHASSIS/FRAME</b>	Commercial-duty aluminum die-cast housing
<b>GEAR REDUCTION</b>	Precision-machined all-metal gear in contained lubrication housing.
<b>RECOMMENDED CAPACITIES</b>	Rated for gates up to 18 ft. in length or weighing up to 1,600 lbs.

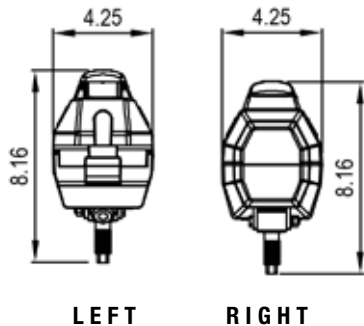
**DATA SHEET**  
SWING GATE OPERATOR

**LiftMaster**

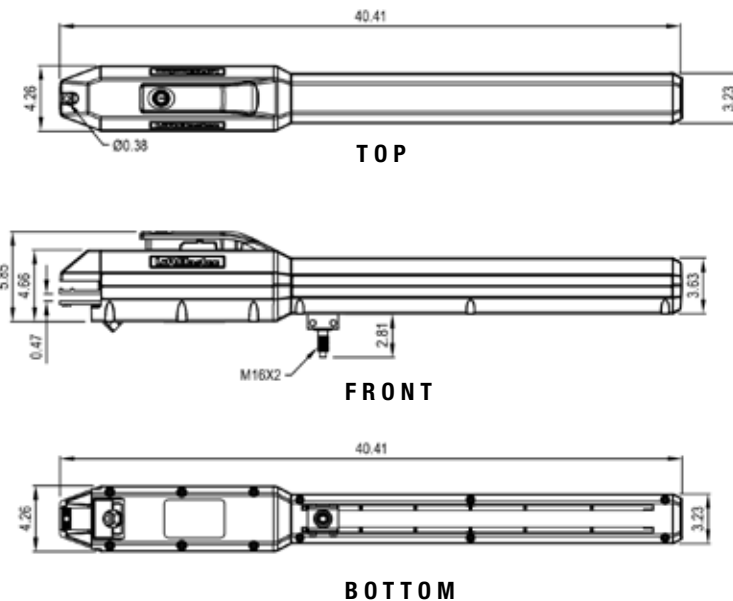
# LA500PKGUL SWING GATE OPERATOR

SECTION 32 31 00

## DIMENSIONS



## ACTUATING ARM



## CONTROL BOX

