



**SONY**  
Image sensor technology

**OSRAM**  
LED TECHNOLOGY INCLUDED

**1080P**  
**FULLHD**

## D1101KH CLASSIC

### IP VIDEO DOOR STATION

Surface-mount • 1 Call Button • Keypad Module

  
Designed,  
developed and  
made in Germany

# ANSWER YOUR DOOR ANYWHERE.

## ADVANTAGES

### HOW DOES IT WORK?

Imagine, you are not at home and your children have locked themselves out or the courier wants to deliver a parcel. With DoorBird this is no longer a problem. Every time someone rings the doorbell you will get a push notification on your smartphone or tablet. Via the DoorBird App you can talk to visitors and also see them live in HD quality. You will never miss a visitor again. With DoorBird you are on the move and yet at home, even if a burglar rings at the door to check if someone is at home.

### SMART HOME STARTS AT THE FRONT DOOR

DoorBird is the smart solution for your house entrance. Simply connect your DoorBird IP Video Door Station to your smartphone and talk to your visitor - anywhere you are. The IP Video Door Station can be used as a stand-alone unit or can be integrated into an existing Smart Home platform. Even existing classic installations such as an electric door opener can still be used and controlled via the DoorBird App.

### QUALITY MADE IN GERMANY

All DoorBird products are designed, developed and produced by Bird Home Automation GmbH in Berlin, Germany. We manufacture all products with the greatest care and precision, and deliver them to our customers all over the world.



#### Open API

- Local interface for integration with third-party systems and SIP



#### Video and audio call

- On smartphones, tablets (iOS, Android), IP and landline phones (SIP)



#### Smart Transmission Mode (STM)

- Real-time audio / video communication, optimized for mobile devices via WiFi, 3G, 4G, 5G



#### Smart Home & NVR compatible

- Control4, Loxone, Crestron, Synology, AVM FRITZ!Fon, URC, QNAP, RTI, ELAN, Fibaro, Bang & Olufsen and others



#### Automatic door buzzer

- For use in medical offices and office environments

#### HD HDTV Video

- Ultra wide-angle, hemispheric lens, 180°

#### 4D Motion sensor with 4D technology

- Distance up to 6 m (19.7 ft) adjustable via App (interval: 1 m / 3.3 ft)



#### Free visitor history

- Store still images for free, optional video recording available



#### Light sensor

- For night vision mode



#### Noise reduction and echo cancellation (AEC, ANR)



#### Individual action schedules, e.g.:

- Trigger relay 1 for automatic door release Mo-Fr from 9 am until 4 pm when the call button is pressed
- 4D motion sensor switches on external lamp between 9 pm and 6 am



#### One freely configurable bistable latching relay

- Control one door or gate via App
- Status configurable
- via App: temporary or permanent circuit



#### Keypad Module

- Configurable via App
- More than 1000 individual PIN codes
- Individual events (e.g. switch a relay, HTTP(s) requests)



#### Geofencing

- Automatic door and gate opening when returning home



#### Easy self-install

- Quick installation via QR code scan



#### Easy connection to the network

- Connection via a network cable or bell wire via 2-Wire Ethernet PoE Converter "DooBird A1071" (PoE, network data)



#### Night vision

- With Infrared LEDs



#### Configurable stainless steel button

- With illuminated LED ring



#### Microphone

- Clear voice transmission

GENERAL	
Front panel	3 mm (0.12 in) Available in brushed stainless steel V2A / V4A
Mounting housing (backbox)	Stainless steel
Mounting type	Surface-mounted, flush-mounted version sold separately
Call button	Stainless-steel button with illuminated LED Ring
Keypad Module	12 keys, illuminated, configurable via App, e.g. <ul style="list-style-type: none"> <li>• Individual PIN codes</li> <li>• Individual events (e.g. switch a relay, HTTP(s) request)</li> <li>• Individual schedules</li> <li>• Up to 1000 PIN codes manageable</li> </ul>
Power supply	15 V DC (max. 15 W) or Power over Ethernet (PoE 802.3af Mode-A)
Weight	2430 g
Connectors	<ul style="list-style-type: none"> <li>• LAN/PoE (T+, T-, R+, R-)</li> <li>• Bistable latching relay, max. 1-24 V DC/AC, 1 A, e.g. for electric door opener</li> <li>• External input for external door opener button</li> <li>• 15 V DC input (+, -), max. 15 W</li> </ul>
Weatherproof	Yes, IP65
Approvals	IP65, CE, FCC, IC, RoHS, REACH, IEC/EN 62368, IEC/EN 62471
Dimensions	182,00 x 219,00 x 72,50 mm (H x W x D) 7.17 x 8.62 x 2.85 in (H x W x D)
Operating conditions	-25 to +55°C / -13 to 131 °F Humidity 10 to 85 % RH (non-condensing)
Scope of delivery	1x Main Electrical Unit 1x Front panel 1x Surface-mounting housing (backbox) 1x Power supply unit (mains adaptor) with 4 country-specific outlet adaptors (110 - 240 V AC to 15 V DC) 1x RJ45 adapter 1x Screwdriver 1x Quickstart guide with Digital Passport 1x Installation manual 1x Small parts
Warranty	see <a href="http://www.doorbird.com/warranty">www.doorbird.com/warranty</a>

### CURRENT SYSTEM REQUIREMENTS

System requirements	Mobile device: Newest iOS on iPhone/iPad, newest Android on Smartphone/Tablet  Internet: High-Speed Landline Broadband Internet connection, DSL, cable or fiber optic, no socks or proxy server  Network: Ethernet Network, with DHCP
Recommended installation height	Camera lens should be at a min. height of 145 cm (57 in). Before the installation please determine your optimal installation height.

### VIDEO

Camera	HDTV 1080p, dynamic (VGA - HDTV)
Lens	High-end ultra wide-angle hemispheric lens 180° (D), 150° (H), 82° (V), straightened, IR-capable
Night vision	Yes, light sensor, automatic IR-cut filter, Infrared LEDs (850 nm)

### AUDIO

Audio components	Speaker and microphone, noise reduction and echo cancellation (ANR, AEC)
Audio streaming	Two-way, full duplex

### NETWORK

Ethernet	PoE 802.3af Mode-A, 10/100 Base-T
Supported protocols	HTTP, HTTPS, SSL/TLS, Bonjour, DNS, RTSP, RTP, TCP, UDP, RTCP, ICMP, DHCP, ARP, SIP, DTMF (RTP [RFC-2833], SIP INFO [RFC-2976]), STM

### MOTION SENSOR

Type	Active
Detection angle	80° (H), 50° (V)
Range	1 - 6 m (3.3 - 19.7 ft), depends on environment, configurable in 1 m (3.3 ft) steps.
Technology	4D. Based on multiple integrated sensors and algorithms, e.g. Radio Frequency Energy (RFE)
Configuration	Via App, e.g. <ul style="list-style-type: none"> <li>• Range (1 - 6 m / 3.3 - 19.7 ft)</li> <li>• Movement direction (coming, leaving, both)</li> <li>• Individual events (e.g. switch a relay, push notification, SIP call [audio/video], HTTP(s) requests)</li> <li>• Individual schedules</li> </ul>

### INTEGRATED WIRELESS MODULES

Bluetooth	Bluetooth Low Energy (BLE), enabled with future firmware and App update
Sensor	24 GHz, can be disabled

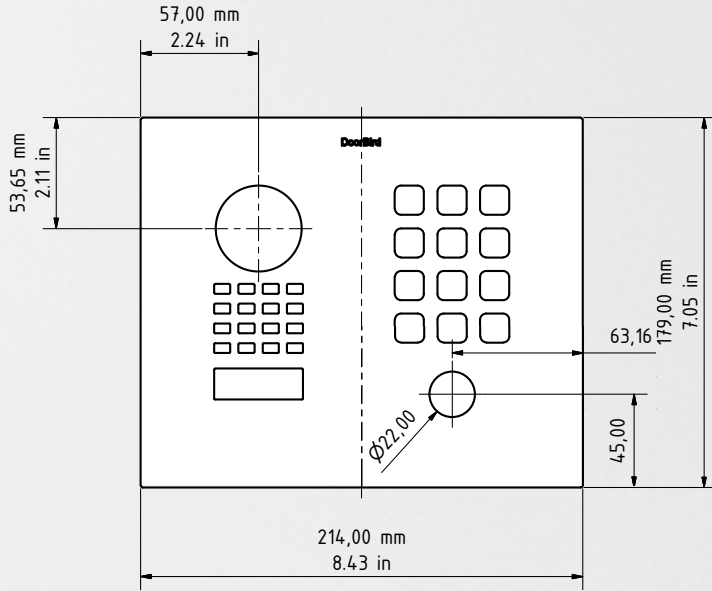
### THIRD-PARTY INTEGRATION (DOORBIRD CONNECT)

Partner integrations	see <a href="http://www.doorbird.com/connect">www.doorbird.com/connect</a>
API	see <a href="http://www.doorbird.com/api">www.doorbird.com/api</a>
Simultaneous video streams	One, for event-based recording

### OPTIONAL ACCESSORIES

Sold separately	see <a href="http://www.doorbird.com/buy">www.doorbird.com/buy</a>
-----------------	--

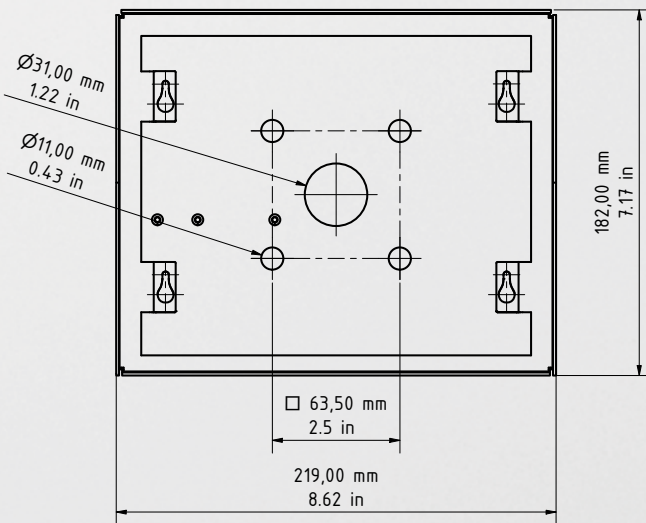
Front panel material thickness: 3.0 mm (0.12 in)



Front panel



Housing (backbox)



Housing (backbox)

