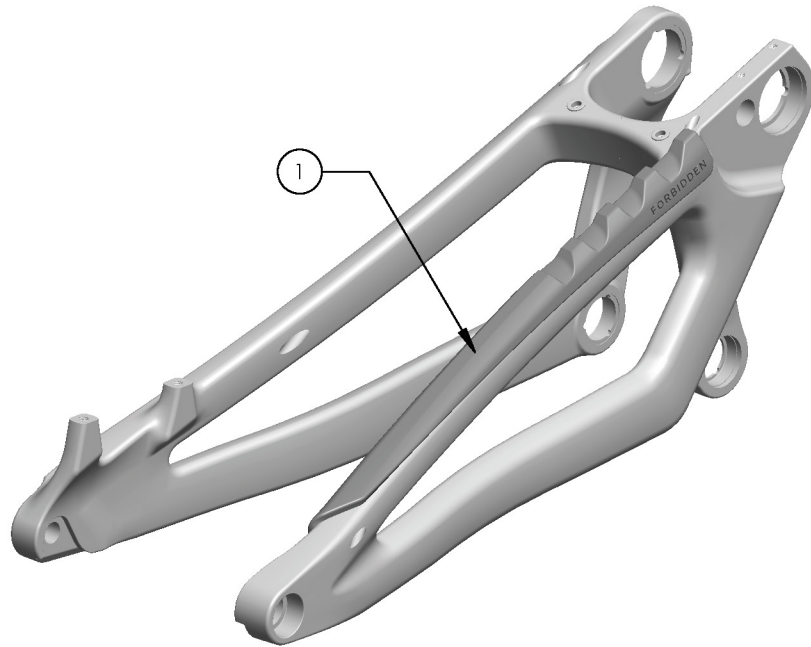


EXPLODED VIEW - V2.0

PAGE 1



ITEM NO.	DESCRIPTION	QTY
1	004.002.0003	1



ATTENTION: ENSURE SURFACE IS CLEAN AND FREE FROM GREASE!



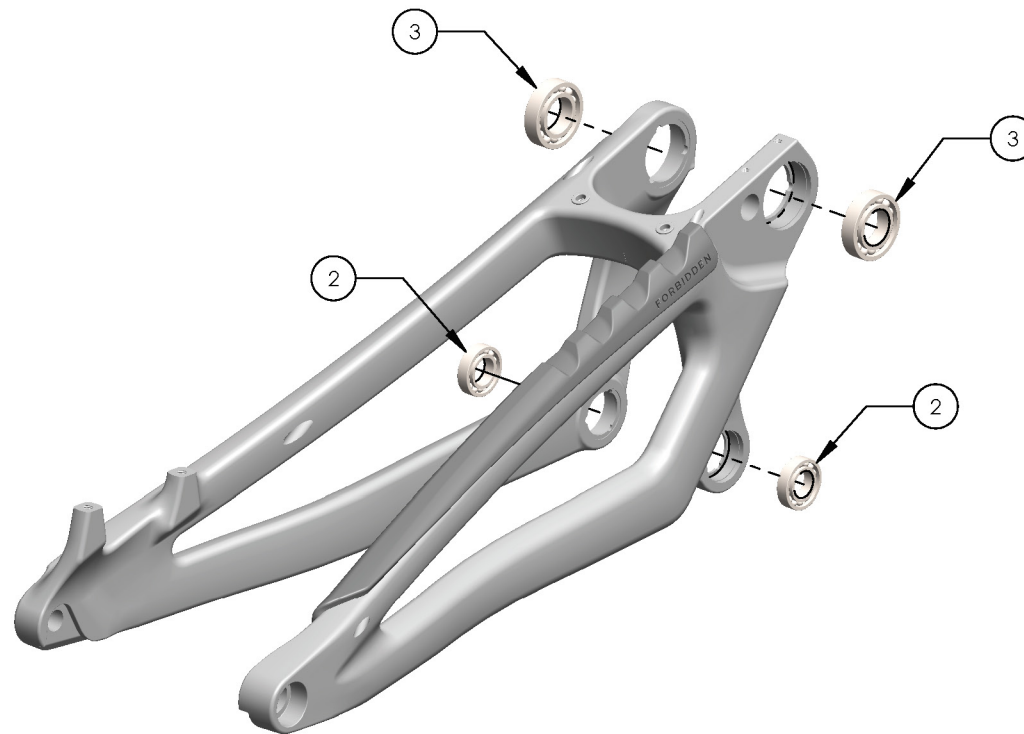
ATTENTION: ENSURE CORRECT ALLIGNMENT!

EXPLODED VIEW - V2.0

PAGE 2



ITEM NO.	DESCRIPTION	QTY
2	ENDURO 6902 LLU MAX	2
3	ENDURO 6904 LLU MAX	2



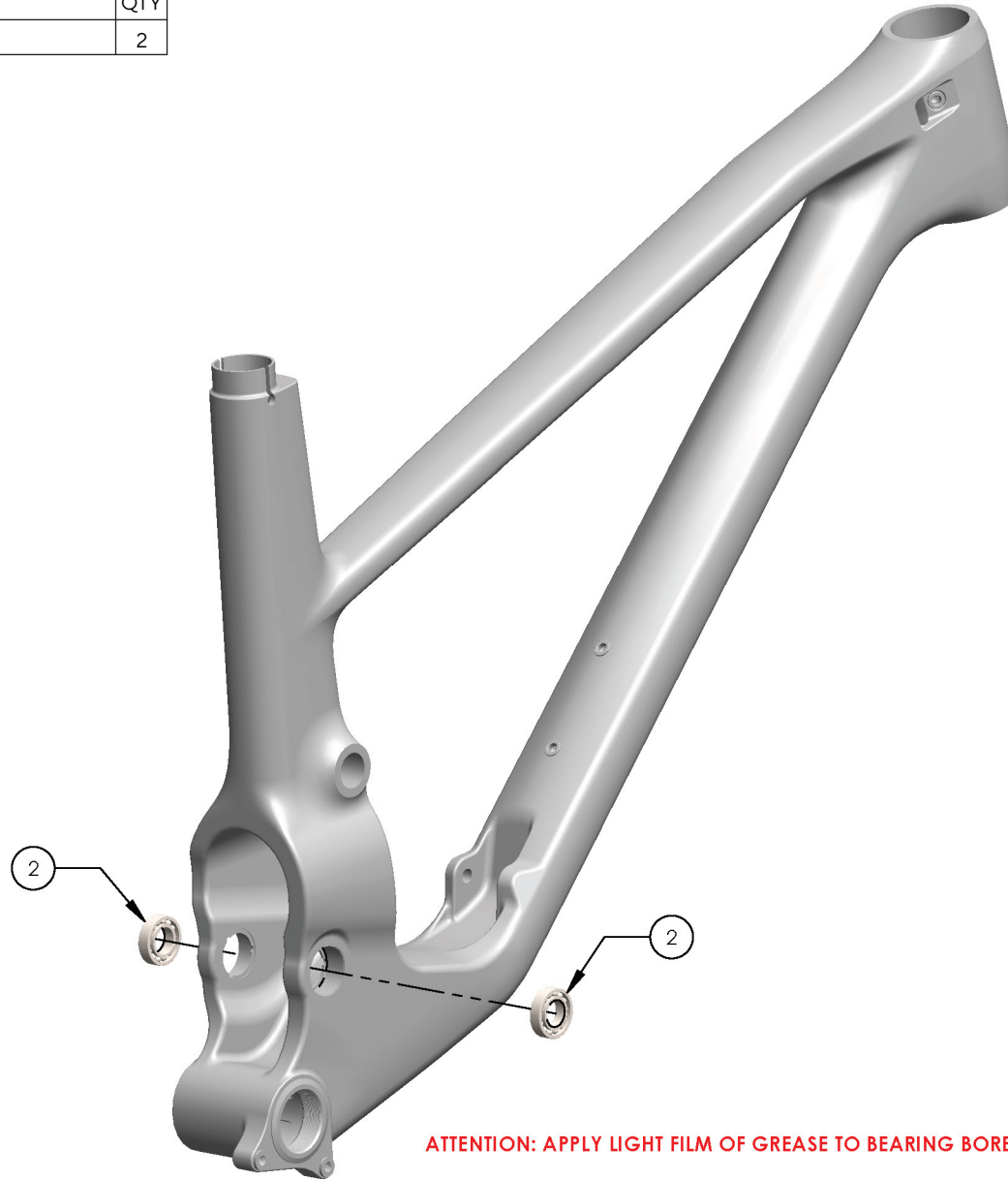
ATTENTION: APPLY LIGHT FILM OF GREASE TO BEARING BORES BEFORE INSTALLATION!

EXPLODED VIEW - V2.0

PAGE 3



ITEM NO.	DESCRIPTION	QTY
2	ENDURO 6902 LLU MAX	2



ATTENTION: APPLY LIGHT FILM OF GREASE TO BEARING BORES BEFORE INSTALLATION!

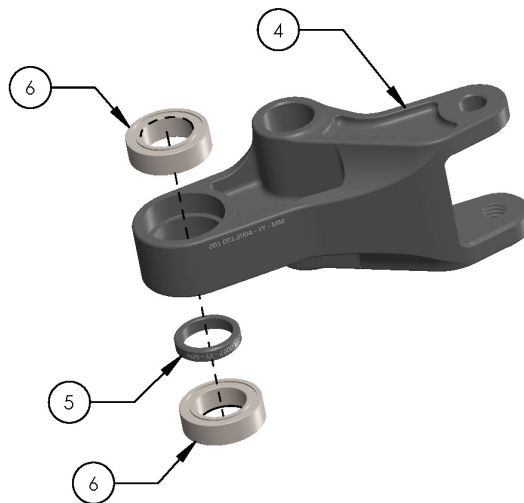


EXPLODED VIEW - V2.0

PAGE 4

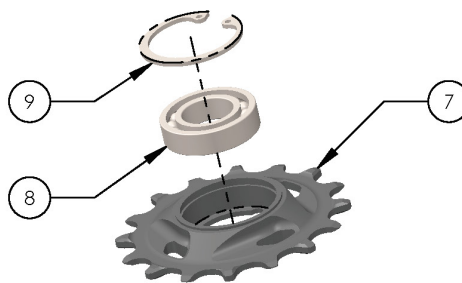


ITEM NO.	DESCRIPTION	QTY
4	001.001.0004	1
5	002.004.0007	1
6	ENDURO 3802 LLU MAX	2



ATTENTION: APPLY LIGHT FILM OF GREASE TO BEARING BORES BEFORE INSTALLATION!

ITEM NO.	DESCRIPTION	QTY
7	003.001.0005	1
8	ENDURO 6902 LLB ABEC 5	1
9	INTERNAL RETAINING RING 28mm BORE	1



ATTENTION: APPLY LIGHT FILM OF GREASE TO BEARING BORES BEFORE INSTALLATION!

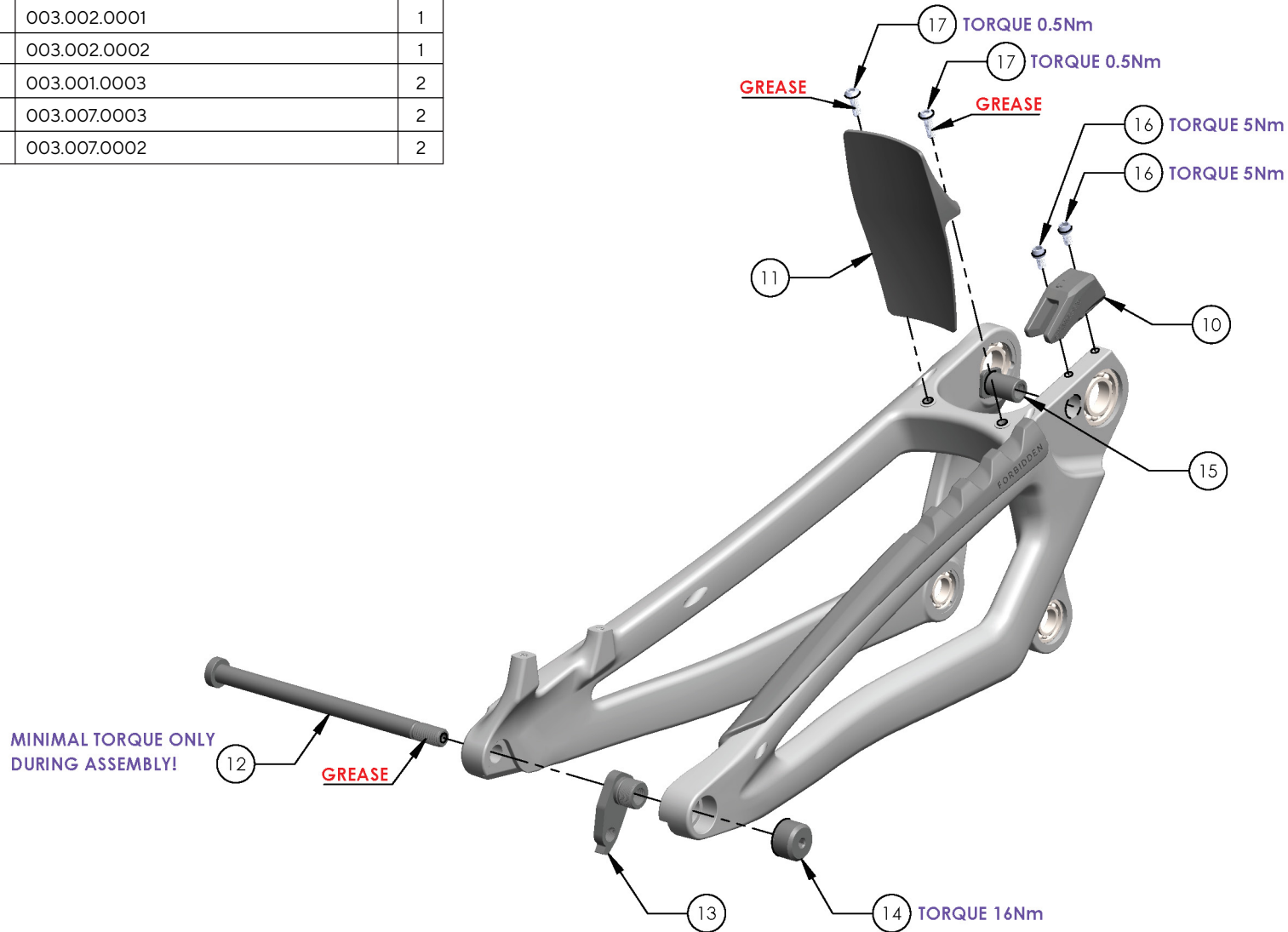


EXPLODED VIEW - V2.0

PAGE 5



ITEM NO.	DESCRIPTION	QTY
10	E13 UPPER GUIDE	1
11	004.002.0002	1
12	003.005.0001	1
13	003.002.0001	1
14	003.002.0002	1
15	003.001.0003	2
16	003.007.0003	2
17	003.007.0002	2

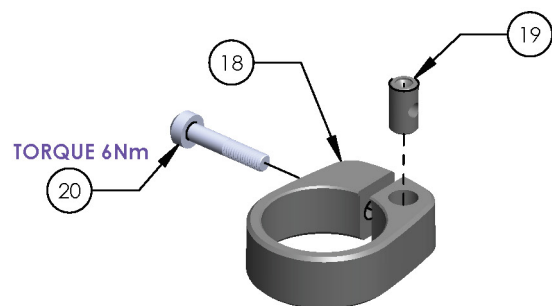


EXPLODED VIEW - V2.0

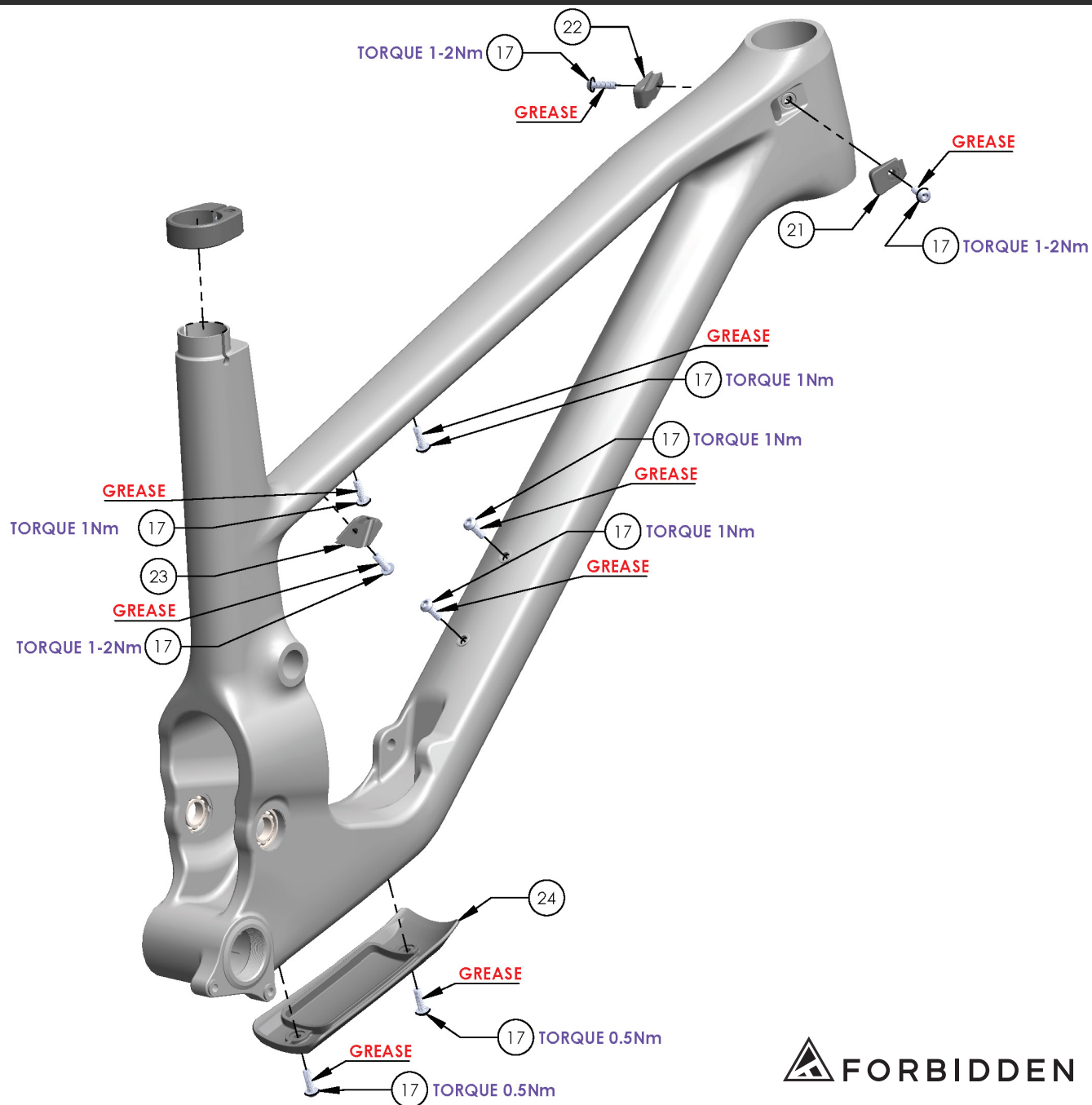
PAGE 6



ITEM NO.	DESCRIPTION	QTY
18	003.006.0001	1
19	003.007.0008	1
20	003.007.0005	1



ITEM NO.	DESCRIPTION	QTY
21	004.001.0003	1
22	004.001.0002	1
23	004.001.0001	1
24	004.002.0001	1
17	003.007.0002	9

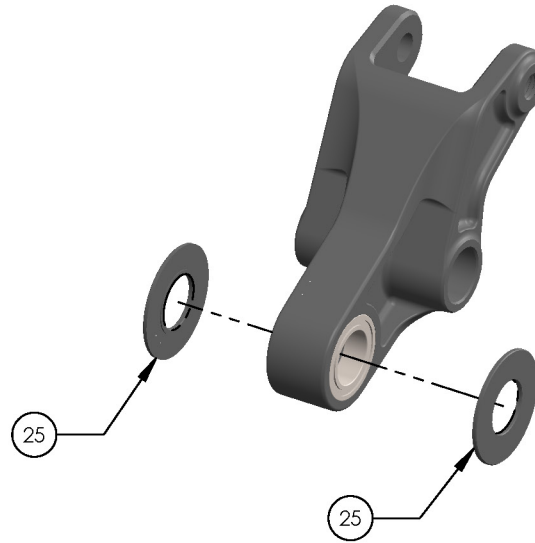


EXPLODED VIEW - V2.0

PAGE 7

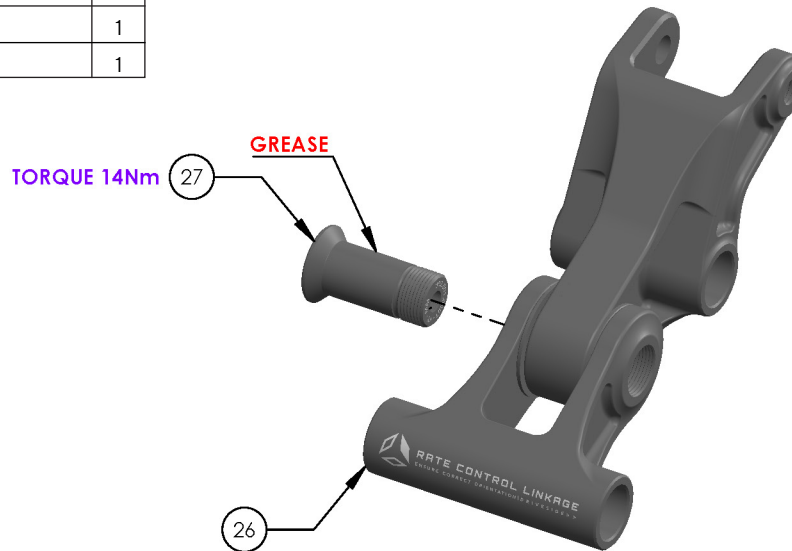


ITEM NO.	DESCRIPTION	QTY
25	002.004.0005	2



ATTENTION:
ENSURE CORRECT ORIENTATION OF SPACERS.
PART NUMBER FACES BEARING.

ITEM NO.	DESCRIPTION	QTY
26	001.001.0005	1
27	002.001.0007	1

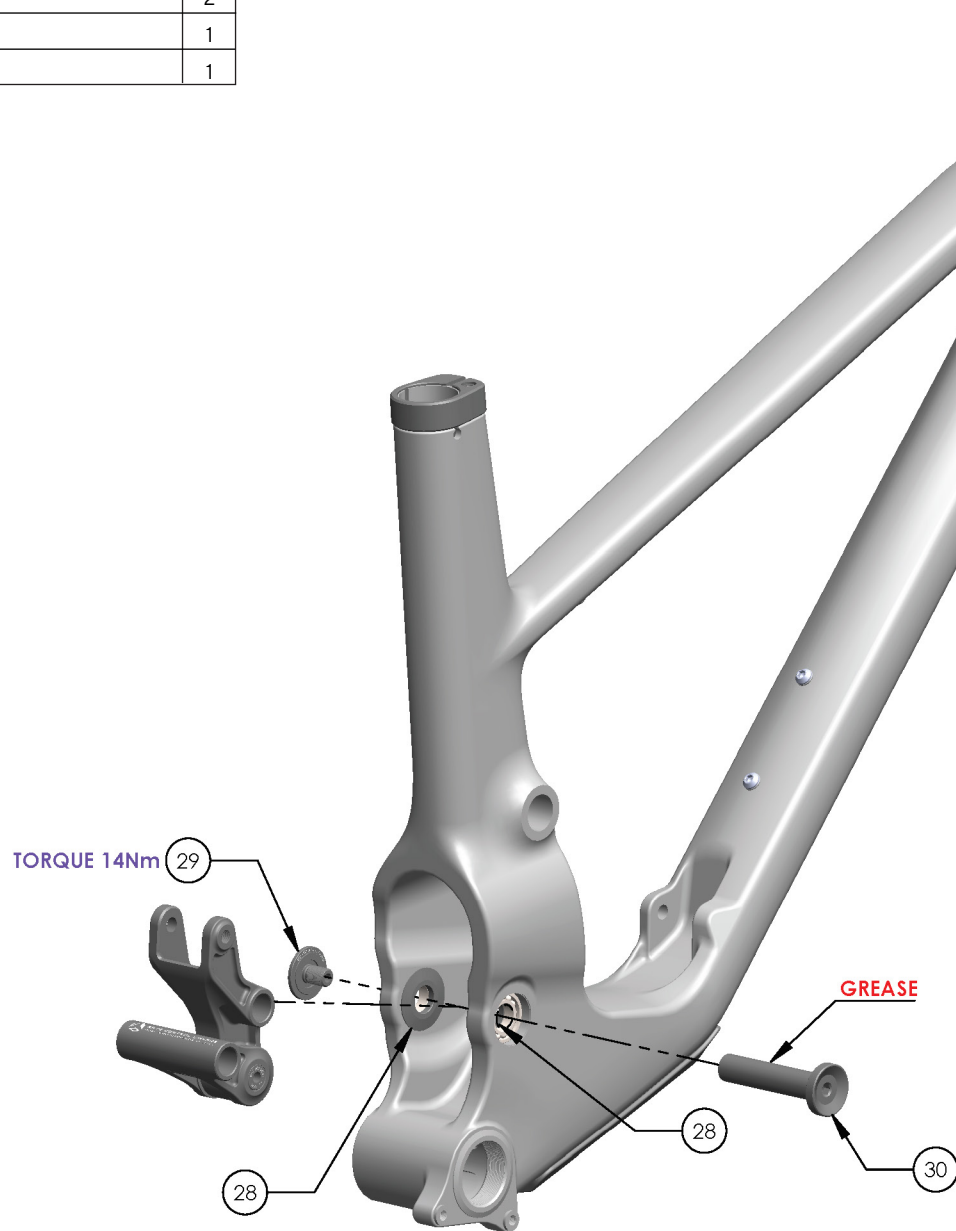


EXPLODED VIEW - V2.0

PAGE 8



ITEM NO.	DESCRIPTION	QTY
28	002.004.0006	2
29	002.002.0003	1
30	002.001.0005	1

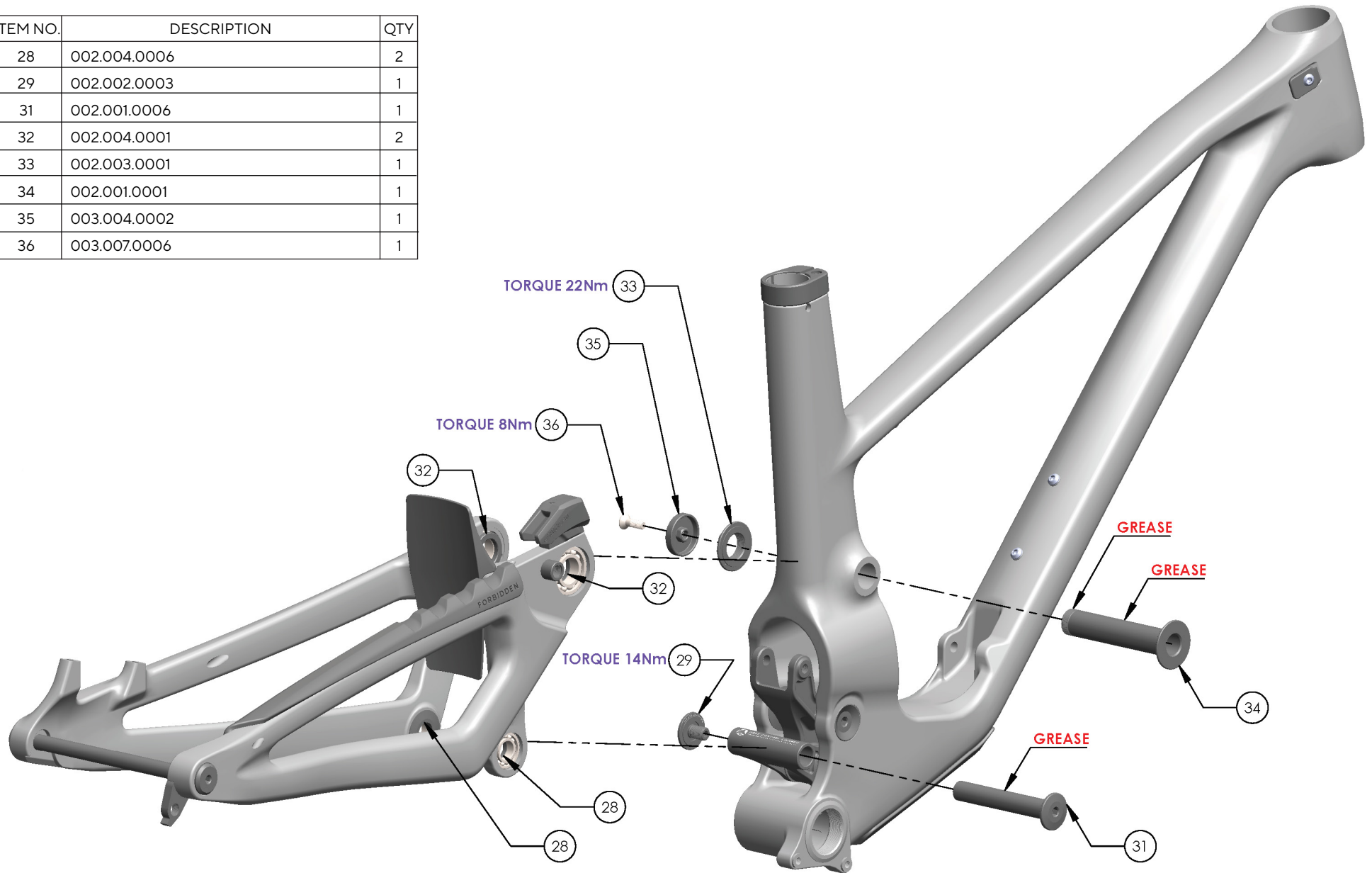


EXPLODED VIEW - V2.0

PAGE 9



ITEM NO.	DESCRIPTION	QTY
28	002.004.0006	2
29	002.002.0003	1
31	002.001.0006	1
32	002.004.0001	2
33	002.003.0001	1
34	002.001.0001	1
35	003.004.0002	1
36	003.007.0006	1

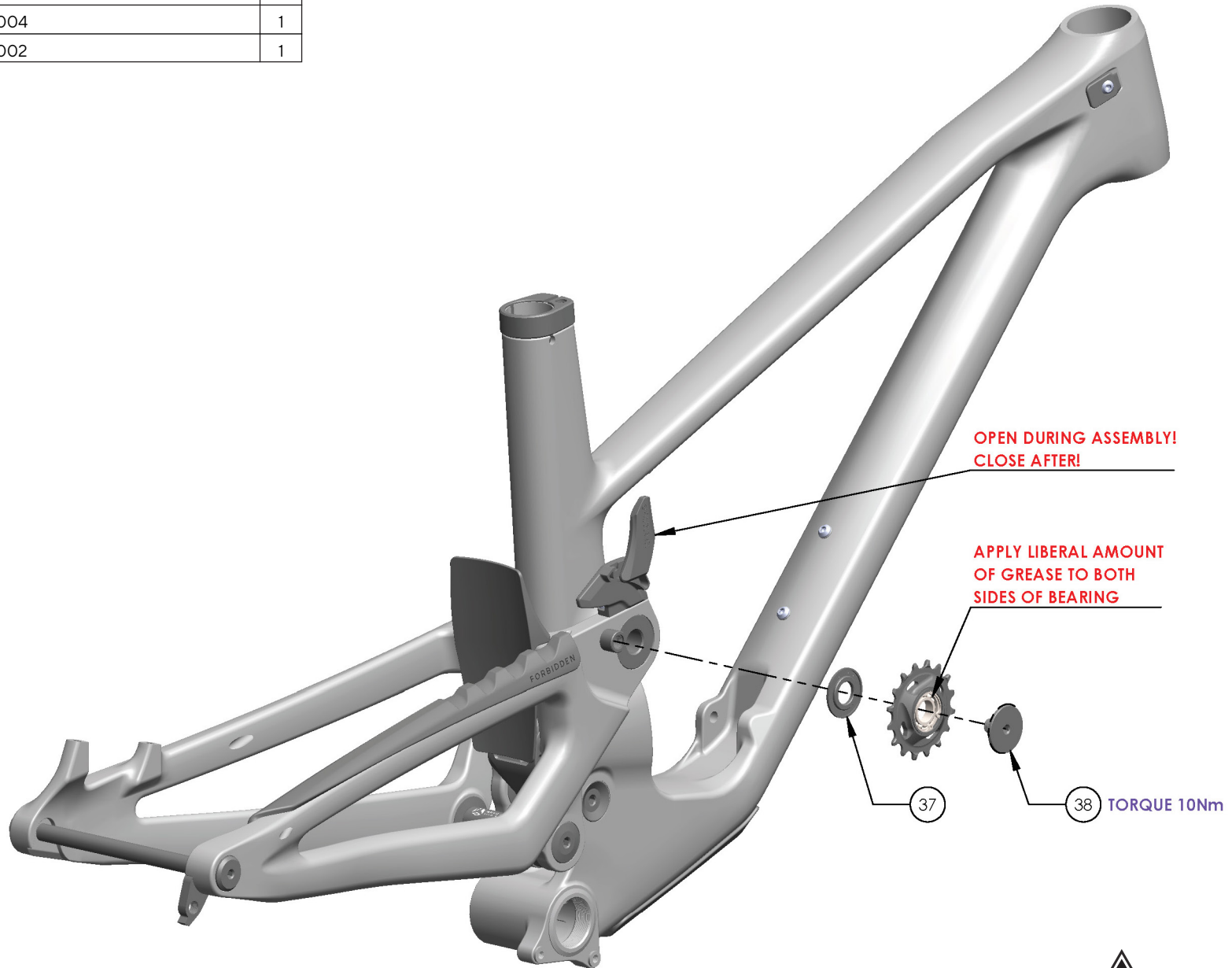


EXPLODED VIEW - V2.0

PAGE 10



ITEM NO.	DESCRIPTION	QTY
37	003.001.0004	1
38	003.001.0002	1



EXPLODED VIEW - V2.0

PAGE 11



ITEM NO.	DESCRIPTION	QTY
41	003.007.0004	2

