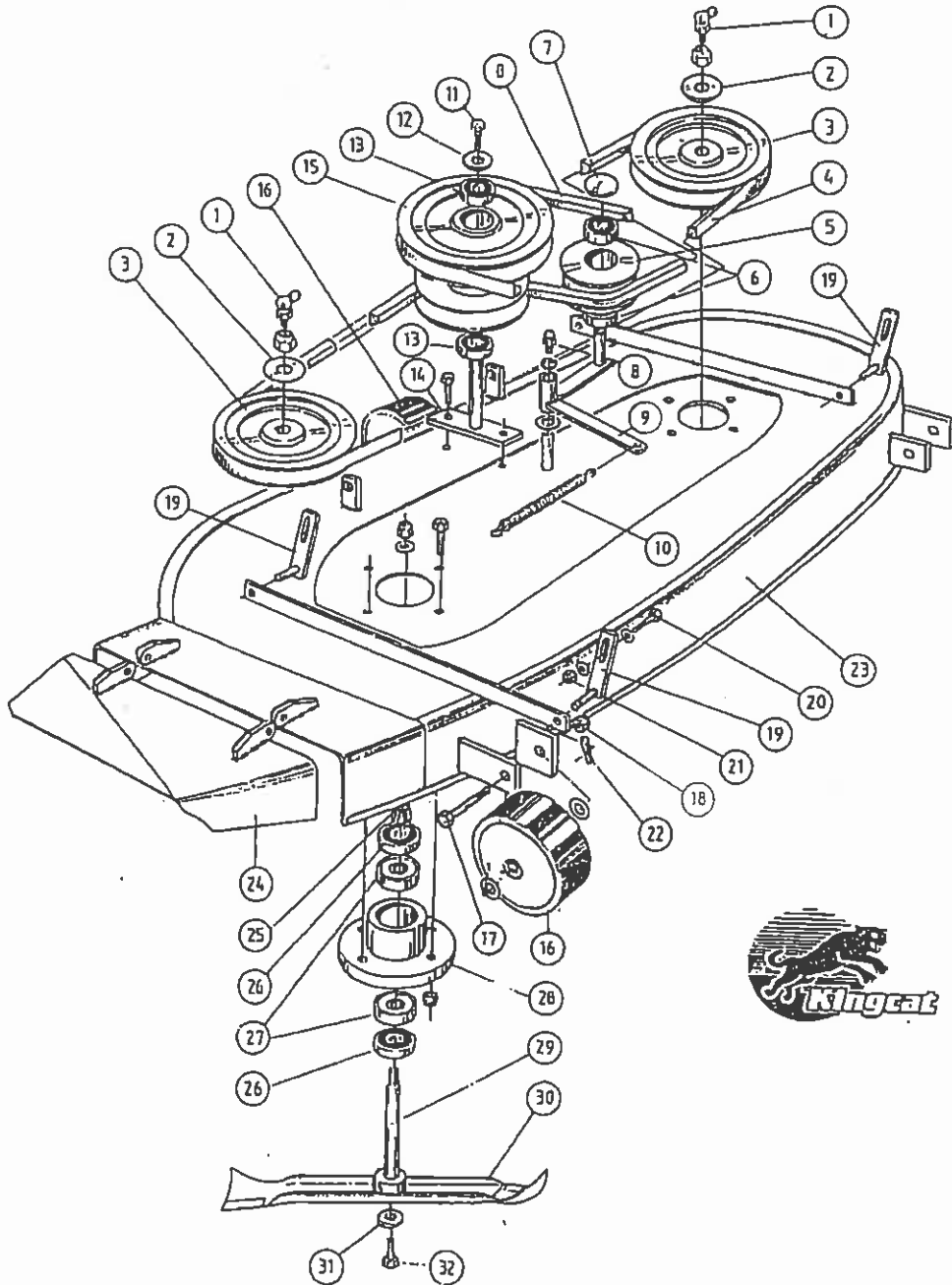


Deck Assy - Leopard-Model 900 & 1100



PARTS LIST - DECK ASSY - MODEL 900 & 1100

1	750216	Nipple - Grease	
2	500176	Washer - Spindle	
3	850137	Pulley - Spindle	
4	750401	V Belt - Model 900	
	500327	V Belt - Model 1100	
5	500303	Jockey - Pulley - NLA use PIFBB02 & 500609	
	PIFBB02	Jockey - Pulley	
	500609	Adapter - Pulley Bush	
6	750242	Bearing - Idler Pulley - Early Models	
7	750382	Plug - Expansion - Early Models	
8	500375	V Belt - P.T.O. Belt - 3 Roller Deck	
	500494	V Belt - P.T.O. Belt - 4 Roller Deck	
9	500095	Arm - Tension	
10	750385	Spring - Tension Arm - Model 900 - Qty 1	
	750385	Spring - Tension Arm - Model 1100 - Qty 2	
11	750266	Screw - Set M10 x 30 HT	
12	750609	Washer	
13	750337	Bearing - Ball	
14	500191	Shaft Assy - Double Idler	
15	500115	Pulley Assy - Double Idler	
16	005478	End Cap - 70mm - 3 Roller Deck	
	500260	Tube - Roller - 70mm - 3 Roller Deck	
	500261	Axle - Roller - 70mm - 3 Roller Deck	
	502146	End Cap - 90mm - 4 Roller Deck	
	502095	Tube - Roller - 90mm - 4 Roller Deck	
	502164	Axle - Roller - 90mm - 4 Roller Deck	
17	500257	Bolt - M10 x 110 - 3 Roller Deck	
	502143	Bolt - M10 x 120 - 4 Roller Deck	
18	750127	Nut - Nyloc M10	
19	500127	Lug Assy - Pan Lift	
20	750139	Screw - Set M10 x 35	
21	750127	Nut - Nyloc - M10	
22	750324	Clip - "R"	
23	500610	Deck - Model 900 - 4 Roller Deck	
	500218	Deck - Model 900 - 3 Roller Deck	NLA
	500611	Deck - Model 1100 - 4 Roller Deck	
	500284	Deck - Model 1100 - 3 Roller deck	NLA
24	500233	Flap Assy - Model 900	
	500289	Flap Assy - Model 1100	
25	500111	Bush - Taper	
26	750282	Seal - Spindle	
27	750338	Bearing	
28	500099	Housing - Spindle	
29	500323	Spindle Assy	
30	911181	Blade 18° - Model 900	- TURN UP
	912144	Blade 21° - Model 1100	
	500325	Blade - Heavy Duty - Model 900	- FLAT
	500326	Blade - Heavy Duty - Model 1100	No TURN UP ON END
31	500106	Washer - Blade	
32	500324	Blade - Bolt	
	750303	Decal - Caution	2
	750128	Nut - Nyloc M16 - Spindle Assy - Early Model	2
	758153	Nut - Nyloc - Spindle Assy - Late Model	2
	751211	Washer Tapered - Early model	1
	750241	Bush - Tension Arm	2
	750207	Circlip - Tension Arm	1
	500175	Spacer - Spindle	2
	850086	Spacer - Blade - Spindle Bearings	2
	500241	Spacer - Double Idler	1
	751076	Spacer - Jockey Pulley - Early	1
	500315	Mulch Plate - Model 900	1
	500295	Mulch Plate - Model 1100	1
	500151	PMW ADJUSTOR (750130)	
	500496	(4 ROLLER DECK) ARM ASSY STABILIZER	
	500136	(3 ROLLER DECK) " " "	

20/03/00