

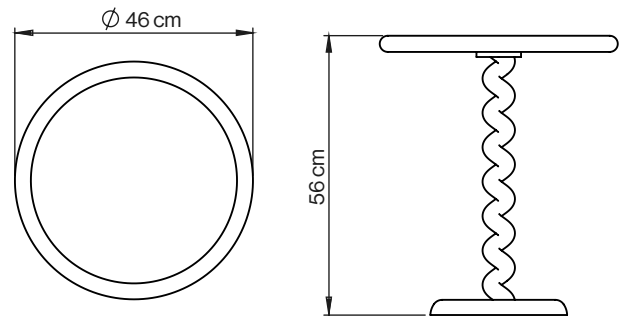
# pols potten



## Side table Twister

Fact Sheet

The Twister Side Table is a playful reimagination of our widely popular Classic Side Table, and it's the go-to accent piece you've been looking for. Its fat structure, and simple silhouette keep it fun and bold. No matter your style or décor, the Twister Side Table will effortlessly slot into your décor arrangement - it's a cheeky addition to your space.



<b>Design by</b>	pols potten studio 2022
<b>About the designer</b>	This item is designed in our very own pols potten studio
<b>Category</b>	Tables - Side tables
<b>Environment</b>	Indoor use only
<b>Preassembled</b>	No, top and feet must be assembled
<b>Material &amp; Finish</b>	Powder coated cast aluminium
<b>Gliders</b>	Yes
<b>Cleaning &amp; Care</b>	Care and maintenance instructions can be downloaded on the product page of this item at: <a href="http://webshop.polspotten.com">webshop.polspotten.com</a> or contact your account manager for more specific cleaning & care information.
<b>Spare parts</b>	No

## Packaging

Packed in a brown carton box 5-ply  
Size: 57 x 13 x 58 cm

## Downloads

3D files, mood images and packshots are available at the product page of the item at [polspotten.nl](http://polspotten.nl)

## Made-to-order

Please contact your account manager for a specific custom-made request.

## Test & Certifications

No

## Colours

390-070-111	390-070-112	390-070-113	390-070-119
Pink	Light blue	Deep blue	Black

