

# TOP-OF-POLE RACKS



## DESIGN FEATURES

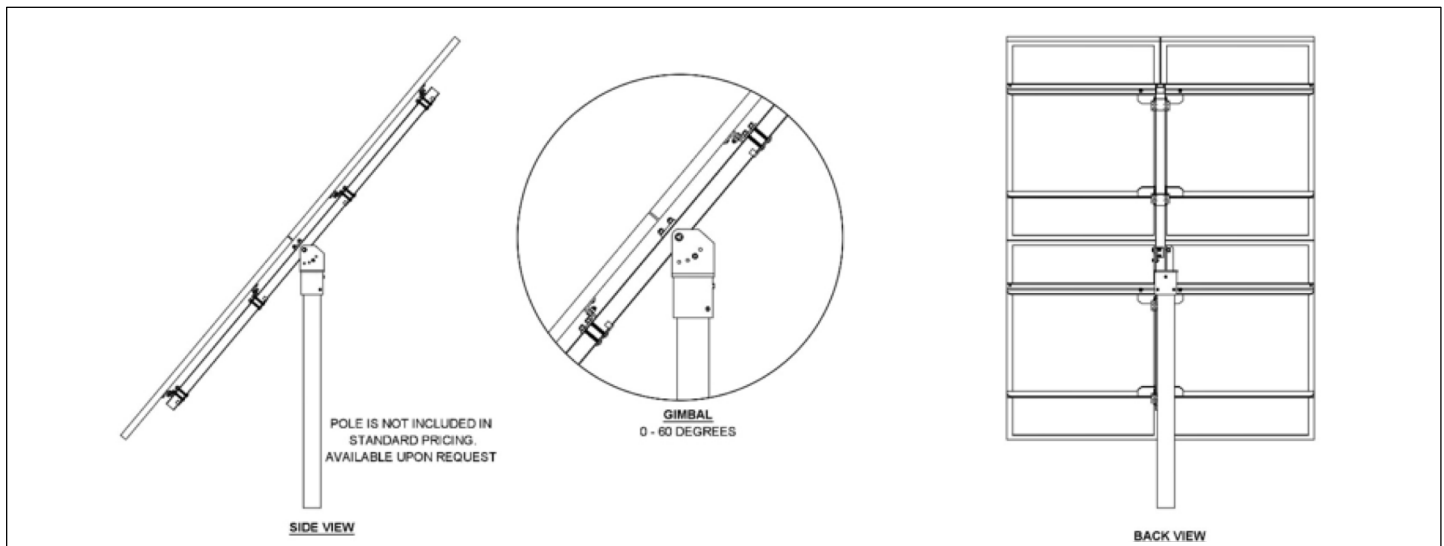
- Gimbals are powder-coated steel, strongbacks are galvanized steel
- Module rails are 6061-T6 structural aluminum extrusions
- Racks are module specific, designed to bottom-bolt using factory holes\*
- Seasonally adjustable from 0° to 60° in 10° increments
- Rail brackets are 6061-T6 structural aluminum angle
- Standard models are rated for 90mph wind loads, 130mph versions available\*\*

TPR	MODULE TYPE AND NOMINAL DIMENSIONS		
NUMBER OF MODULES	TYPE 14 32" x 62"	TYPE 18 39" x 66"	TYPE 21 39" x 77"
1	\$200 (2")*** model SR-TPR1-T14-*	\$220 (2") model SR-TPR1-T18-*	\$240 (2") model SR-TPR1-T21-*
2	\$420 (3") model SR-TPR2-T14-*	\$460 (3") model SR-TPR2-T18-*	\$540 (3") model SR-TPR2-T21-*
3	\$610 (4") model SR-TPR3-T14-*	\$710 (4") model SR-TPR3-T18-*	\$800 (4") model SR-TPR3-T21-*
4	\$740 (4") model SR-TPR4-14-*	\$840 (4") model SR-TPR4-T18-*	\$970 (6") model SR-TPR4-T21-*
6	\$1200 (6") model SR-TPR6-T14-*	\$1440 (6") model SR-TPR6-T18-*	\$1660 (6") model SR-TPR6-T21-*
8	\$1580 (6") model SR-TPR8-T14-*	\$1910 (6") model SR-TPR8-T18-*	\$2140 (8") model SR-TPR8-T21-*
9	\$1810 (6") model SR-TPR9-T14-*	\$2110 (8") model SR-TPR9-T18-*	\$2300 (8") model SR-TPR9-T21-*
10	\$2150 (8") model SR-TPR10-T14-*	\$2710 (8") model SR-TPR10-T18-*	\$3040 (8") model SR-TPR10-T21-*
12	\$2610 (8") model SR-TPR12-T14-*	\$2970 (8") model SR-TPR12-T18-*	\$3320 (8") model SR-TPR12-T21-*

\* Please specify the actual module to be mounted.

\*\*Add 25% for the 130mph upgrade.

\*\*\*The number in ( ) after the price is the size of the mounting pole the rack is made to fit over. Mounting poles are steel pipe, either Schedule 40 or 80. Steel pipe is specified by the nominal ID of the pipe. The mounting pole is supplied by the installer.



*We specialize in custom fabrication. Please contact us with your special requirements.*

## SOLAR RACKWORKS

2615 Princeton Dr NE • Albuquerque, NM 87107 • 505-503-6459

Jeff Randall 505-288-5552 • jeff@solarrackworks.com

**HIGH-QUALITY MANUFACTURING WITH REASONABLE LEAD TIMES**

