



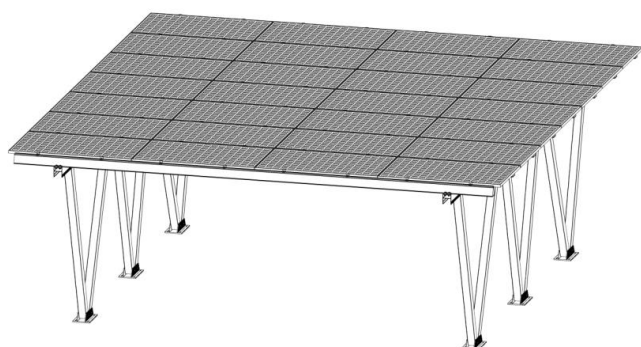
AIMS POWER™

www.aimscorp.net

CARPORT SOLAR PANEL STRUCTURE

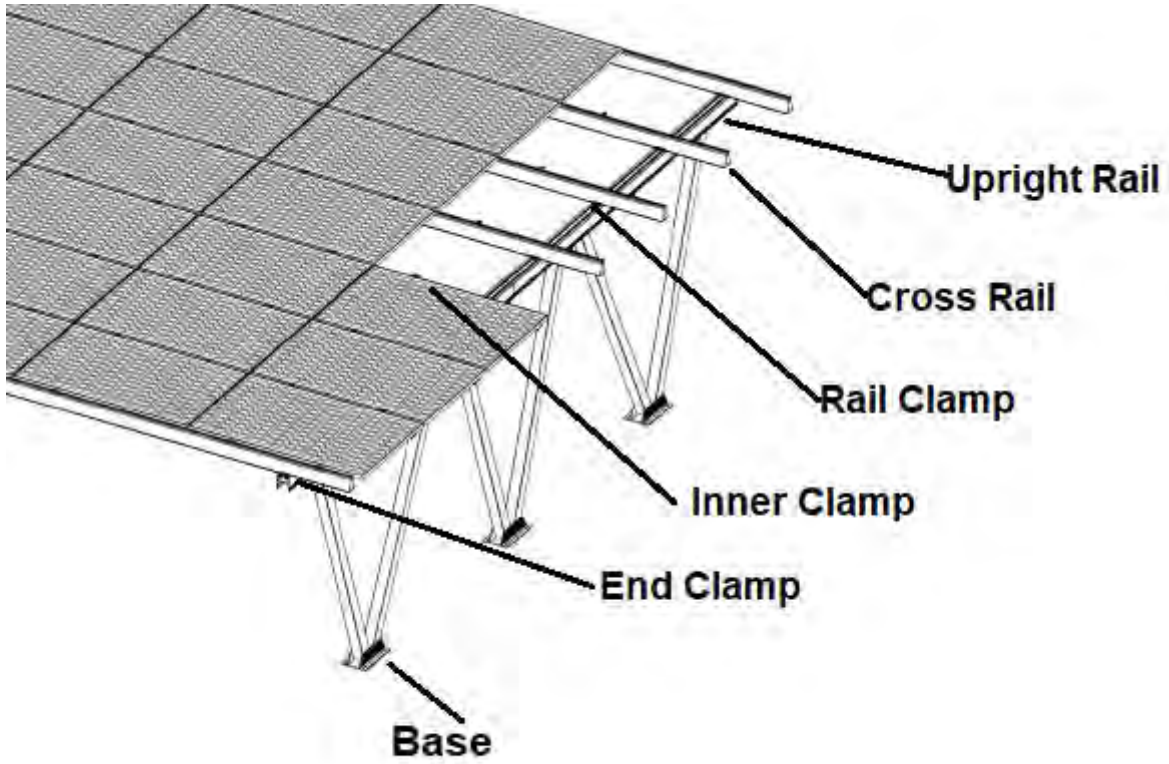
Fits up to 28 Panels

Installation Instructions

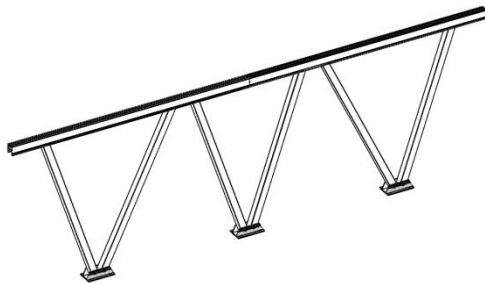


**PART #:
PV28XCARPORT**

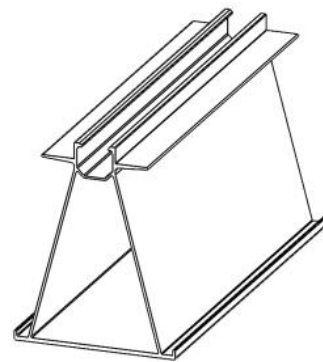
PARTS DESCRIPTION



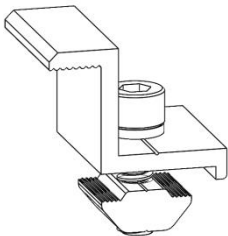
Upright, Leg & Base



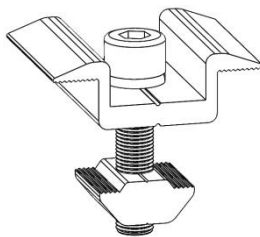
Cross Rail



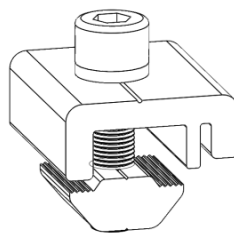
End Clamp



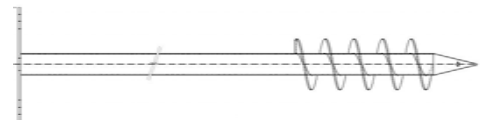
Inner Clamp



Rail Clamp



Ground Screw
Optional Add-on



M8



13



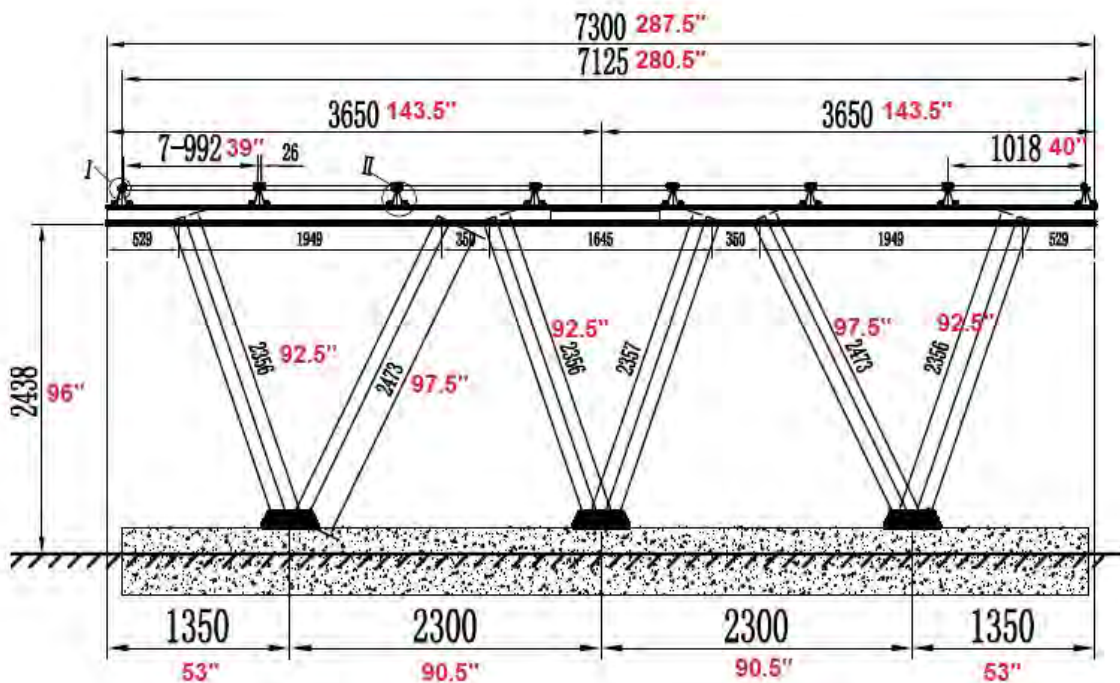
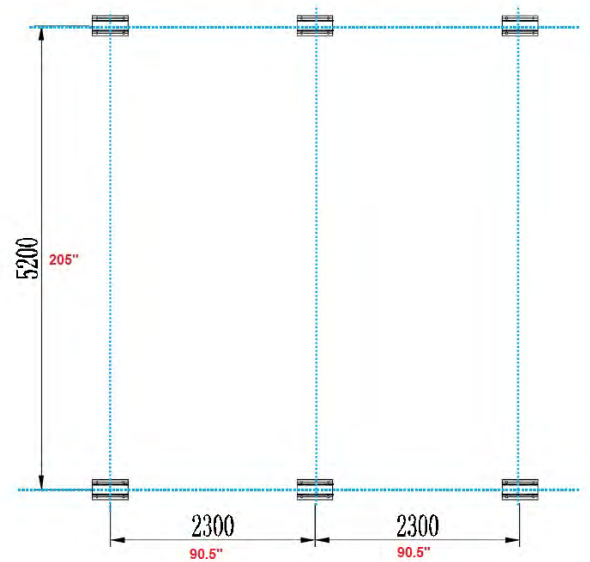
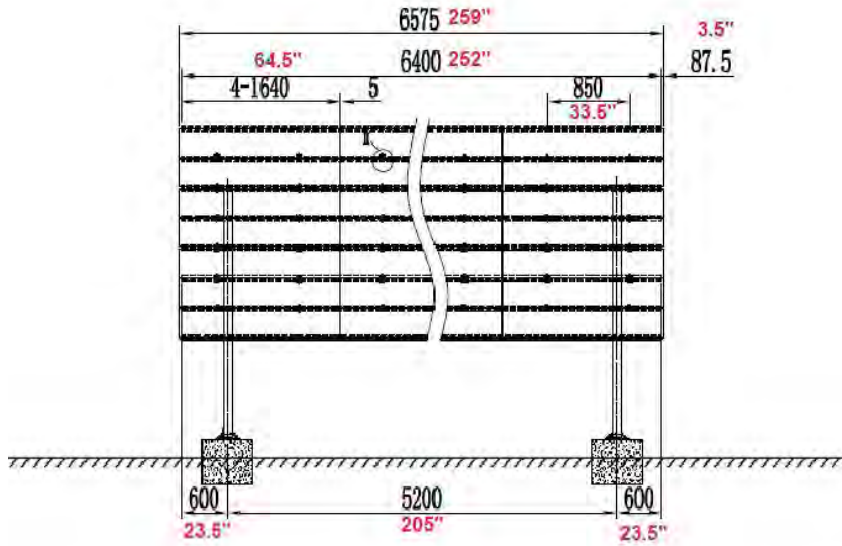
UNPACKING THE CRATE

Make sure you have received all parts according to this manual . Use proper safety gear and precautions when installing the solar carport structure. or questions contact AIMS Power technical department at 775-359-6703 or email at techsupport@aimscorp.net

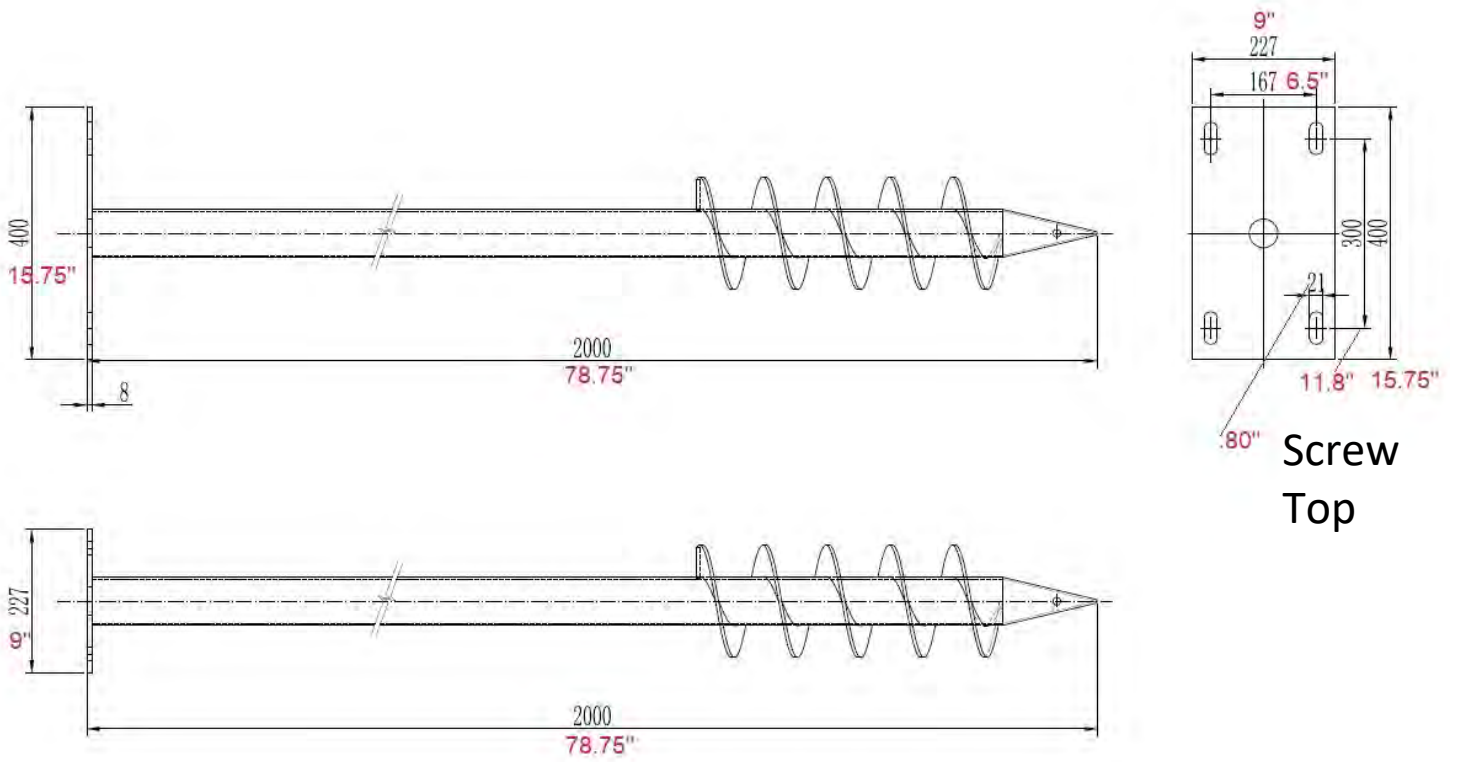
Installation Steps

Step 1. Planning the Layout

The carport structure may be installed directly into the ground or on a raised concrete base if extra height is needed. See page 14 for concrete base recommendation. The large ground screws (optional add-on and special order) must be kept at the same height and kept inline, spacing and span are subject to the technical drawing. Use below drawings to set concrete base. The most common installation is on concrete.

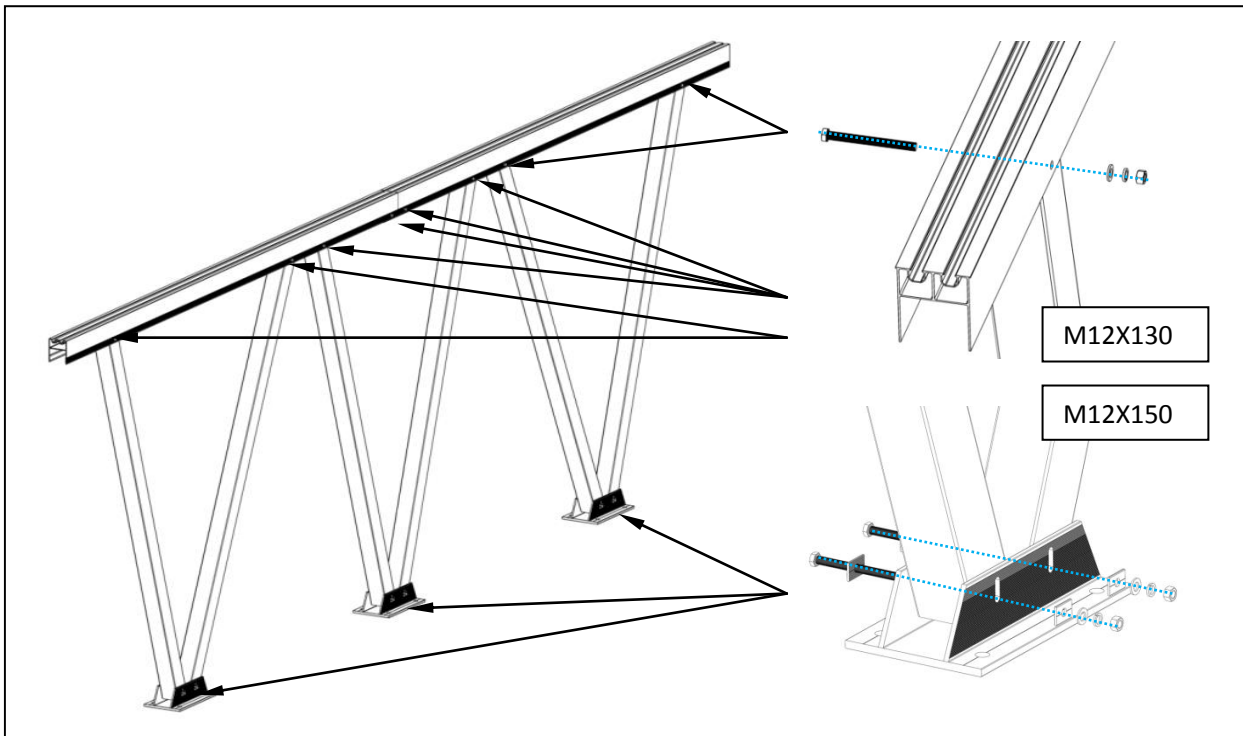


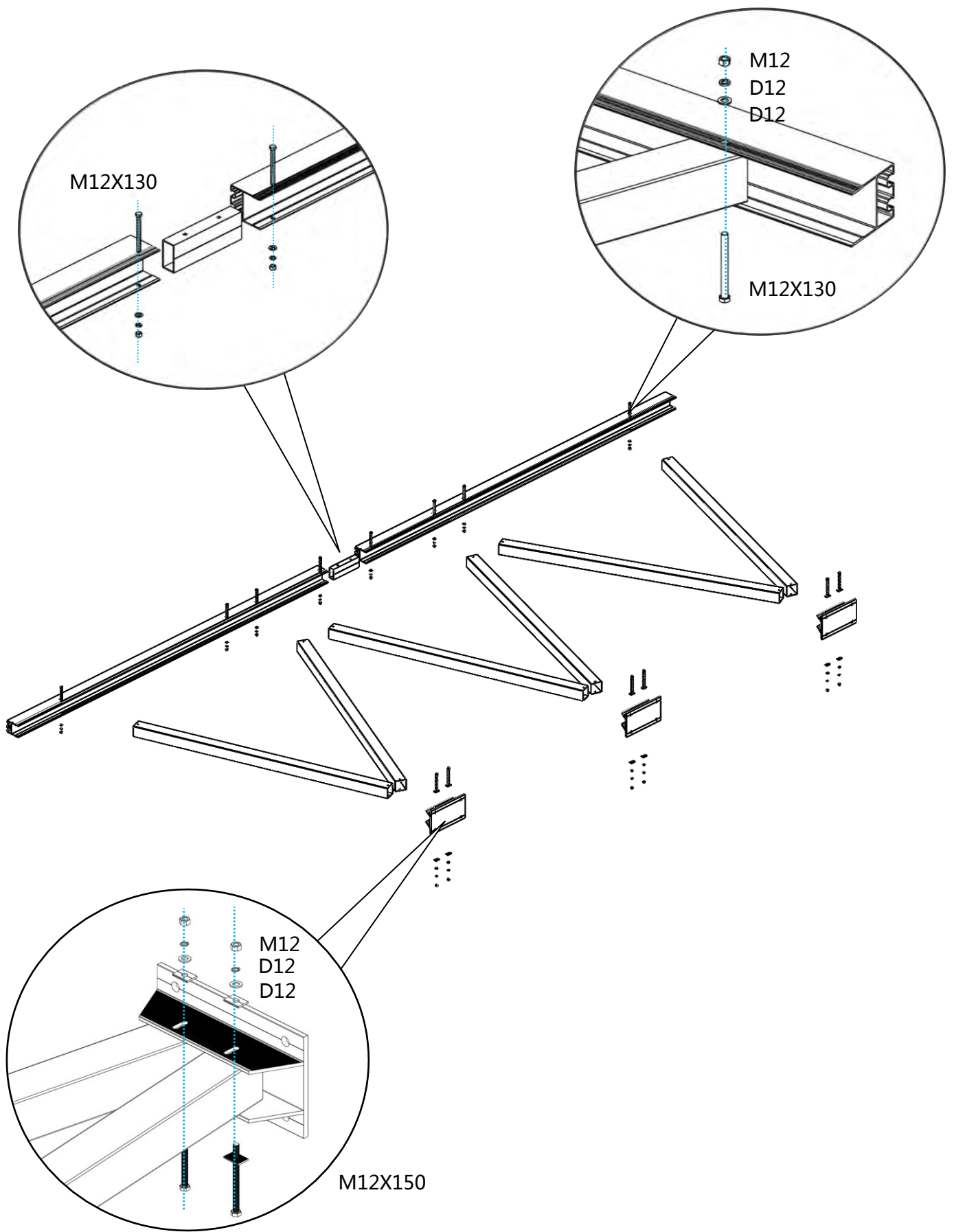
Note: When using optional ground screws, tilting and offset issues often occur during piling the ground screws. Ensure the pile driver attachment is vertically straight during drilling. Special order only.

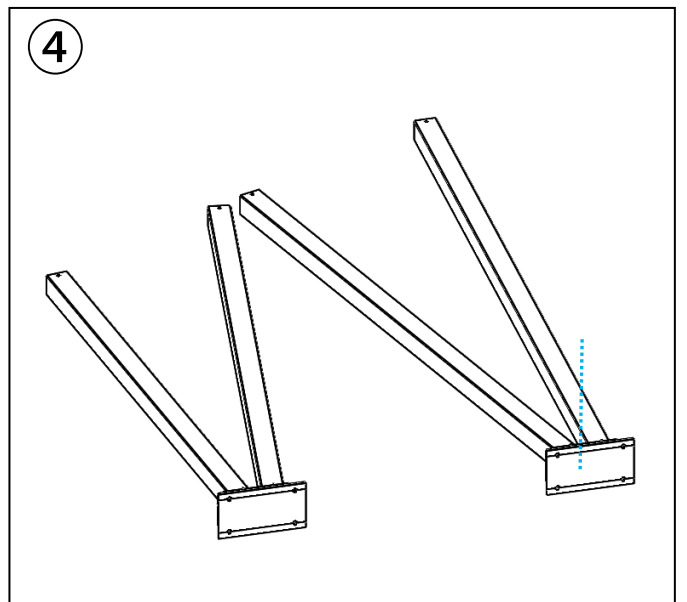
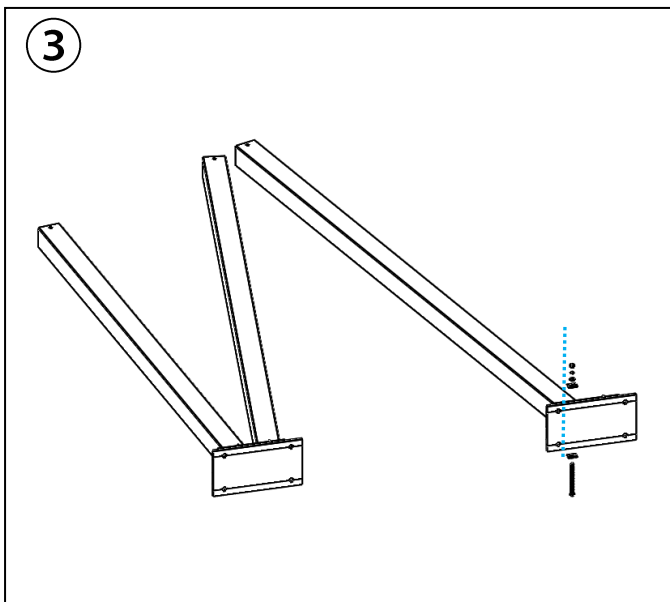
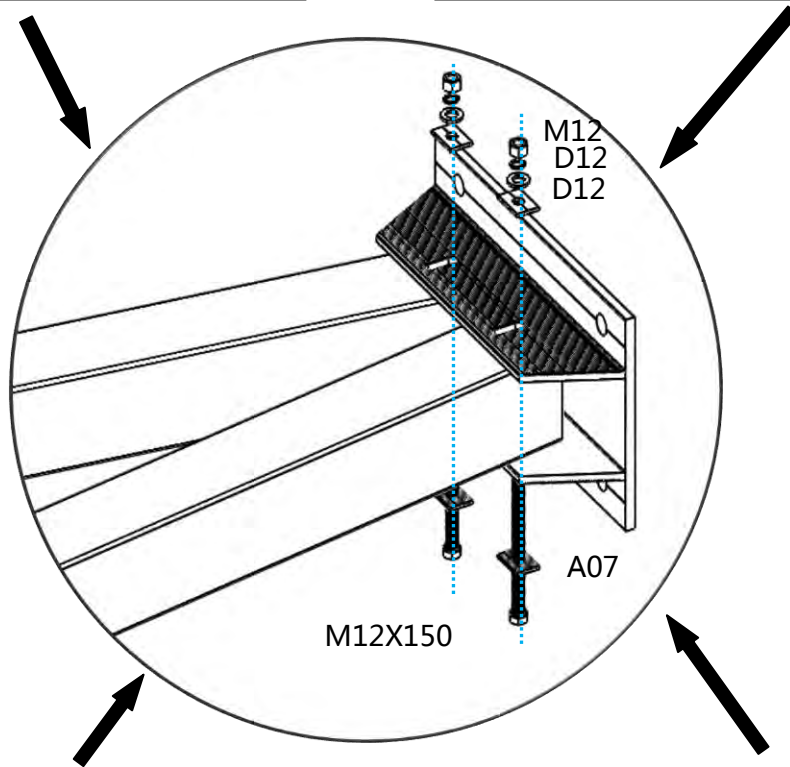
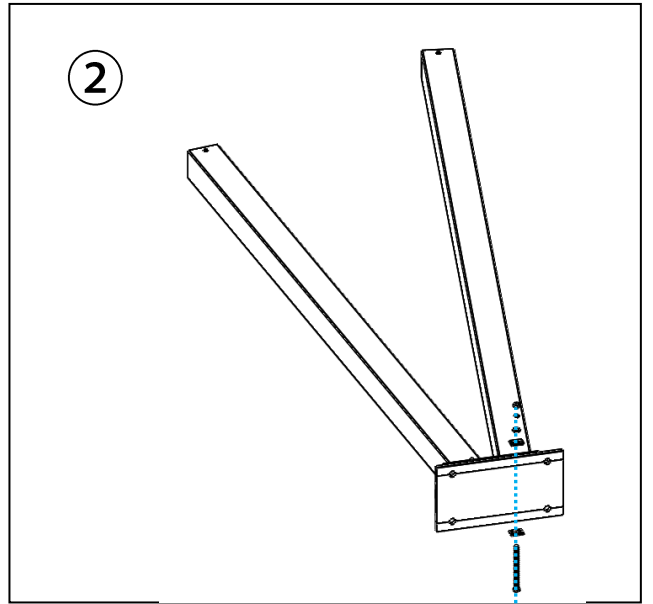
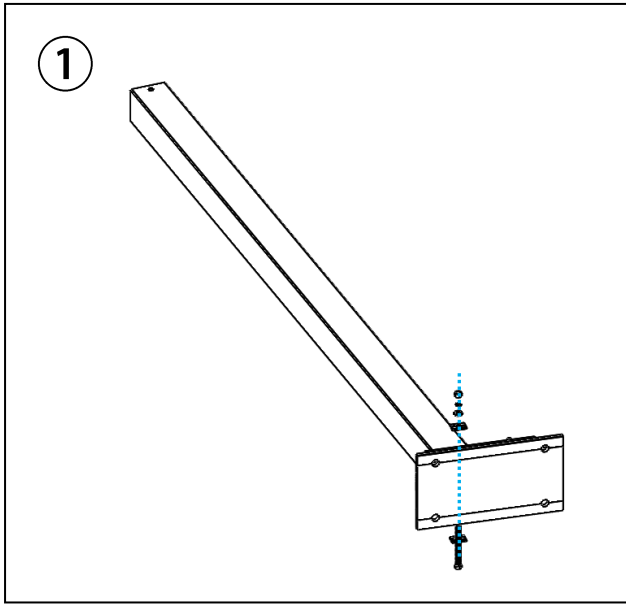


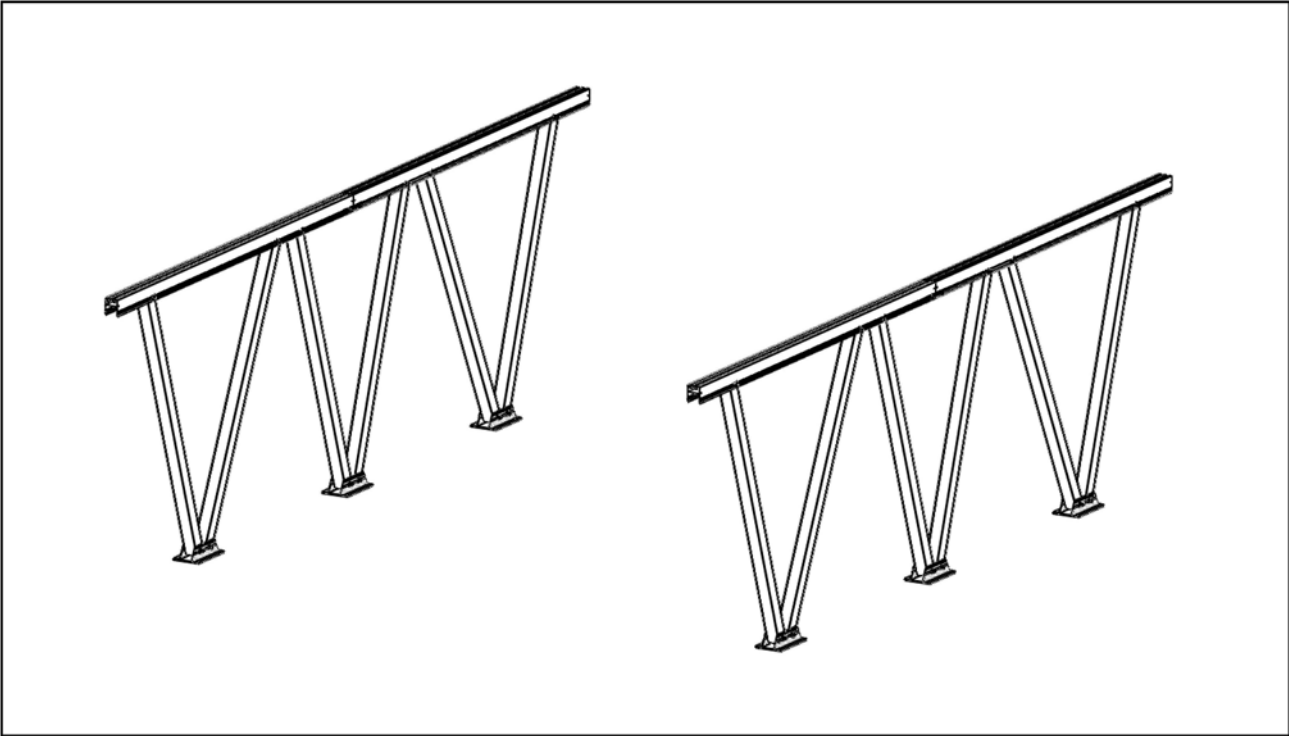
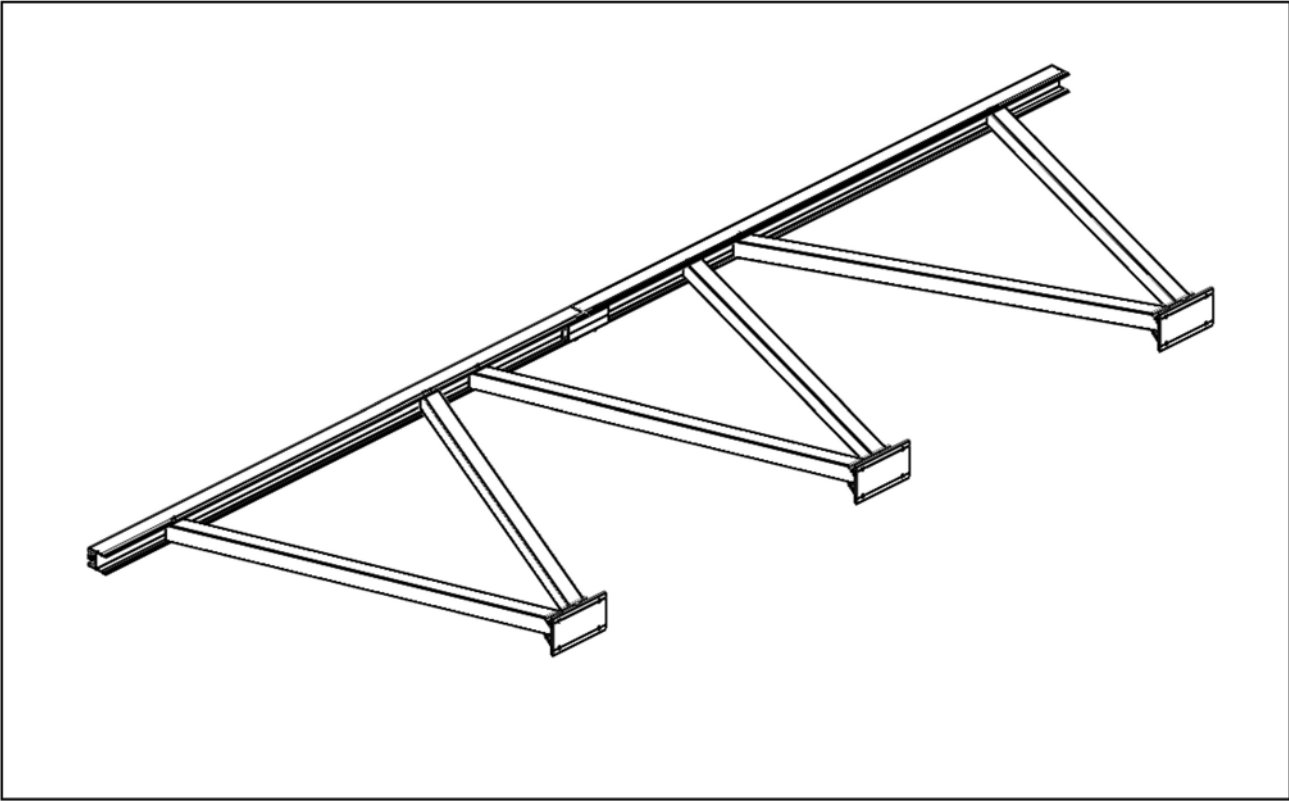
Step 2. Pre-assembly

Pre-assemble the base, legs and upright beam using the hex bolts and nuts per the drawing. Lift the pre-assembled support to the pre-made concrete base/ground and attach. Hardware to attach to a concrete base (or other material) is not included. The hardware used is based on the type of material used when mounting the carport structure. (Recommended torque value: 46-48N.m)

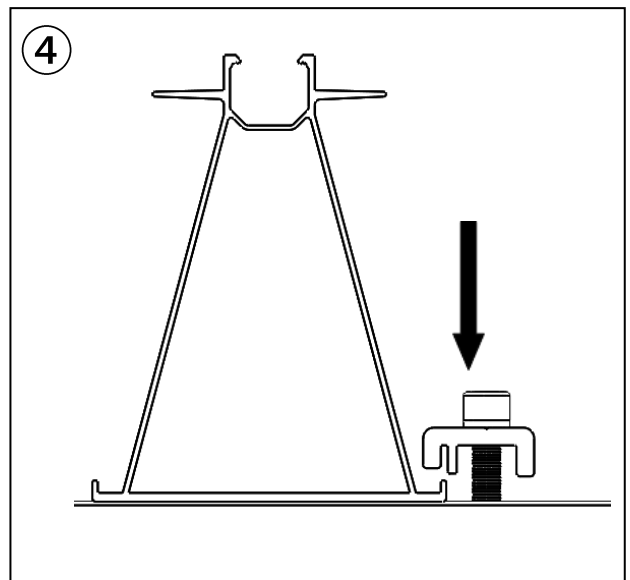
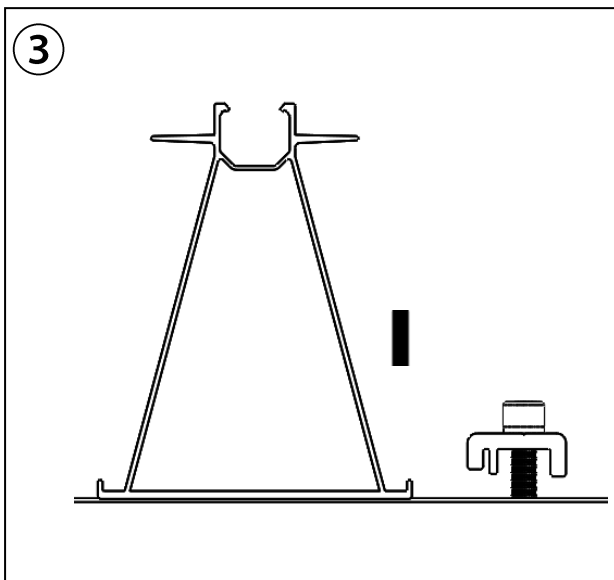
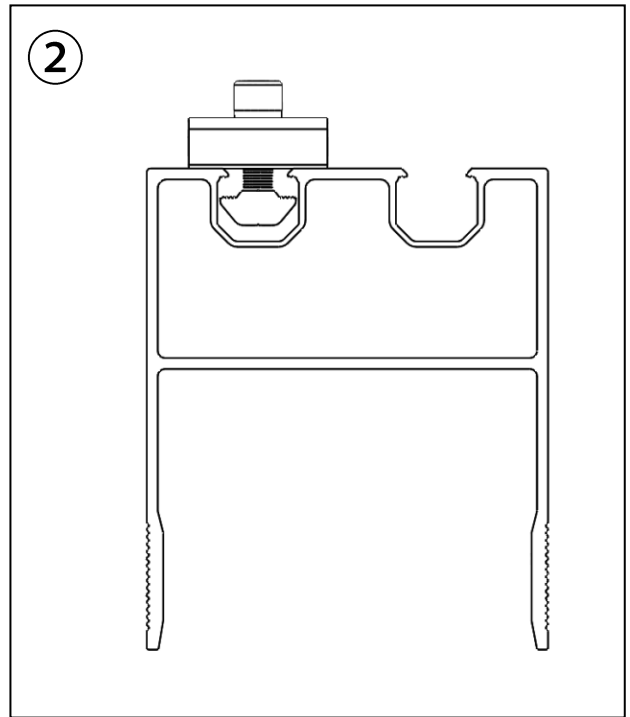
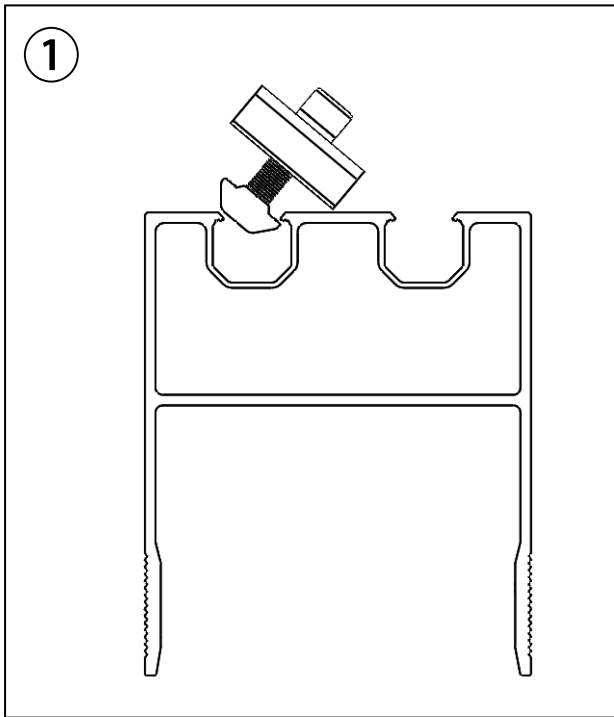
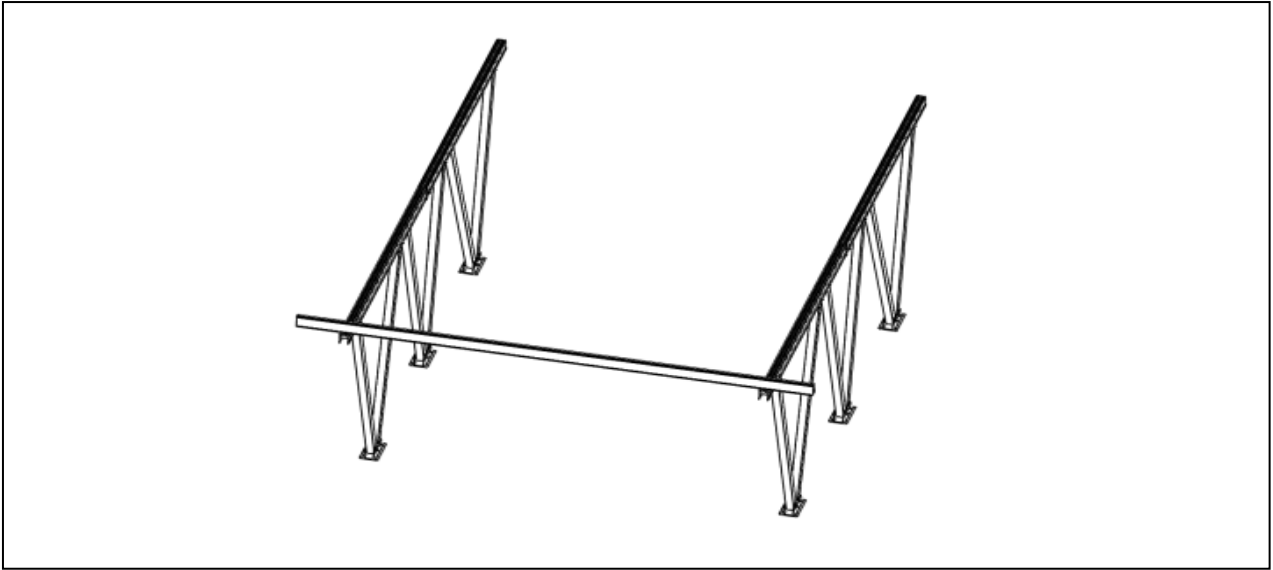


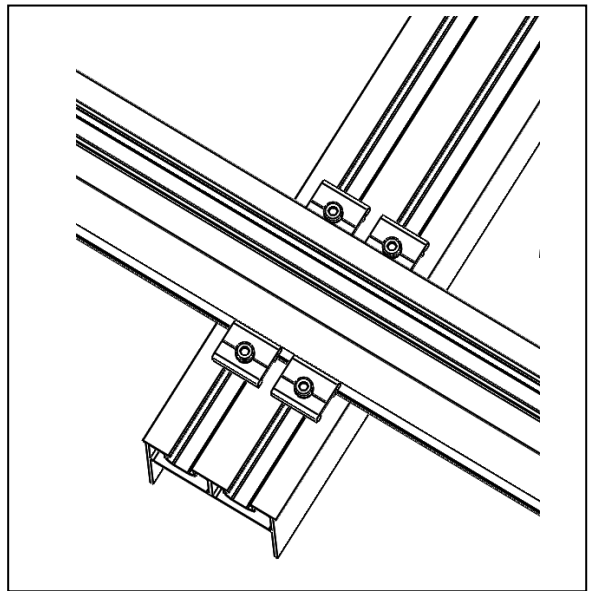
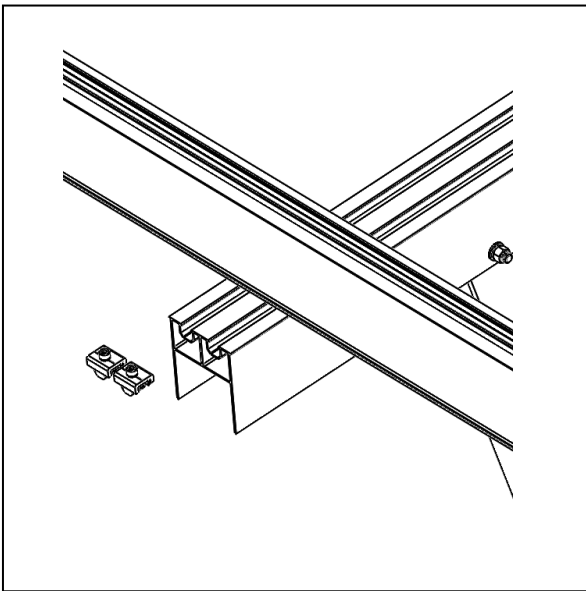
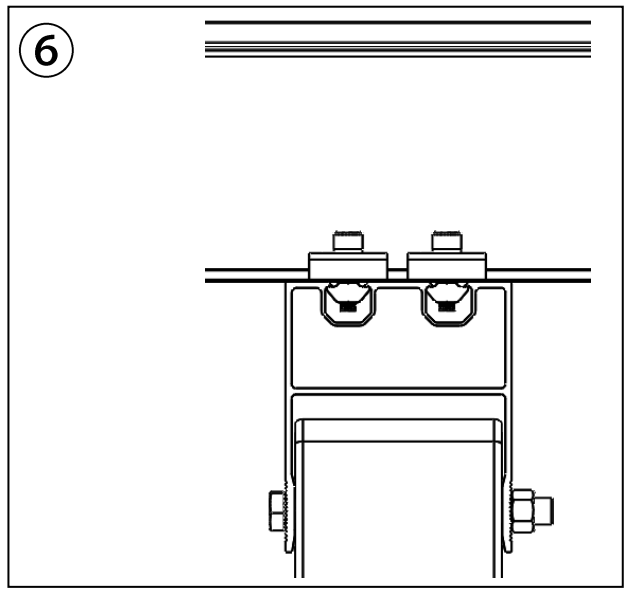
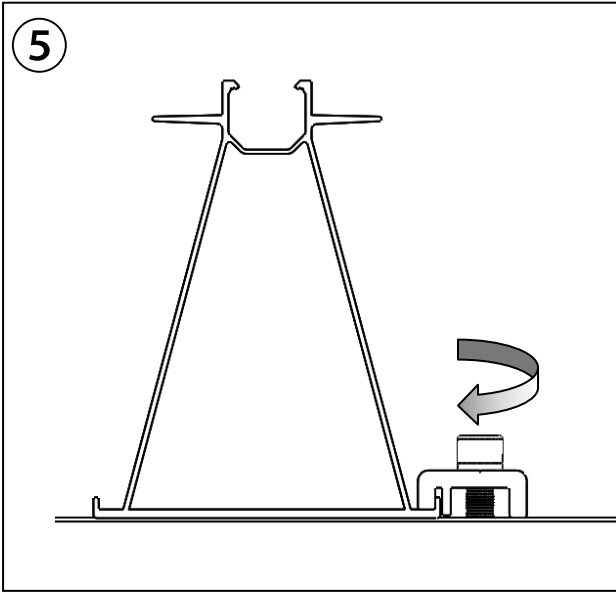




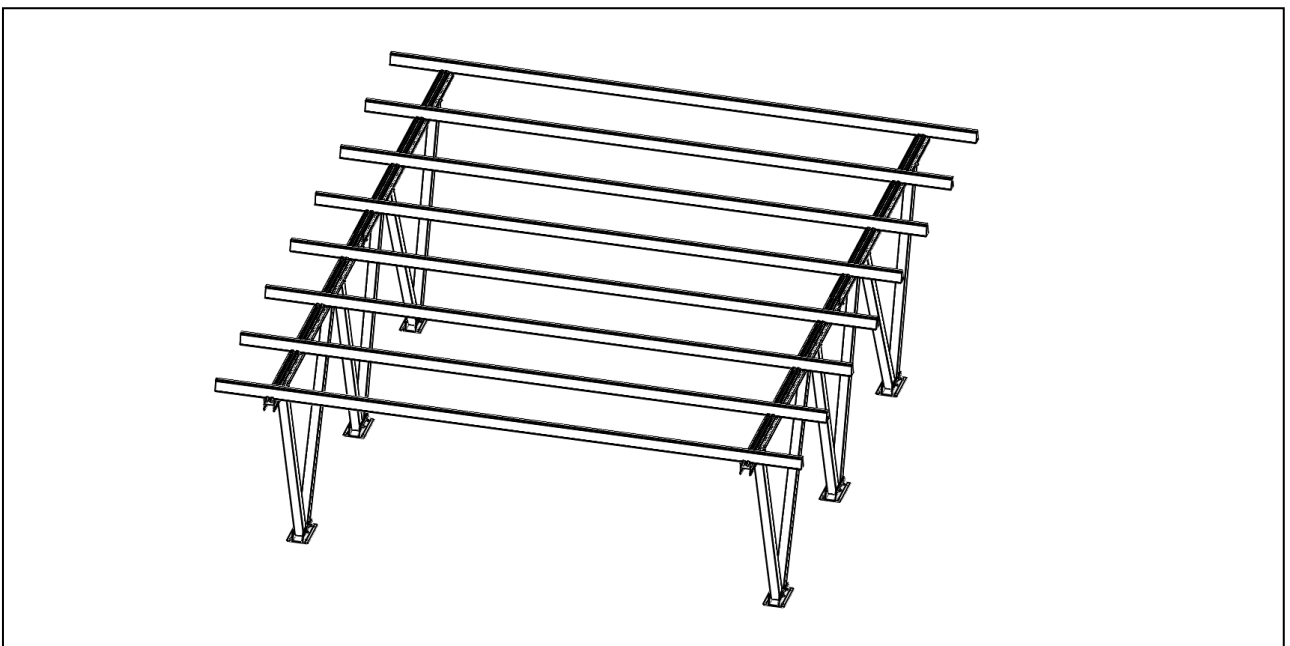


Step 3. Installation for Cross Rails

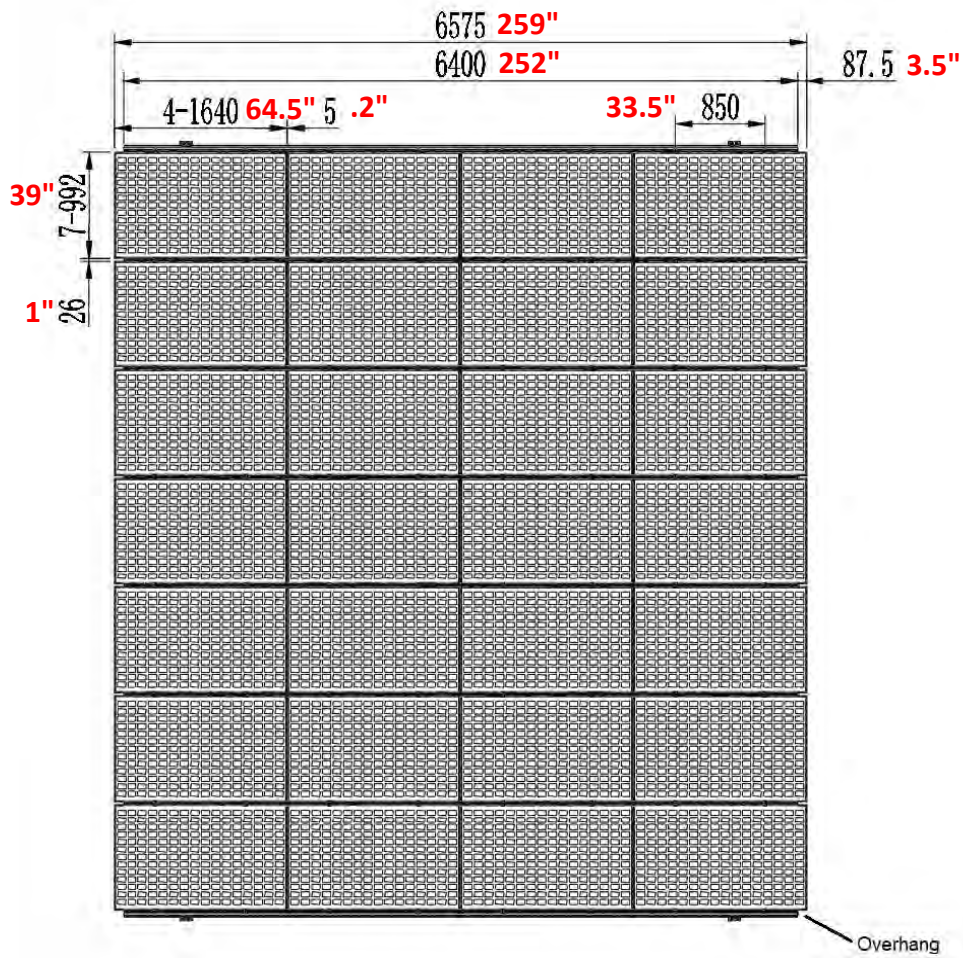




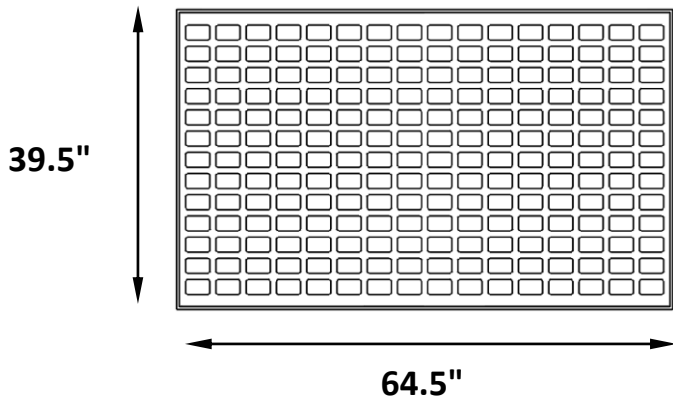
Repeat the above steps until all rails are attached. Ensure the rails are in alignment.



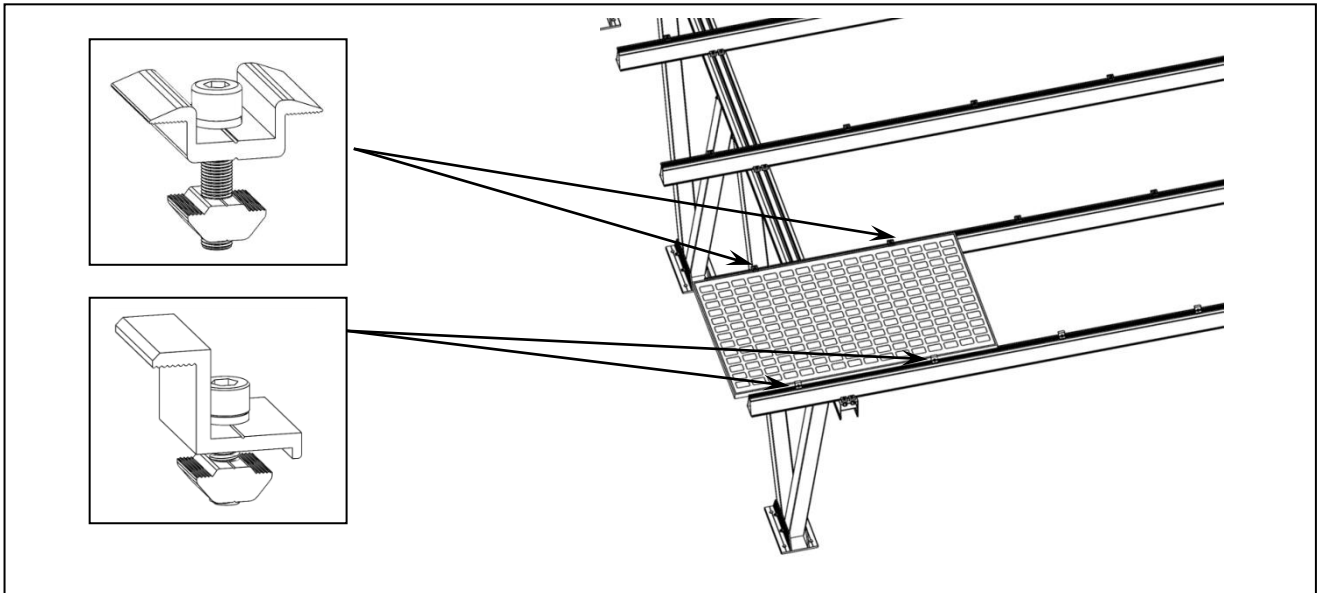
Step 5. Installation for Solar Panels



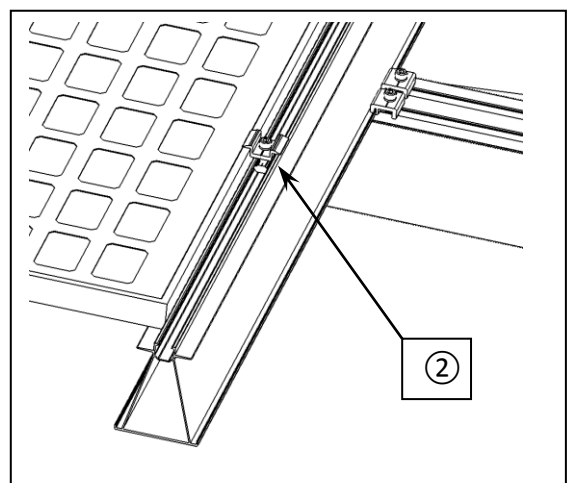
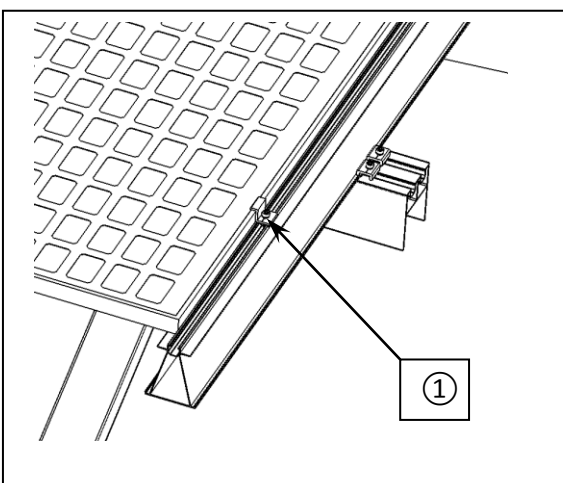
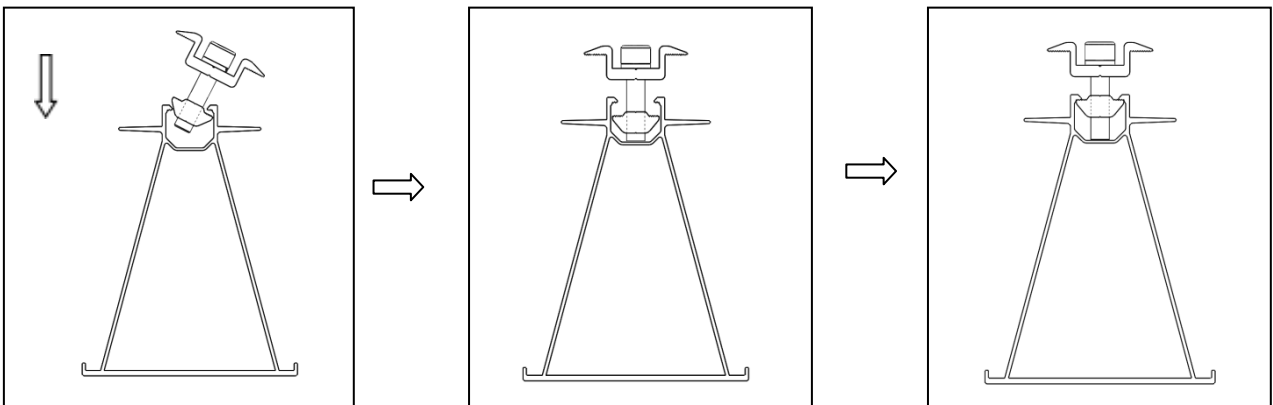
This structure allows for overhang to accommodate panels longer than 64.5".



When installing the first panel, adjust the position of the solar panel according to the technical drawings, fix the panel on the rails with the panel clamps.

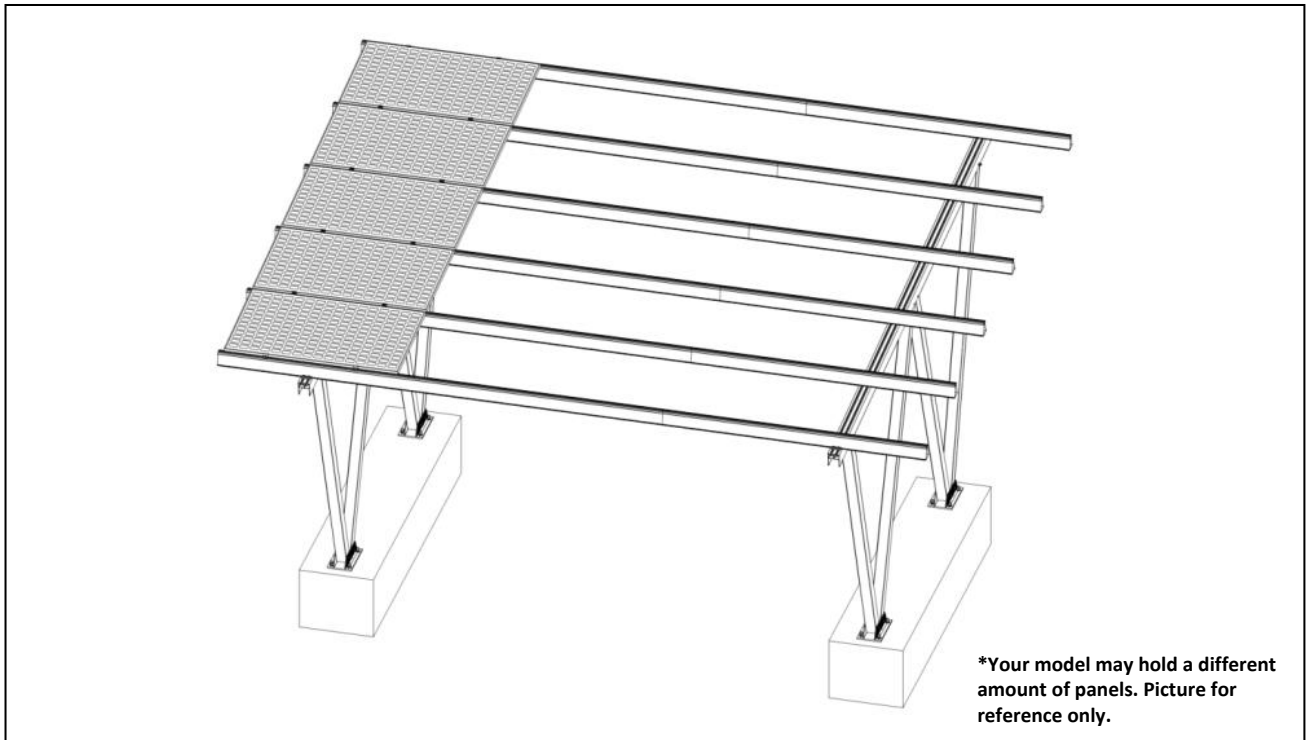


©The figure below shows how the panel clamps are attached. (The rail clamps are installed in the same way.)

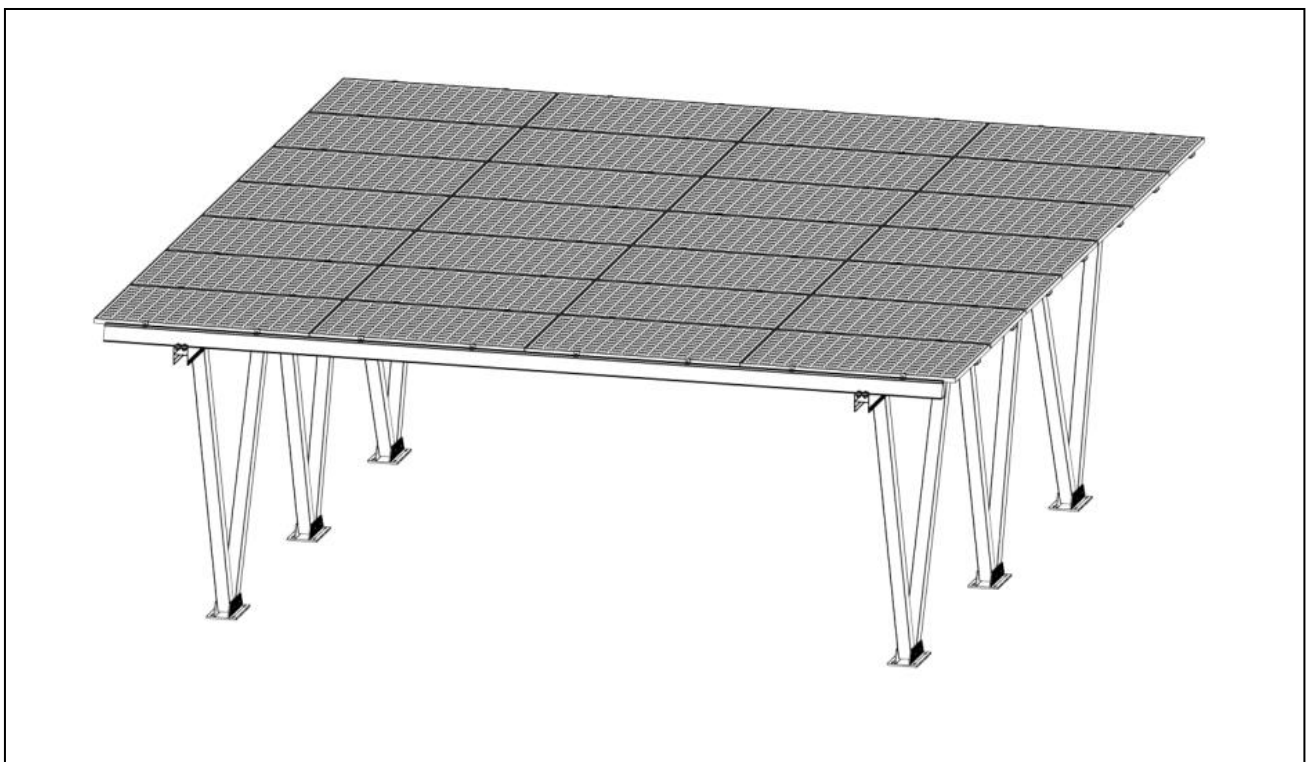


Attention:

1. Hold the clamp against the solar panel.
2. Slowly tighten the bolt until the clamp is in position.
3. Then use 12-14N.M torque to tighten the bolt.

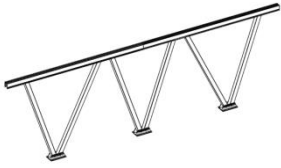
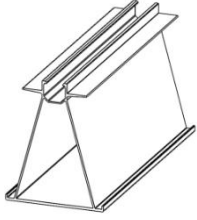
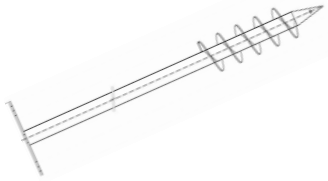
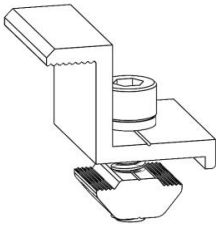
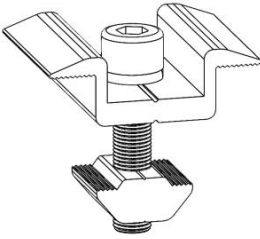
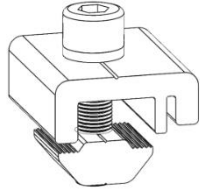


© Install panels by row (vertical direction), allowing 3/4" gaps between each row.

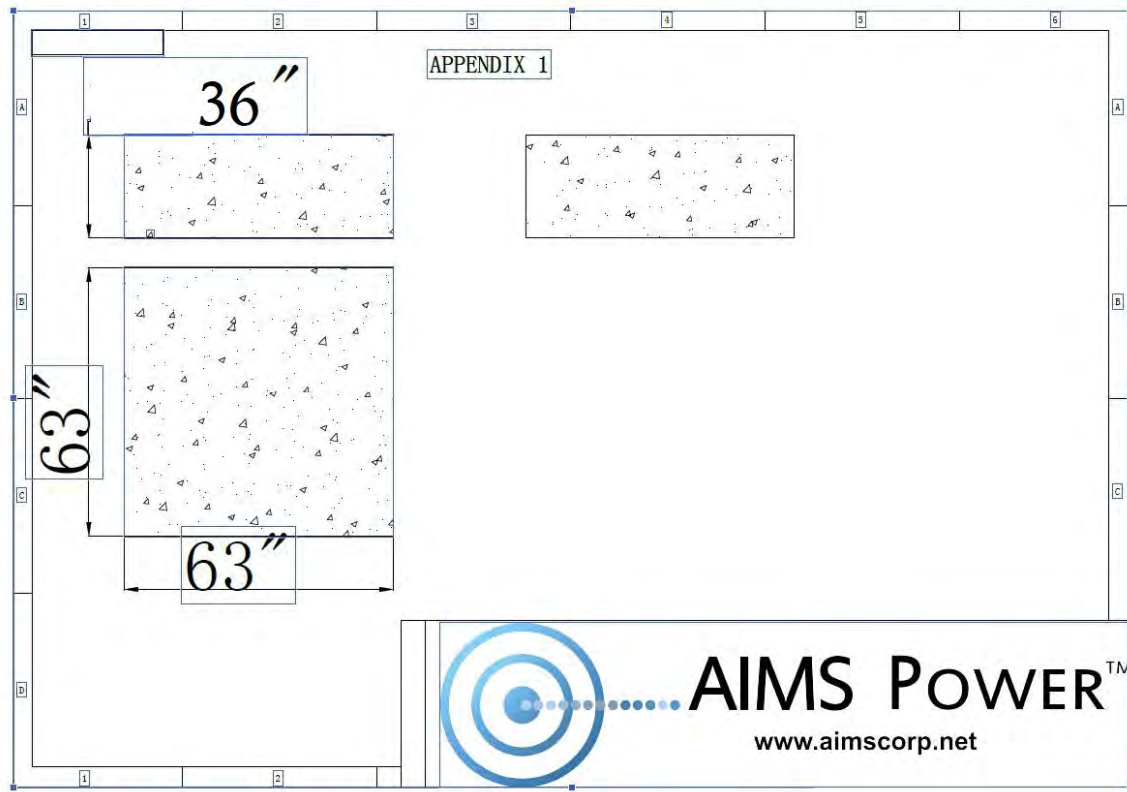


© Once all panels are attached, double check that all bolts are securely tightened.

COMPONENTS

Part name	Base, Legs Upright	Cross Rail	Ground Screws
Part No.	CPSA-01	RA-GHR-0000	
Figure	 <p style="text-align: right;">QTY 2</p>	 <p style="text-align: right;">QTY 8</p>	 <p style="text-align: center;">OPTIONAL - SPECIAL ORDER</p>
Part name	Select End Clamp	Select Inner Clamp	Tri Rail Clamp
Part No.	PC-ECH00-NS2	PC-ICH00-NS2	RC-GHR-NS2
Figure	 <p style="text-align: right;">QTY 16</p>	 <p style="text-align: right;">QTY 48</p>	 <p style="text-align: right;">QTY 64</p>

CONCRETE BASE RECOMMENDATION



AIMS POWER™

9550 Gateway Drive

Reno, NV 89521

T: 775-359-6703

Email: sales@aimscorp.net

www.aimscorp.net