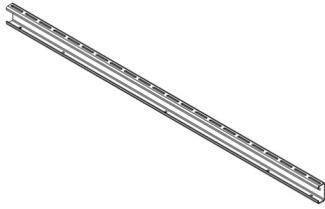


SunWize Power & Battery Mount Installation Guide Small Format Side of Pole

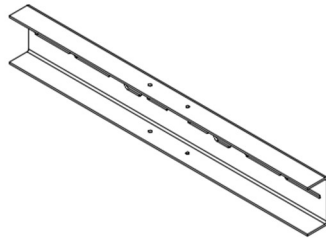


Included Parts:

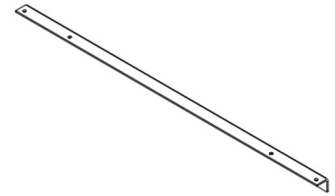
A) 2x Module Rail



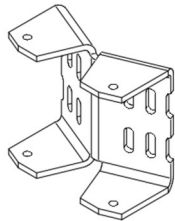
B) 2x Saddle Bracket



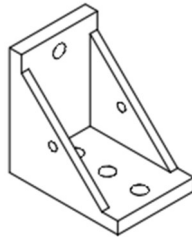
C) 2x Tilt leg



D) 2x Easy Mount Bracket



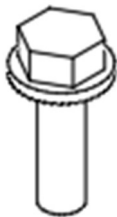
E) 4x Angle Bracket



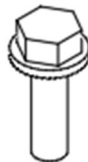
F) 4x Band Clamp



G) 5/16" Flange Bolt



H) 1/4" Flange Bolt



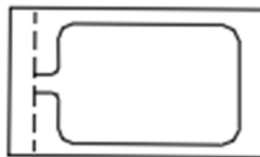
I) 5/16" Flange Nut



J) 1/4" Flange Nut

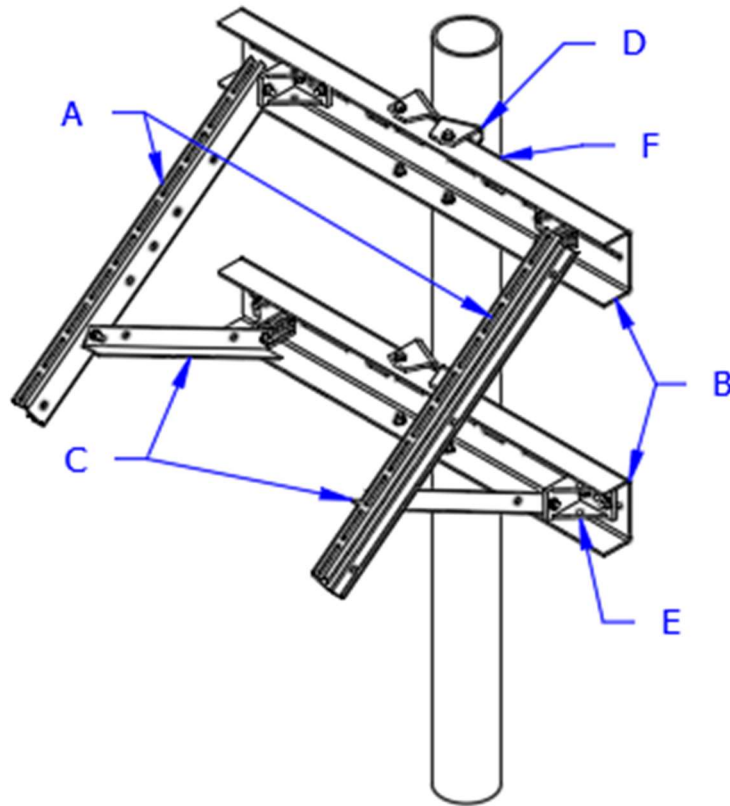


K) 1x Anti-Seize Packet



27.5" Module Rail SOP Mount Specifications

Part #	Rail Length (inches)	Pipe Size Dia (SCH 40)	Max Module Qty. (Small Format)
240044	27.5	2-6	1
240047	27.5	8-10	1



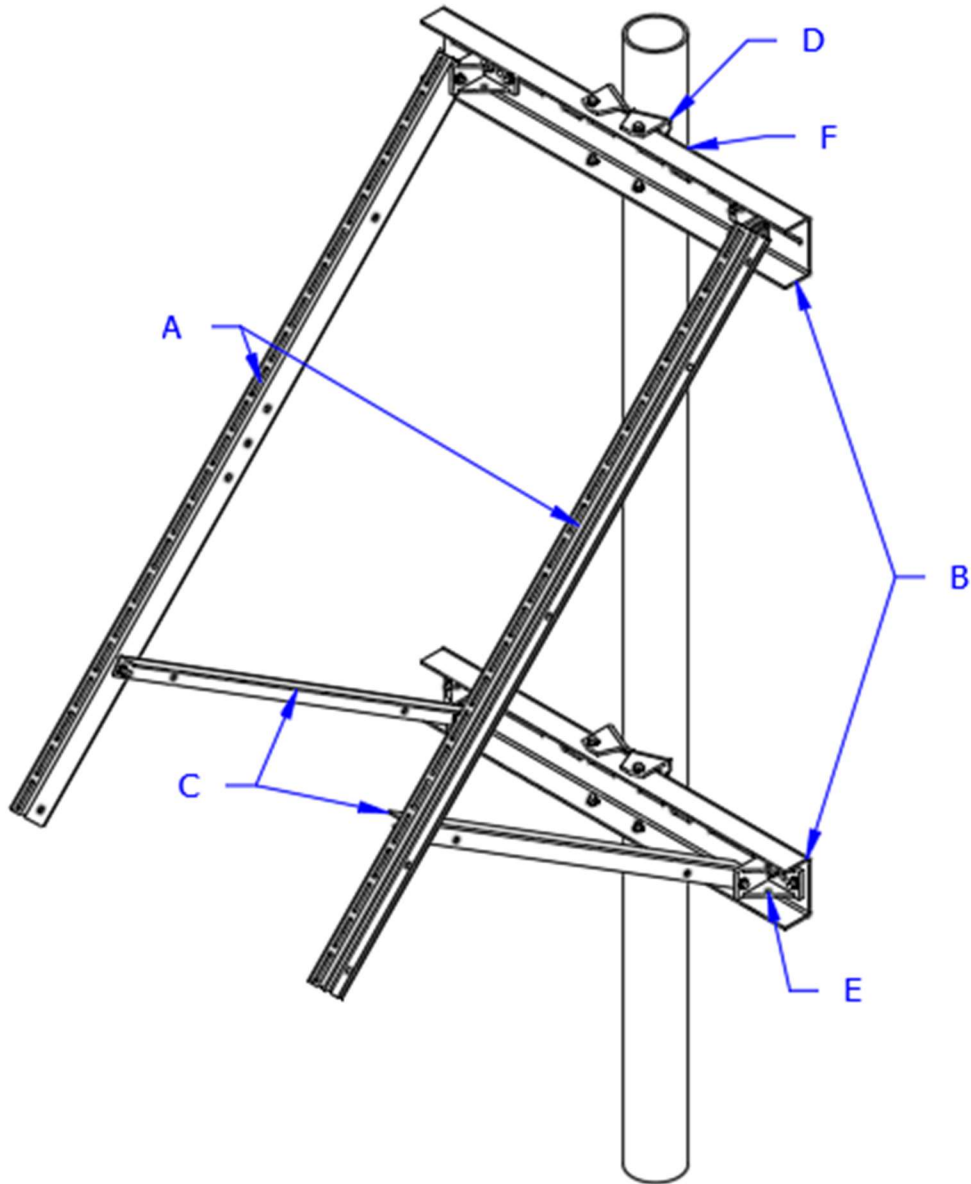
Hardware Note:

- Apply anti-seize to all hardware to prevent galling
- 1 ft-lb = 12 in-lb = 1.36 Nm

- Use 5/16" hardware → Mount assembly
- Use 1/4" hardware → Mounting module to rail

60.5" Module Rail SOP Mount Specifications

Part #	Rail Length (inches)	Pipe Size Dia (SCH 40)	Max Module Qty. (Small Format)
240045	60.5	2-6	2
240048	60.5	8-10	2



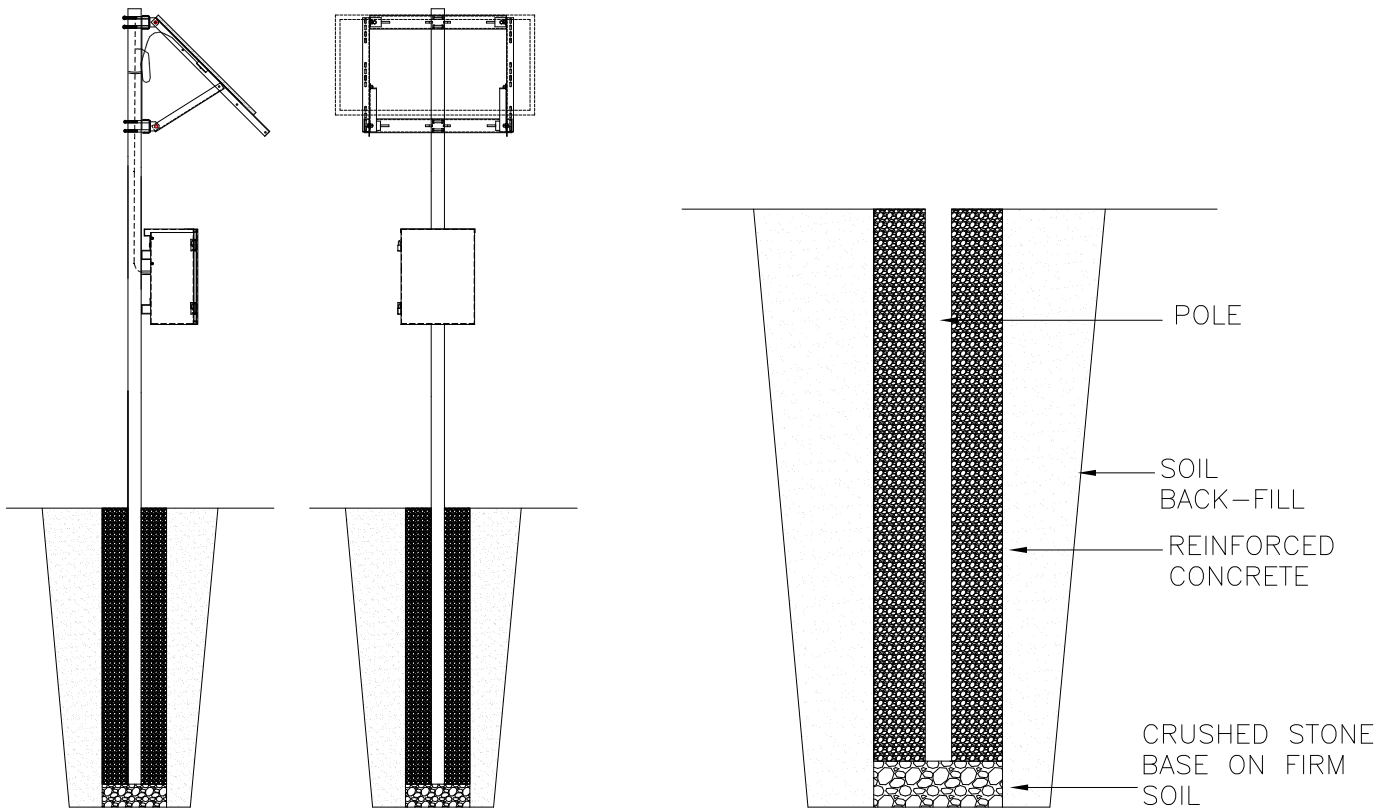
Hardware Note:

- Apply anti-seize to all hardware to prevent galling
- 1 ft-lb = 12 in-lb = 1.36 Nm

- Use 5/16" hardware → Mount assembly
- Use 1/4" hardware → Mounting module to rail

Pole Mount Site Preparation

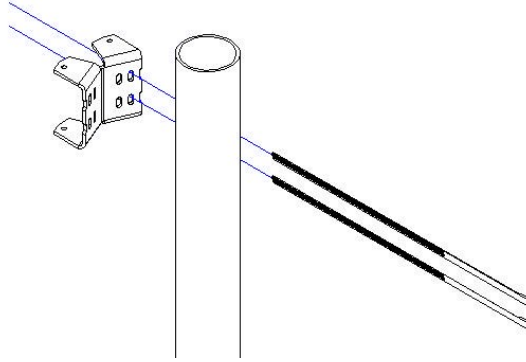
- The pole used to support the PV array must be designed per the local soil conditions to meet the following minimum requirements:
 - Array area based at tilted angle
 - Typical sustained wind speed per the recommended local building code.
- The pole is to be seated against a firm crushed stone base, on firm compacted soil a minimum of 6" below the frost line encased in reinforced concrete per ASTM standards.
- The pole is to be level and plumb.
- Pole diameter and wall thickness sized to withstand array forces without damage.
- Ensure mount and module point due south in northern hemisphere, or due north in southern hemisphere.



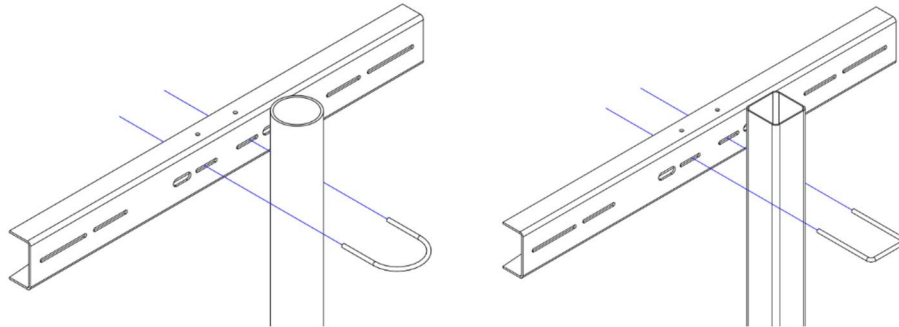
Mount Installation

1. Fasten the upper *Easy Mount Solar Bracket* to the pole at the desired maximum height of the mount using two 1/2" stainless steel band clamps (provided). For high wind loads U-bolts (not provided) are required. DO NOT use the easy mount bracket when using U-bolts. The saddle or *Easy Mount Solar Bracket* can optionally be lag-bolted or through-bolted to the pole.

Band Clamp Mounting:

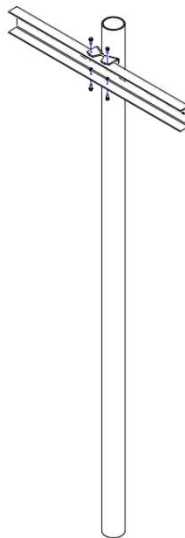


U-Bolt Mounting:



2. Fasten the saddle bracket to the *Easy Mount Solar Bracket* using the provided 5/16" hardware.

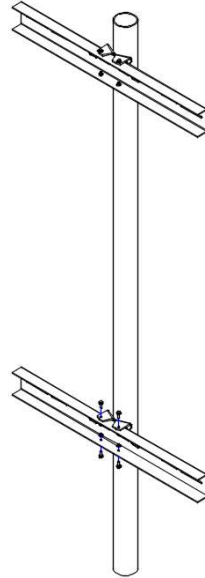
Tighten using a 1/2" wrench to 10-12 ft-lb torque.



Mount should face true south (Northern Hemisphere)

Apply anti-seize to all hardware.

- When using band clamps, tighten to 4-5 ft-lb torque. Wiggle saddle bracket to remove slack in band clamps and retighten. Repeat until clamps are snug.
- Attach lower *Easy Mount Solar Bracket* and saddle bracket using same method in steps one and two. **Do not fully tighten *Easy Mount Solar Bracket*.**

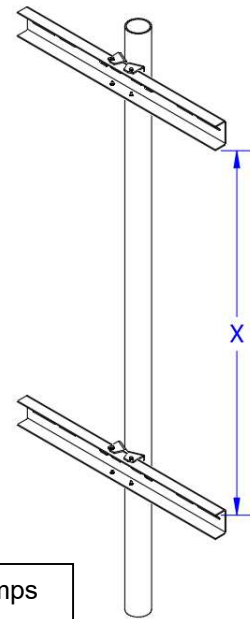


Apply anti-seize to all hardware.

Tighten saddle bracket using a 1/2" wrench to 10-12 ft-lb torque.

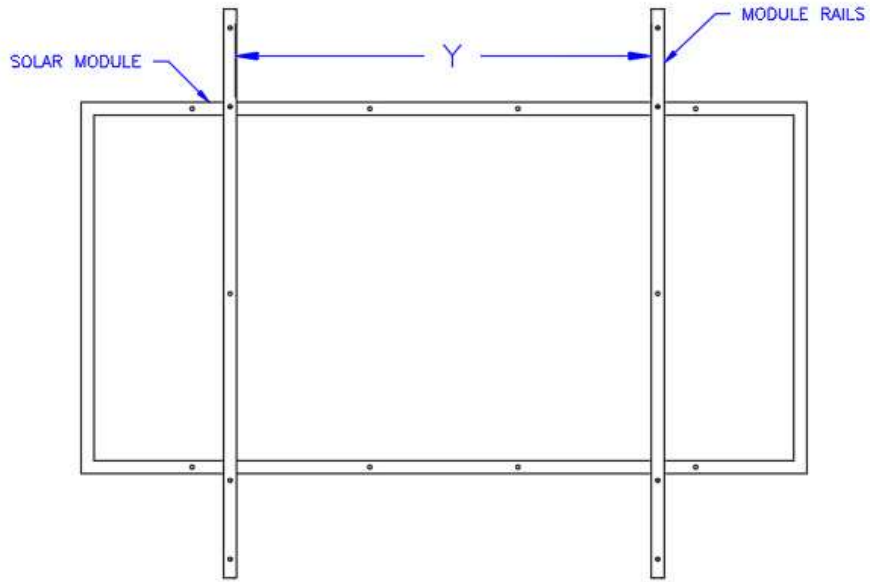
- Adjust the lower *Easy Mount Solar Bracket* and saddle bracket to the approximate distance from the upper saddle bracket and fully tighten U-bolts or band clamps. Use the below chart for rough spacing between the two saddles.

Small Format Mount Angles vs Saddle Spacing (X)		
Degrees	27.5in Rail	60.5in Rail
30	9.5in	38in (using third hole)
45	20in	49.5in
60	27in	67in



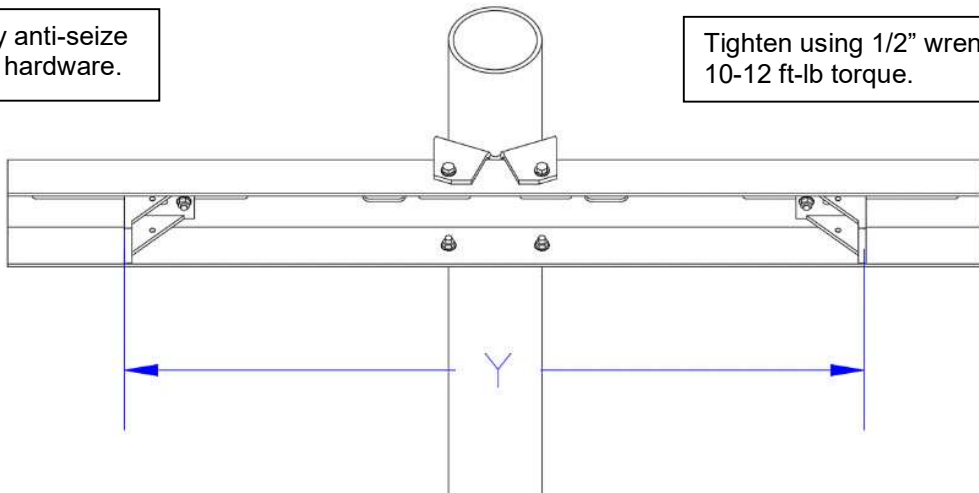
Tighten band clamps to 4-5 ft-lbs.

- Lay rails on module holes (but do NOT attach) to determine upper angle bracket spacing. Measure between the inside of the module rails. Attach angle brackets so that the module rails can be mounted with the correct spacing.

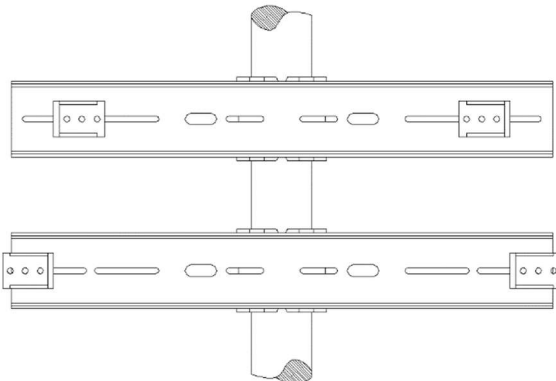


Apply anti-seize to all hardware.

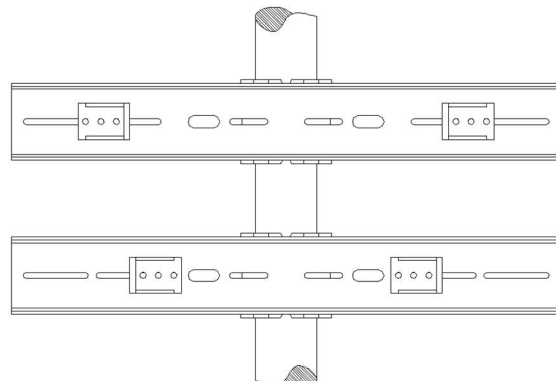
Tighten using 1/2" wrench to 10-12 ft-lb torque.



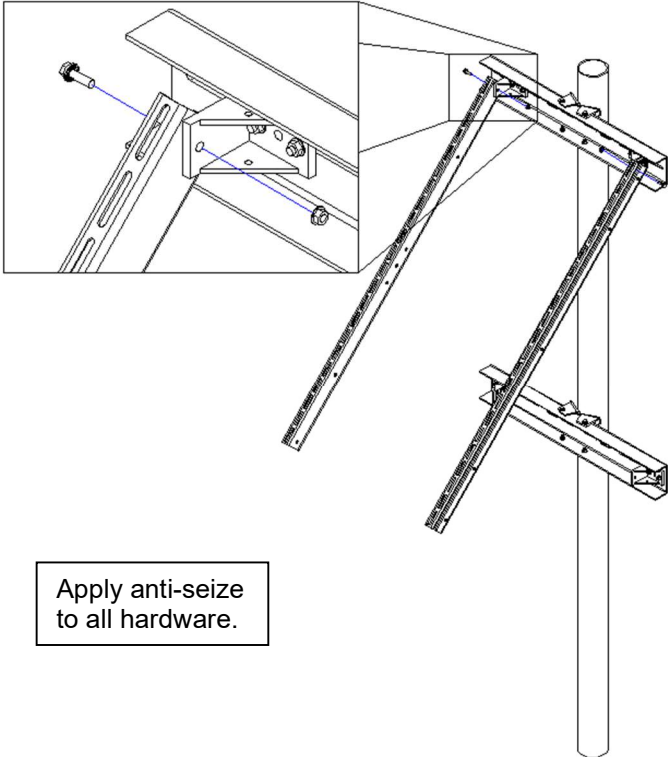
Foot Orientation for Maximum Spacing



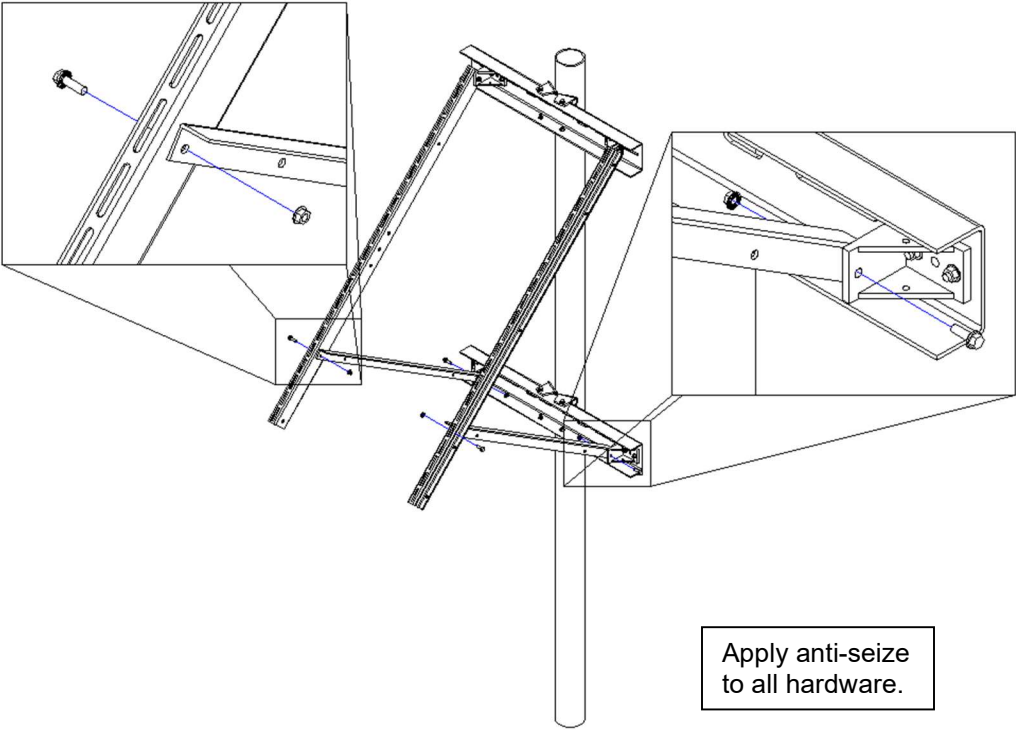
Foot Orientation for Minimum Spacing



7. Attach panel rails to upper saddle L-brackets using 5/16" hardware provided.

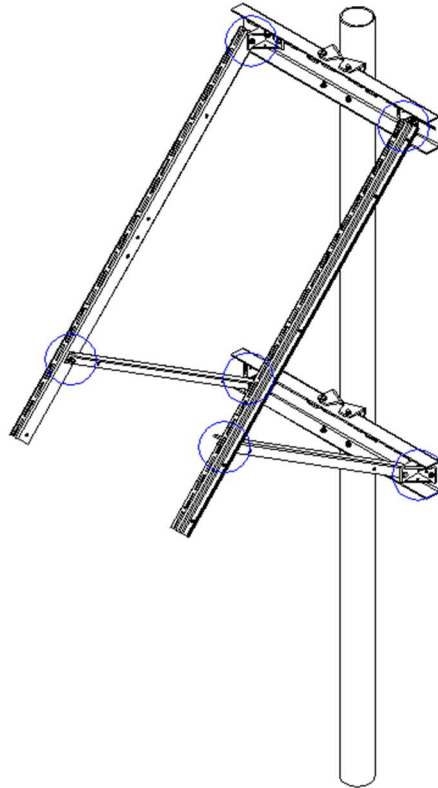


8. Attach legs to lower saddle angle brackets.



9. Tighten all remaining bolted connections circled below.

Tighten using
1/2" wrench
to 10-12 ft-lb
torque.



10. Check alignment of all assembled parts and ensure all bolted connections are tight.

11. Mount the solar modules to the rails using the 1/4" hardware provided.

