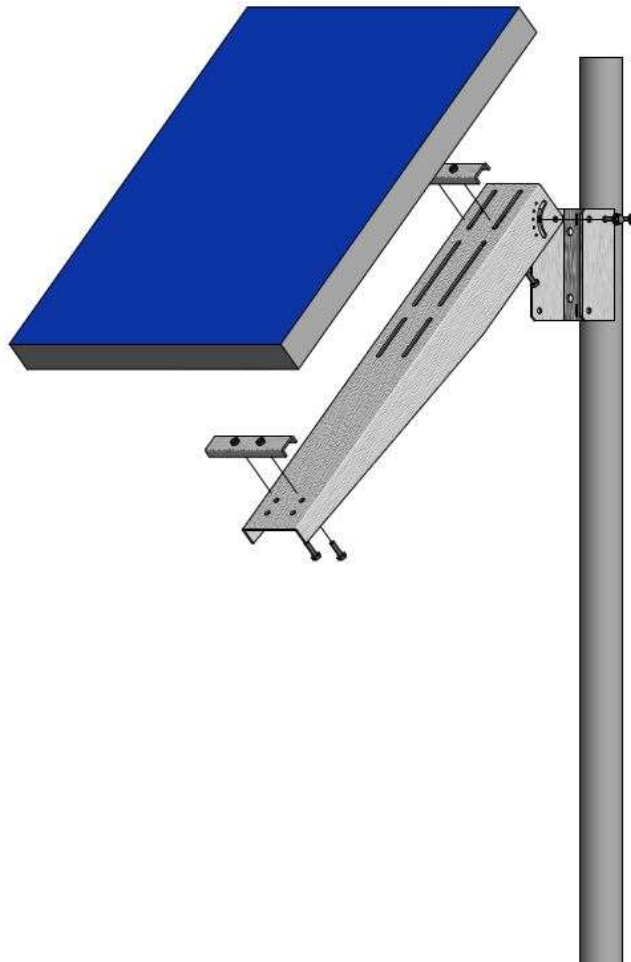


SunWize Power & Battery Mount Installation Guide Single Arm Mount



Mount Assembly and Installation: (SOP) Side-Of-Pole Mounts

Each rack is optimized for specific pole diameter ranges, for standard round SCH40 steel poles. Ensure that the pole used matches the optimal range for the racking equipment provided. Other options are available for larger diameter poles.

Standard mounts are as follows:

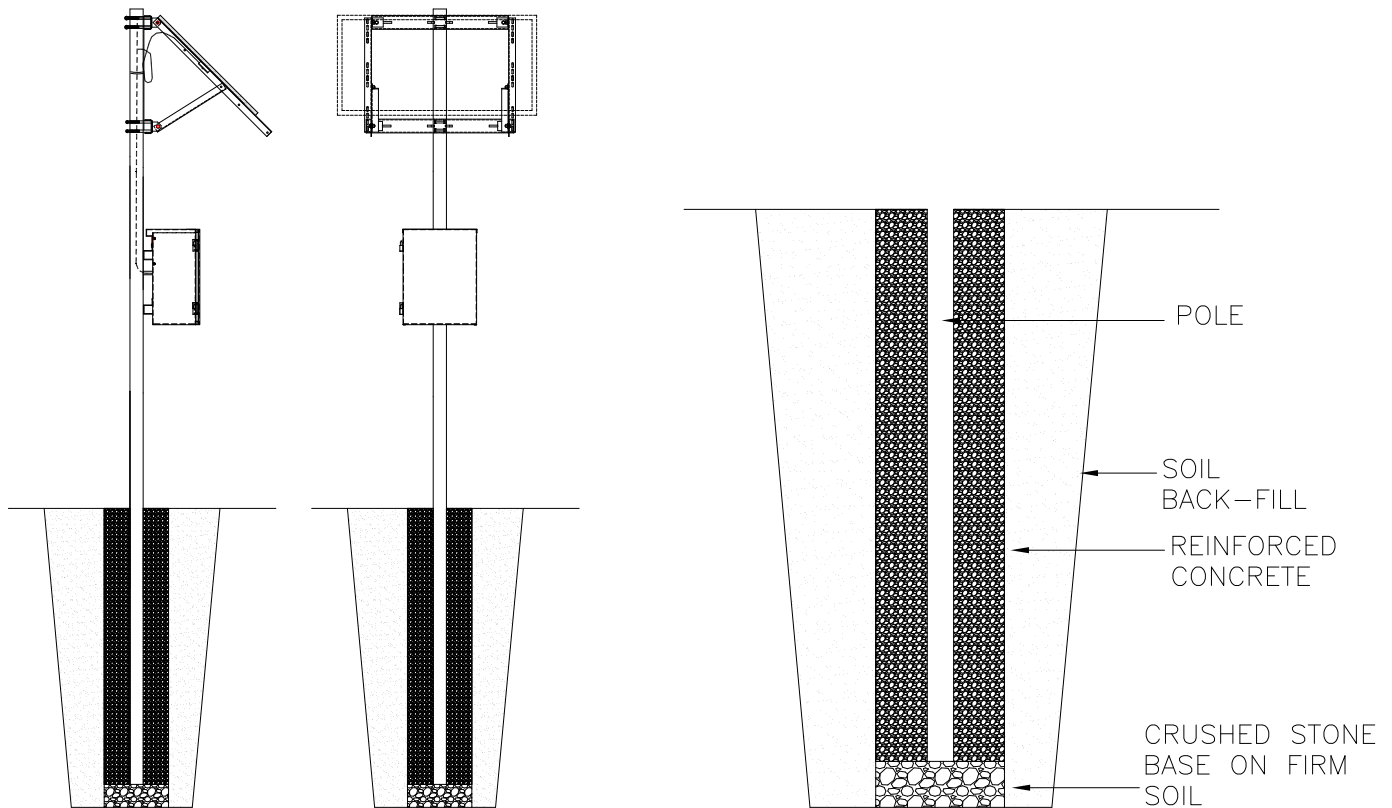
Part #	Rail Length (inches)	Pipe Size (Schd. 40)	Max Module Area (ft ²)
007983	13	2-4	2.5
007984	18	2-4	4.5
007985	27	2-4	5.5
Optional Large Pole Adapter			
240013	-	>4	-

The mount consists of:

- 1x Module arm
- 1x Saddle bracket
- 2x Module clamps
- 2x SS Band clamps
- Anti-seize
- 1/4" SS hardware kits as needed
- Optional Adapter for large diameter poles

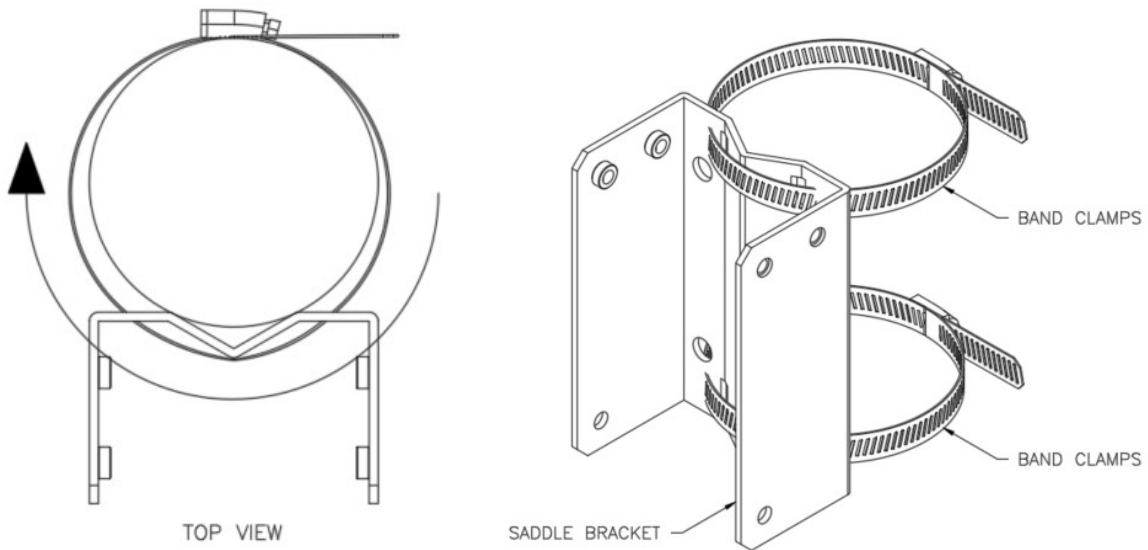
Pole Mount Site Preparation

- The pole used to support the PV array must be designed per the local soil conditions to meet the following minimum requirements:
 - Array area based at tilted angle
 - Typical sustained wind speed per the recommended local building code.
- The pole is to be seated against a firm crushed stone base, on firm compacted soil a minimum of 6" below the frost line encased in reinforced concrete per ASTM standards.
- The pole is to be level and plumb.
- Pole diameter and wall thickness sized to withstand array forces without damage.

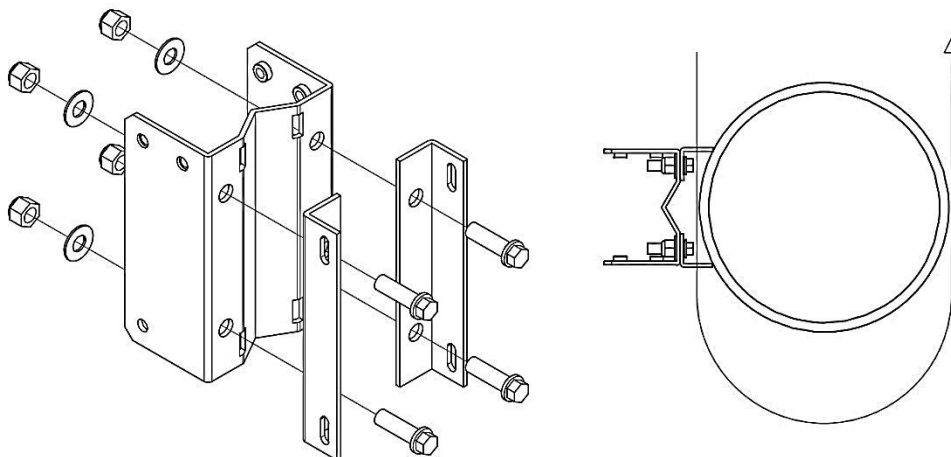


Mount Installation

1. Fasten the array saddle to the pole at the desired maximum height using two 1/2" stainless steel band clamps (provided). The saddle can optionally be lag-bolted or through-bolted to the pole. Tighten setscrews using a 5/16" wrench to 30-35 ft. lbs. torque.

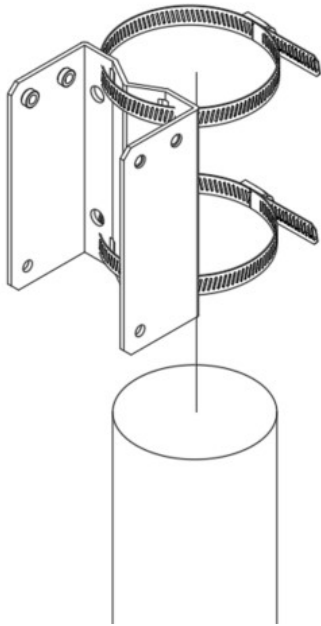


2. Optional: For pole sizes greater than 4", use the optional large pole adapter kit when band clamping the saddle bracket

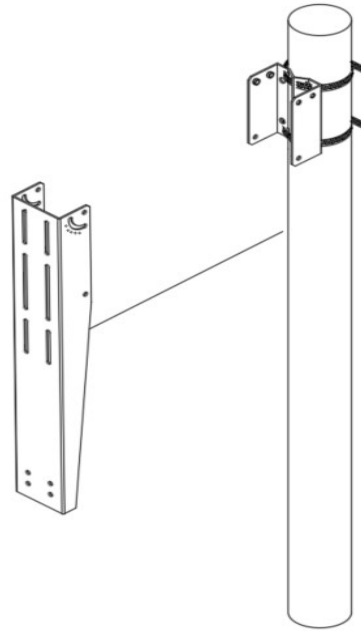


Use anti-seize on all bolts

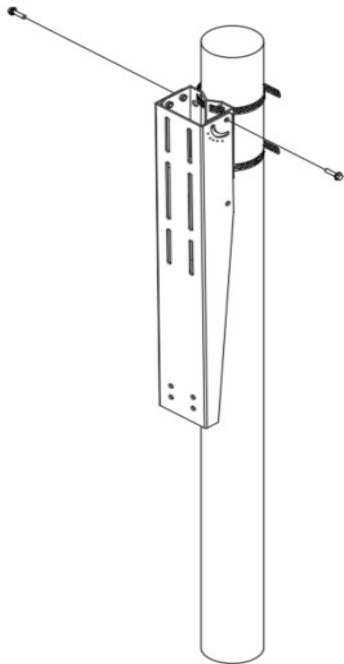
Pole Attachment Steps:



Step 1

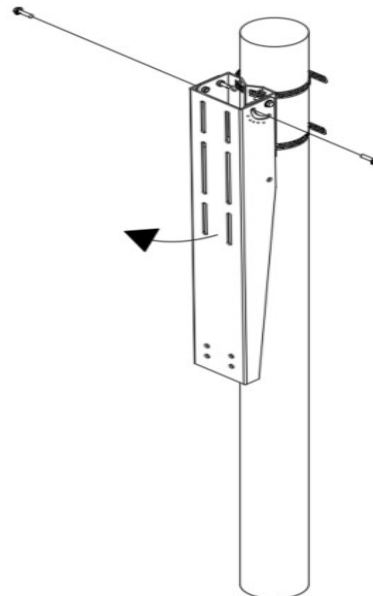


Step 2



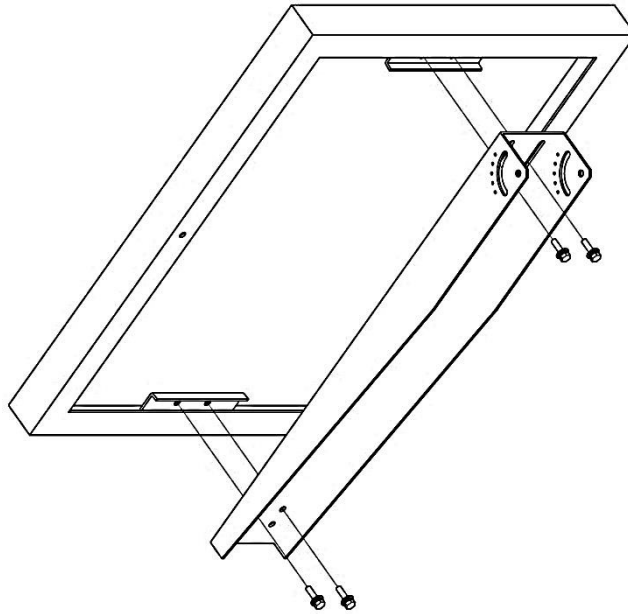
Step 3

Use anti-seize on all bolts



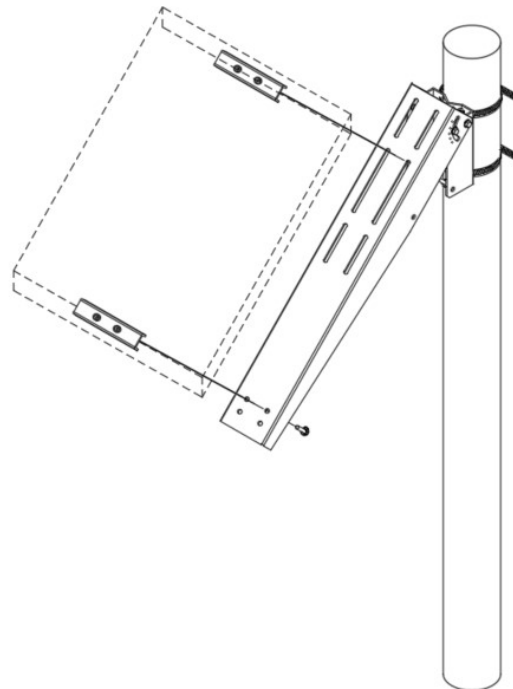
Step 4

3. Mount the module to the arm by sliding the inner lip of the module under the clamps. Tighten the 1/4" hardware using appropriate wrench to 5-6 ft. lbs. torque



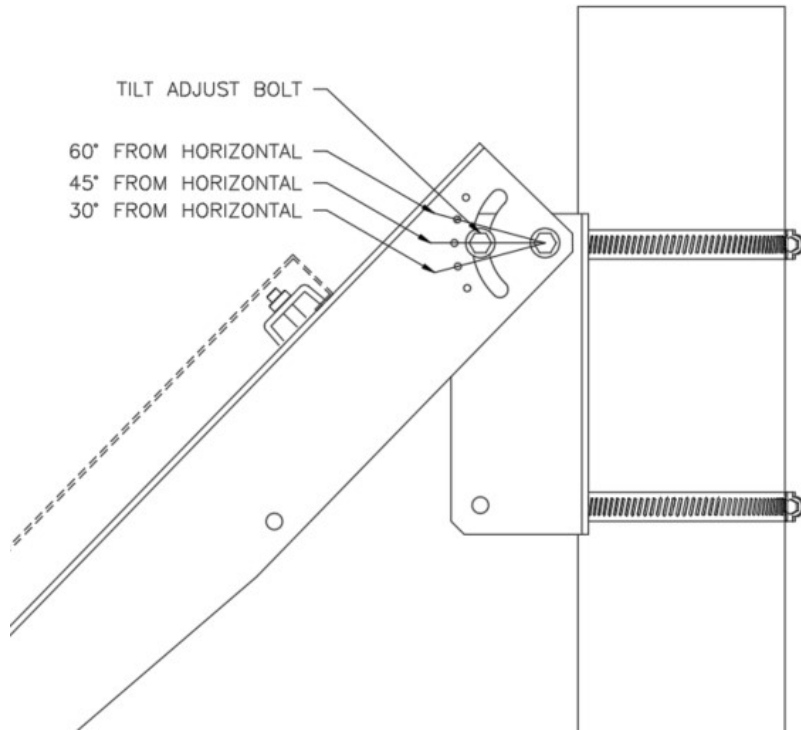
Use anti-seize on all bolts

4. Attach the module arm bracket to the saddle using hardware provided.



Use anti-seize on all bolts

5. Adjust the arm to the desired tilt angle and tighten the bolts using appropriate wrench to 5-6 ft. lbs. torque.



6. Check alignment of all assembled parts and ensure all bolted connections are tight.