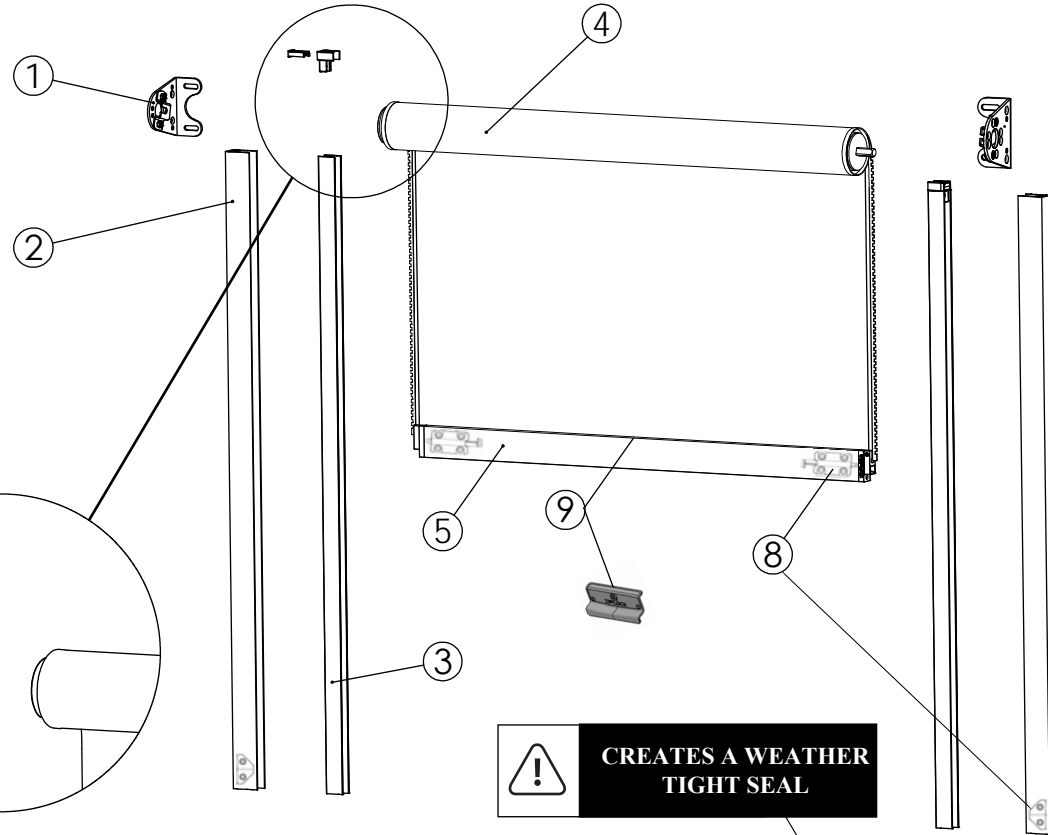


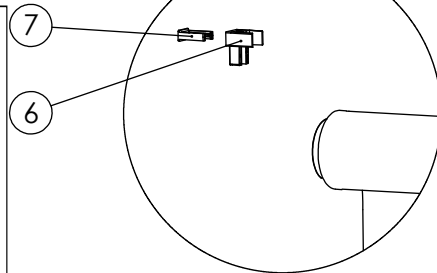
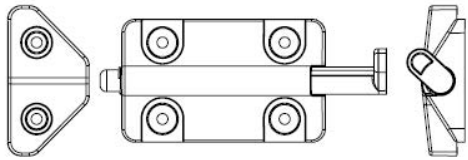
SPRING ASSEMBLY

Table: Bill of Materials

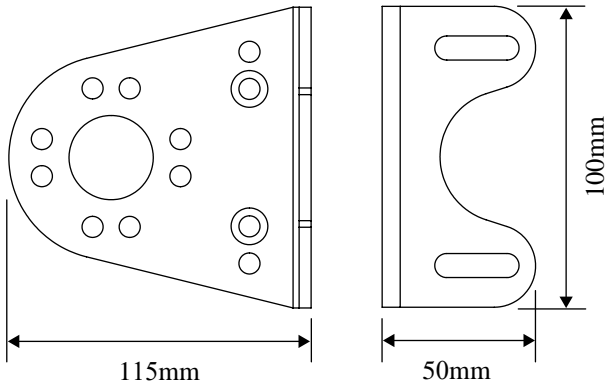
ITEM NO.	DESCRIPTION	QTY
1	SPRING ADAPTOR & BRACKET	2
2	CHANNEL	2
3	TRACK + RIVETS	2
4	BLIND	1
5	BOTTOM RAIL	1
6	FUNNEL GUIDE + RIVETS	2
7	TOP STOP	2
8	LOCKING CLIP + SCREWS	2
9	GRAB HANDLE + SCREWS	1



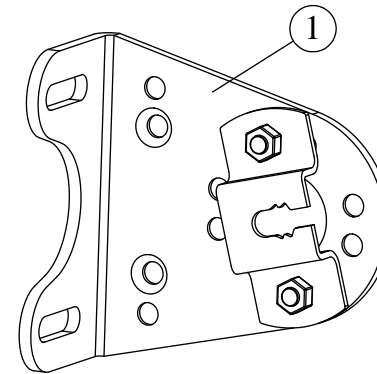
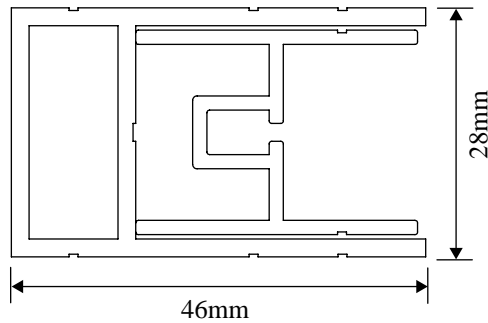
Locking Clip (Auto Latch)



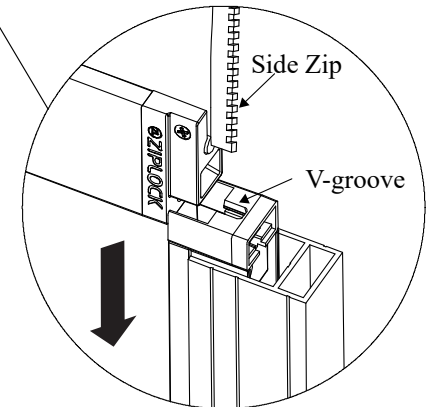
Mounting Bracket



Track & Channel

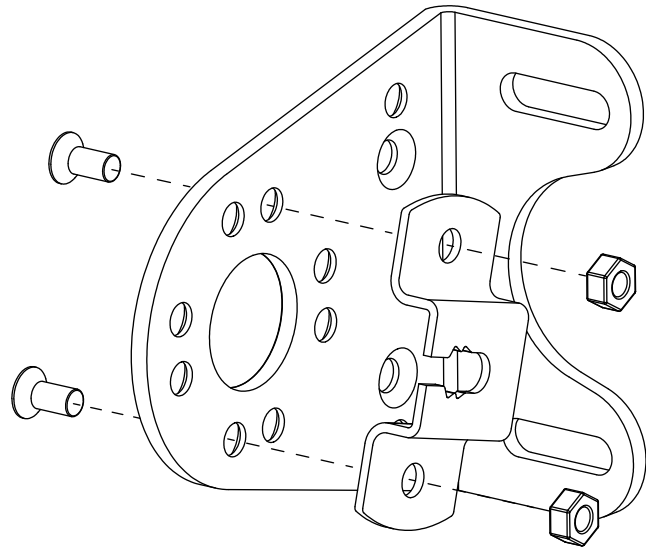


Spring Adaptor & Bracket

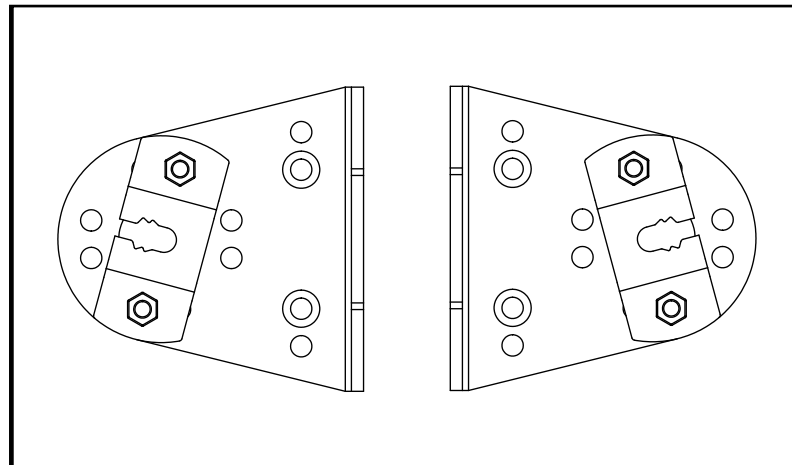
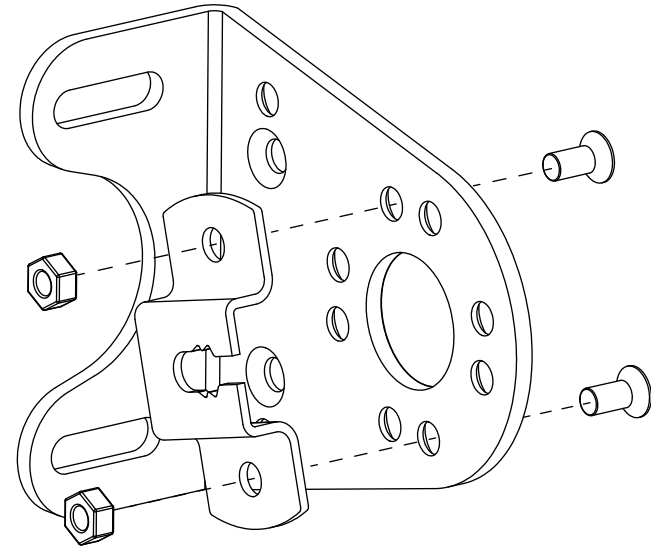


Assemble top brackets - reveal mount or face mount.

Left Side Bracket



Right Side Bracket

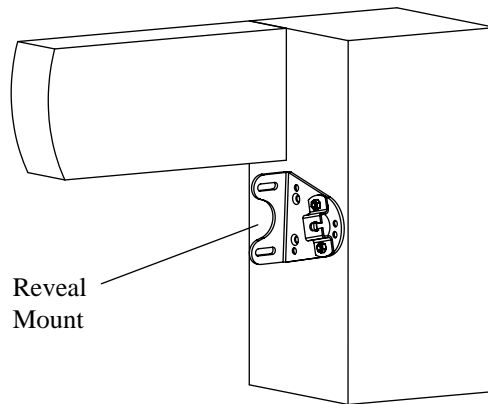
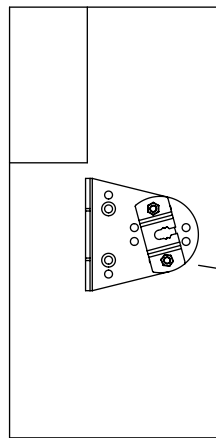
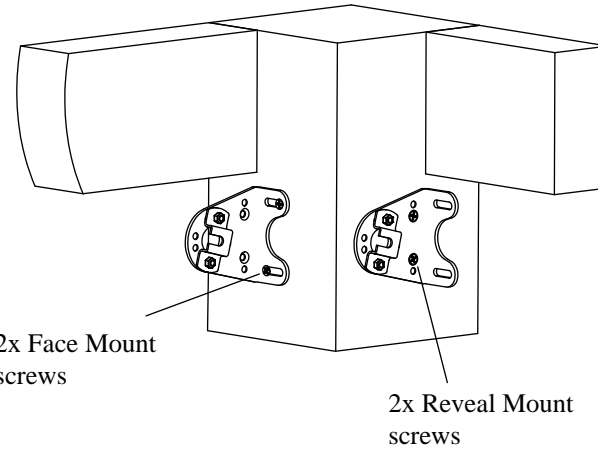
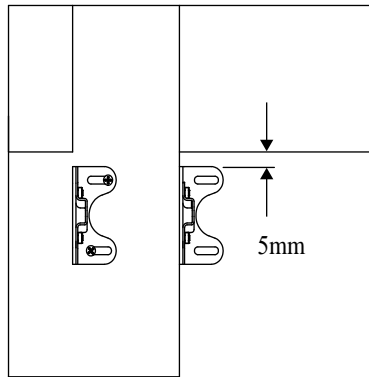


1

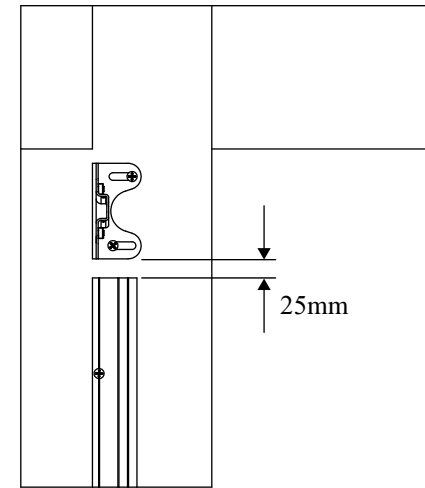
Secure spring adaptor to brackets as shown.

Install top brackets - reveal mount or face mount.

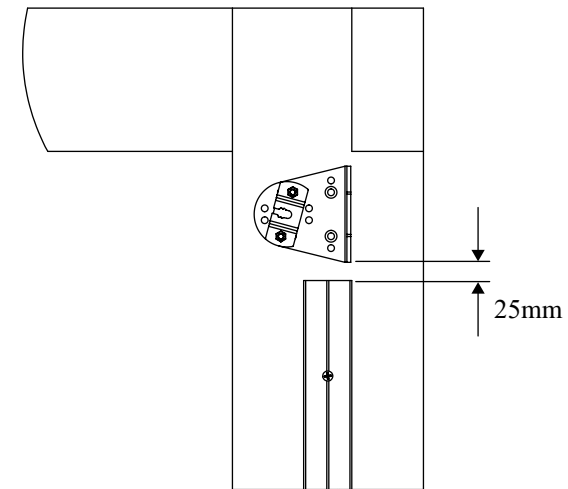
Important Note:
Brackets come as a pair.



Install channels - reveal mount or face mount.



Face Mount



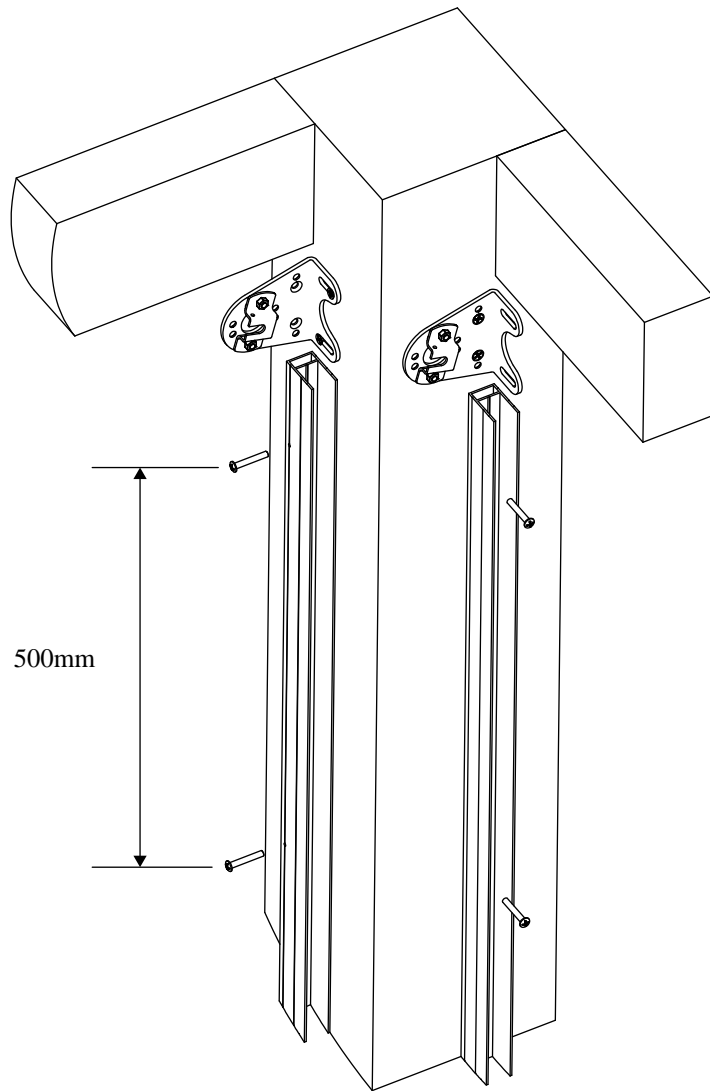
Reveal Mount

Cut Tracks and Channels to size (130mm less than opening to allow for brackets and clearances).

2 Fix brackets either Face Mount or Reveal Mount 5mm below the bottom face of structure.

3 Align back edge of the channel with the back edge of the brackets and 25mm below the bottom edge.

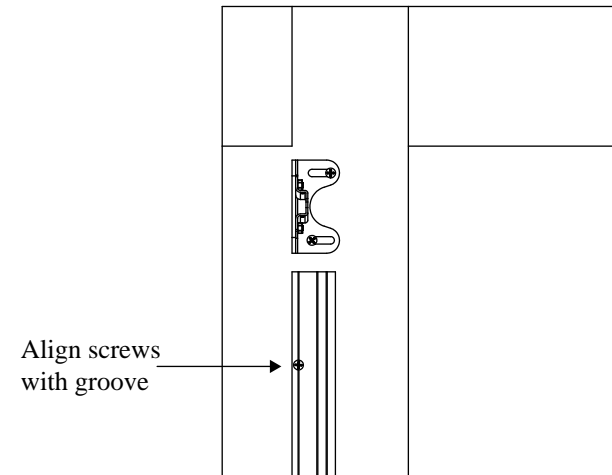
Install channels - reveal mount or face mount (continued).



1) Attach channel with a minimum of five screws evenly spaced, minimum of 500mm spacing between screw fixings.

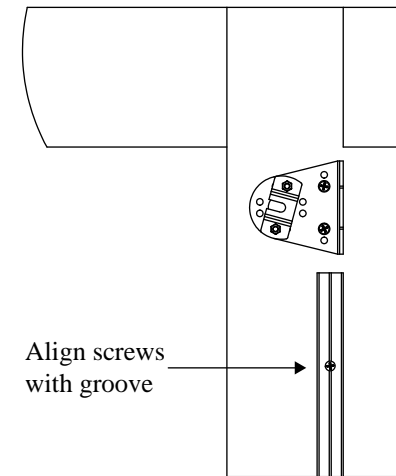
⚠ Depending on the structure (metal/timber/masonry), pilot holes may be required and longer screws necessary for thicker structures.

4



Face Mount

Fix screws to the front face along the groove of the channel.



Reveal Mount

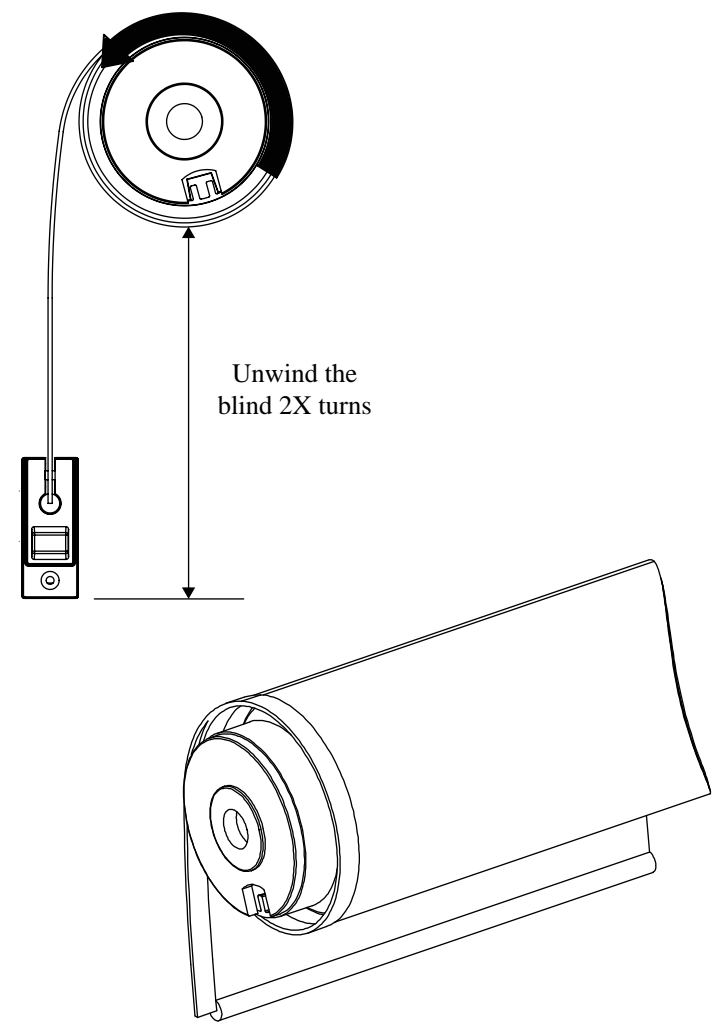
Fix screws to the inside face along the groove center of the channel.

5

Align screws with groove on channel for *Face Mount* or *Reveal Mount*.

Mounting the blind - Mechanical or Motorised.

Important Note:
Unwind the blind two turns before fitting it to the brackets.

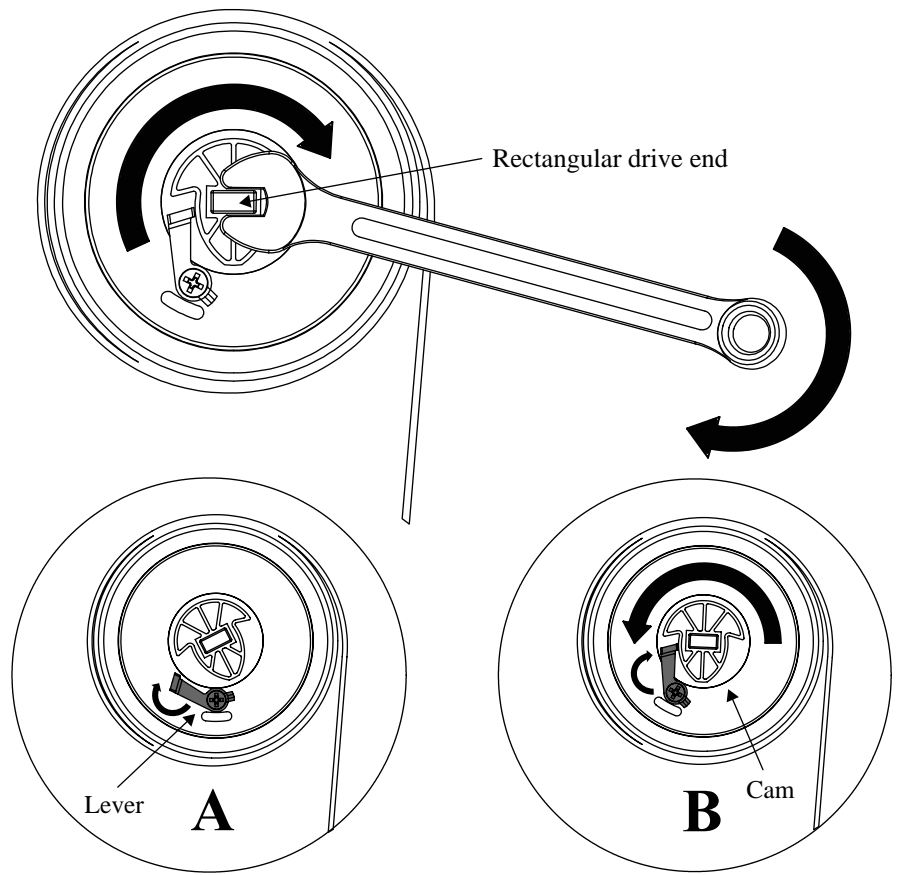


6

Unwind the blind two turns before fitting it to the brackets.

Tension the blind before mounting.

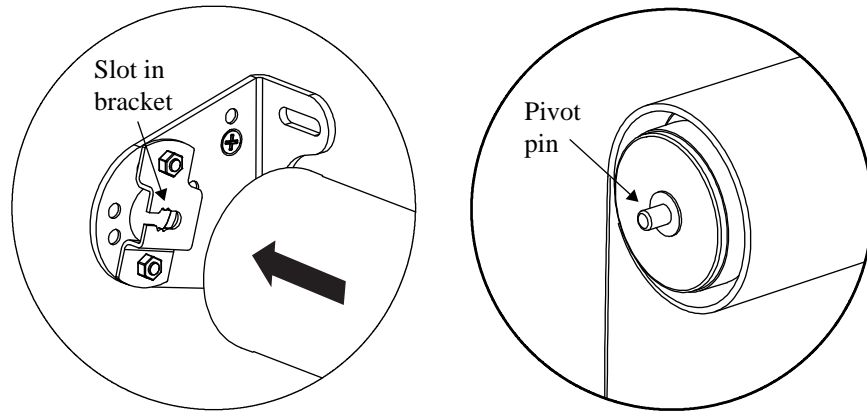
Important Note:
The spring in the blind must be pre-tensioned before it is hung on to the brackets. Each blind will vary depending on its size and the fabric weight, As a guide a blind 2.4m high and 3m wide would need around 15 turns for PVC and 10 turns for mesh type fabrics. This may be even more for larger blinds.



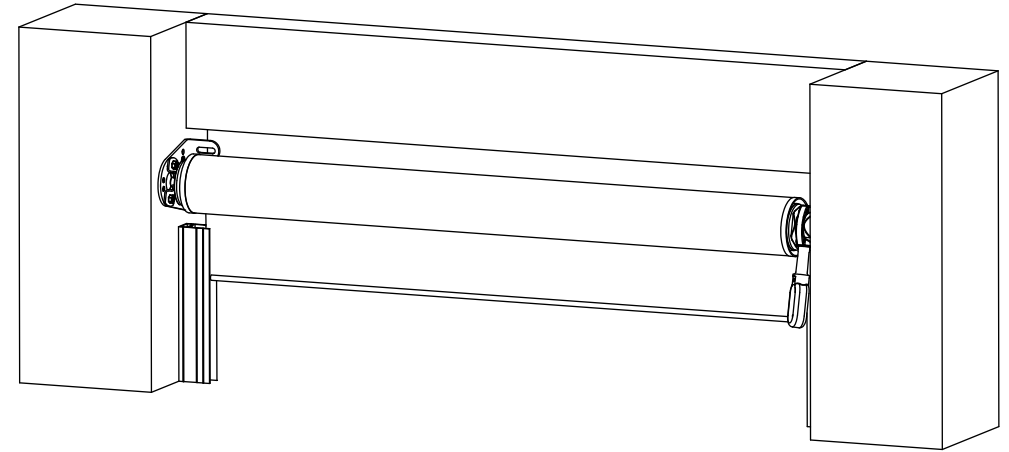
7

- !** Tension the blind before fitting it to the brackets.
- 1) Rotate the rectangular drive end 10-15x turns with either a shifter or spanner.
 - 2) Rotate the lever (A) on the end of the blind to engage the cam (B). This will prevent the cam from rotating and set the spring tension.

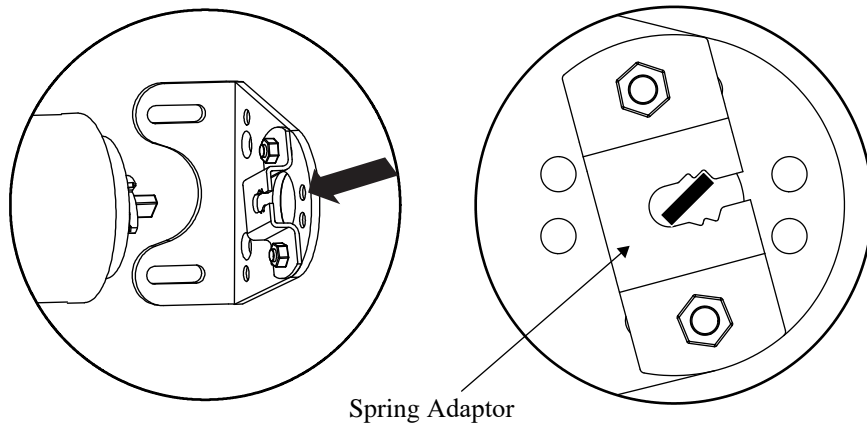
Mounting the blind.



8 Align and locate the pivot pin into the slot in the spring adaptor.



10 The blind is in position for both Mechanical and Motorised versions.



9 Align and insert the rectangular drive end into the spring adaptor.. When the blind is under tension this will twist and lock into place.

Your blind is now ready to pull, Pull the bottom bar down from the centre of blind, the locking lever on the spring will now released and there will be constant tension.

You want just enough tension so that the blind freely hangs without retracting up until you lift the weight of the bottom rail with your hand. You may need to add or remove turns on the spring until you get this right.



Important: Do not let go of the bottom bar as this will can cause the blind to shoot up under tension and may damage your spring. Use the metal lever on the spring side to hold tension whilst adjusting.

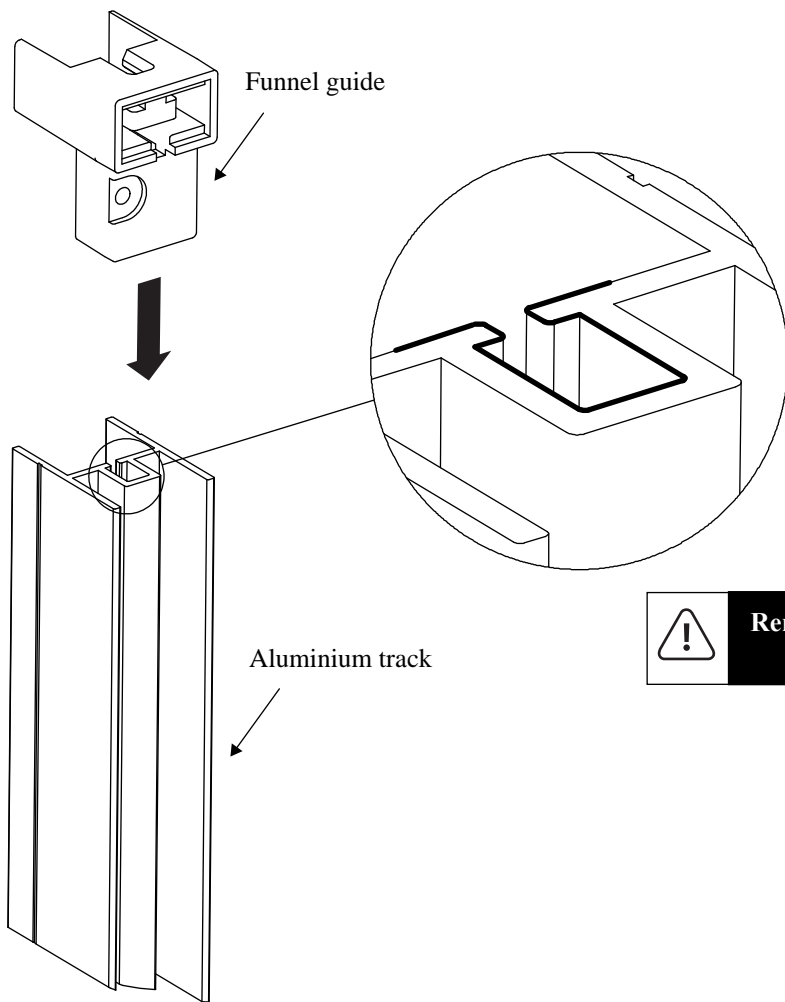
11

Install the funnel guides to the tracks.



Important Note:

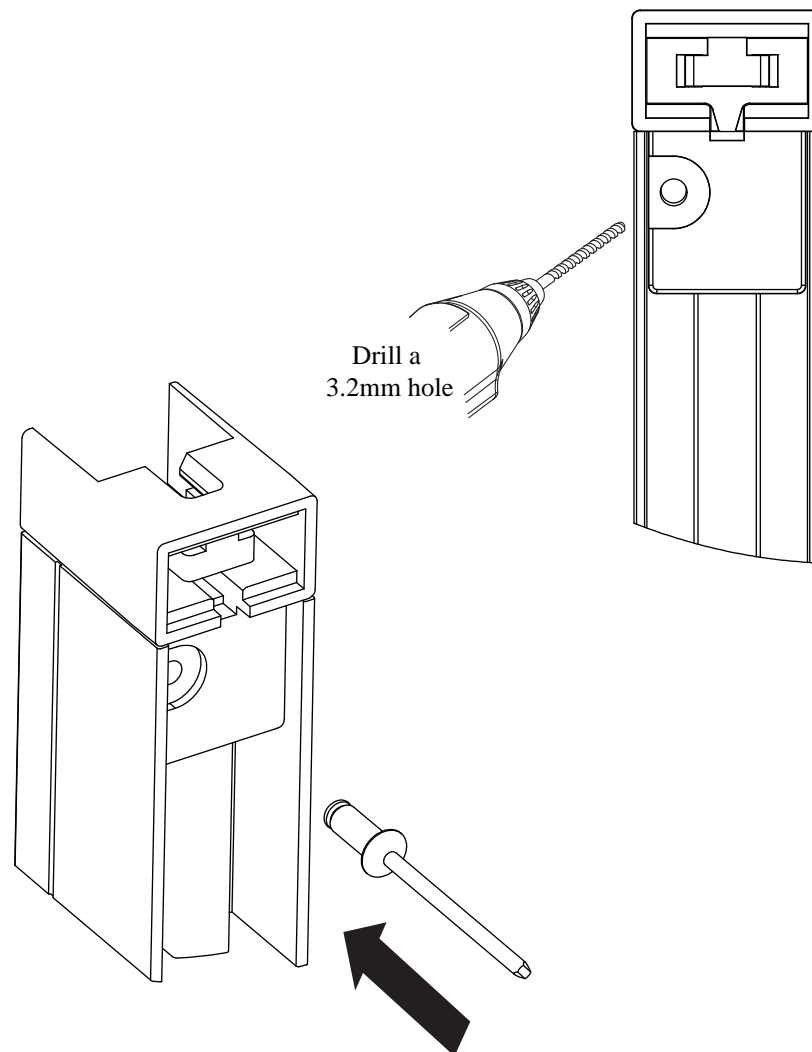
Before installing the funnel guides, the tracks must be inspected for sharp edges and de-burred with a hook ended de-burring tool if required.



Remove sharp edges.

12

⚠ Remove sharp edges from the critical area.



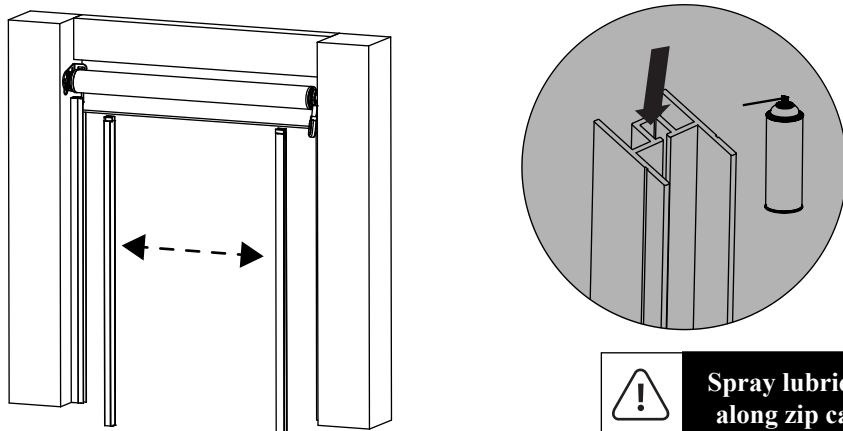
13

- 1) Assemble the funnel guide to the track, then drill a 3.2mm hole.
- 2) Pop rivet the funnel guide to the aluminium track with a 3.2mm x 12.7mm grip rivet.

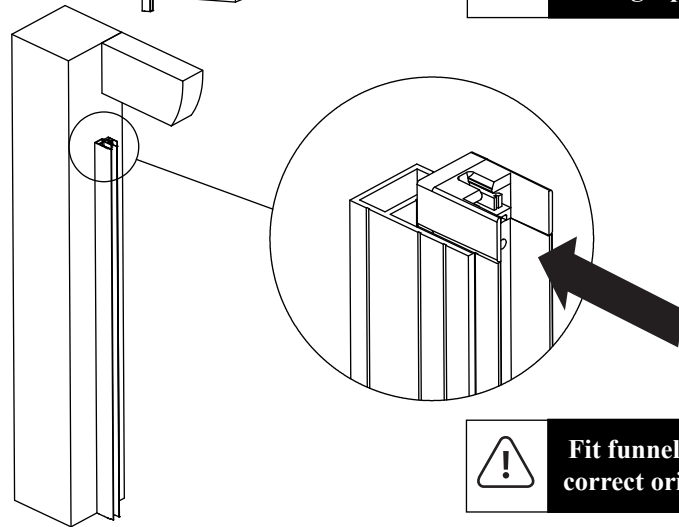
Installing the tracks into the channels.

Important Note:
 Spray silicone lubricant inside the length of the tracks.
 Recommend using a narrow nozzle, supplied with the spray lubricant.
 This is to ensure easy blind movement for setup.

Lubricant is not supplied with this installation, available at most hardware stores.



! Spray lubrication along zip cavity.



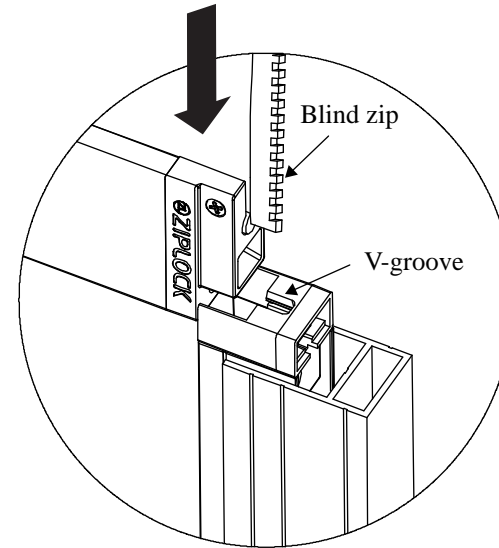
! Fit funnel guide in correct orientation.

14

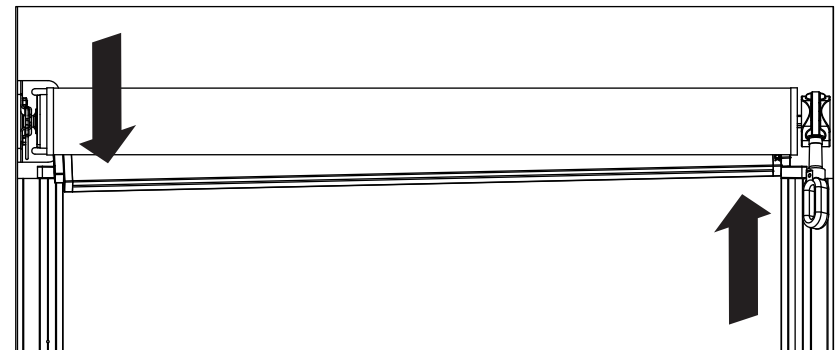
Slide the tracks into place, ensure the funnel guide is at the top and in the correct orientation.

Installing the bottom rail into the tracks.

Important Note:
 Insert the bottom rail diagonally at the top of the channel.
 Unwind the blind two turns to provide enough slack.



! Insert zip into V-groove of the funnel guide.



! Insert bottom rail diagonally into the track.

15

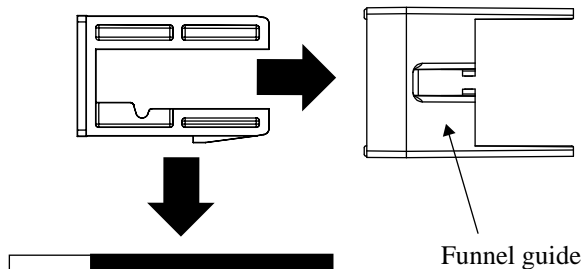
- 1) Insert the bottom rail diagonally into the tracks, carefully align and insert the zip of the blind into the V-groove of the funnel guide on both sides, fit one side first.
- 2) Then carefully lower the blind into the track.

Installing the top stops.

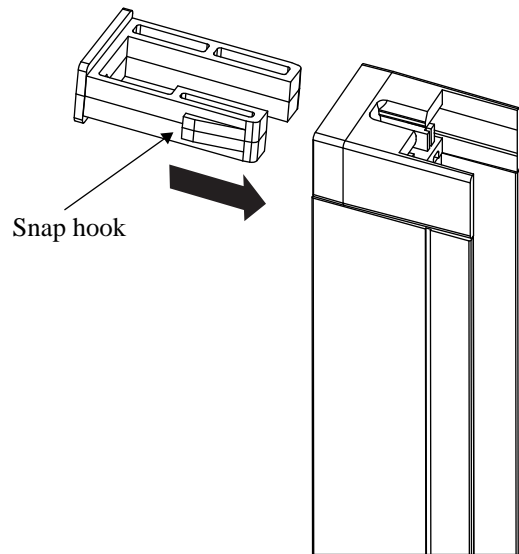


Important Note:

Top stops must be installed into the funnel guides in the correct orientation. Top stops must be installed with the snap hook facing inward when fitted.



Position snap hook face inwards.



- 1) Install the top stops through the back of the funnel guides.
- 2) Then push the top stop until it 'clicks' into position.

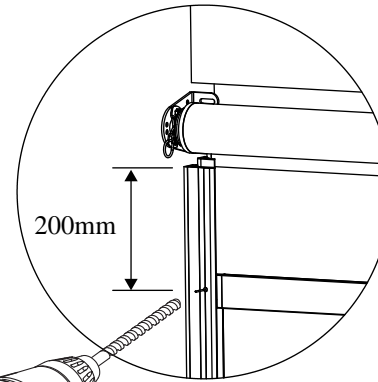
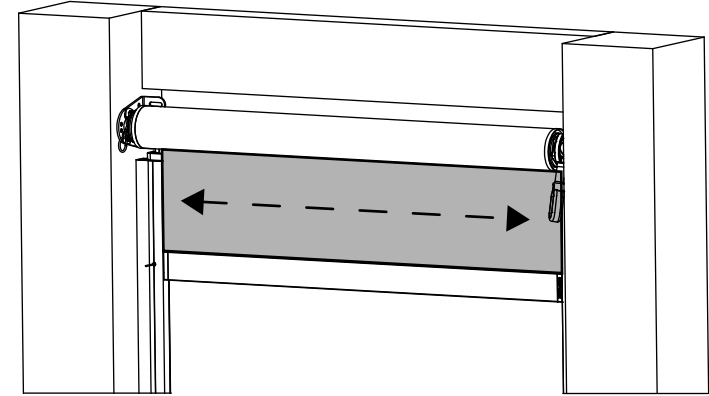
The top stops prevent the blind from being wound up beyond the desired height position.

Tension the blind and adjust the tracks.

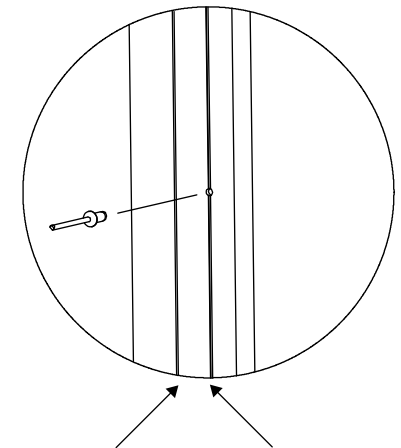


Important Note:

Do not over tension the blind as this will cause the zip to jam.



Drill a 4mm hole



Position unpopped rivets into the vertical grooves.

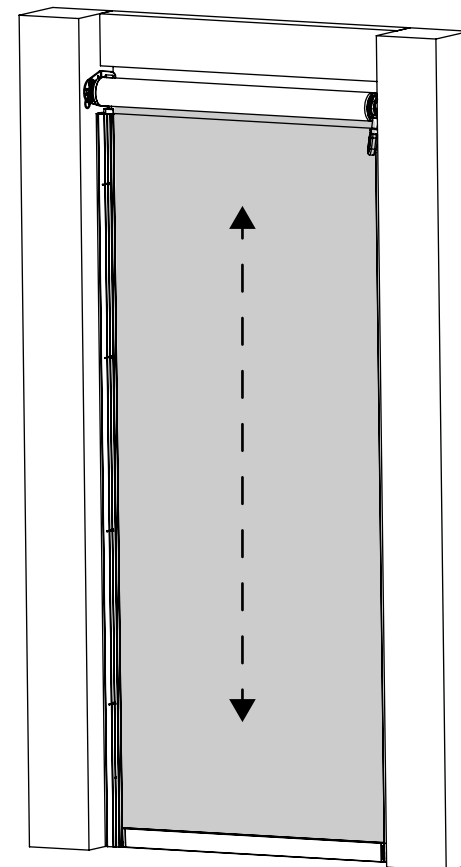
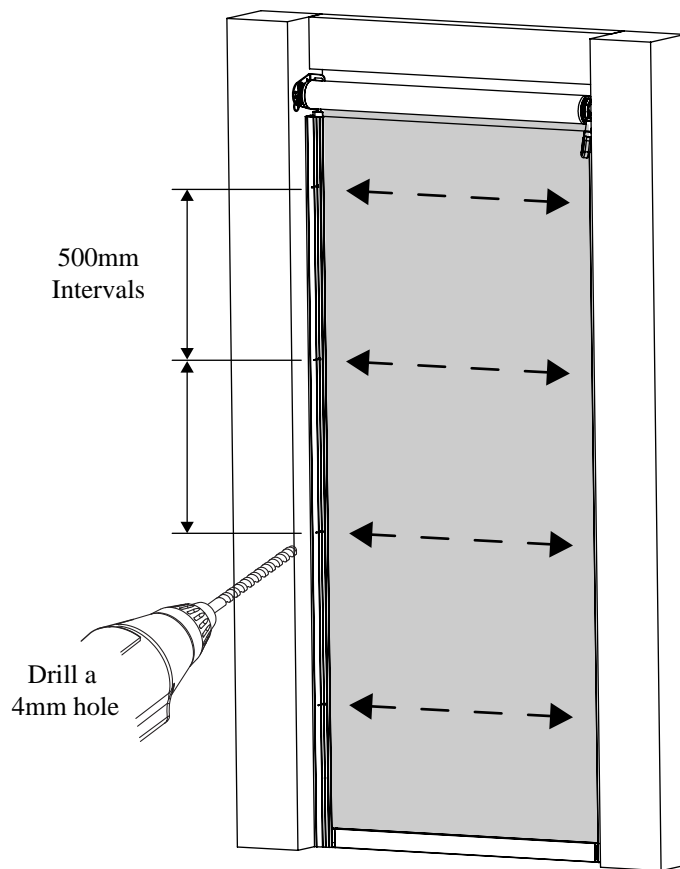
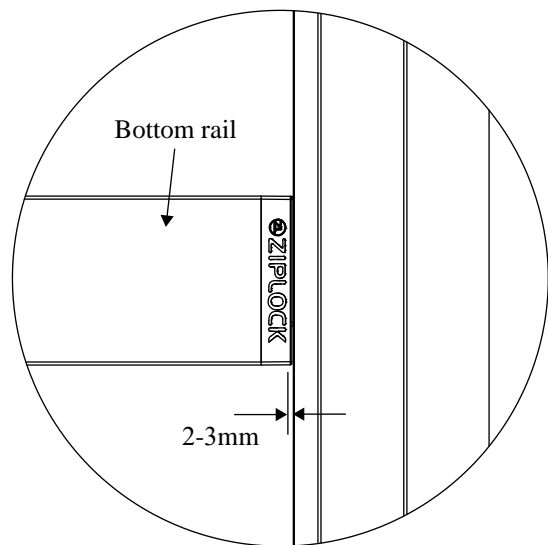
- 1) Adjust the tracks within the channels to ensure adequate tension.
- 2) Carefully push the track into the channel to remove the slack in the blind.
- 3) Start at the top, drill 1x 4mm hole through the channel and track 200mm down from the top of the channel. Use the vertical grooves in the channel as a guide.
- 4) Insert 1x un-poped rivet into the hole, then repeat for the opposite side at the same level.

Tension the blind, adjust and secure the tracks (continued).



Important Note:

Do not over tension the blind as this will cause the zip to jam.
Ensure straight and even drop of the blind on both sides.



2-3mm Clearance between the bottom rail and track.

- 1) Pull the blind up & down and carefully push the track into the channel for adequate tension on the blind.
- 2) Drill and insert unpopped rivets at 500mm intervals on both sides.
- 3) Ensure straight and even drop of the blind on both sides.
- ⚠ There should be 2-3mm of clearance between the bottom rail and the track along the entire length.
- 4) When the blind is tensioned and square, pop all rivets.



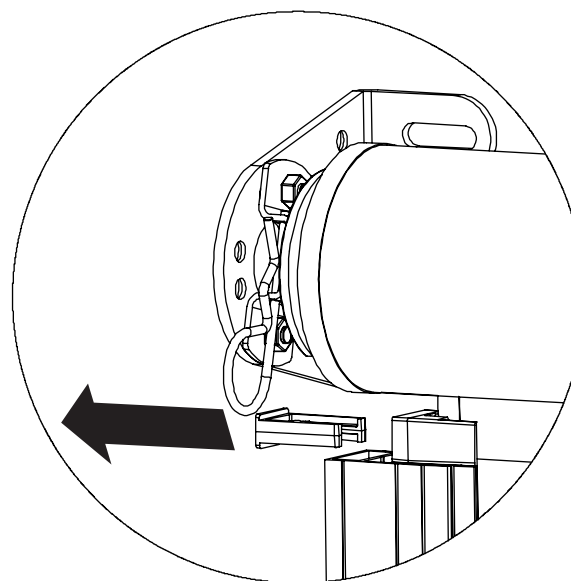
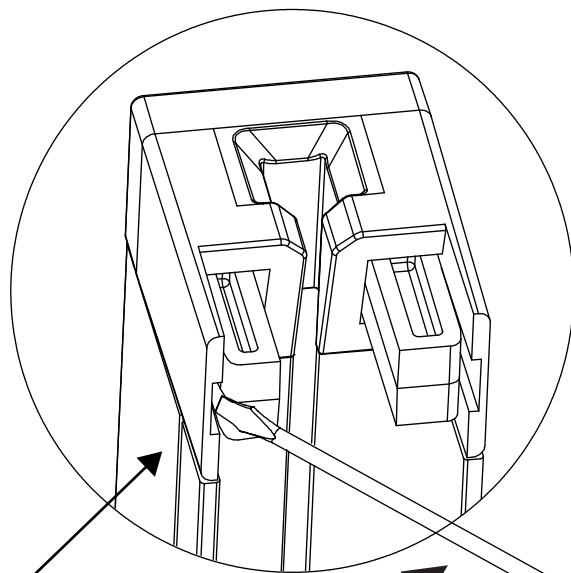
Pop all rivets when the blind is tensioned and square.

- 5) Locking clips can now be attached to the bottom rail and side track to hold the blind down. Grab Handle can also be attached using screws provided.

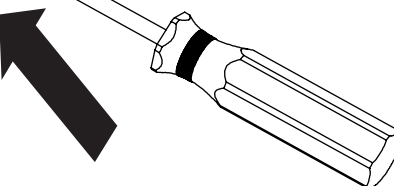
Removal of the top stop if required.



Important Note:
The top stop prevents the blind from being wound up beyond the desired height position.



Lever and push to release snap hook.



DISCLAIMER

We guarantee that all our products will be free from defects in components and manufacture for a period of **twelve months** from the date of purchase.

All goods supplied are guaranteed against mechanical default in normal domestic use and the supplier will repair or replace at its discretion such components that prove faulty in operation. Damage caused by accidents, alterations, misuse, abuse or wear and tear are not covered by this warranty.

Under the guarantee, the supplier shall not be liable or responsible for incidental or consequential damages or for any other direct or indirect damage, loss, cost, expense or fee. The benefits conferred by this Guarantee are in addition to all other rights and services which the purchaser has under the Trade Practices Act 1974 and similar state and territory laws.

All warranties are conditional. For the warranty to be valid, customers must strictly adhere to both the installation and care instructions provided. The warranty does not cover variances in colours and textures from batch to batch. In addition, a receipt providing proof of purchase is required for any warranty claims.