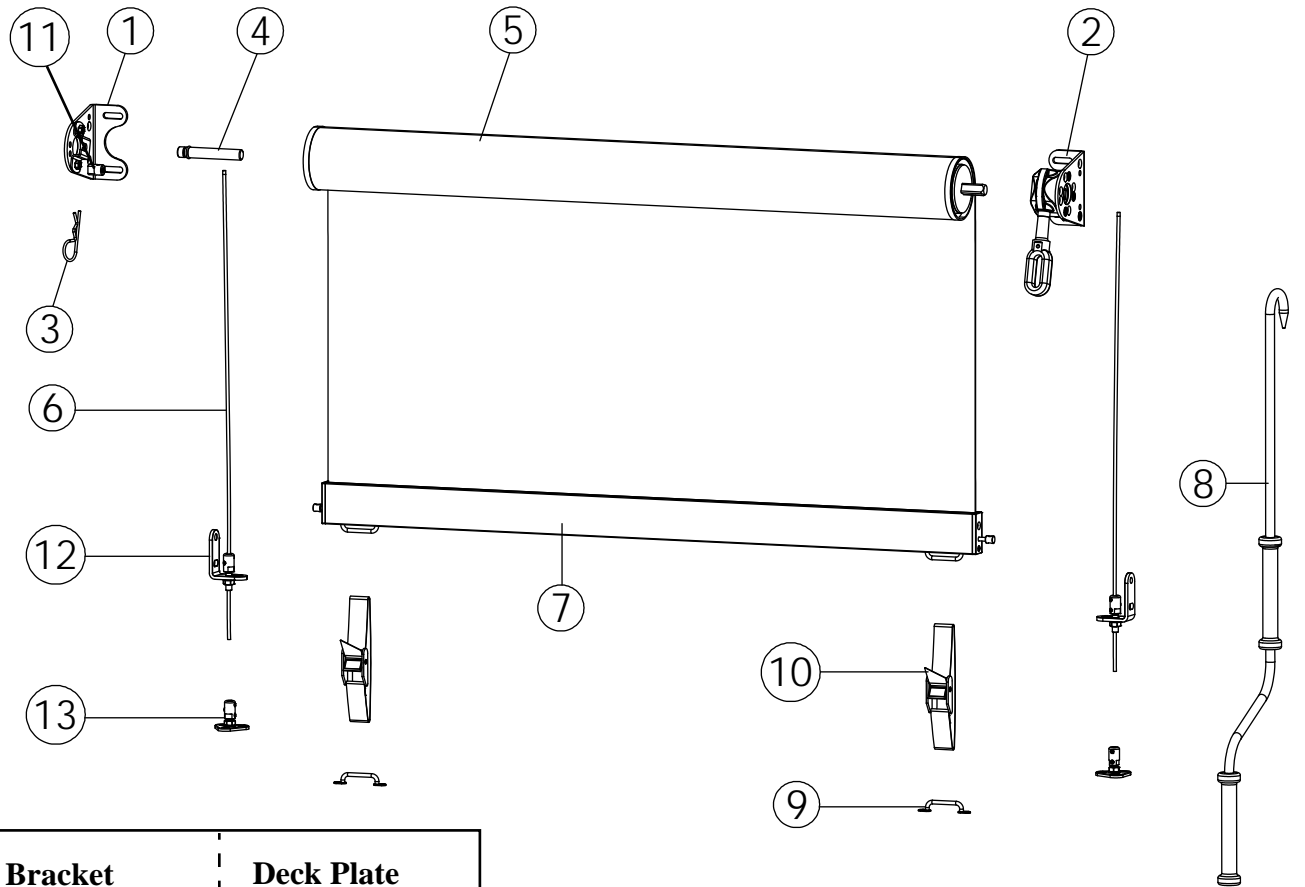


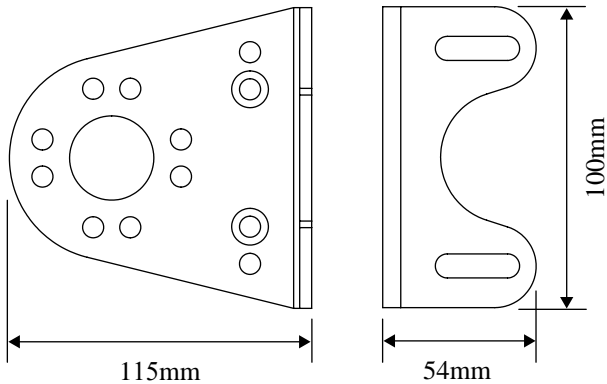
Mechanical Blind Assembly

Table: Bill of Materials

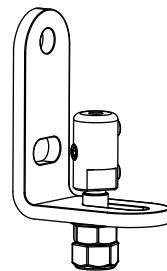
ITEM NO.	DESCRIPTION	QTY
1	IDLER END BRACKET	1
2	GEAR BOX AND BRACKET	1
3	R-CLIP	1
4	PIVOT PIN	1
5	BLIND ASSEMBLY	1
6	GUIDE WIRE	2
7	BOTTOM RAIL	1
8	CRANK HANDLE	1
9	STAPLE	2
10	STRAP	2
11	TOP BUSH	2
BOTTOM BUSH OPTIONS:		
12	L BRACKET BOTTOM BUSH	2
13	DECK PLATE BOTTOM BUSH	2



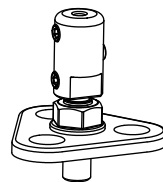
Mounting Bracket



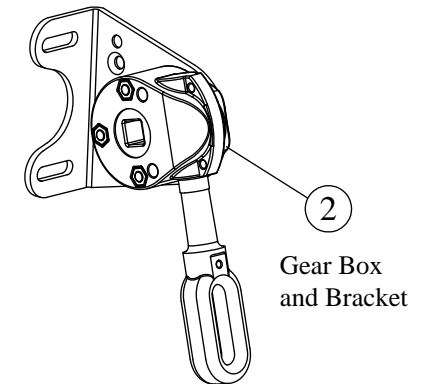
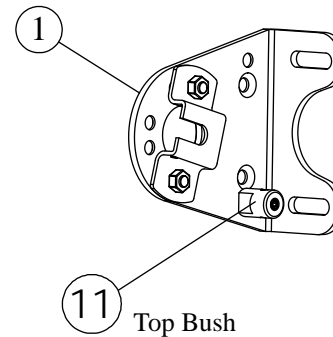
L Bracket Bottom Bush



Deck Plate Bottom Bush

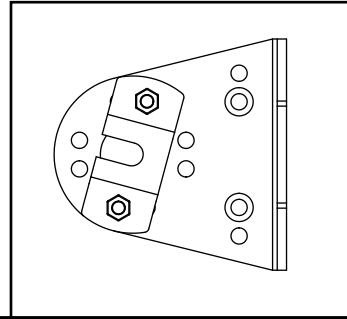
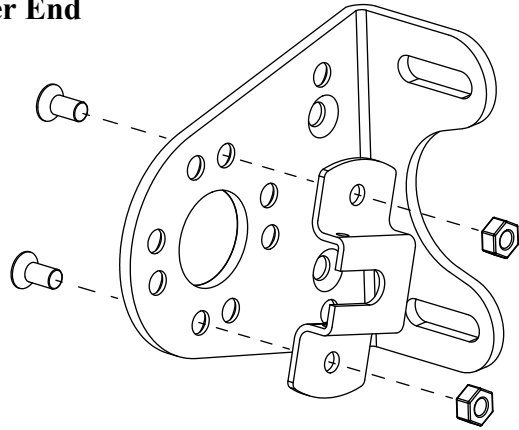


Mounting Bracket



Assemble top brackets - reveal mount or face mount.

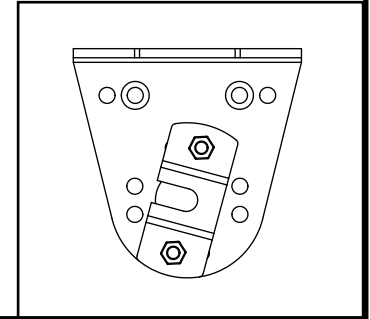
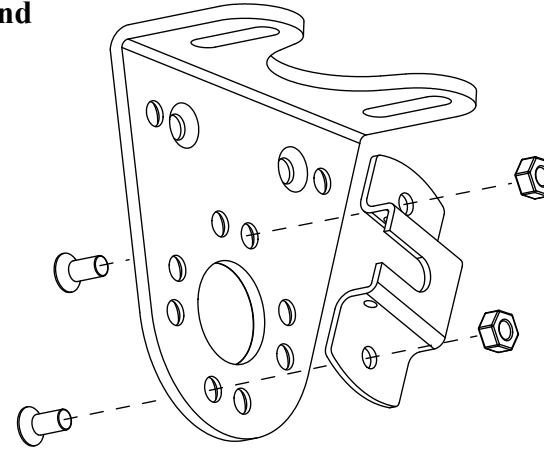
Idler End



i Secure idler end to bracket as shown..

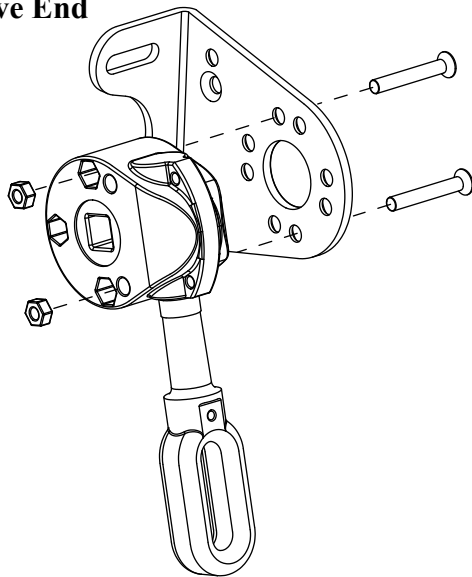
Assemble top brackets - ceiling mount.

Idler End

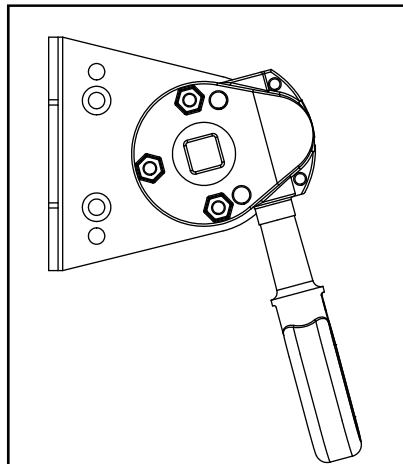


i Secure idler end to bracket as shown.

Drive End

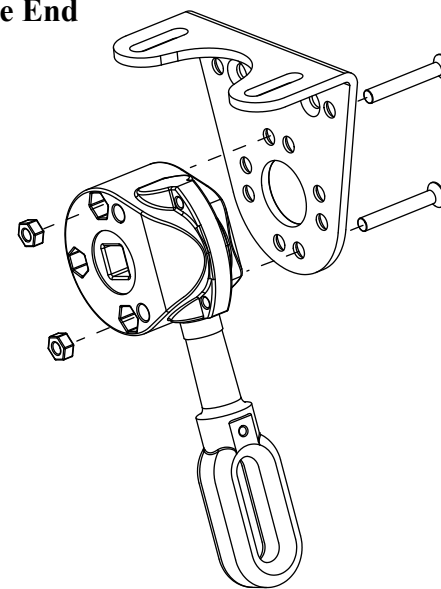


! The control side is the side with the Gearbox attached.
Right Hand Control Shown.

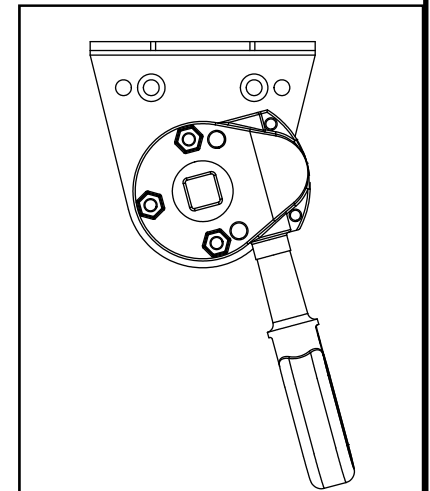


ii Secure gearbox to bracket as shown.

Drive End



! The control side is the side with the Gearbox attached.
Right Hand Control Shown.



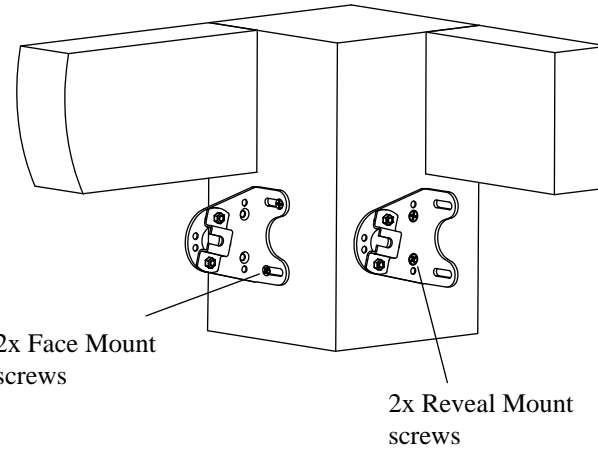
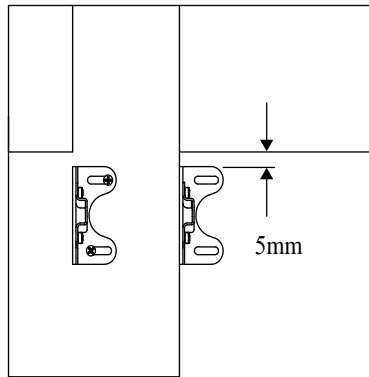
ii Secure gearbox to bracket as shown.

Install top brackets - reveal mount or face mount.

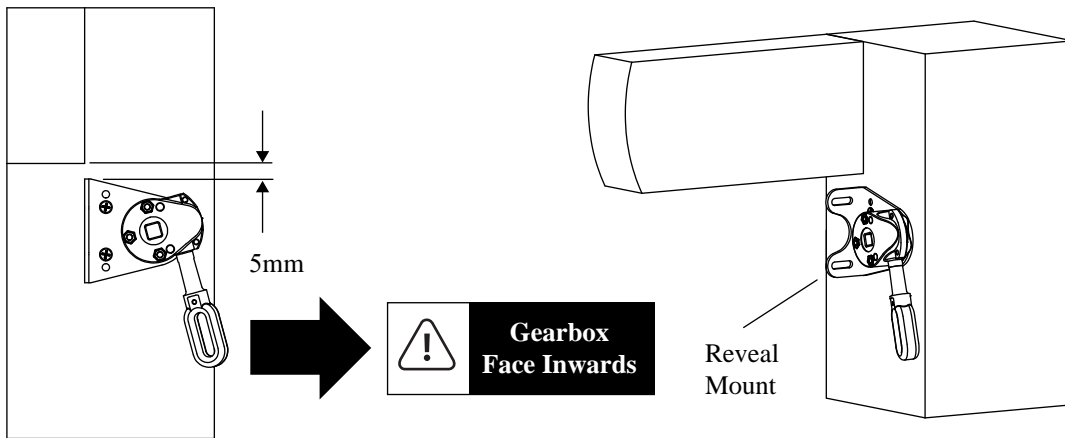


Important Note:

Brackets come as a pair.
The control is the side with the gear box or motor adaptor attached.
Gear boxes are only available in black or white.

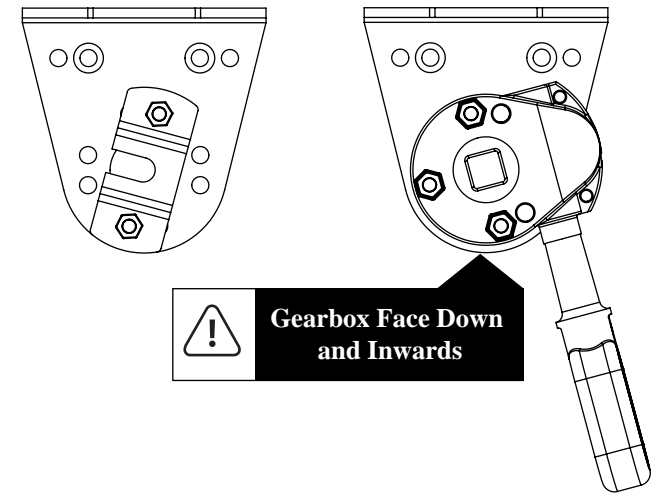
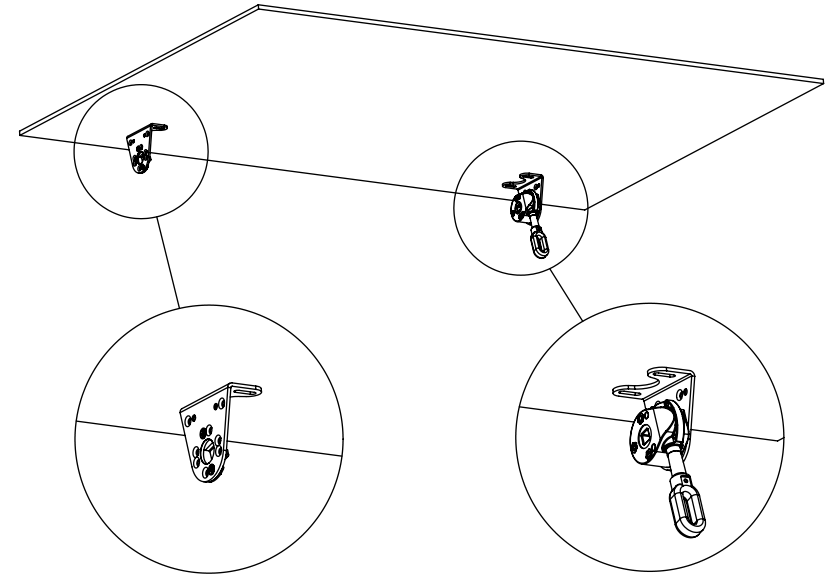


1 Fix brackets either *Face Mount* or *Reveal Mount* 5mm below the bottom face of structure.



2 Fix bracket with gearbox either *Face Mount* or *Reveal Mount* 5mm below the bottom face of the structure.
⚠ Install gearbox facing inwards.

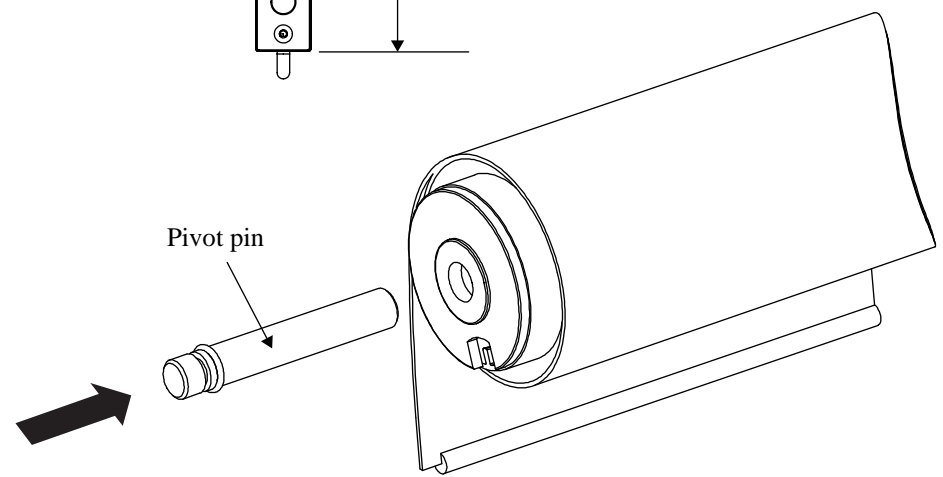
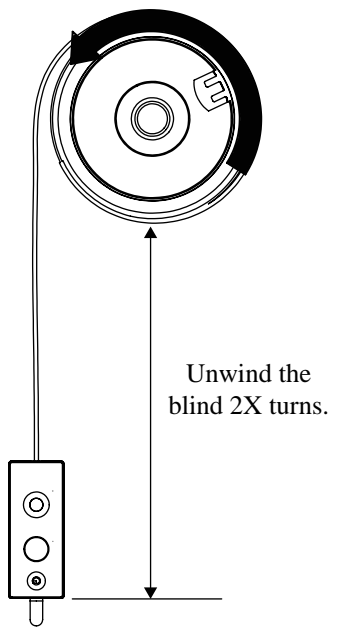
Install top brackets - ceiling mount.



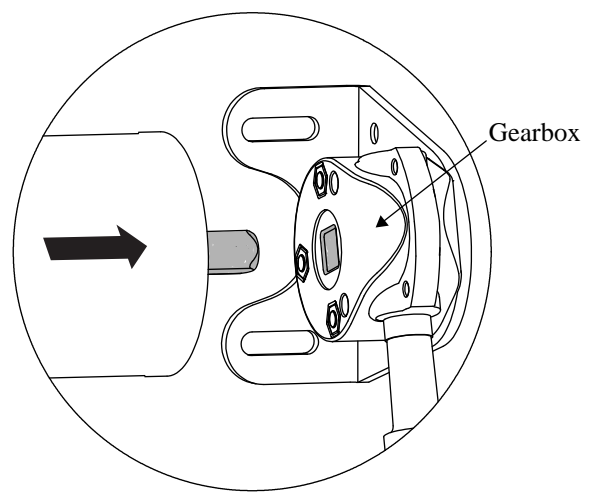
3 Fix brackets facing down on ceiling with gearbox facing inwards.
⚠ Install gearbox facing down and inwards.

Mounting the blind - Mechanical or Motorised.

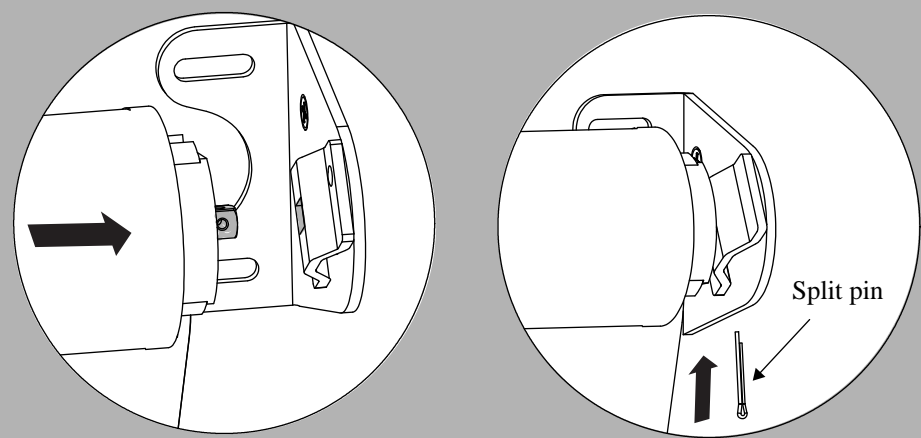
Important Note:
Unwind the blind two turns before fitting it to the brackets.



4 Insert the pivot pin into the hole in the end of the idler side.

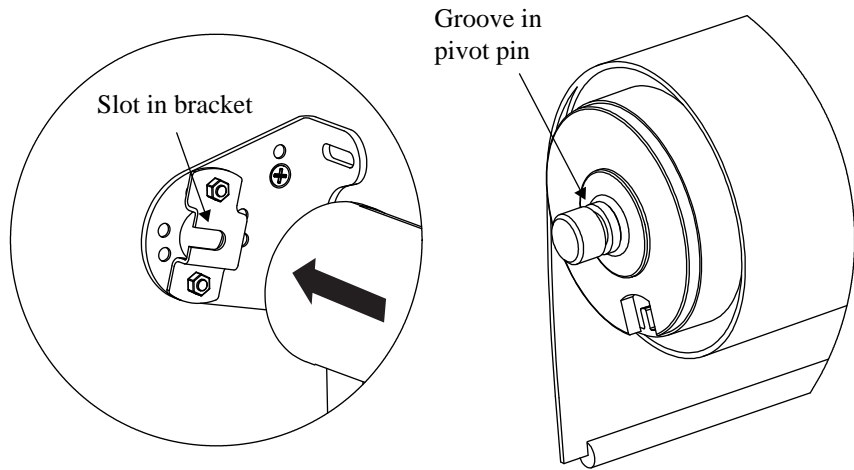


5 **MECHANICAL BLIND** - Align and insert the square pin of the drive end into the gearbox.



6 **MOTORISED BLIND** - Align and insert the square pin of the drive end into the square hole in the bracket. Then insert split pin into hole in drive end to secure.
⚠ Refer to the *Motor Program Quick Guide* to connect power to the blind.

Mounting the blind - Mechanical or Motorised (continued).

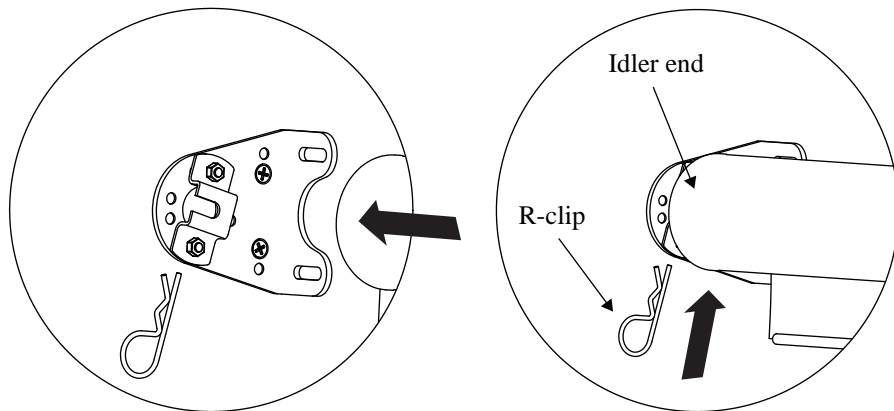


7 Align and locate the groove on the pivot pin into slot in the idler bracket.

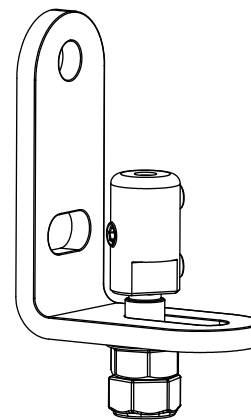


9 The blind is in position for both Mechanical and Motorised versions.

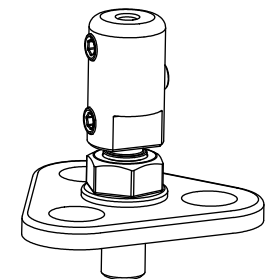
Bottom bush mounting options.



8 Align R-clip with the two holes in the bracket and secure idler end.

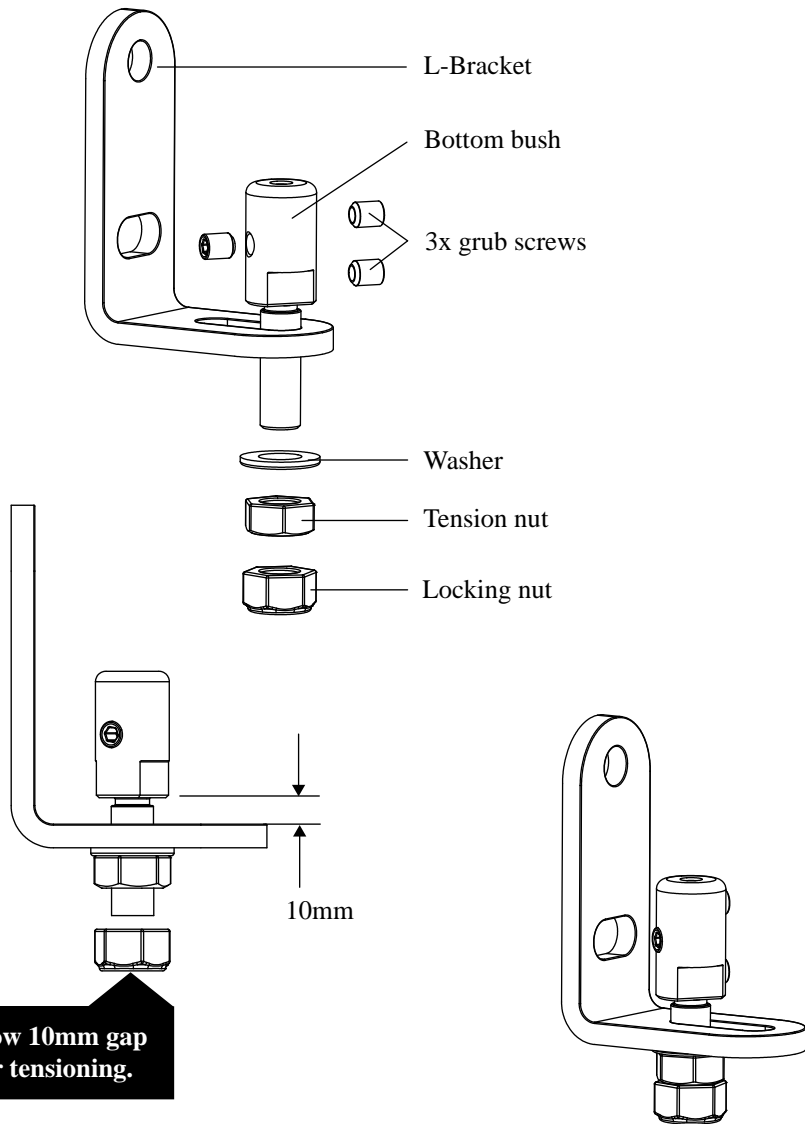


10 **L BRACKET** - wall or post mounting.
Continue with steps 11 - 13.



DECK PLATE - floor or top mounting.
Continue with steps 14 - 16.

L Bracket bottom bush - wall or post mounting option.

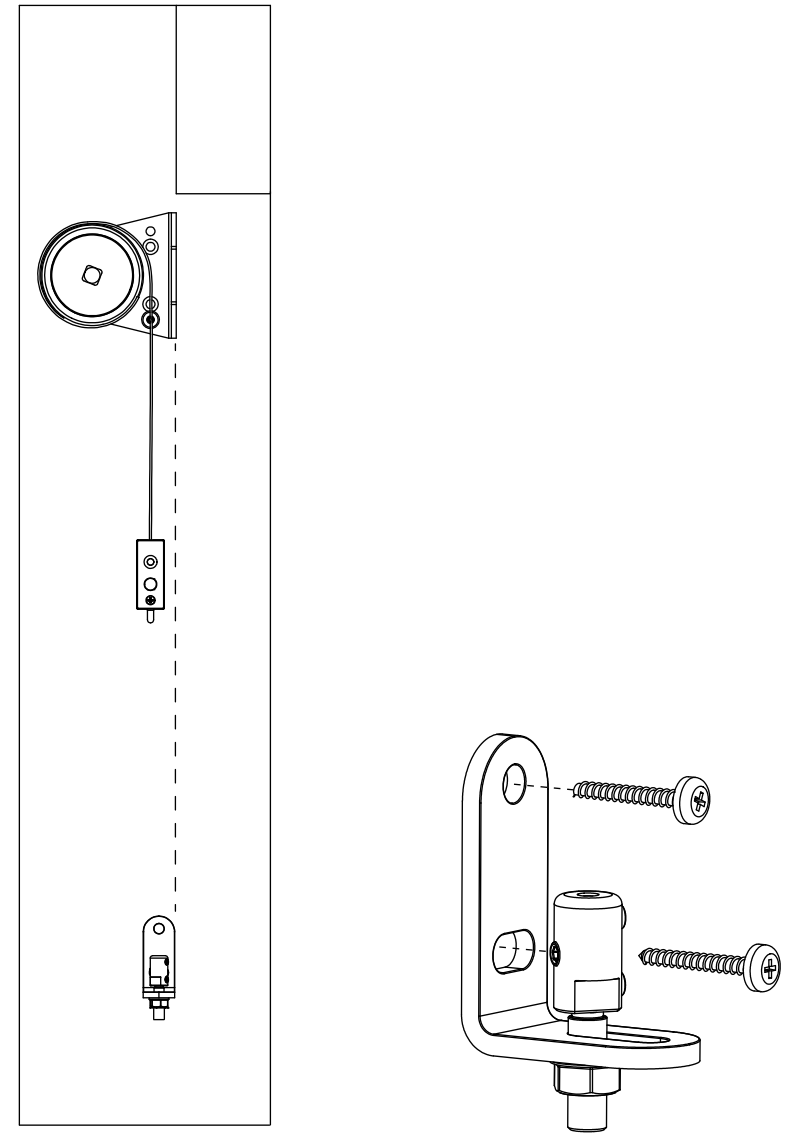


Allow 10mm gap for tensioning.

11

Allow a gap of 10mm between the bracket and bottom bush for tension.

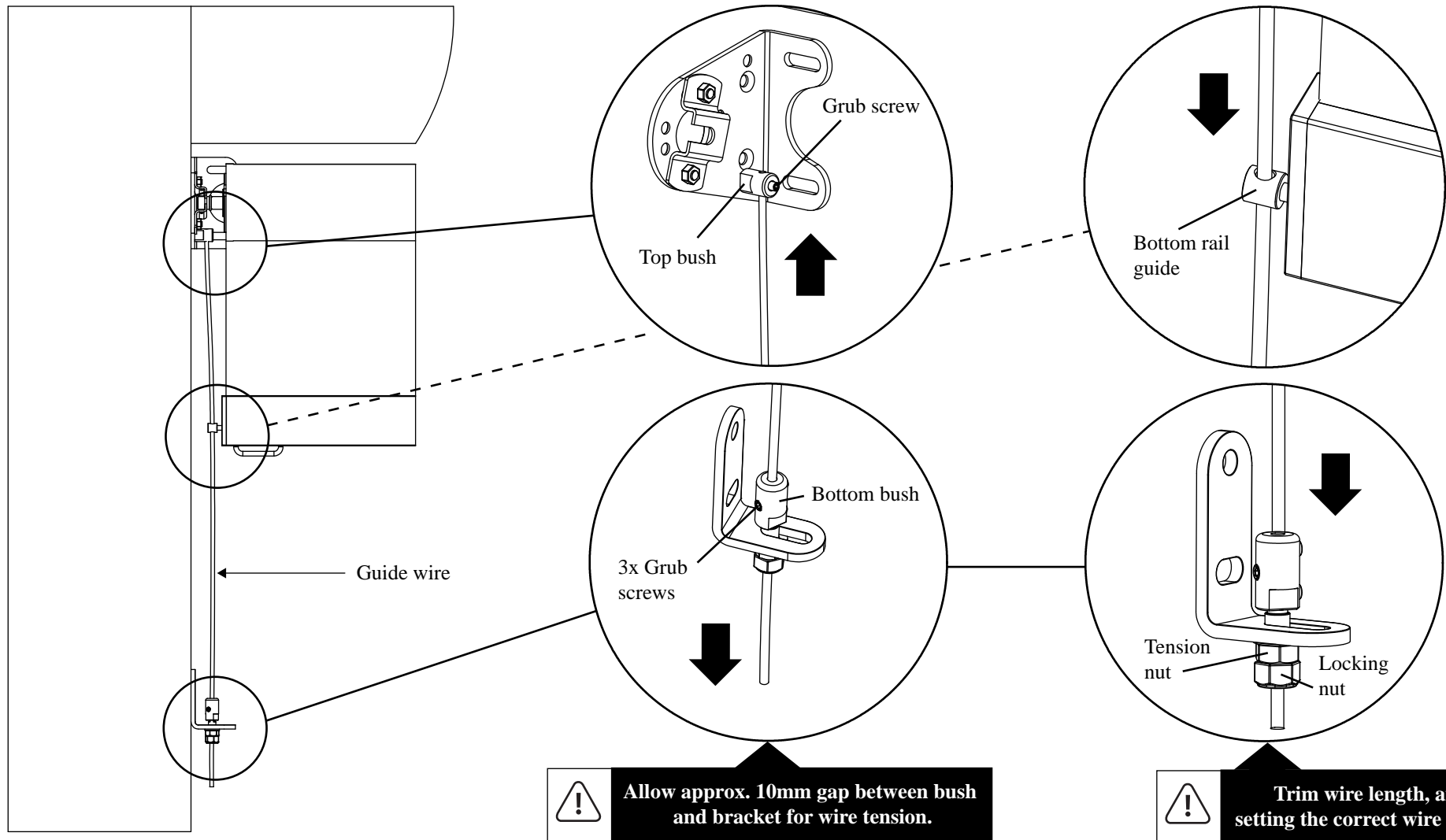
Alignment and mounting the L Bracket bottom bush.



12

- 1) Align L-Bracket bottom bush, approximately with the outside of the top bracket.
- 2) Mark and drill holes for fixing screws.
- 3) Fix to wall or post.

Install guide wire for L Bracket bottom bush.

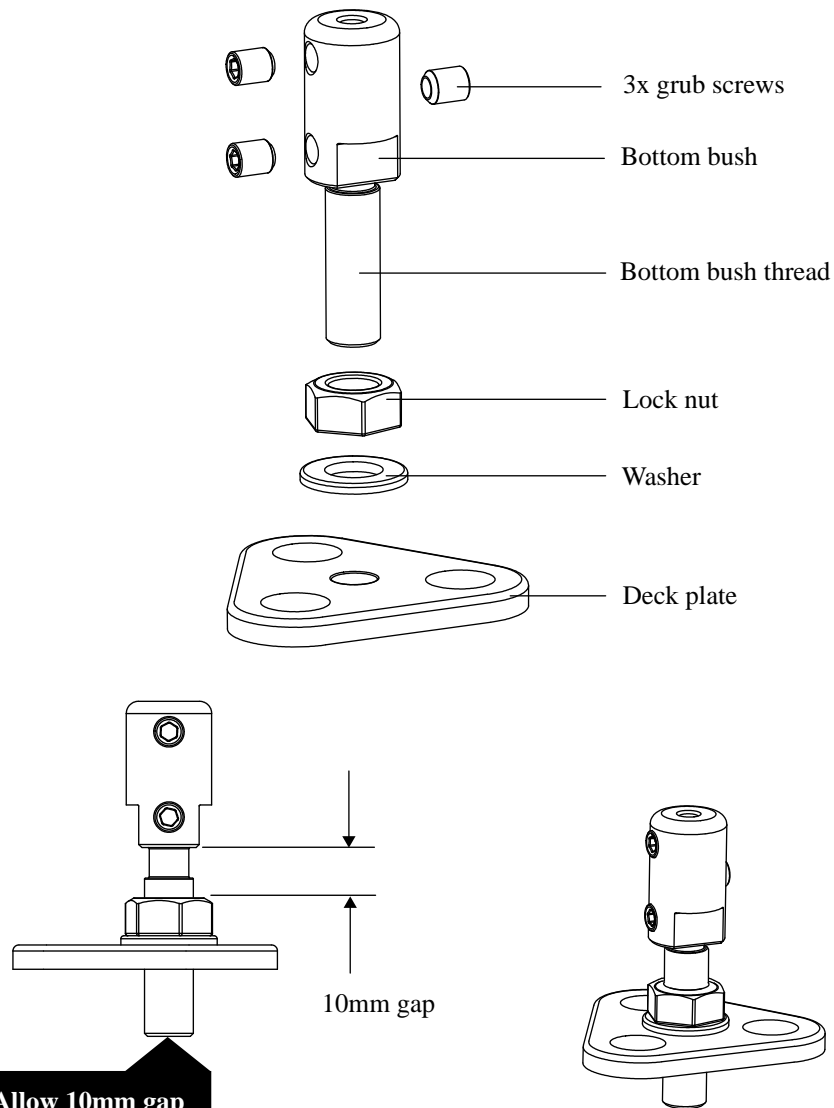


! Allow approx. 10mm gap between bush and bracket for wire tension.

! Trim wire length, after setting the correct wire tension.

- 1) Fit the guide wire to the top bush, align through the hole and secure wire with grub screw.
- 2) Thread the wire through the guide on the bottom rail.
- 3) Align and thread the wire through the hole in the bottom bush, pull the wire to provide tension, secure wire with the 3x grub screws.
- 4) Rotate the tension nut to apply tension to the wire, allow approx. 10mm gap between bush and bracket for wire tension.
- 5) Secure bottom bush with locking nut.
- 6) Trim excess wire after correct wire tension.
- 7) *Continue with step 17 for installation instructions.*

Deck plate bottom bush - floor or top mounting option.

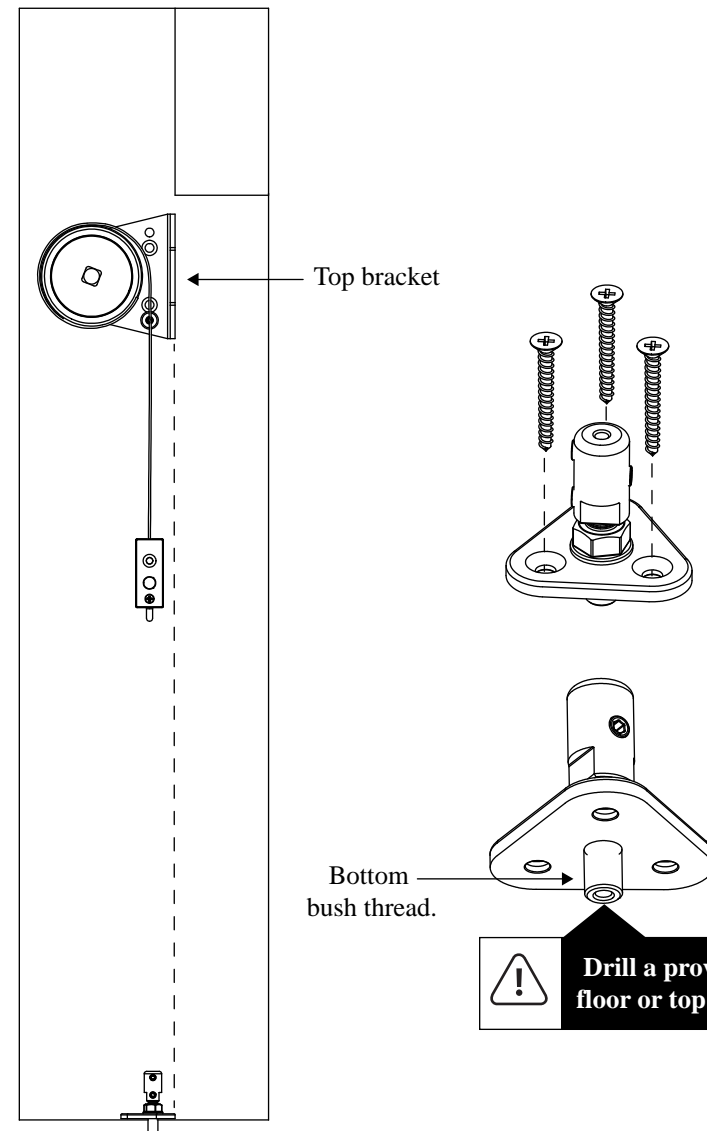


Allow 10mm gap for wire tension.

14

Assemble the bottom bush and allow a gap of 10mm between the lock nut and bush for wire tension.

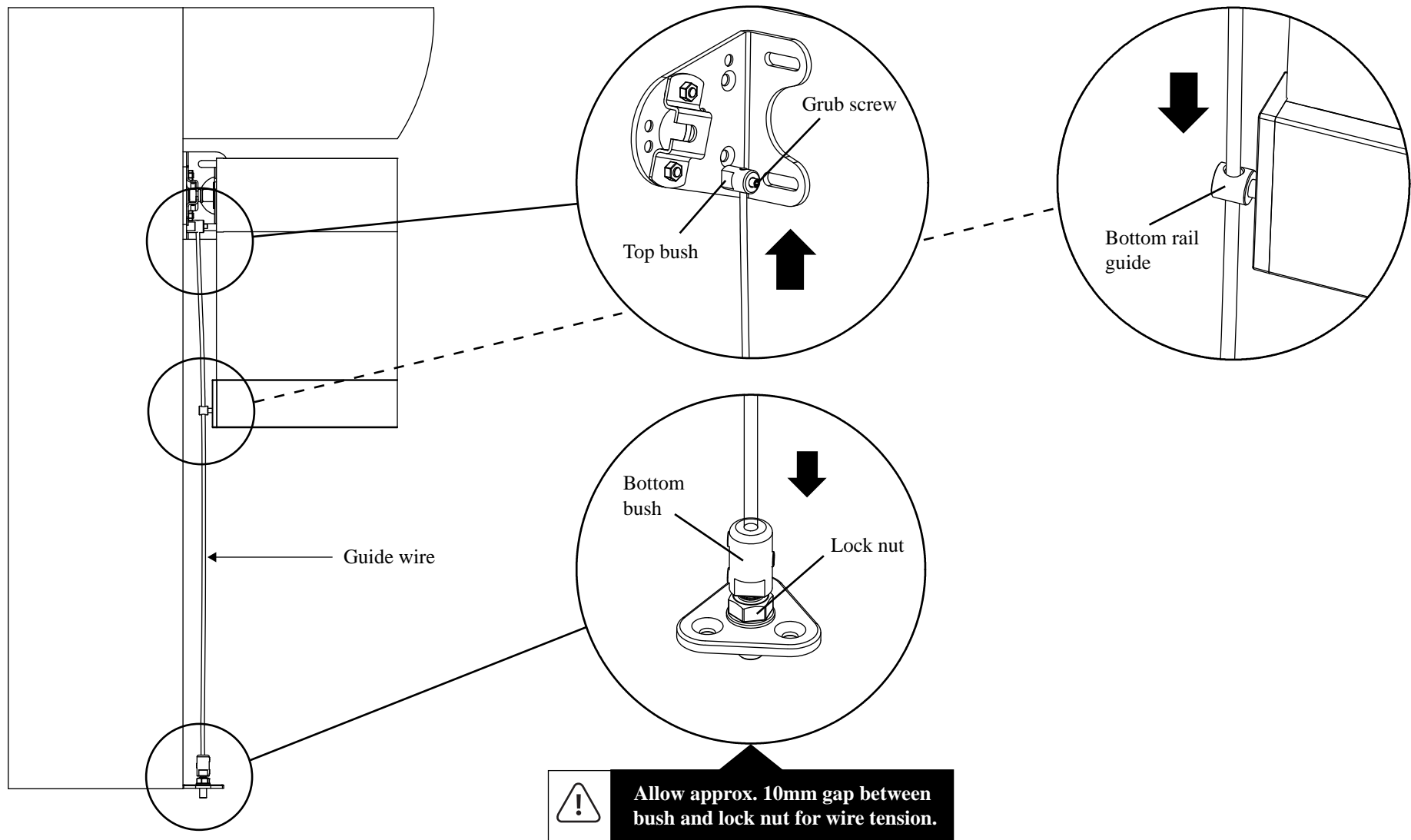
Align and mount the deck plate bottom bush.



15

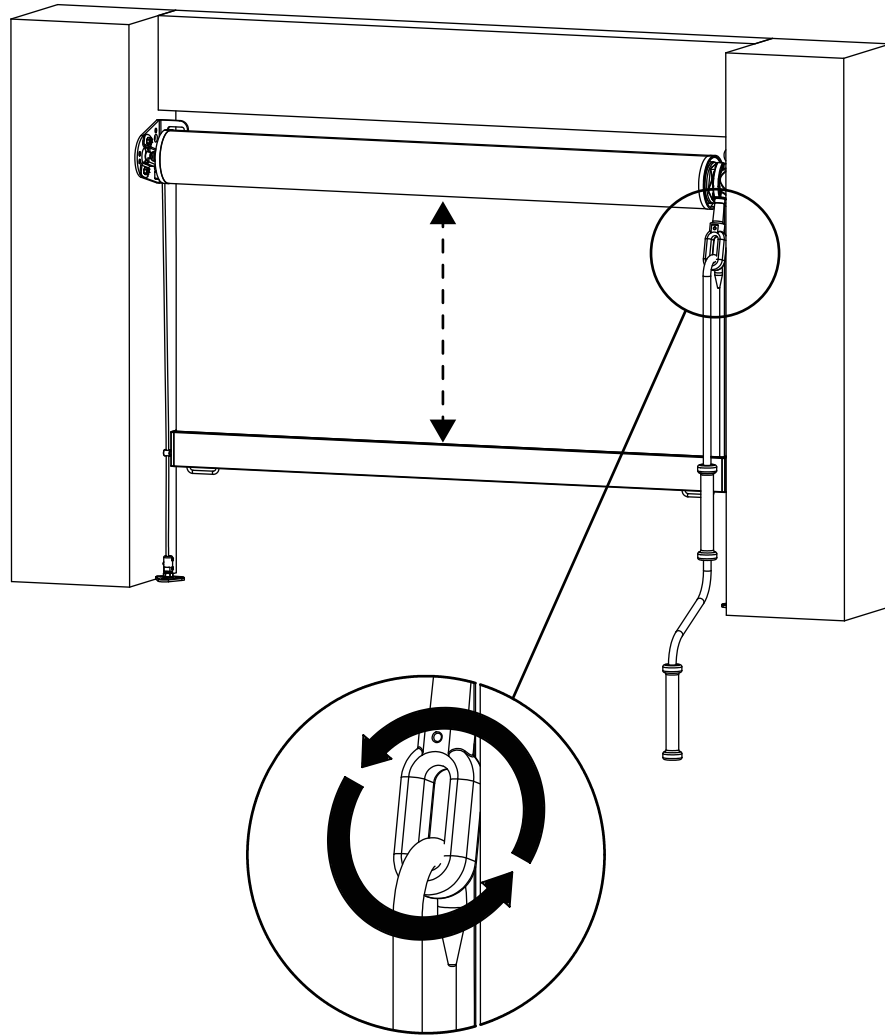
- 1) Align deck plate bottom bush, approximately with the outside of the top bracket.
- 2) Mark and drill holes from fixing screws.
- 3) Mark and drill provisional hole for bottom bush thread.
- 4) Fix to floor or top face.

Install guide wire for deck plate bottom bush.



- 1) Fit the guide wire to the top bush, align through the hole and secure wire with grub screw.
- 2) Thread the wire through the guide on the bottom rail.
- 3) Align and thread the wire through the hole in the bottom bush, pull the wire to provide tension, secure wire with the 3x grub screws.
- 4) Rotate the bottom bush to apply tension to the wire, allow approx. 10mm gap between bush and lock nut for wire tension.
- 5) *Continue with step 17 for installation instructions.*

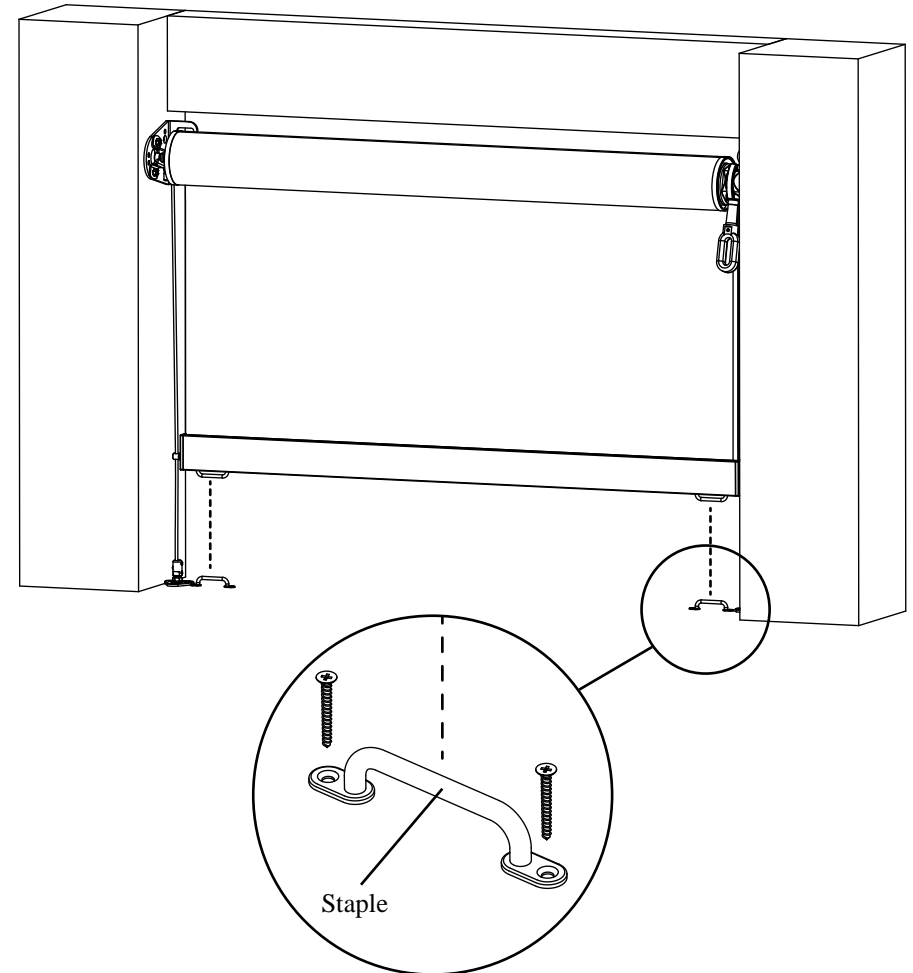
Raise and lower the blind.



17

With the blind and guide wires in position, use the crank handle to rotate the gearbox to raise and lower the blind to the desired position.

Align and position staples to secure blind.



Align and position staple with staple fixed to bottom rail.

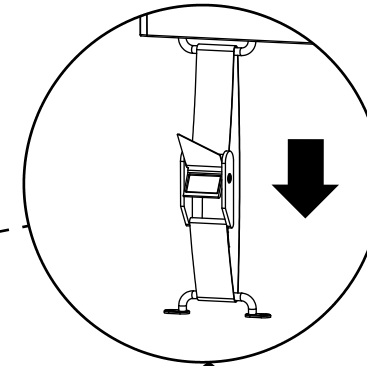
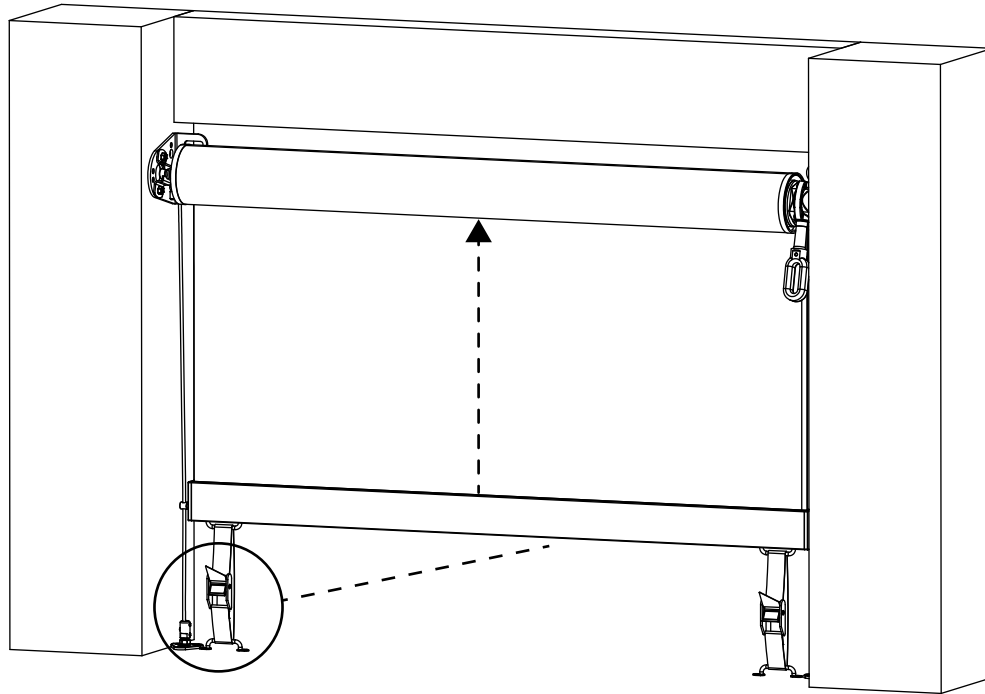
18

Align staples with staples fixed to the bottom rail. Position and fix staples to floor, wall or hand rail.

Secure the blind.



Important Note:
Do not over tension the blind.



Secure blind with straps. Raise blind with crank handle to tension blind. Do not over tension.

Secure blind against wind damage with straps through top and bottom staples. Raise the blind to tension, do not over tension blind.

DISCLAIMER

We guarantee that all our products will be free from defects in components and manufacture for a period of **twelve months** from the date of purchase.

All goods supplied are guaranteed against mechanical default in normal domestic use and the supplier will repair or replace at its discretion such components that prove faulty in operation. Damage caused by accidents, alterations, misuse, abuse or wear and tear are not covered by this warranty.

Under the guarantee, the supplier shall not be liable or responsible for incidental or consequential damages or for any other direct or indirect damage, loss, cost, expense or fee. The benefits conferred by this Guarantee are in addition to all other rights and services which the purchaser has under the Trade Practices Act 1974 and similar state and territory laws.

All warranties are conditional. For the warranty to be valid, customers must strictly adhere to both the installation and care instructions provided. The warranty does not cover variances in colours and textures from batch to batch. In addition, a receipt providing proof of purchase is required for any warranty claims.