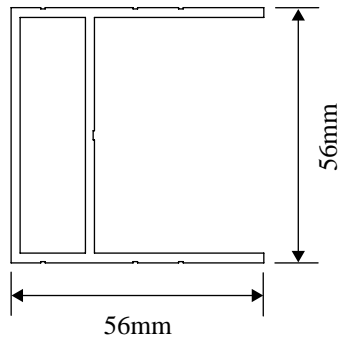


Mechanical Blind Assembly

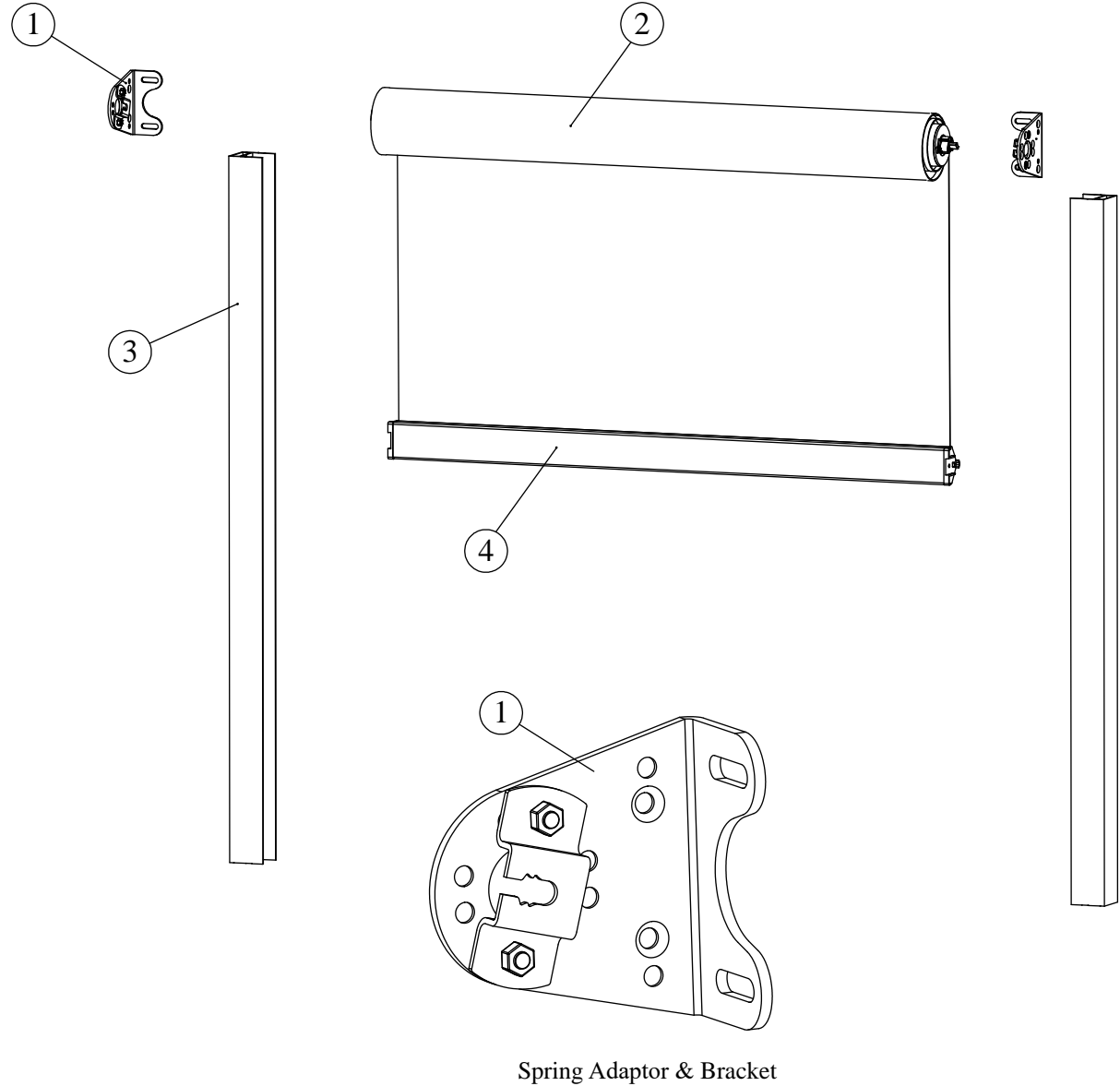
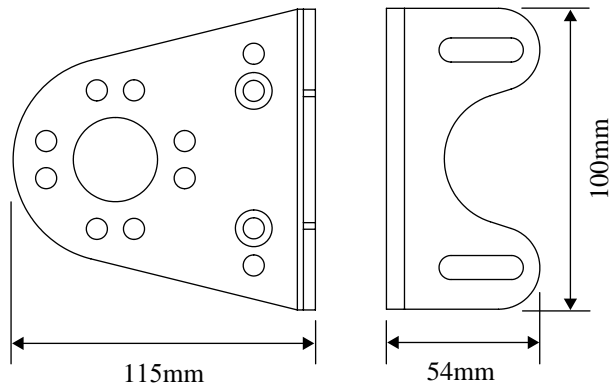
Table: Bill of Materials

ITEM NO.	DESCRIPTION	QTY
1	SPRING ADAPTOR & BRACKET	2
2	BLIND ASSEMBLY	1
3	CHANNEL	2
4	BOTTOM RAIL	1

Twist Lock Channel



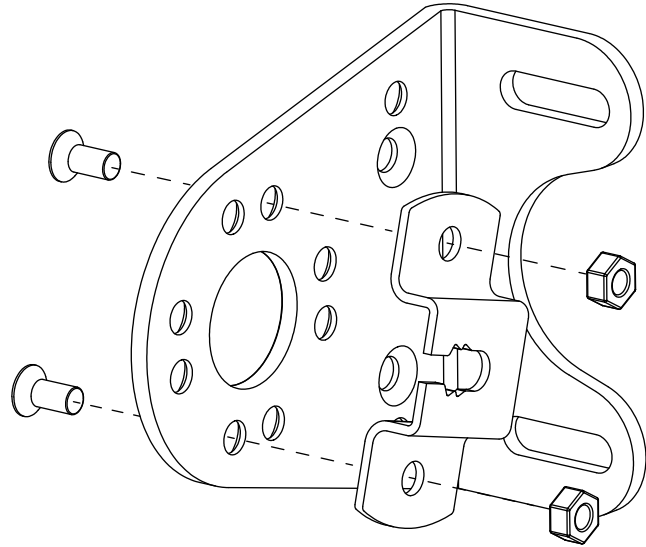
Mounting Bracket



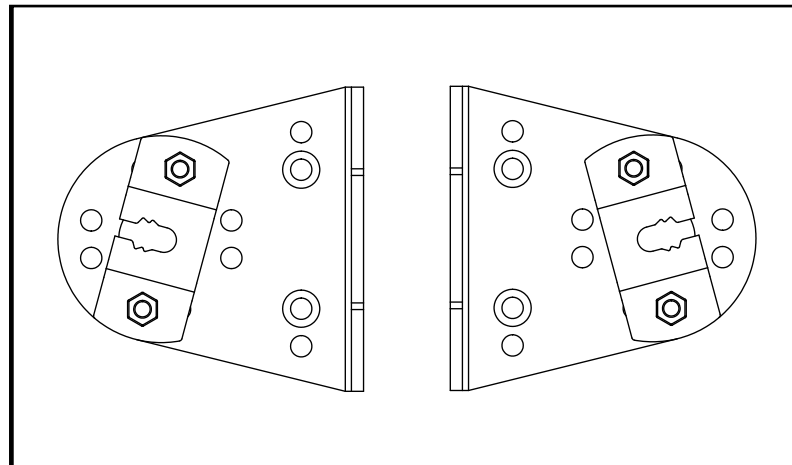
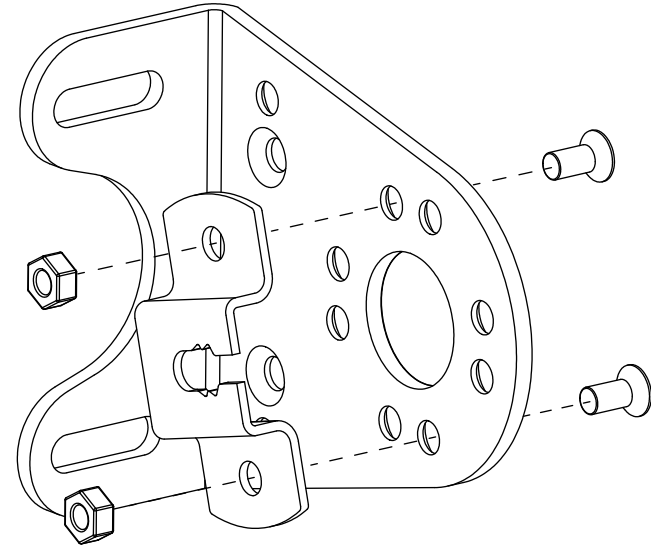
Spring Adaptor & Bracket

Assemble top brackets - reveal mount or face mount.

Left Side Bracket

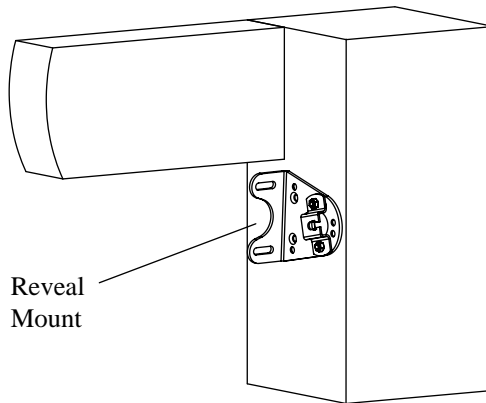
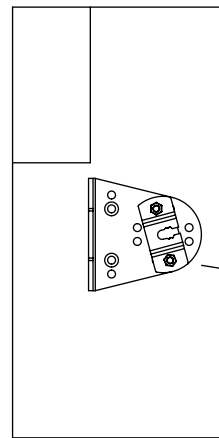
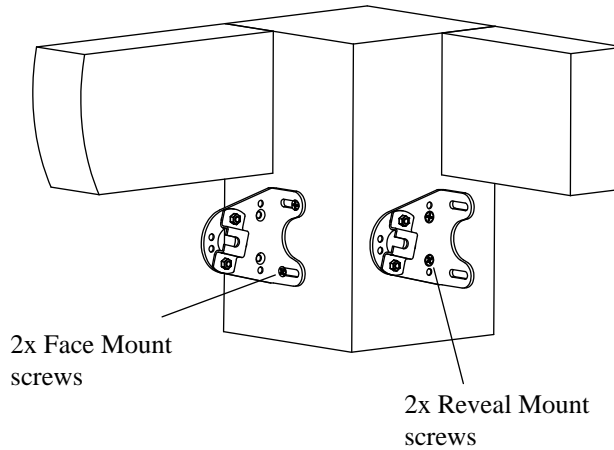
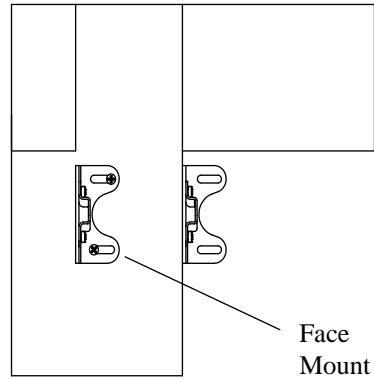


Right Side Bracket

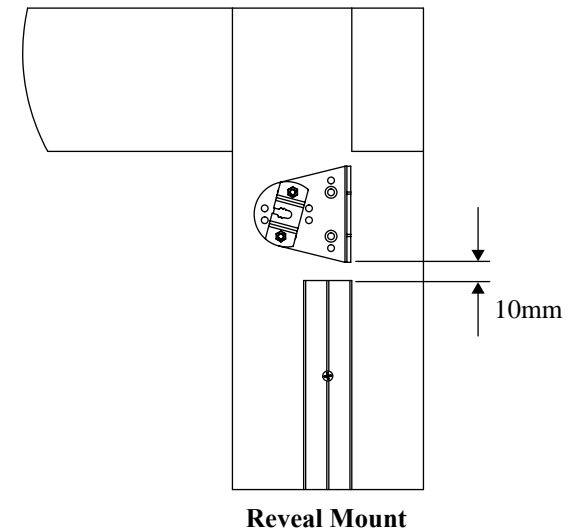
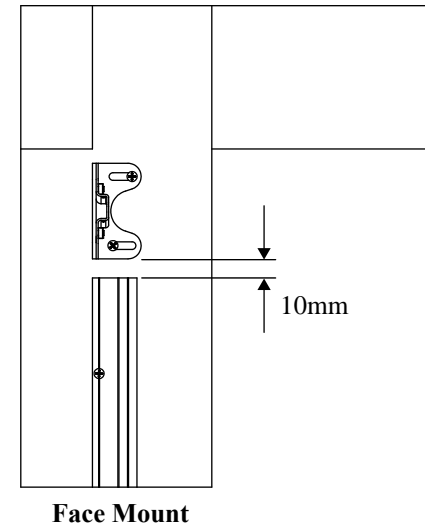


Secure spring adaptor to brackets as shown.

Install top brackets - reveal mount or face mount.



Install channels - reveal mount or face mount.

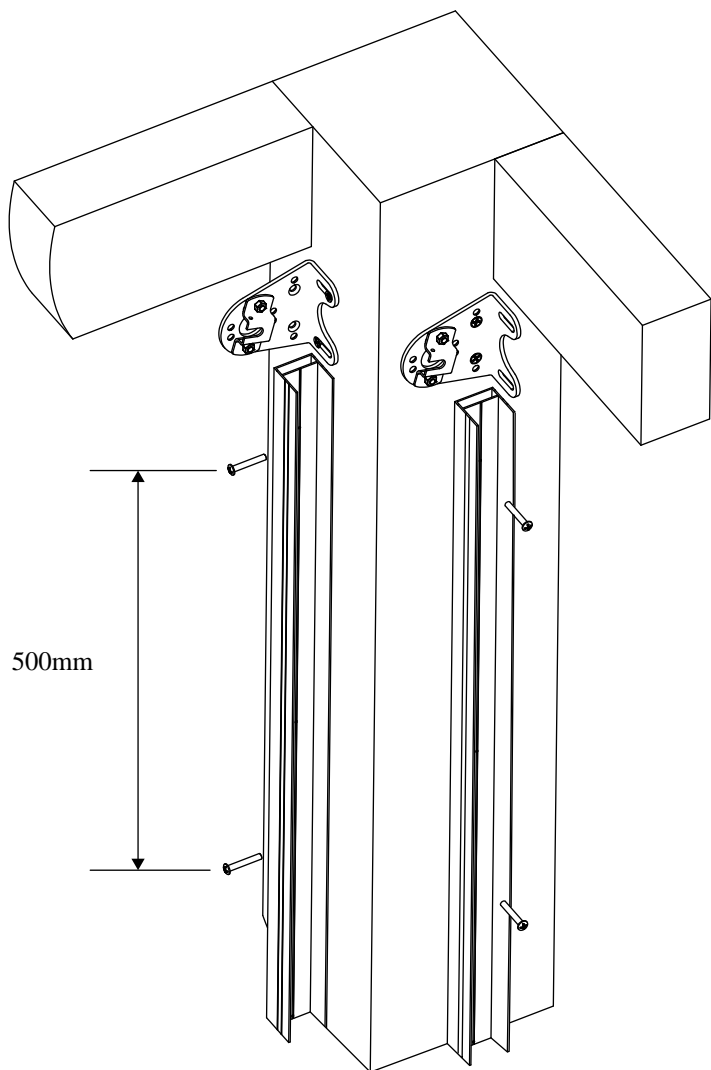


Cut Channels to size (110mm less than opening size to allow for brackets and clearances).

1 Fix spring adaptor brackets either *Face Mount* or *Reveal Mount* below the bottom face of the structure.

2 Align back edge of the channel with the back edge of the brackets and 10mm below the bottom edge.

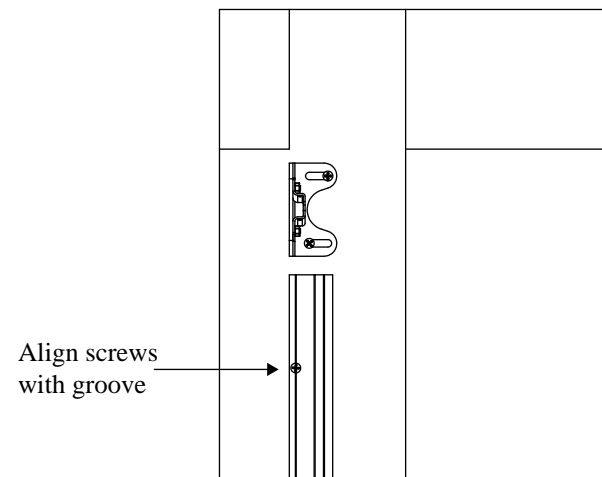
Install channels - reveal mount or face mount (continued).



1) Attach channel with a minimum of five screws evenly spaced, minimum of 500mm spacing between screw fixings.

⚠ Depending on the structure (metal/timber/masonry), pilot holes may be required and longer screws necessary for thicker structures.

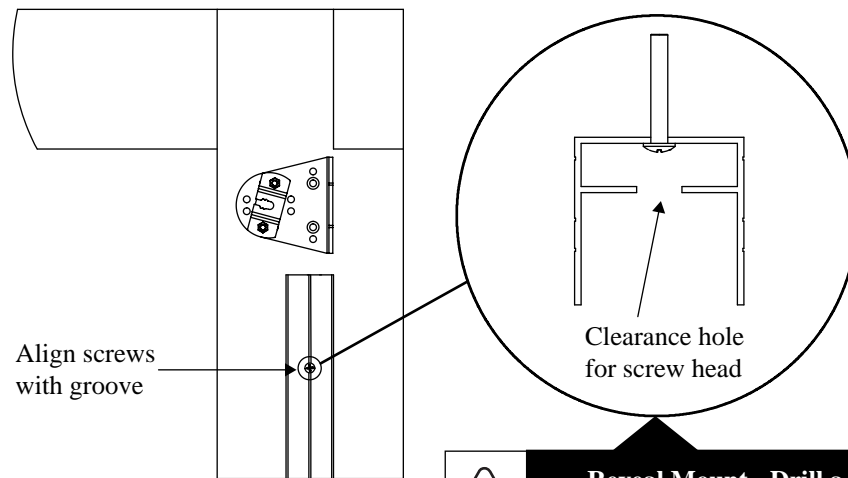
3



Align screws with groove

Face Mount

Fix screws to the front face along the groove of the channel.



Align screws with groove

Reveal Mount

Fix screws to the inside face along the groove center of the channel.



Reveal Mount - Drill a clearance hole into the section.

- 1) Align screws with groove on channel for *Face Mount* or *Reveal Mount*.
- 2) Drill a clearance hole for the screw head to pass through into the rear cavity of the section for a *Reveal Mount*.

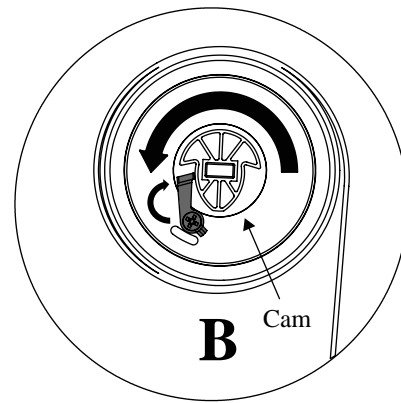
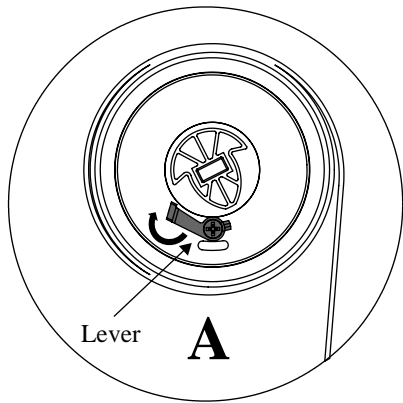
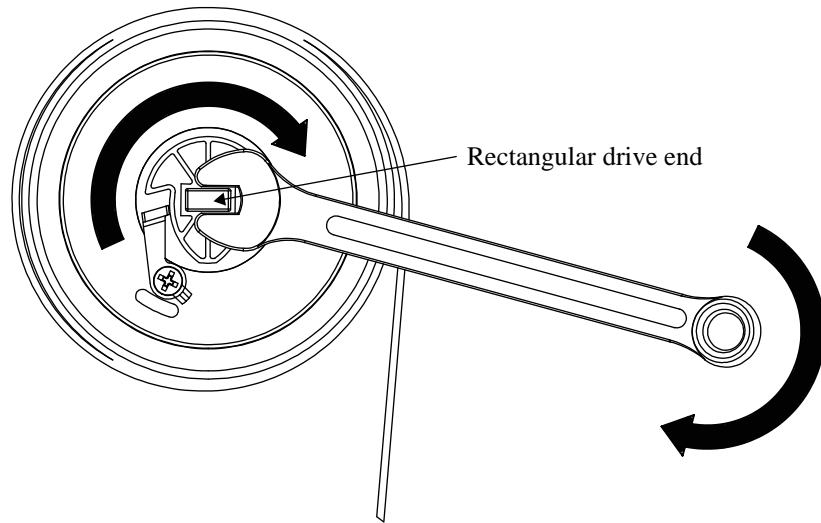
4

Tension the blind before mounting.



Important Note:

Tension the blind 10-15x turns before fitting it to the brackets.

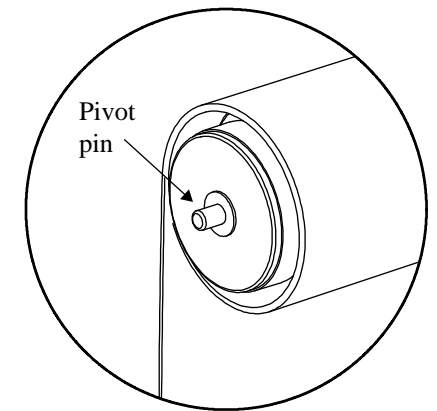
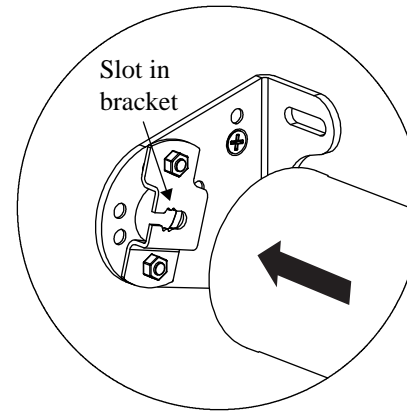


⚠ Tension the blind before fitting it to the brackets.

- 1) Rotate the rectangular drive end 10-15x turns with either a shifter or spanner.
- 2) Rotate the lever (A) on the end of the blind to engage the cam (B). This will prevent the cam from rotating and set the spring tension.

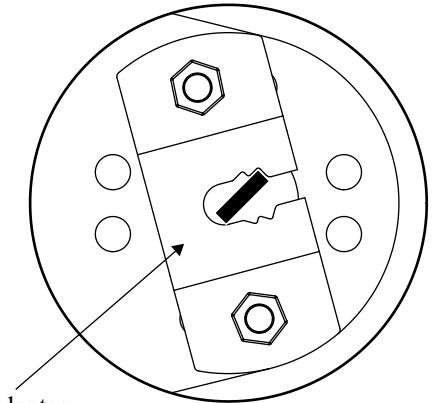
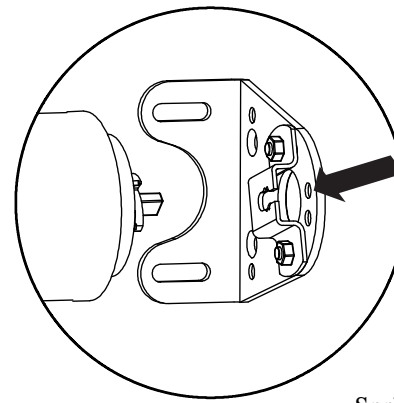
5

Mounting the blind.



6

Align and locate the pivot pin into the slot in the spring adaptor.




7

Align and insert the rectangular drive end into the spring adaptor.. When the blind is under tension this will twist and lock into place.

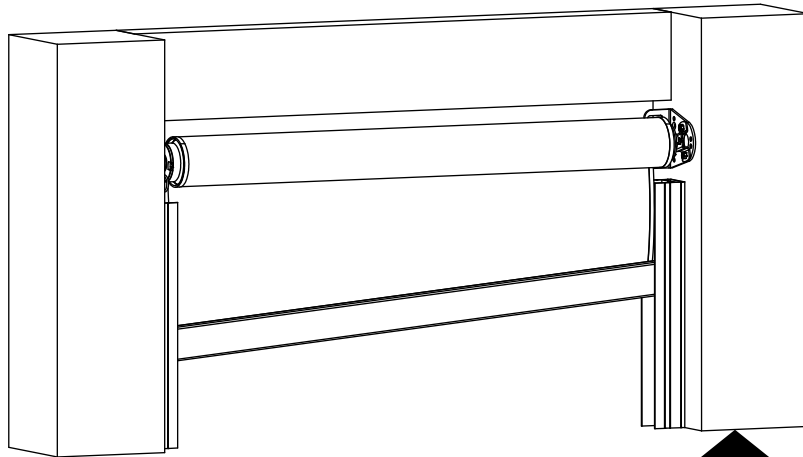
Insert the bottom rail into the channels.




 **Caution - Blind will retract automatically.**

8

With the blind in position pull firmly down to release and unwind the blind.

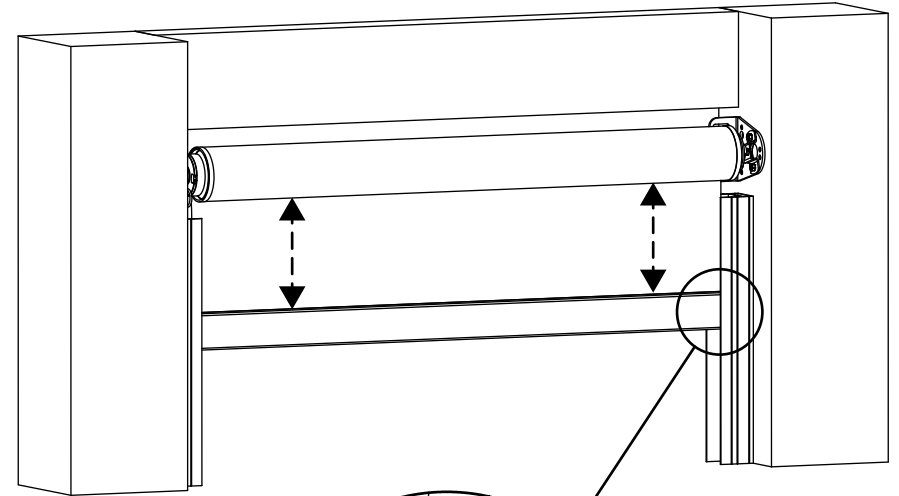


 **Insert bottom rail diagonally into the channel.**

9

Carefully align and insert the bottom rail diagonally into the channels, fitting one side first before the other.

Raise and lower the blind.



 **Caution - Blind will retract automatically.**

10

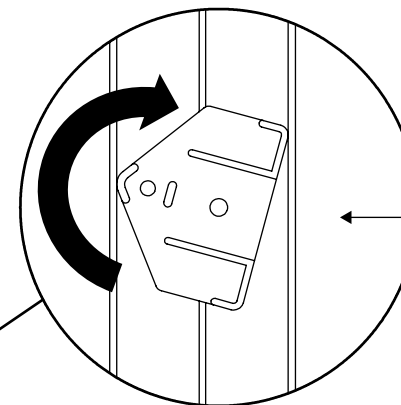
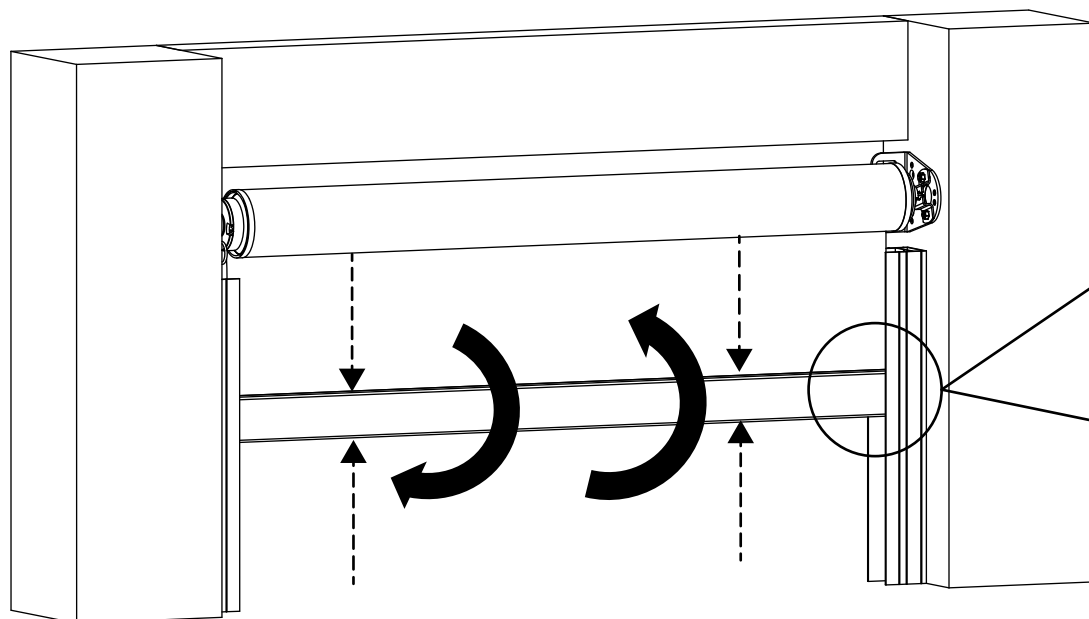
- 1) To lower the blind, pull firmly down on the bottom rail.
- 2) When raising the blind, guide the bottom rail to prevent it from rotating in the channel.

Secure the blind at the desired position.



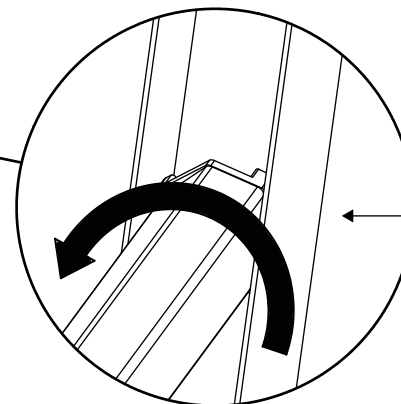
Important Note:

Rotate the bottom rail forward to secure or back to release the blind to raise or lower for the desired position.



SECURE BLIND

Rotate bottom rail forward in the section to secure.



RELEASE BLIND

Rotate bottom rail back to centre in the section to release.

DISCLAIMER

We guarantee that all our products will be free from defects in components and manufacture for a period of **twelve months** from the date of purchase.

All goods supplied are guaranteed against mechanical default in normal domestic use and the supplier will repair or replace at its discretion such components that prove faulty in operation. Damage caused by accidents, alterations, misuse, abuse or wear and tear are not covered by this warranty.

Under the guarantee, the supplier shall not be liable or responsible for incidental or consequential damages or for any other direct or indirect damage, loss, cost, expense or fee. The benefits conferred by this Guarantee are in addition to all other rights and services which the purchaser has under the Trade Practices Act 1974 and similar state and territory laws.

All warranties are conditional. For the warranty to be valid, customers must strictly adhere to both the installation and care instructions provided. The warranty does not cover variances in colours and textures from batch to batch. In addition, a receipt providing proof of purchase is required for any warranty claims.

To secure the blind at the desired position, rotate the bottom rail forward in the section.

To release, rotate the bottom rail back to centre in the section and guide to desired position.