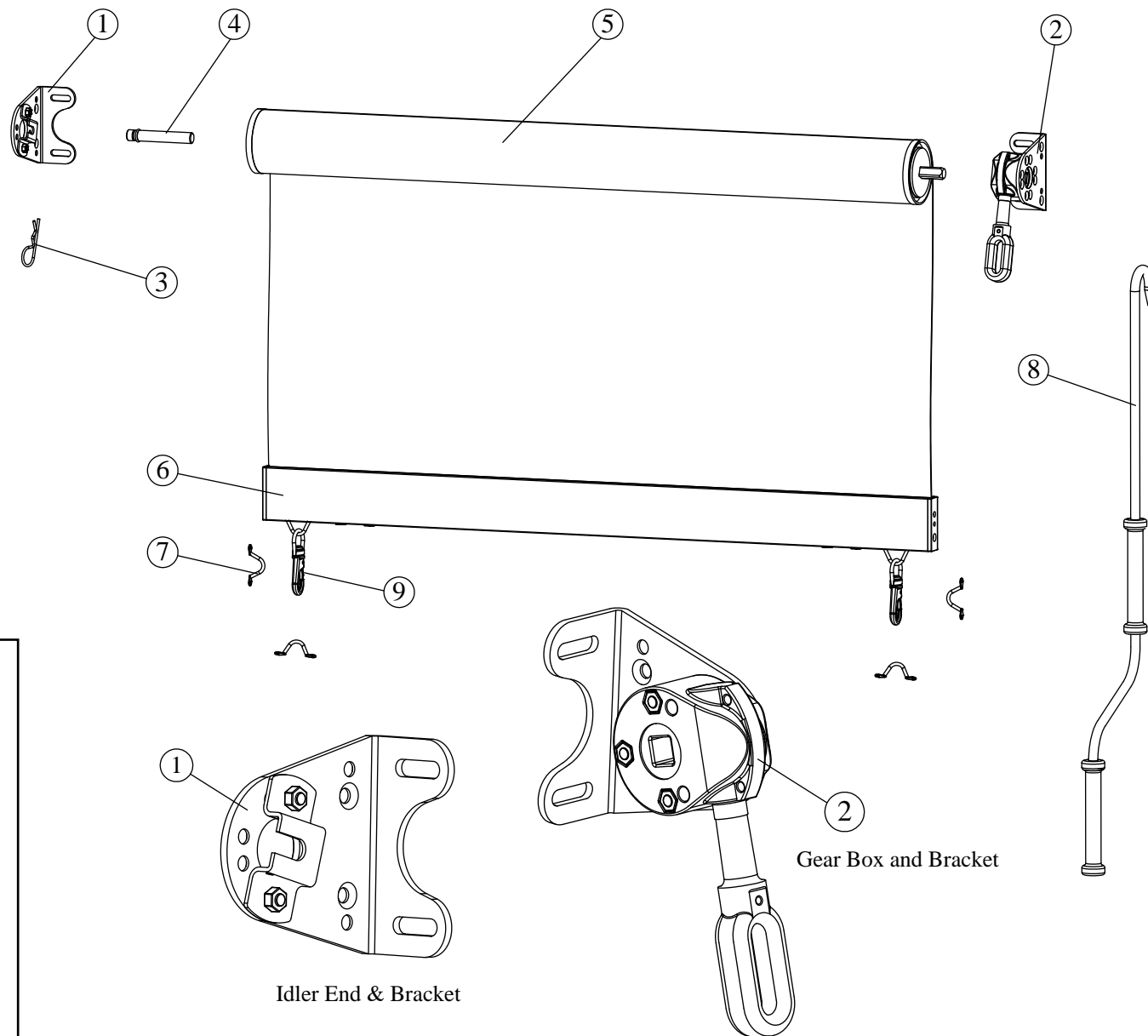


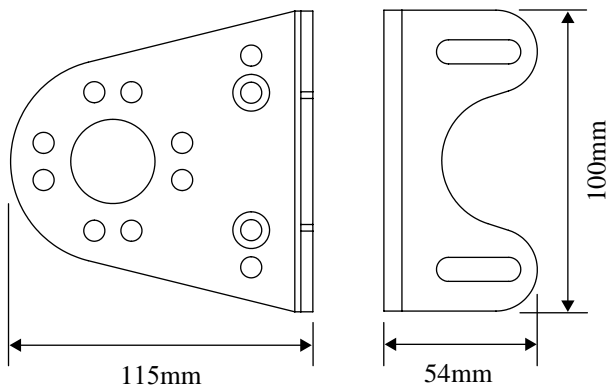
Mechanical Blind Assembly

Table: Bill of Materials

ITEM NO.	DESCRIPTION	QTY
1	IDLER END BRACKET	1
2	GEARBOX AND BRACKET	1
3	R CLIP	1
4	PIVOT PIN	1
5	BLIND ASSEMBLY	1
6	BOTTOM RAIL	1
7	SADDLE	4
8	CRANK HANDLE	1
9	SNAP HOOK	2



Mounting Bracket

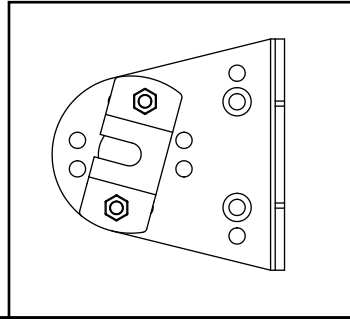
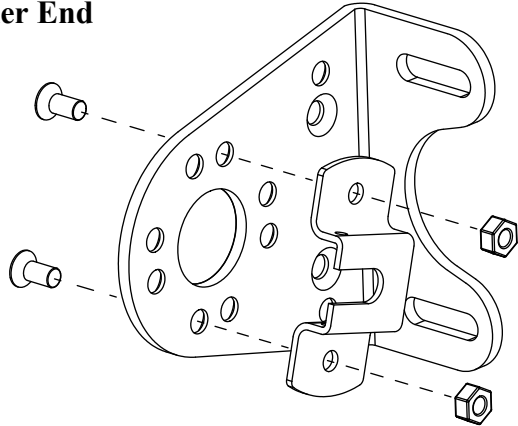


Idler End & Bracket

Gear Box and Bracket

Assemble top brackets - reveal mount or face mount.

Idler End

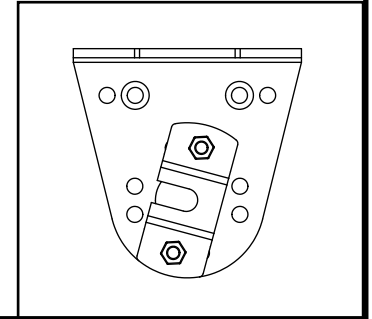
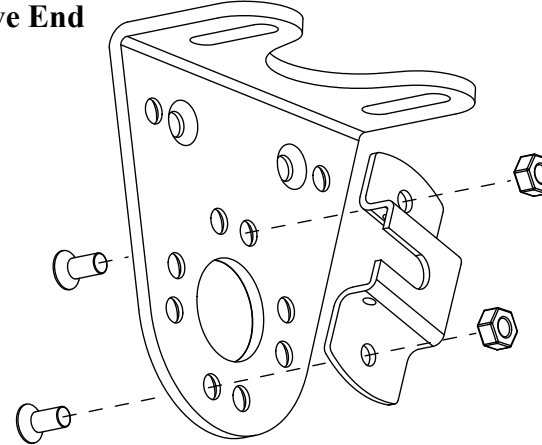


i

Secure idler end to bracket as shown.

Assemble top brackets - ceiling mount.

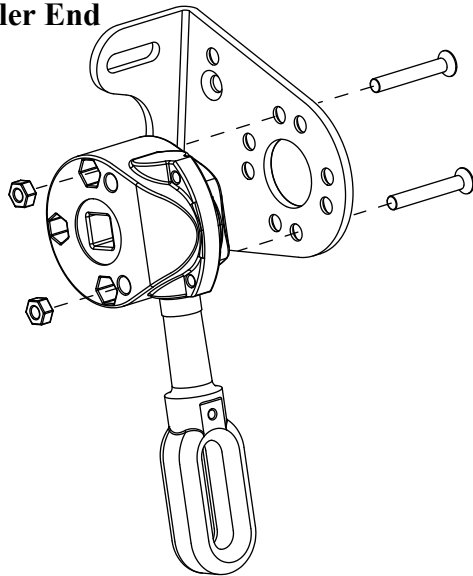
Drive End



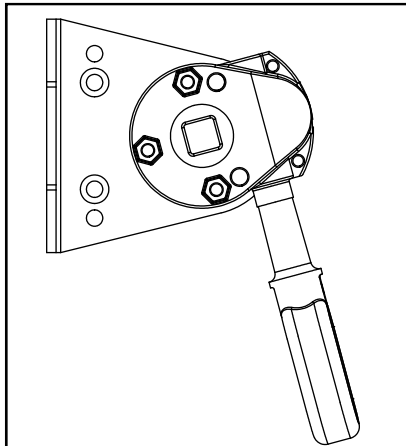
i

Secure idler end to bracket as shown

Idler End



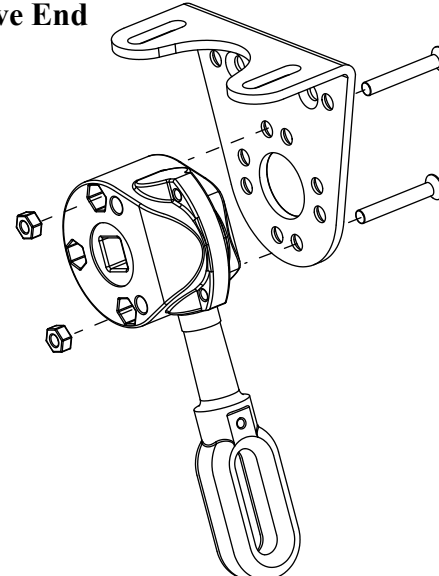
! The control side is the side with the Gearbox attached.
Right Hand Control Shown.



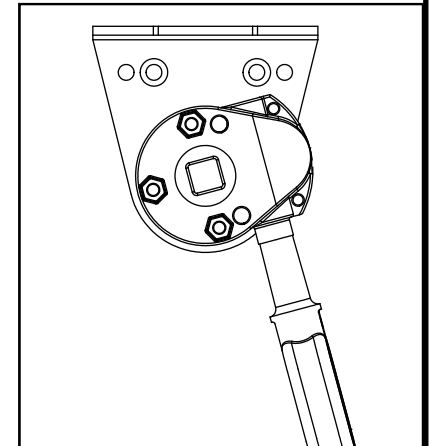
ii

Secure gearbox to bracket as shown.

Drive End



! The control side is the side with the Gearbox attached.
Right Hand Control Shown.



ii

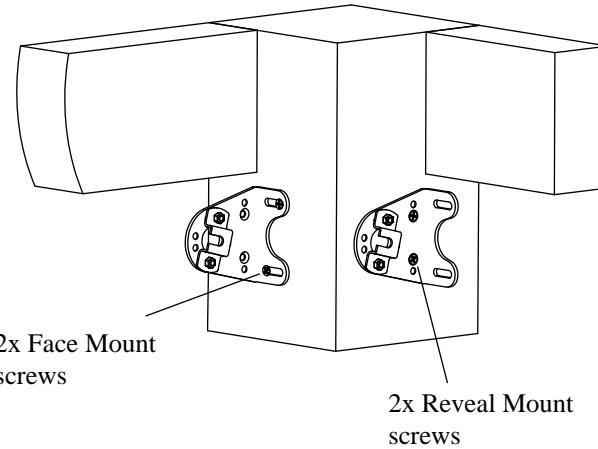
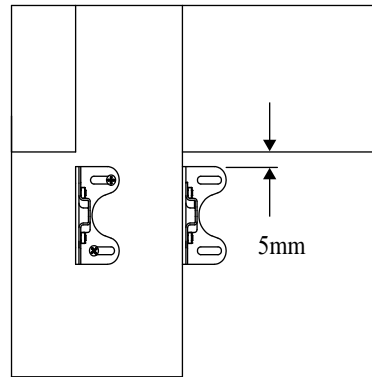
Secure gearbox to bracket as shown.

Install top brackets - reveal mount or face mount.

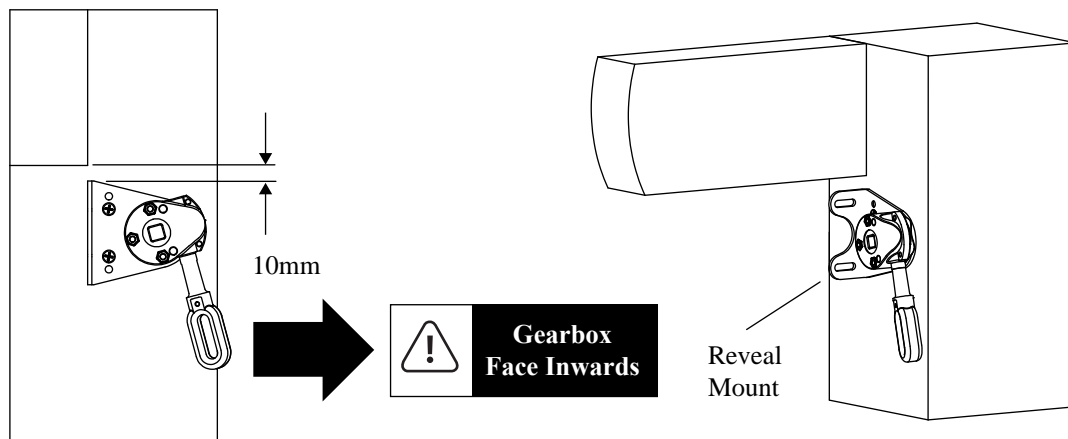


Important Note:

Brackets come as a pair.
The control side is the side with the gearbox attached.
Gear boxes are only available in black or white.



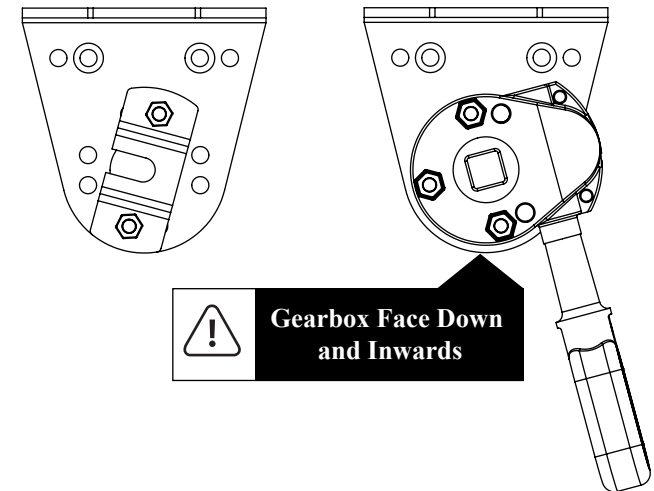
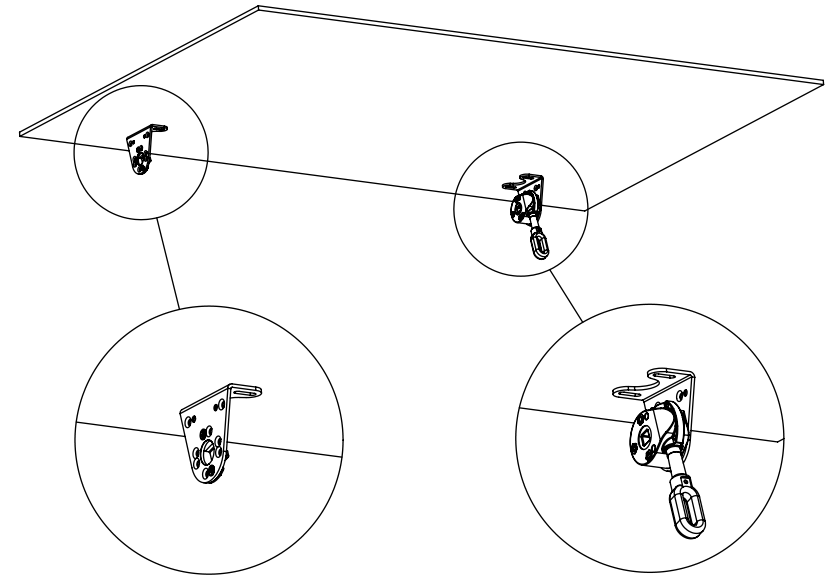
1 Fix brackets either *Face Mount* or *Reveal Mount* 5mm below the bottom face of structure.



Fix bracket with gearbox either *Face Mount* or *Reveal Mount* 5mm below the bottom face of the structure.

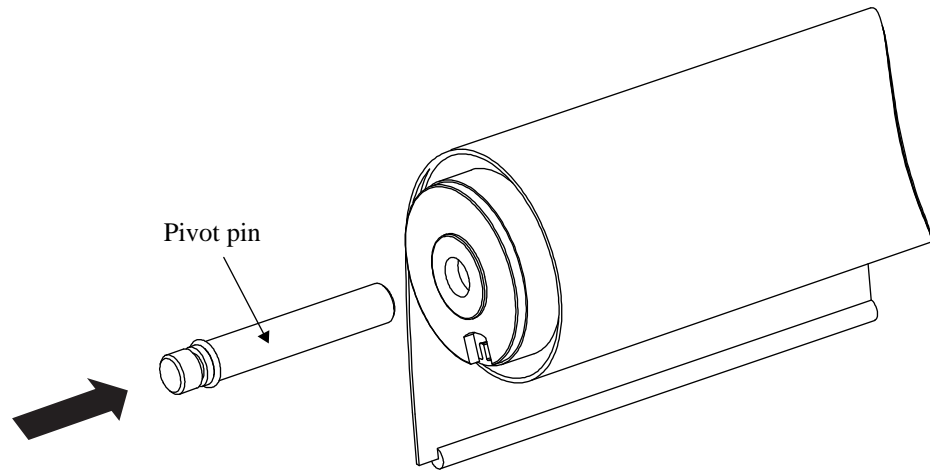
2 ⚠ Install gearbox facing inwards.

Install top brackets - ceiling mount.

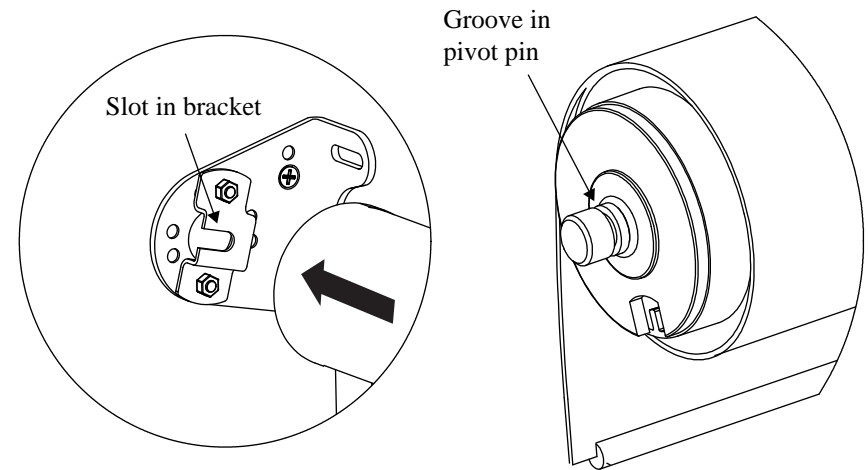


3 Fix brackets facing down on ceiling with gearbox facing inwards.
⚠ Install gearbox facing down and inwards.

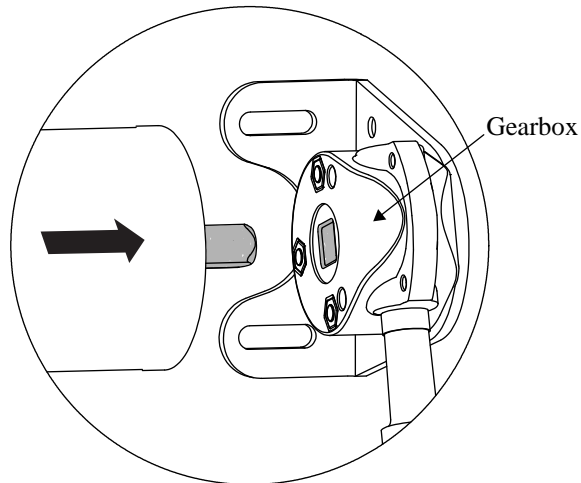
Mounting the blind.



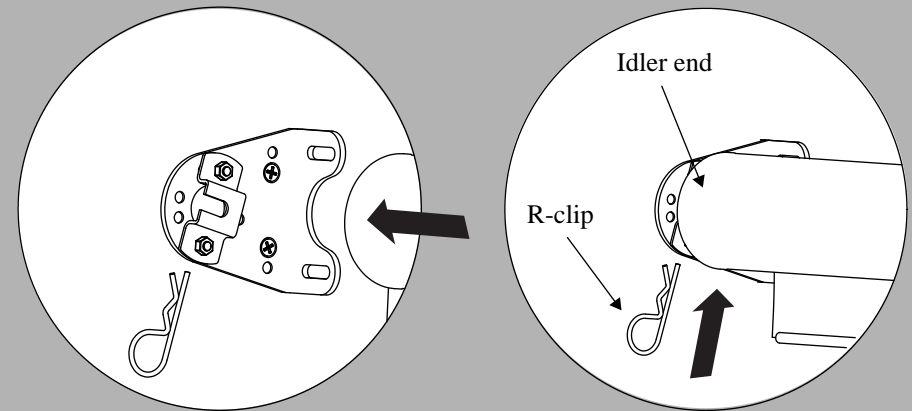
4 Insert the pivot pin into the hole in the idler end.



6 Align and locate the groove on the pivot pin into slot in the idler bracket.

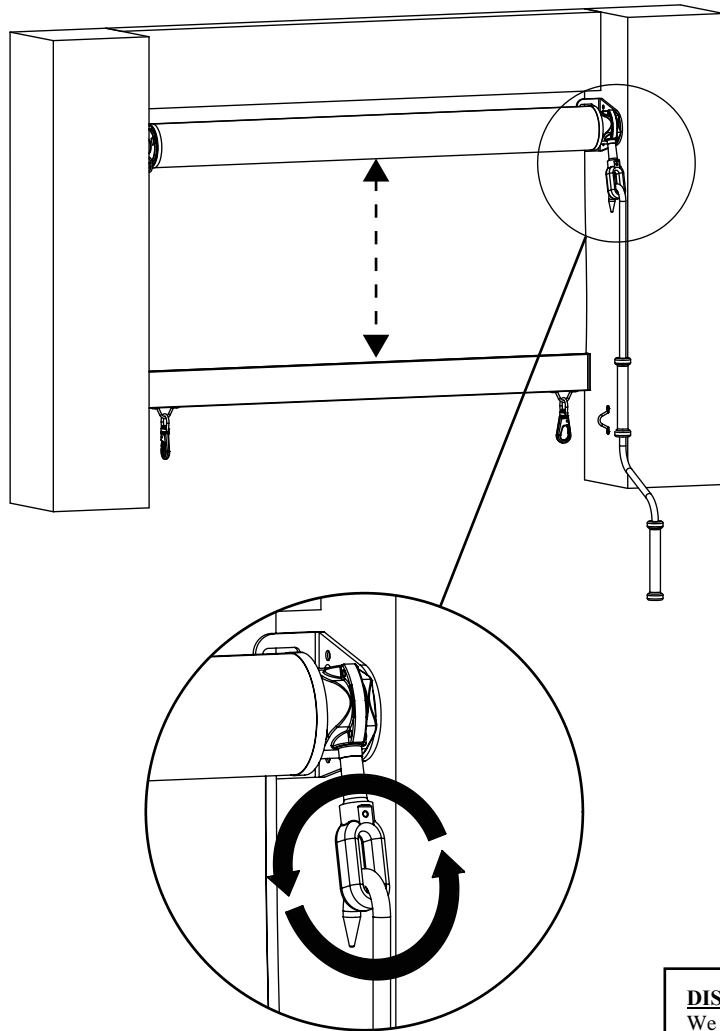


5 Align and insert the square pin of the drive end into the gearbox.



7 Align R-clip with the two holes in the bracket and secure idler end.

Raise and lower the blind.

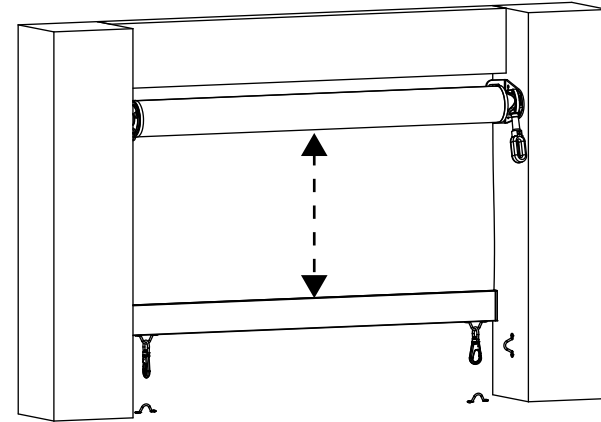


8

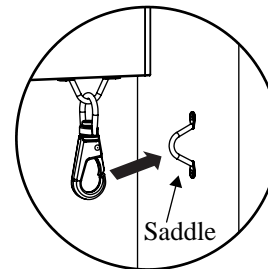
The blind is in position, use the crank handle to rotate the gearbox to raise and lower the blind to the desired position.

Mounting saddle positions.

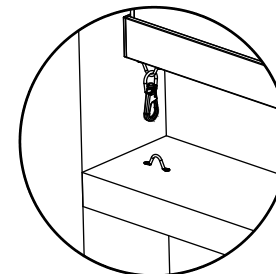
Important Note:
Do not over tension blind.



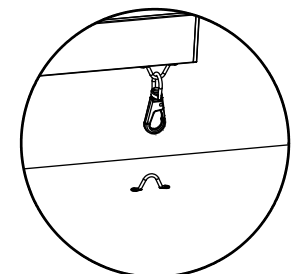
POST or WALL



HAND RAIL



FLOOR



9

- 1) Fix saddles at the desired position on posts, wall, hand rail or floor.
- 2) Attach and secure with snap hook before raising and tensioning the blind .

DISCLAIMER

We guarantee that all our products will be free from defects in components and manufacture for a period of **twelve months** from the date of purchase.

All goods supplied are guaranteed against mechanical default in normal domestic use and the supplier will repair or replace at its discretion such components that prove faulty in operation. Damage caused by accidents, alterations, misuse, abuse or wear and tear are not covered by this warranty.

Under the guarantee, the supplier shall not be liable or responsible for incidental or consequential damages or for any other direct or indirect damage, loss, cost, expense or fee. The benefits conferred by this Guarantee are in addition to all other rights and services which the purchaser has under the Trade Practices Act 1974 and similar state and territory laws.

All warranties are conditional. For the warranty to be valid, customers must strictly adhere to both the installation and care instructions provided. The warranty does not cover variances in colours and textures from batch to batch. In addition, a receipt providing proof of purchase is required for any warranty claims.