



OZRITE

Awnings &
Outdoor Blinds

INSTALL GUIDE
FOLDING ARM AWNING

Installation Guide

FOLDING ARM AWNING

IMPORTANT INFORMATION BEFORE INSTALLING YOUR FOLDING ARM AWNING



AN AWNING INSTALLATION IS A HOME IMPROVEMENT PROJECT REQUIRING STRICT ADHERENCE TO THE ENCLOSED INSTRUCTIONS. IF AFTER READING THE INSTRUCTIONS, YOU HAVE ANY QUESTIONS, OR DO NOT POSSESS A FULL UNDERSTANDING OF THE TECHNIQUE AND/OR ABILITY REQUIRED TO SAFELY INSTALL AND OPERATE YOUR AWNING, DO NOT PROCEED.

YOU ARE INSTALLING YOUR AWNING AT YOUR RISK. We SHALL NOT be liable for any damages whatsoever, and in particular, shall not be liable for any special, indirect, consequential, or incidental damages, or damages for lost profits, loss of revenue, or loss of use, PERSONAL INJURY OR PROPERTY DAMAGE arising out of or related to the INSTALLATION OF YOUR AWNING OR RELATED COMPONENTS.

General

Tools required

Before starting you will need the following;

(PLEASE NOTE: Fixing screws and wall plugs will need to be purchased from your local Bunnings Store, for either wood, concrete, brick etc see fixings reference details)



An assistant



Tape Measure



Step Ladder



Drill
Power or Battery
depending on
structure



Drill Bits
Masonry may
be required



Pencil



Spirit Level



Spanner
Size Required depends
on fixing option chosen



Chalk Line



Fixings
Refer to page 3
for all fixings required

Installation Guide

FOLDING ARM AWNING

Fixings

We recommend you seek advice on any fixings you require from your local hardware store. As every surface structure varies the types listed below on the chart are purely a guide. Check what surface you are drilling into and match to fixing accordingly.

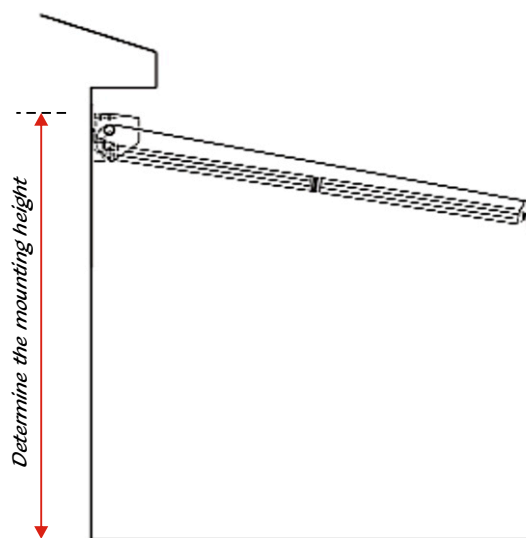
Description	Folding Arm Awning
CONCRETE: Dyna Bolts 12x75mm	✓
Coach Screws 12x75mm	✓

Installation of your Awning

- When unpacking your awning, take care to protect the awning from accidental damage or soiling.
- Do not drop or drag the awning on the ground.
- When removing the protective wrapping from the awning, do not use a knife or box cutter to the wrapping as you could accidentally slice into your awning fabric.
- Your awning has been shipped to you partially assembled but it is important to follow this instruction manual to securely fasten the mounting brackets to your home and install the awning.
- Please read these instructions completely before installing your Folding Arm awning.
- You will need an assistant(s) for installation.
- Left and Right references are as you are facing the house.
- You have been provided with the proper brackets, hooding if applicable)but you will need to provide the drill and bits (and fixings if required see page 3) once determining the fixing surface. (See page 2 for tools required).

Before commencing

Once your location and mounting style has been determined, review the area, confirming that you have a clear span for the entire width of the awning with no light fixtures, spouting, doors that open out (onto the deck or patio) or any other obstructions. If you are wall or fascia mounting your awning and you have a door or window that opens out, you will need a minimum of 300mm of clearance between the top of the mounting bracket and the top of that door or window to clear the awning framework and 400mm to clear the fabric valance when retracted.



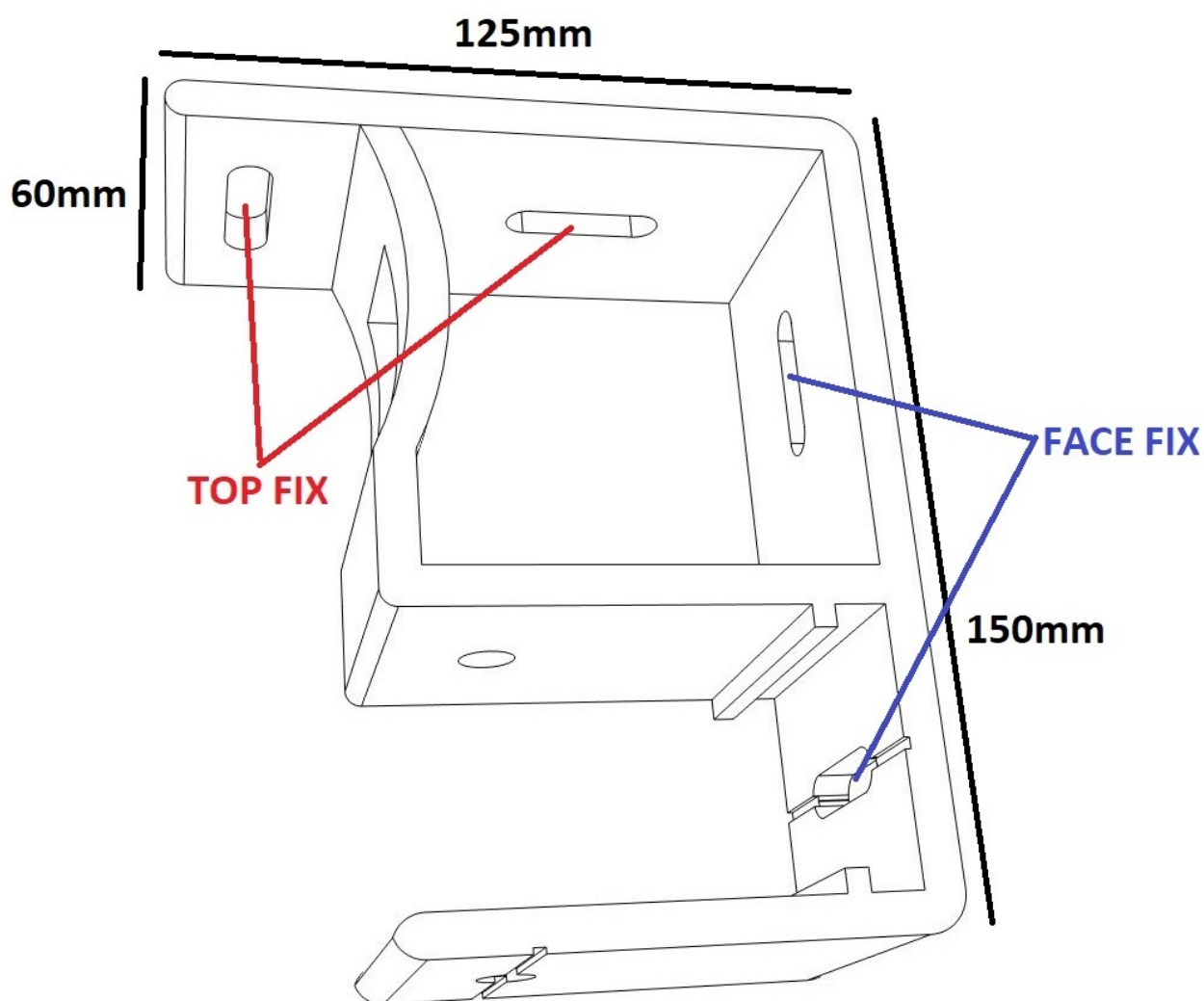
Installation Guide

FOLDING ARM AWNING

Mounting Brackets

As standard 3 universal fixing brackets are supplied, this bracket can accommodate both a face (wall fix) and a top (ceiling fix) type installation.

UNIVERSAL FIXING BRACKET



The install procedure is the same but the fixing holes used to secure the awning vary on the install type (refer to bracket diagram above).

Installation Guide

FOLDING ARM AWNING

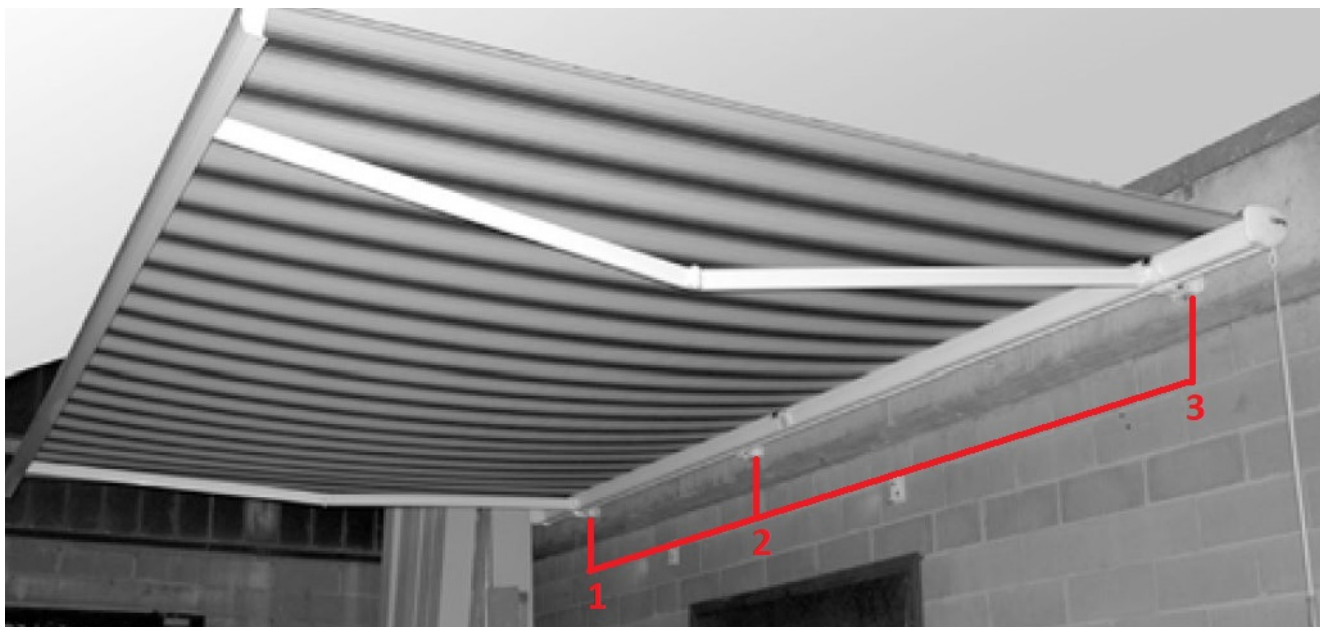
Mounting Brackets Position

A minimum of 3 mounting brackets are supplied, however on larger awnings additional brackets may be required and will be supplied as standard.

The arms are attached along the face of the wall and the exact position can vary along the width of the awning however It is important to note that the end brackets must be installed within 100mm of the awning arms to ensure maximum strength and support.

The center bracket should ideally be installed in the middle to evenly distribute the load.

Larger awnings with 4 or more brackets should have the brackets installed as evenly spaced as possible to spread the load.



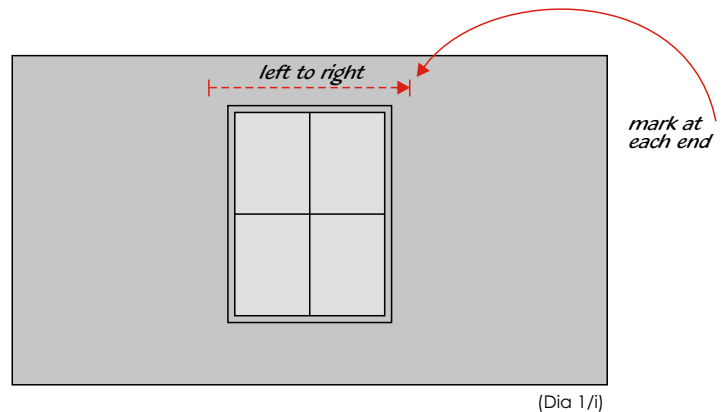
Installation Guide

FOLDING ARM AWNING

Installation with Standard Mounting Brackets

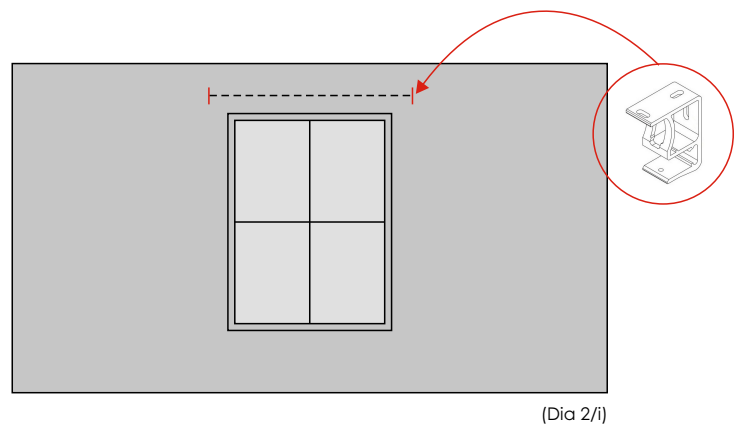
Step One

- i) Measure up from the mounting location starting on the left side and make a mark at the desired mounting location, then the right side (Dia 1/i).
- ii) Using a chalk line string, snap a level line the width of the awning.
- iii) Check that you have 300mm min clearance above the window to the bottom of the bracket.



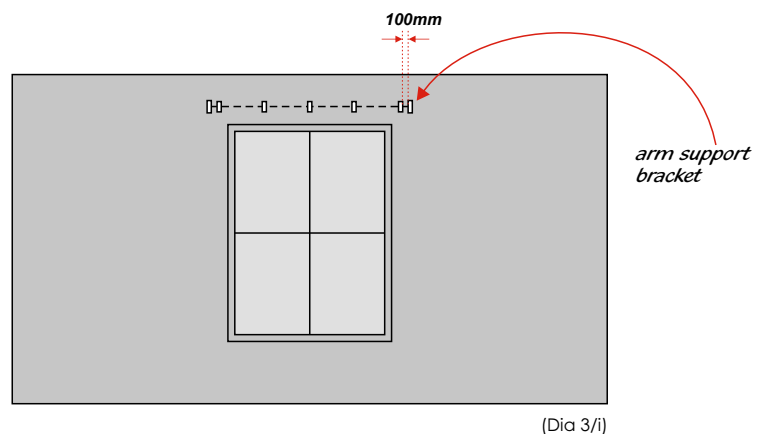
Step Two

- i) Hold the bracket in the required mounting position and mark (Dia 2/i) clearly the holes for drilling (work with one bracket at a time).
- ii) Check for level positioning with the spirit level of the brackets, a minor adjustment of the brackets may be required.



Step Three

- i) Make sure the end brackets are within 100mm of the arm support brackets (Dia 3/i), otherwise the forces transmitted through the arm bracket may twist the awning.
- ii) Fit a string line to each end of the bracket and use to perfectly align and level all brackets.

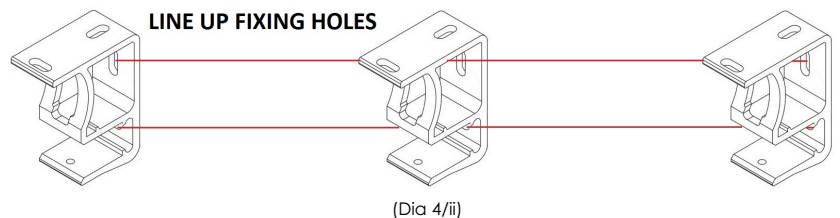
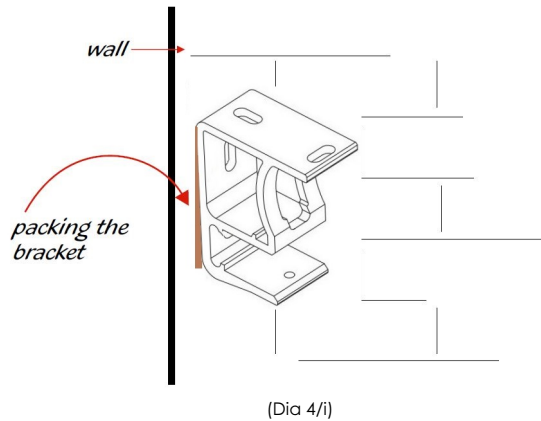


Installation Guide

FOLDING ARM AWNING

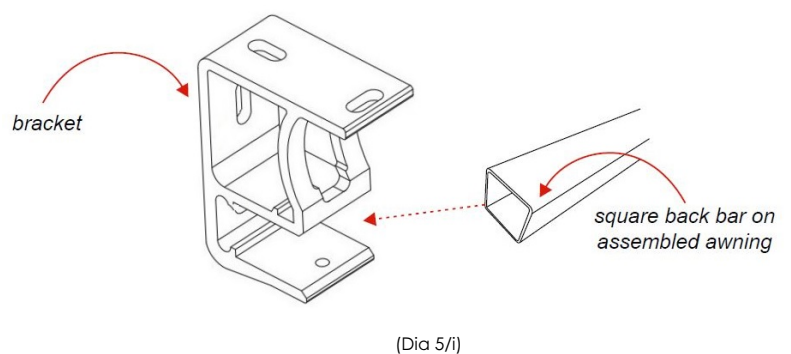
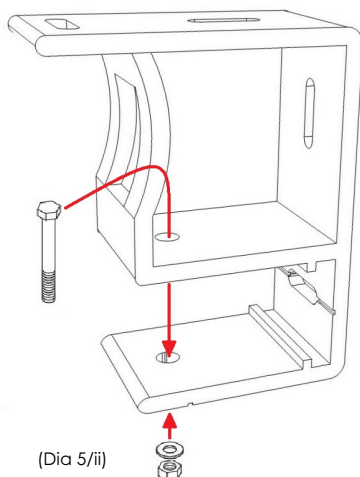
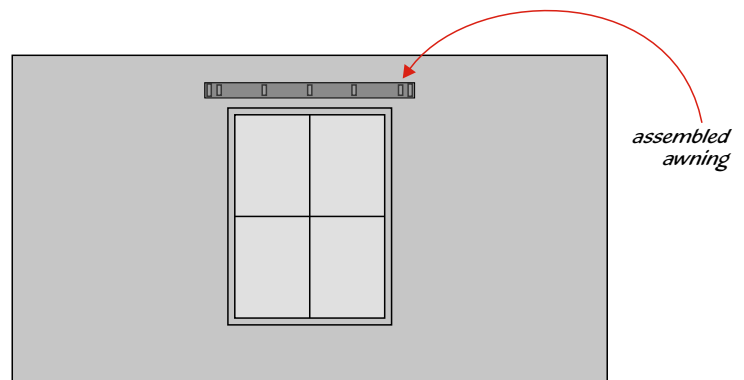
Step Four

- i) Before tightening the brackets, align horizontally using a string line to check the wall is flat and vertically using a spirit level to ensure perfect alignment. If the wall is not flat then pack (or shim) the brackets (Dia 4/i) so they are in alignment and level.
- ii) Check the bracket fixing holes are all in alignment (Dia 4/ii), using a string line, and adjust as required to ensure perfect alignment.



Step Five

- i) Lift awning placing the square back bar into the brackets (Dia 5/i).
- ii) Check the awning is fully located into all bracket.
- iii) Drop in and secure bolts locking awning onto brackets using provided nuts (Dia 5/ii).



WARNING:

We strongly recommend that in strong wind conditions, you completely retract your Folding Arm Awning to prevent damage to it and your windows.

Installation Guide

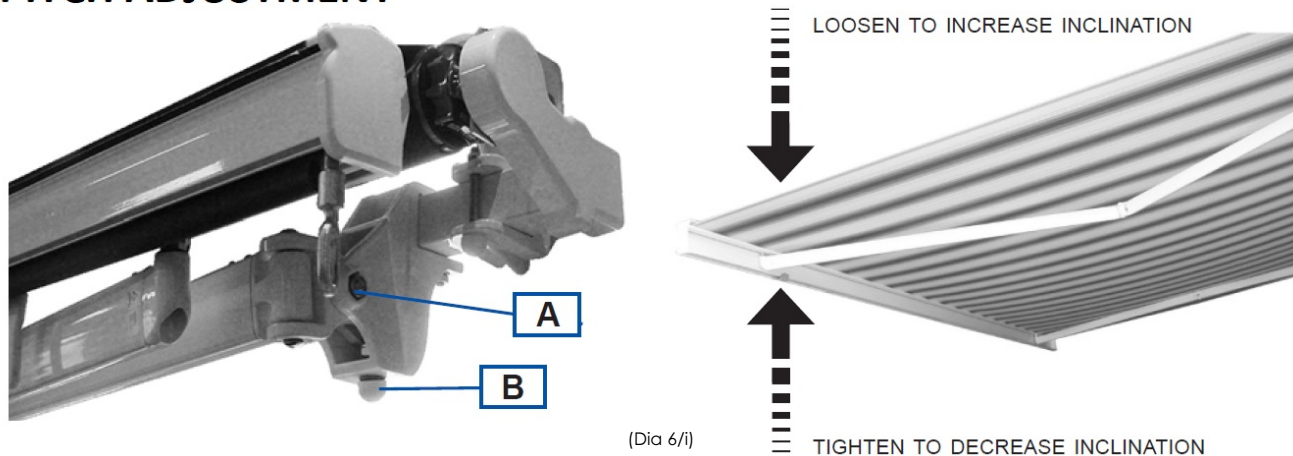
FOLDING ARM AWNING

Step Six

Once the assembled awning is secured onto the wall, you then adjust the pitch (if required).

- i) Loosen the screw (A) and adjust the awning inclination using the screw (B) on both support arms [tighten to reduce the inclination and loosen to increase inclination (Dia 6/i)].

PITCH ADJUSTMENT



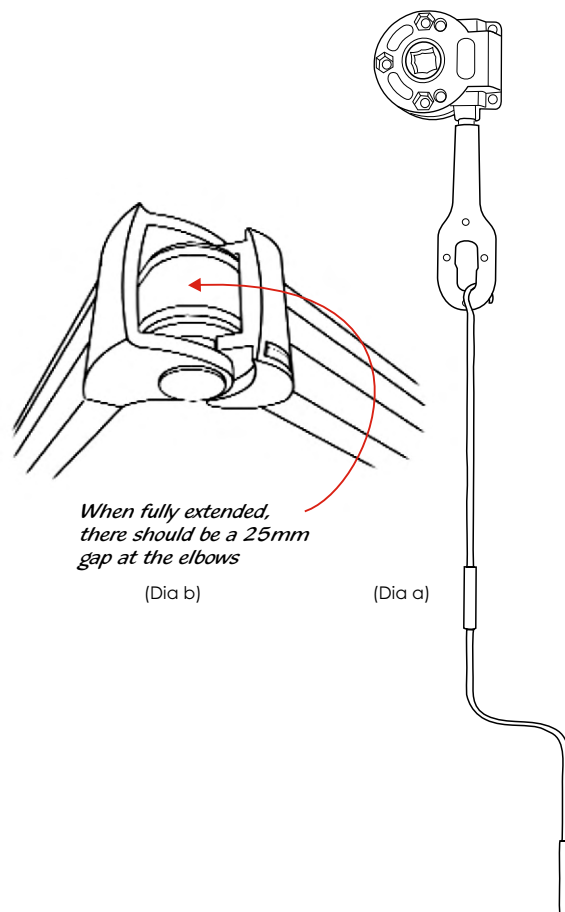
Manual Operation:

Once your awning is fully installed with all mounting hardware and installation bolts secured, you may operate the unit.

To extend the awning, place the hook end of your crank handle (Dia a) into the gear loop located at the far end of the awning. Turn the hand crank in a circular motion until the awning is fully extended and the arms "lock" in place, then turn the crank in the opposite direction to properly tension the awning.

Please note that when the awning is fully extended the arms will not be straight (Dia b).

NOTE: DO NOT OVER EXTEND THE AWNING



Installation Guide

FOLDING ARM AWNING

Motorised Awnings

Once your awning is fully installed with all mounting hardware and installation bolts secured, you may operate the unit.

Motorised awnings come with a 3m power lead and 240V power is required to operate, this can be either hardwired or a plug top can be installed and plugged into a power point.

IMPORTANT NOTE: Any electrical work must be carried out by a qualified electrician.

The motor has already been set up in the factory and once power is connected, it is ready to operate using the supplied hand held remote control.

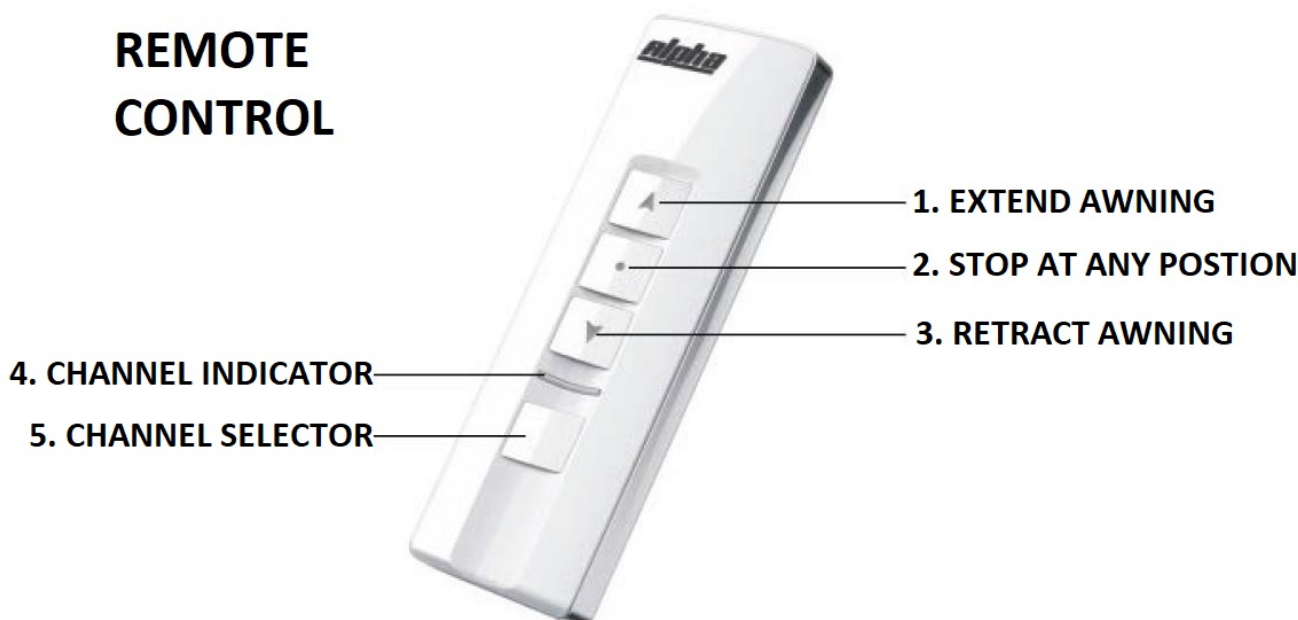
Remote Control & Operating Functions

1. **EXTEND AWNING:** This will fully extend awning to maximum projection.
2. **STOP AT ANY POSITION:** This allows the awning to be stopped at any position.
3. **RETRACT AWNING:** This will return awning to fully retracted position.

ADDITIONAL FUNCTIONS (NOT REQUIRED)

4. **CHANNEL INDICATOR:** This light indicates which channel is selected on the remote control, this function is useful when connecting more than one awning to the same remote.
5. **CHANNEL SELECTOR:** This button toggles between channels.

REMOTE CONTROL



Installation Guide

FOLDING ARM AWNING

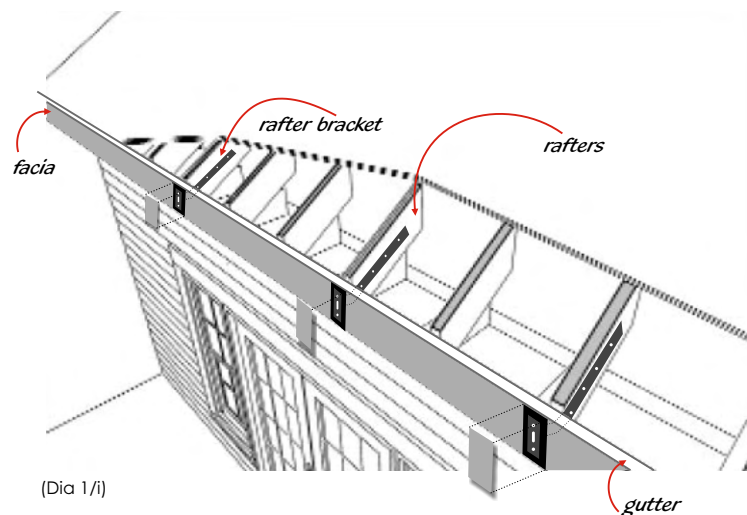
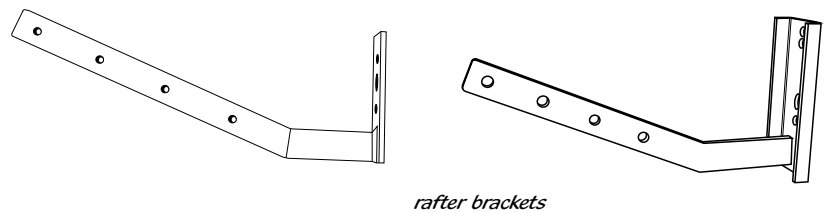
Installation with Rafter Brackets (optional extra).

(These brackets are used in conjunction with the standard brackets where the awning is required to be fixed to house rafters for fascia board fixing)

Step One

Install the Rafter Brackets

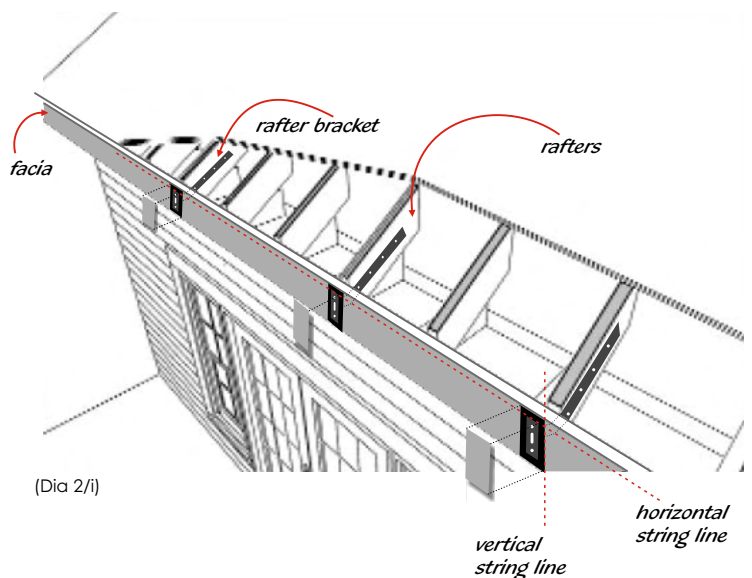
- i) Lift the roofing material carefully to avoid any damage.
- ii) The brackets must be installed within 50mm from the arm support brackets to transmit the arm forces back into the building structure or the awning may twist
- iii) Check the rafters for their material condition and for sufficient stability. Add additional roofing timbers and bracing if roof rafters are not adjacent to arm bracket positions
- iv) Attach the bracket to the beam using galvanised steel bolts, nuts and washer (not included)
- v) Remove part of the fascia board to expose the rafter bracket plate.



Step Two

Align all Rafter Brackets & Tighten Bolts

- i) Check the brackets on rafters are level and align horizontally using a string line and vertically using a spirit level to ensure perfect alignment.



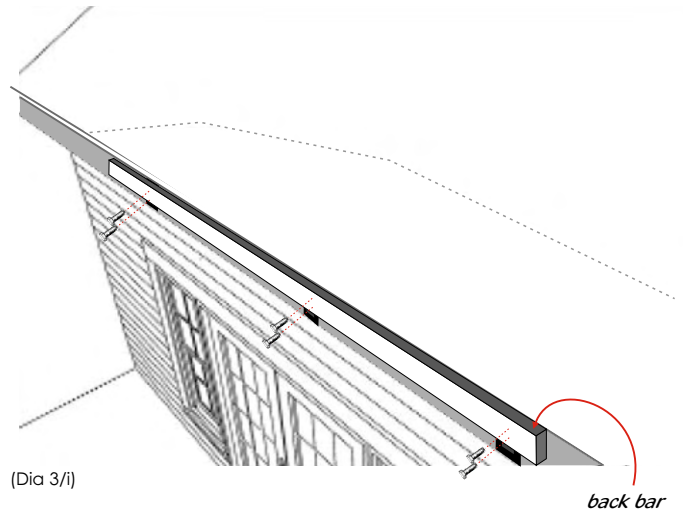
Installation Guide

FOLDING ARM AWNING

Step Three

Fix back bar Brackets to Rafter Brackets

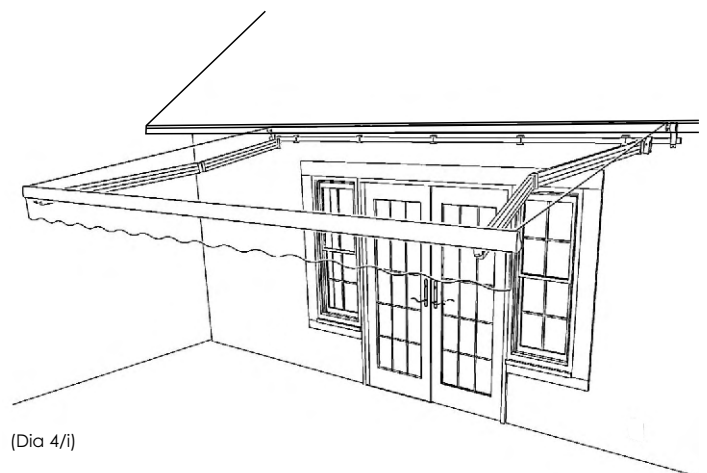
- i) Fix the back bar bracket to the rafter bracket using galvanized steel bolts (not included).
- ii) Align horizontally and vertically using a string line and spirit level to ensure perfect alignment. Check the brackets are level.
- iii) Check all brackets are on one level both horizontally and vertically! Adjust & shim (pack) level where required so they are in perfect alignment, & securely tighten all bolts.



Step Four

Securing the awning

- i) Once all the installation brackets are securely fastened to the wall, check again that they are level – you don't want to find this out while you are on your ladder with a 80kg awning in your hands!
- ii) With the arms facing down and fabric roller on top, you and your assistant(s) carefully walk the unit up the ladder and place the back bar into the mounting brackets.
- iii) Use some side to side movement to help place the awning in the desired location. Once securely in the brackets, reinstall the installation bolts and fully tighten – DO NOT operate the awning until these bolts have been fully installed.



Care and Maintenance Instructions

FOLDING ARM AWNING

General care and maintenance of your Sunline Folding Arm Awning

WARNING:

- Prior to operating the Sunline awning, be sure that no objects or persons can come in contact with it as it opens and closes. Keep children away from any moving parts of the awning as it operates. Failure to do so could result in personal injury.
- Never attempt to hang items from any part of the awning, except those accessories that are supplied by the manufacturer.
- Never attempt to repair or disassemble any part of the awning without following replacement part procedures supplied by the manufacturer. Trying to do so without proper instructions could result in personal injury.
- It is normal for the fabric to form waves or wrinkles at the hemmed edges as the awning rolls up. This is because the fabric layer is double along the edges.
- Never use a barbeque grill, any type of patio heater or fireplace near your Sunline awning. Doing so could result in the fabric burning or melting and could result in personal injury.



PROTECTING THE FABRIC FROM MILDEW

- If it is necessary to roll the awning up wet, be sure to extend it out to dry when the weather is better.
- While the awning fabric itself won't mildew, mildew can form on the dust and dirt allowed to accumulate on the fabric.
- If the fabric is rolled up and stored when wet, the moisture will promote the formation of mildew.

CLEANING THE FABRIC

- Do not use caustic cleaners.
- Gently remove the dust from the dry awning fabric using a vacuum cleaner with a brush attachment.
- Then clean with spraying of luke warm water and a mild soap while gently brushing. Rinse thoroughly with clean water to remove any soap residue.
- Cleaning the awning regularly with mild soap and water will extend the life of the fabric.