

# TRAILER-TUG 2.0 ASSEMBLY GUIDE





# Installing Casters

Align the holes of the swiveling  
caster to the front mounting plate.

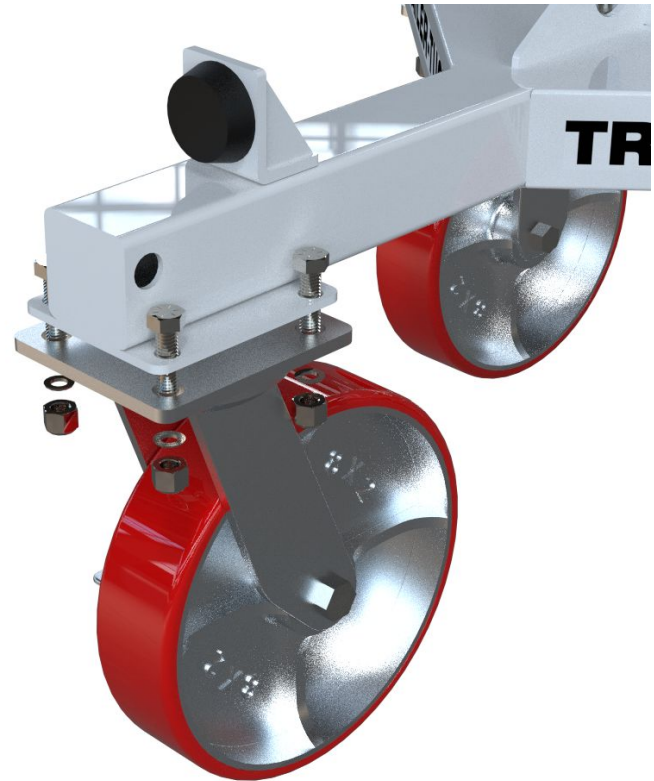
Repeat for the two non-swiveling  
casters in the rear mounting plates.



# Installing Casters

Insert the hex bolts from the top, through each hole in the caster bracket plates.

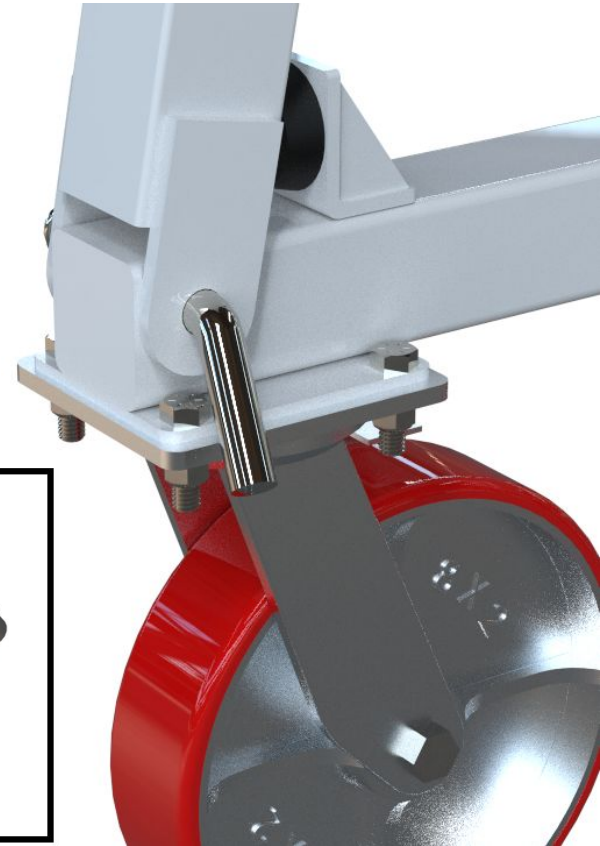
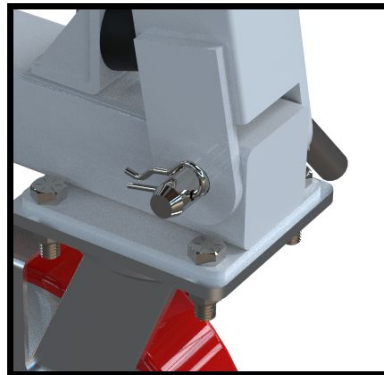
Repeat for all casters.



# Installing Handlebar

Align the holes on the handlebar and the frame.

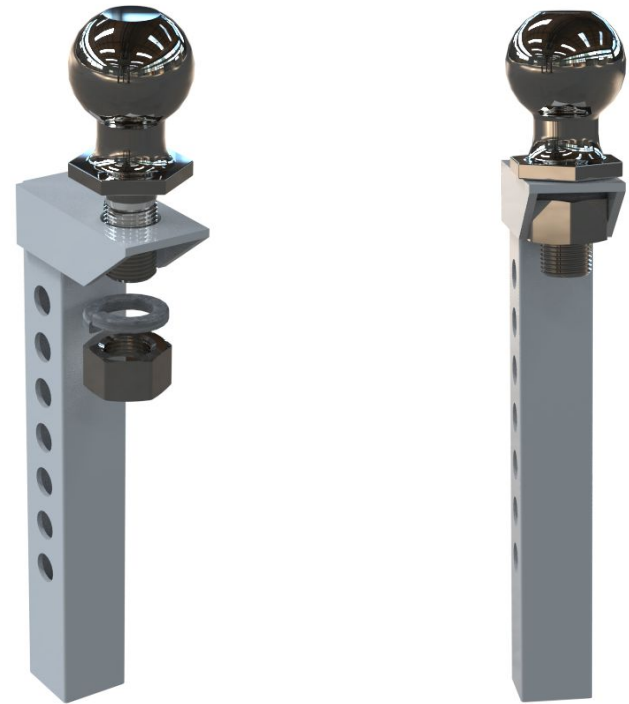
Insert the locking bolt through the hole and secure it with the cotter pin.



# Installing Hitch Ball (Not included)

Trailer-Tug's adjustable inner tube is compatible with all hitch balls with a one inch shank diameter.

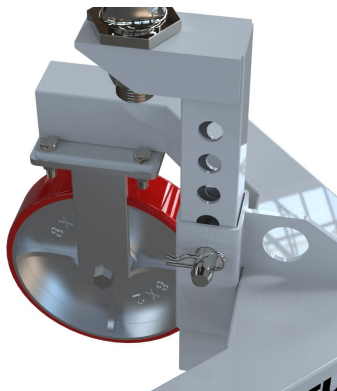
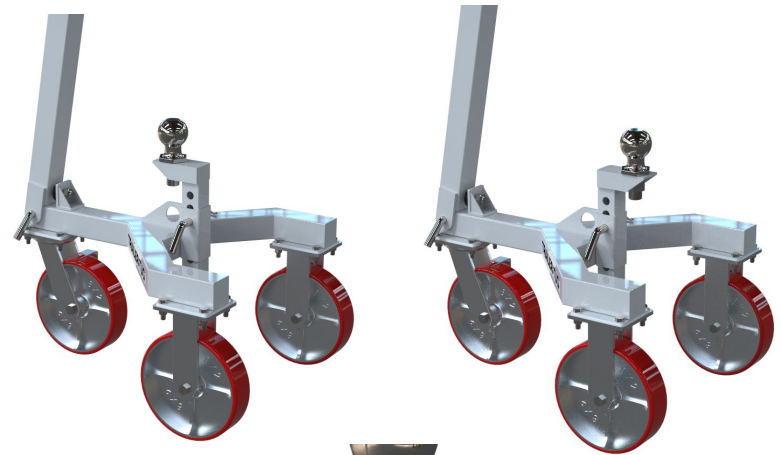
Align the hitch ball with the mounting hole and tighten.



# Mounting the inner tube

The inner-tube can be front or rear facing, depending on the operator's preference and the trailer.

Adjust the height of the inner-tube and insert the locking bolt. Secure the locking bolt in place with the cotter pin as shown below.



# Assembled

