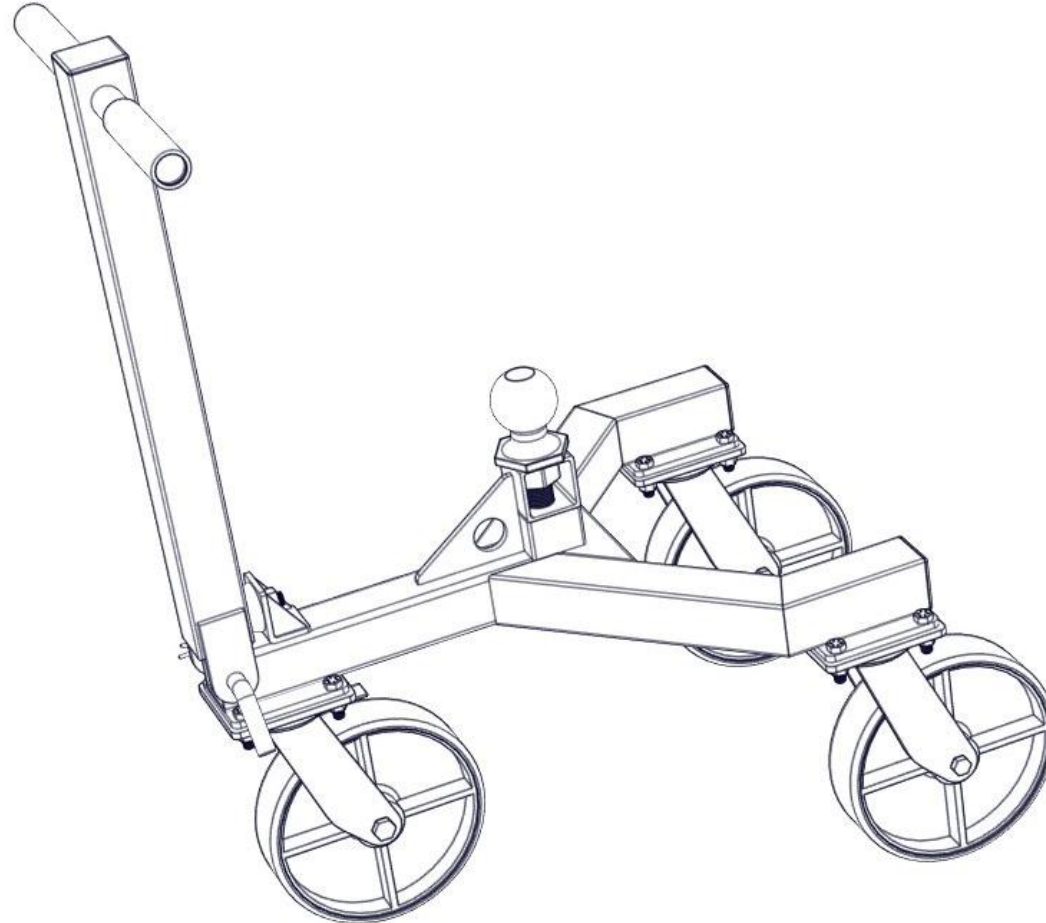


TRAILER TUG INSTRUCTIONS



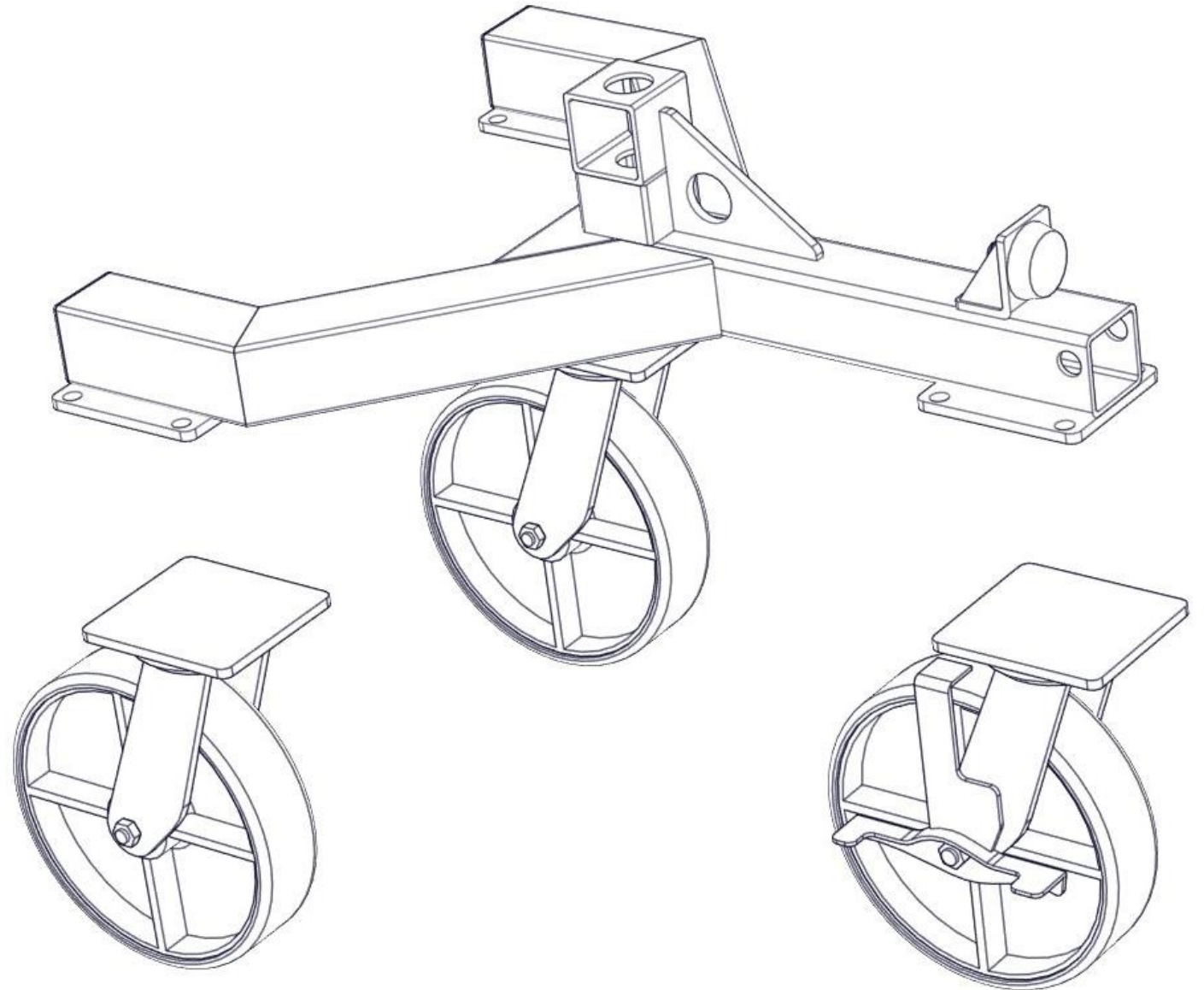
CASTERS

STEP 1

Align the 3 casters with the swivel caster in front and the two fixed casters in the back as shown

Caution:

3,500 maximum tongue weight

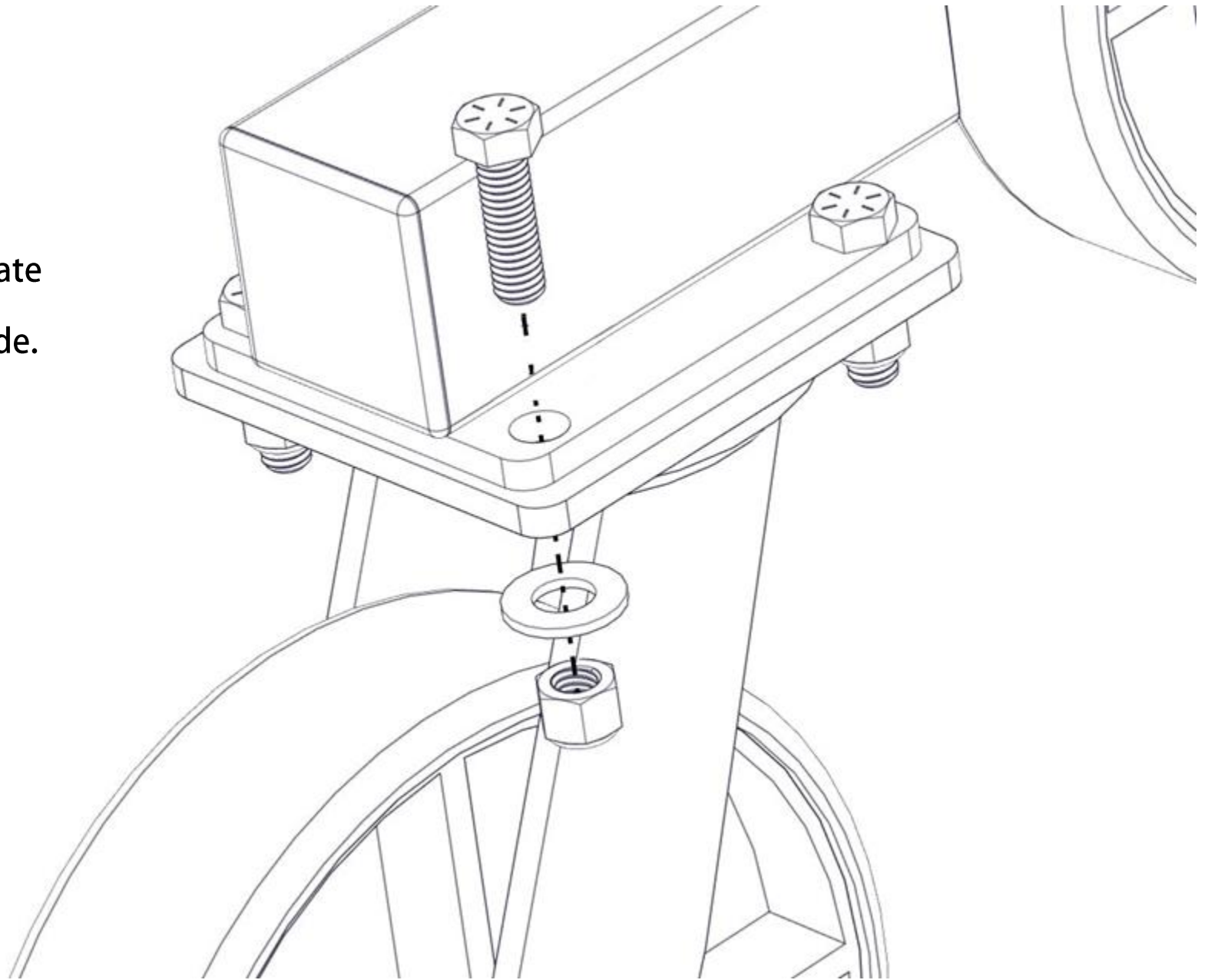


CASTERS

STEP 2

Place the bolt through the wheel plate then the wheel and follow it with a washer and lock nut on the other side.

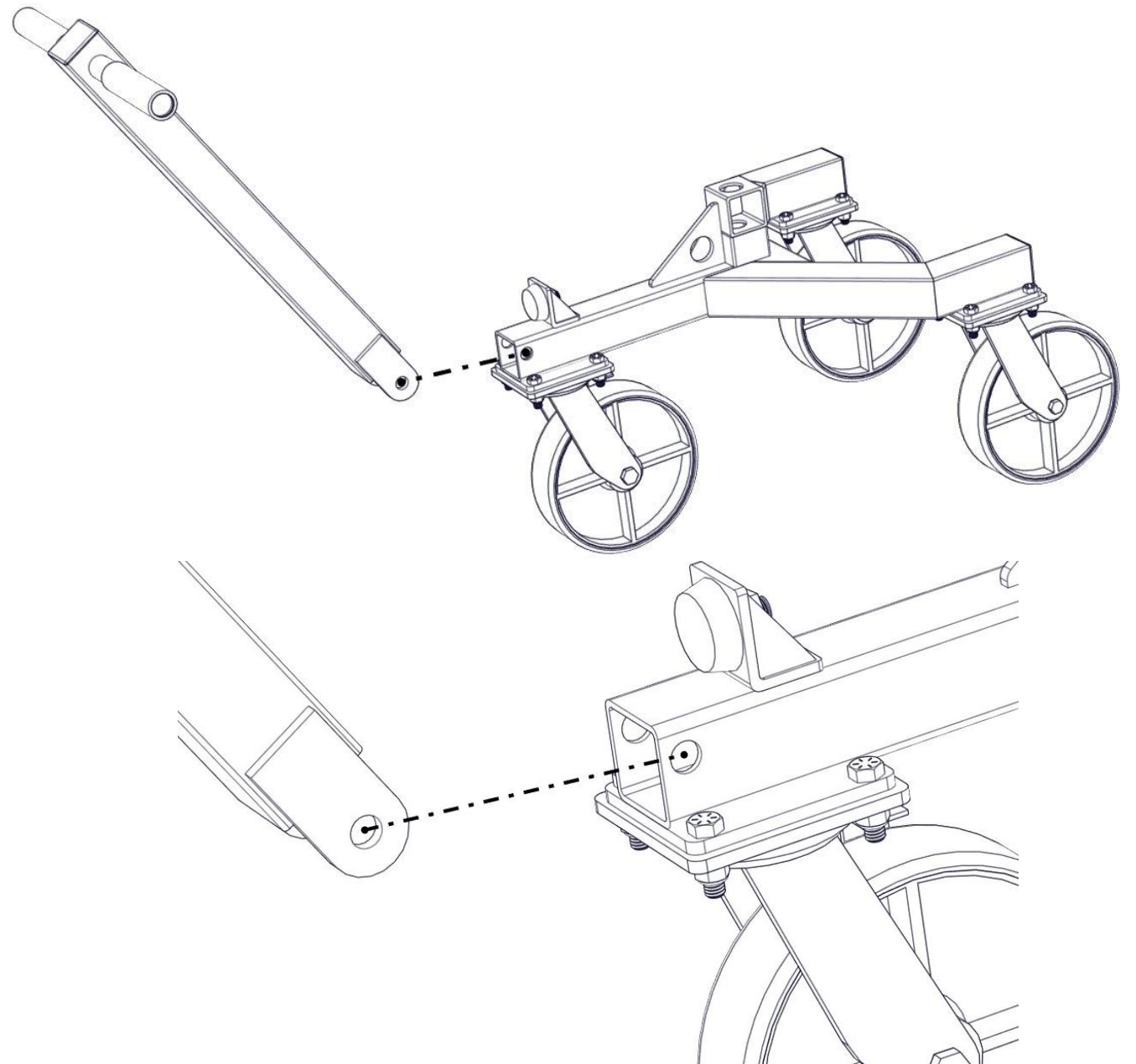
Tighten down the bolts with the wrenches provided.



HANDLE

STEP 3

Align the holes in the handle with the holes at the front of the trailer tug base

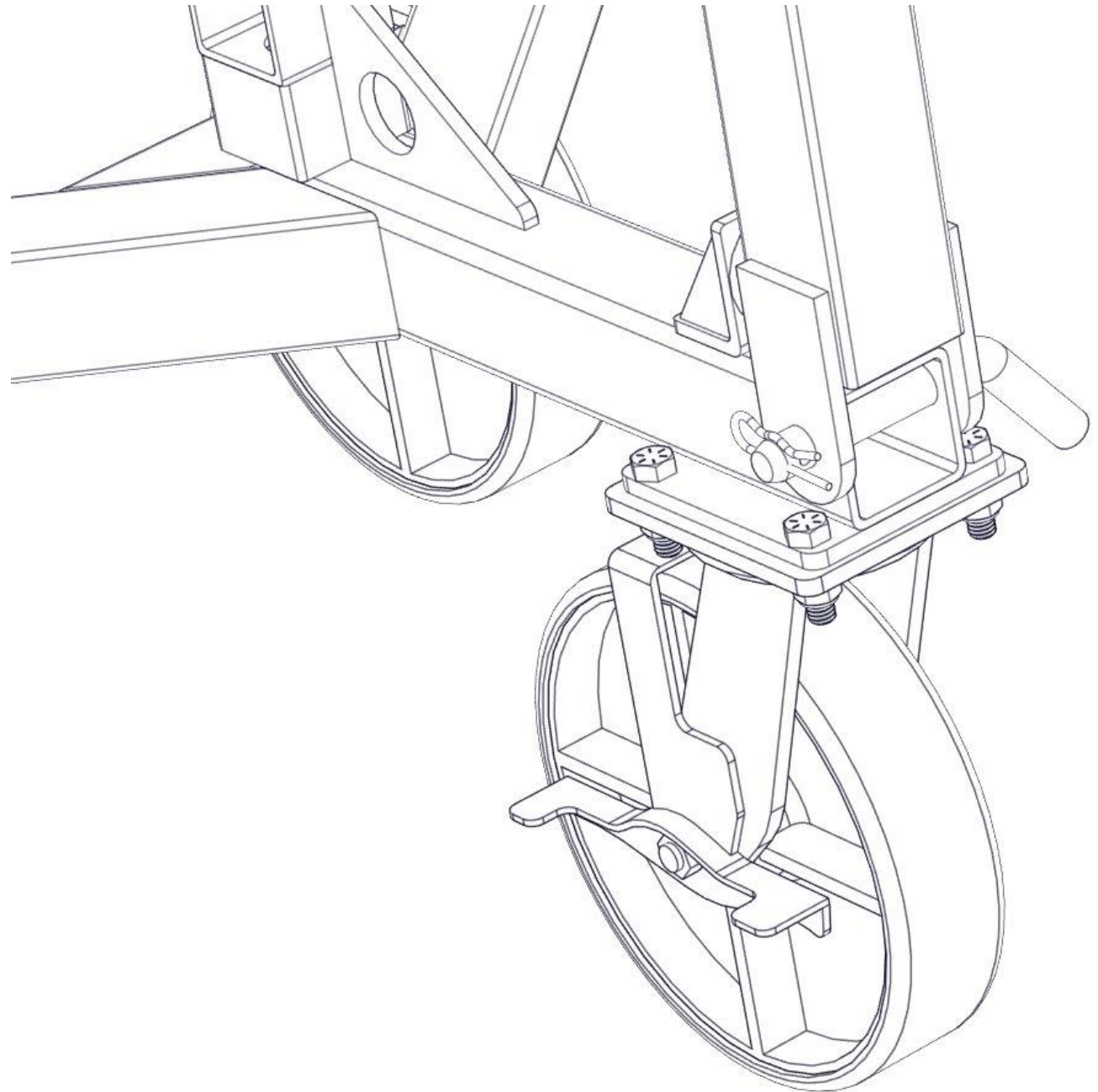


HANDLE

STEP 4

Insert the pin through the handle and trailer tug base and lock it in place with the cotter pin

The cotter pin slides into the hole on the pin as shown



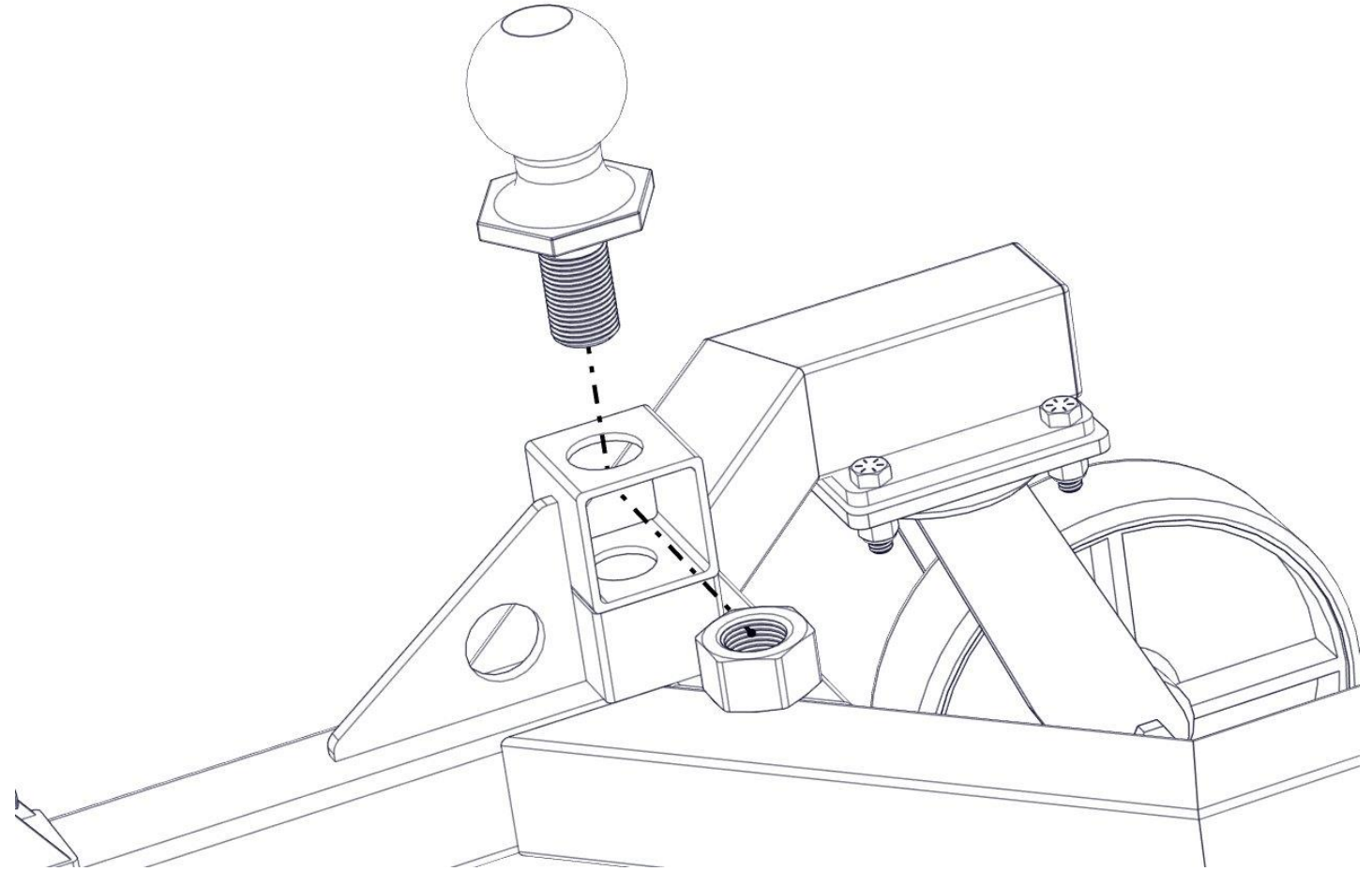
TRAILER HITCH

STEP 5

Place the nut of the trailer hitch into the slot

Bring the trailer hitch through the hole to screw into the nut

If your hitch comes with a washer place it on the hitch before you put it through the hole to screw it tight



TRAILER HITCH

STEP 6

Screw the trailer hitch into the nut

Make it tight so the hitch does not come loose

Caution:

If the hitch is loose it may result in injury or accident

