

Gentleman's Brand
AMBASSADOR KIT
USER GUIDE

GENTLEMAN'S BRAND

Making Combustion Obsolete™

Founded in 2008, Gentleman's Brand is committed to engineering premium vaporizer pens and portable vaporizer accessories. We believe in creating products that combine performance, safety and beautiful design, while providing world-class customer service.

We stand behind all of our products. That's why we offer a one year "No Hassle" warranty for all* of our hardware.

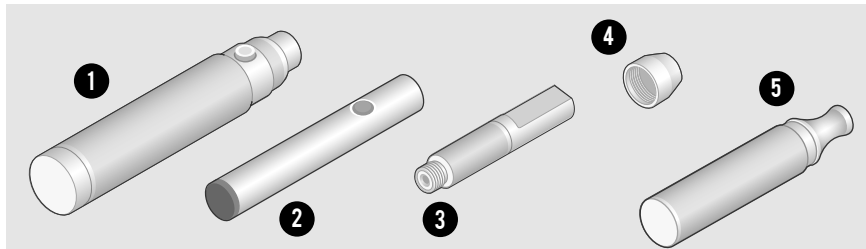
For more information, visit our online store at www.GentlemansVapes.com

*Does not include used cartridges

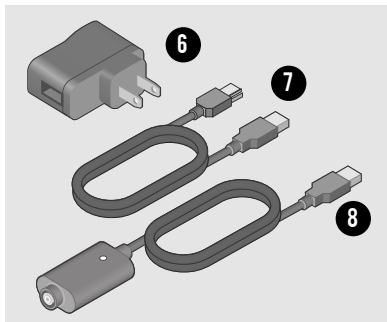
Contents

Ambassador Kit Contents.....	1
Charging Your Vapor Pen.....	2
Shutting Off Your Vapor Pen.....	3
Charging the Double Agent via USB.....	4
Charging the Double Agent via Pass-Through.....	5
Charging the Espionage via USB.....	6
Priming the V2 Cartridge.....	7
Priming (Continued).....	8
Filling the V2 Oil Cartridge.....	9
Oil Cartridge Filling Tips.....	10
Oil Cartridge Life Span.....	11
Proper Vaping Technique.....	12
Filling the Dry Herb Cartridge.....	13
Filling the Dry Herb Cartridge (Continued).....	14
Troubleshooting.....	15
Warranty.....	16

Ambassador Kit V2 Contents



1. Double Agent Pen
2. Espionage Pen
3. V2 Oil Cartridge w/ Mouth Tip
4. Aesthetic Cone
5. Dry Herb Cartridge w/ Mouth Tip
6. Charger Wall Adapter
7. Double Agent Pass-Through Charger
8. 420 mAh USB Rapid Charger



Charging Your Vapor Pen

The Double Agent can be charged by screwing it into the rapid charger (page 4) or with the pass-through charger (page 5). The Espionage can only be charged using with the rapid charger (page 6).

WARNING: Do not plug your vaporizer in to any USB charger other than the ones that came with your kit. USB chargers are NOT interchangeable and the wrong charger can provide too much current and may damage your vaporizer. Replacement chargers are available through our website.

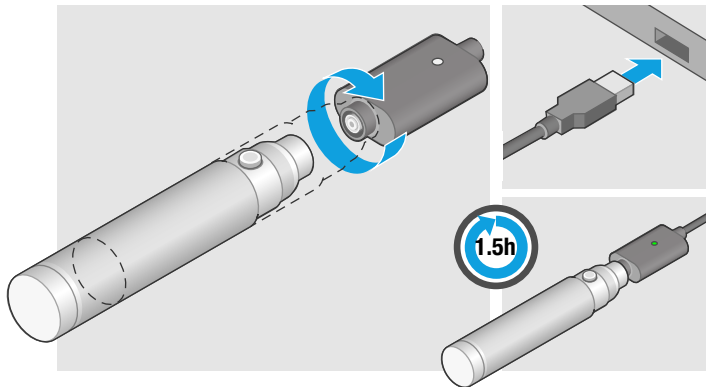
The Double Agent provides three different power settings that you can adjust at any time. You can cycle through these by rapidly clicking the heat button 7 times. The light will change to indicate the setting: Red for Low (3.2V); Purple for Medium (3.7V); and Blue for High (4.2V). After you reach the blue setting pressing the button 7 times will turn your Double Agent off. You will need to press the button 7 times to turn it on again.

Turning Off Your Vapor Pen

The Double Agent and Espionage both have built-in safety features. Both the Double Agent and the Espionage will automatically shut off after 6 seconds of the button being pressed. The LED light will blink several times to tell you your pen is shutting off; simply release the button and press again to continue use.

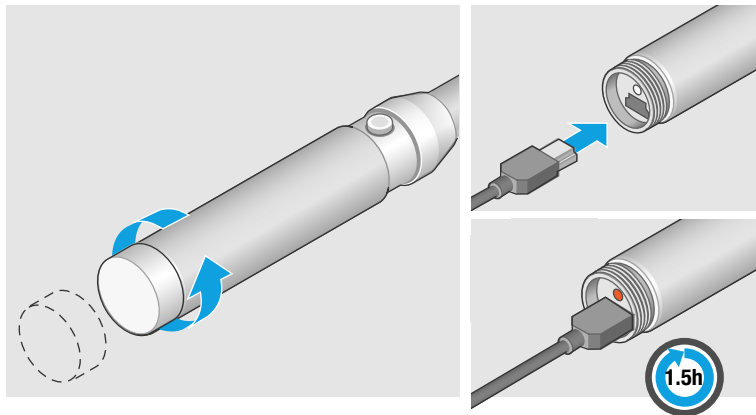
The Double Agent can be locked in the off position so that accidental button pushes don't drain the battery. Rapidly press the button 7 times and cycle through the heat settings(see previous page). Once you have reached the blue setting pressing the button 7 times will turn the Double Agent off. Pressing the button in this state will have no effect. You will need to rapidly press the button 7 times to turn on the Double Agent again.

Charging via USB - Double Agent



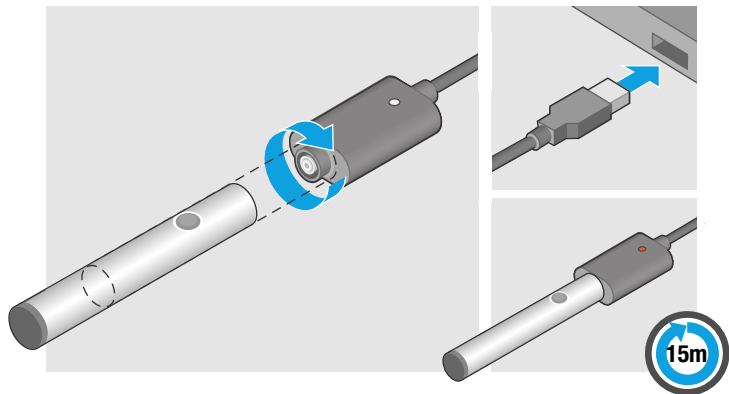
1. Screw the Double Agent into the USB charging cord.
2. Plug the USB charging cord in to your computer or the included wall adapter.
3. The light on the charger will change color from red to green when the vaporizer is done charging.
4. Time to full charge will typically be one hour and thirty minutes.

Pass-Through Charger - Double Agent



1. Unscrew the bottom cap of the Double Agent.
2. Plug the Pass-Through charging cable into the bottom of the Double Agent.
3. Plug the other side of the Pass-Through charging cable into your computer or the included wall adapter. See warning on Page 2.
4. You can use your Double Agent while it's charging. When the Double Agent is done charging the red light will turn off.

Charging via USB - Espionage

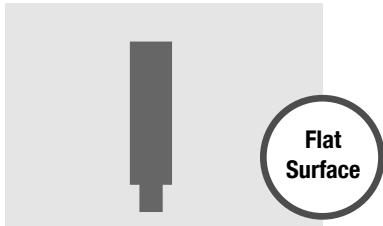


1. Screw the Espionage into the USB charging cord.
2. Plug the USB charging cord in to your computer or the included wall adapter. See warning on Page 2.
3. The light on the charger will change color from red to green when the vaporizer is done charging.
4. Time to fully charge will typically be fifteen minutes.

Priming the V2 Oil Cartridge

WARNING: Before you can fill your cartridge and begin using it, you need to prime the cartridge using the following instructions.

1. Remove the mouth tip from the cartridge.
2. Place your V2 or Mega V2 upright on a flat surface. In recent kits we have included holes in the removable foam layer (inside the box) to help hold cartridges upright during filling.
3. Scrape 0.1-0.2 grams of concentrate onto a fill tool or paper clip.
4. Position the fill tool so that the concentrate is directly above the center of the cartridge.

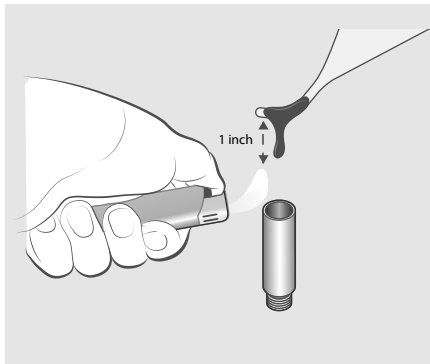


Priming (Continued)

5. Gently heat the concentrate with a lighter until it begins to liquify. Drip 2 drops (0.1-0.2g) of concentrate onto the heating coil at the center of the cartridge.

6. Screw the cartridge into your vaporizer. Do not attach the mouth tip yet. On your vaporizer's lowest heat setting push the button for 2 seconds. You should see the concentrate bubble up around the heating coil.

7. You are now ready to fill your V2 cartridge. You only need to prime new cartridges; you do not have to do this before refilling cartridges you've already been using. Continue reading on for instructions on how to fill the cartridge.

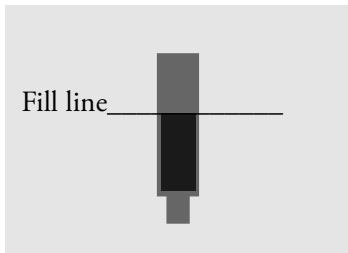
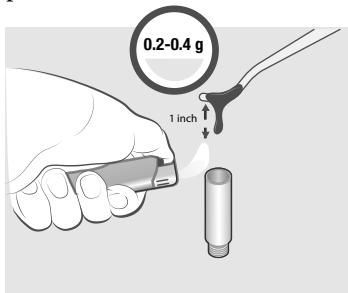


Filling the V2 Oil Cartridge

1. If you haven't already primed the cartridge please read the directions on Page 7-8 first.

2. Collect 0.2g - 0.4g of concentrate onto your filling tool. Slowly heat the concentrate with a lighter until it slides off the fill tool. Position the fill tool so the concentrate will drip directly above the heating element.

3. The cartridge is now ready for vaping. Screw it onto your vaporizer and, if you're using the Double Agent, start on the lowest heat setting (red). While holding the button, take slow and steady puffs. Read Oil Cartridge Filling Tips (page 10) and Vaping Technique (page 14) for helpful tips on getting the most out of your oil cartridge.



Oil Cartridge Filling Tips

It's natural to want to fill the smaller V2 oil cartridge to the top. Unfortunately, it's a bad idea. The reason is that the vapor is produced at the bottom of the cartridge and needs to "bubble up" through the solid layer of concentrate above it. We recommend 0.4 g of concentrate (about half full) per V2 cartridge.

If you overfill your cartridge you'll have difficulty getting airflow when you inhale. If this happens you have two options. The first is to use a lighter to heat the side of the cartridge so that the concentrate inside melts a little bit making it easier for the vapor to escape. If a lighter is not available press and hold the button on your vape and inhale very gently. Be patient. It can take up to 15 seconds to establish airflow. If you inhale quickly you risk sucking concentrate into the mouth tip. When airflow is established you'll hear a popping sound and feel a sudden increase in airflow. It's unmistakable.

If you accidentally spill concentrate onto the side of a cartridge you can clean the outside of the cartridge using an alcohol wipe or a paper towel soaked with rubbing alcohol.

Oil Cartridge Lifespan

Keeping the heating coil clean will improve taste and cartridge lifespan. To clean the coil perform a “dry burn”. Press the button on your vaporizer until the coil starts to turn orange and then let it cool down for 4-6 seconds. Then do it again. Do this every 2-4 cartridge fills.

Vaping at higher voltages reduces the lifespan of the heating element. We use a proprietary alloy for our heating elements that is inert and more resilient to high temperatures and thermal cycling than industry-standard nichrome.

Oftentimes you can bring a non-functioning cartridge back to life by soaking it in vodka overnight. The alcohol will dissolve the resin. After removing it turn the cartridge upside down and let it dry atop a paper towel for 24 hours. Do not blow through the cartridge.

Filling the Dry Herb Cartridge

1. Remove the mouth tip from the cartridge by pulling and twisting it away from the cartridge.
2. Break apart the dry herb into small pieces using your hands or with a grinder. Finely ground herbs will result in larger puffs and allow your herbs to burn evenly.
3. With the mouth tip removed, drop the herb into the cartridge one pinch at a time. Be careful not to push the heating coil down. Be gentle and try to move the coil as little as possible when filling or emptying it to avoid damaging it. Pack the herb down by tapping the cartridge on a hard flat surface. The herb will fall and settle comfortably around the heating coil. Repeat this step until your cartridge is roughly 70% full. You don't want herb above the heating element because it won't burn evenly if that happens. Make sure you don't pack the herbs too tightly as it will make it difficult to remove leftover dry herb after use.

Filling the Dry Herb Cartridge (Continued)

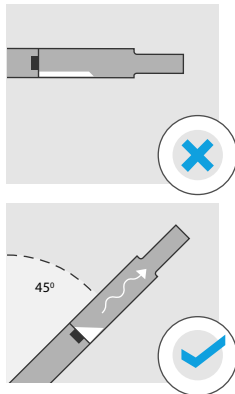
4. Push mouth tip back onto cartridge. Then screw the cartridge securely onto the battery. Hold the battery vertically and press your mouth to the mouth piece. Push and hold button while taking long slow drags.

Tip: In between puffs, you can shake the contents of the cartridge to redistribute the herb. This will increase the number of puffs per fill.

To remove dry herb from cartridge, take off the mouth tip by twisting and pulling away from cartridge. Then turn the cartridge upside down and gently tap it to remove the remaining used herb.

Proper Vaping Technique

1. Hold the vaporizer **vertically** or at a 45 degree angle. If you hold the pen horizontally (like a cigarette) your concentrate will drip away from the heating coil, producing less vapor.



2. Hold the button for 2 seconds and then begin inhaling slowly. If you inhale quickly, the heating coil cools down and you will get a smaller puff.

Troubleshooting

At Gentleman's Brand we pride ourselves in providing the highest quality vaporizers, globes and cartridges on the market. For new and returning customers we have set up a Frequently Asked Questions (FAQ) and a troubleshooting guide to technical issues we have recorded from our customers.

www.GentlemansVapes.com/Support

www.GentlemansVapes.com/Videos

We recognize that not all issues can be covered in a FAQ or guide. For any questions not covered by our guides please feel free to email our dedicated customer support staff:

support@gentlemansvapes.com

Warranty

Gentleman's Brand's unconditionally and directly guarantees, for a period of one year from the original purchase date, that the Double Agent, Espionage and included wall adapter and USB charger will be free from manufacturing defects. If, during this period, these parts fail to function properly during normal use, they will be repaired or replaced by Gentleman's Brand at no charge except shipping and handling. Customers are limited to 2 warranty claims within a one year period. Proof of purchase is required with all warranty claims.

Cartridges and other accessories are not covered under any warranty but are guaranteed against DOA(dead on arrival) only. For this reason we insist that our customers very carefully follow the priming, filling and use instructions provided in this booklet. Claims for non-functioning cartridges must be initiated within 14 days of receipt of product.

If you are outside the warranty period we may be offering refurbished products, trade-ins, and other incentives. For more information visit:

www.GentlemansVapes.com/Warranty

Gentleman's Brand

Visit our online store at GentlemansVapes.com