

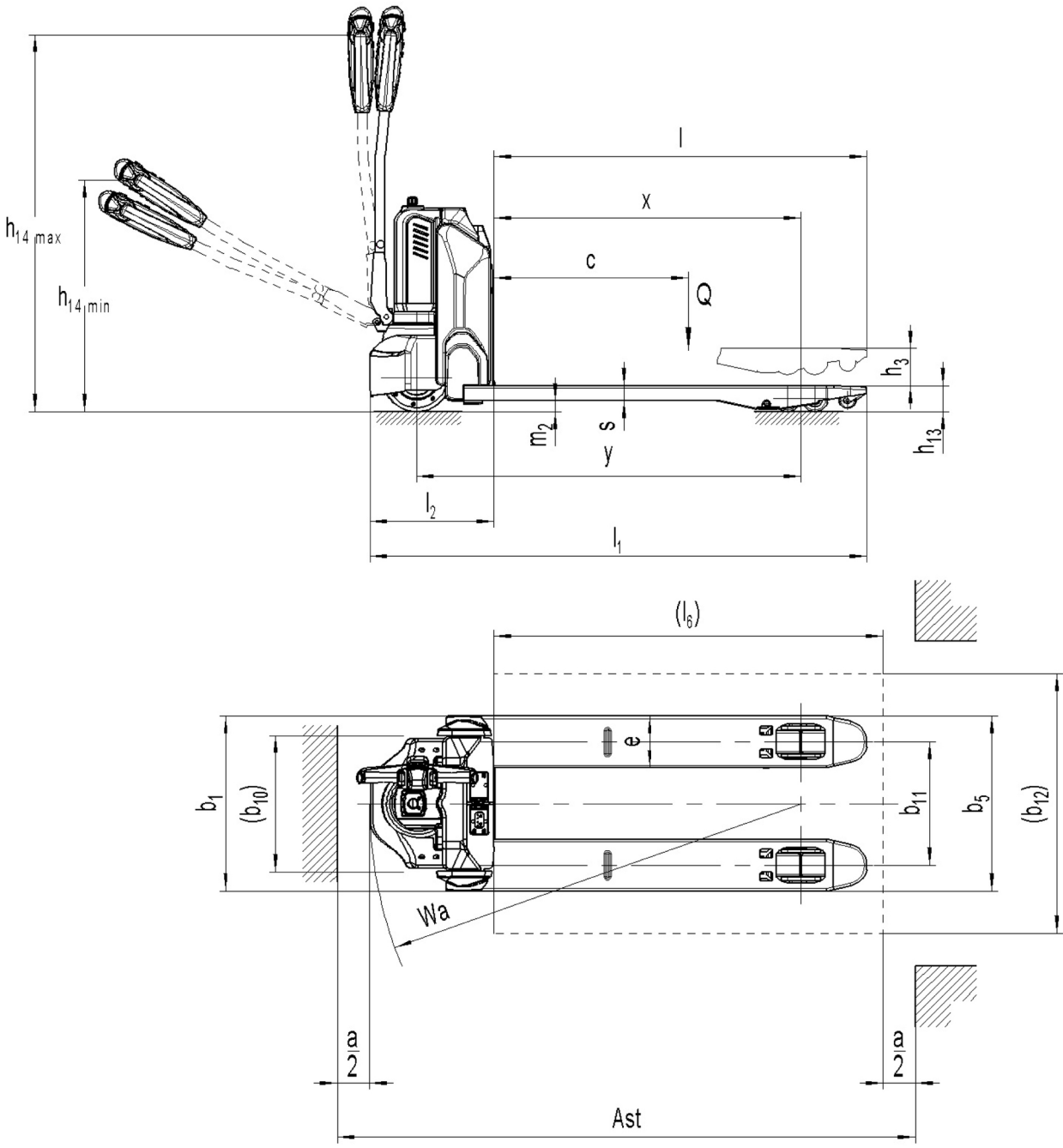
Technical data



Ameise PTE 1.5 Li-Ion

Electric pedestrian pallet truck (1,500 kg)

Ameise PTE 1.5 Li-Ion



Technical data as per VDI 2198

Stand-on: 06/2020

Characteristic	1.2	Manufacturer's type designation		Ameise PTE 1.5 Li-Ion		
	1.3	Drive		Electric		
	1.4	Operation		Pedestrian		
	1.5	Load capacity/load	Q kg	1.500		
	1.6	Load centre distance	c mm	600		
	1.8	Load distance, centre of drive axle to fork	x mm	947		
	Weights	2.1.1	Service weight (incl. battery)	kg	123	126
2.2		Axle load laden front/rear	kg	623 / 1.000	626 / 1.000	
Wheels/suspension system	3.1	Tyres		PU		
	3.2	Tyre size, front		Ø 210 x 70		
	3.3	Tyre size, rear		Ø 80 x 70		
	3.4	Additional wheels		-		
	3.5	Wheels, number front/back (x=driven)		1x/ 4		
	3.7	Tread width, rear	b ₁₁ mm	380	525	
Basic dimensions	4.4	Lift (h3)	h ₃ mm	115		
	4.9	Height of tiller handle in drive position min./max.	mm	700 / 1.160		
	4.15	Height, lowered	h ₁₃ mm	80		
	4.19	Overall length	l ₁ mm	1.530		
	4.20	Length including fork shank	l ₂ mm	380		
	4.21.2	2. Overall width (b2)	b ₂ mm	540	685	
	4.22	Fork dimensions	s/e/l mm	47 / 160 / 1.150		
	4.25	Width across forks (dimension 1), WaF	b ₅ mm	540	685	
	4.32	Ground clearance centre of wheelbase	m ₂ mm	33		
	4.34.1	Aisle width (pallet 800x1200 length)	A _{st} mm	2.000		
4.35	Turning radius	W _a mm	1.330			
Performance data	5.1	Travel speed laden/unladen	km/h	4.6 / 4.8		
	5.2	Lift speed laden/unladen	m/s	0.02 / 0.02		
	5.3	Lowering speed laden/unladen	m/s	0.05 / 0.04		
	5.8	Max. gradeability laden/unladen	%	4 / 16		
	5.10	Service brake		electromagnetic		
E-motor/ Electronics	6.1	Drive motor, performance S2 60 min	kW	0.65		
	6.2	Lift motor, performance with S3	kW	0.5		
	6.4	Battery voltage / nominal capacity	V / Ah	24 / 36		
	6.5	Battery weight	kg	7		
	Misc.	8.1	Type of drive control		Impulse/DC	
10.7		Sound level as per EN12053, operator's ear	dB (A)	69		

- This data sheet according to VDI guideline 2198 only states the technical values of the standard truck. Different tyres, other masts, additional equipment etc. may result in different values.