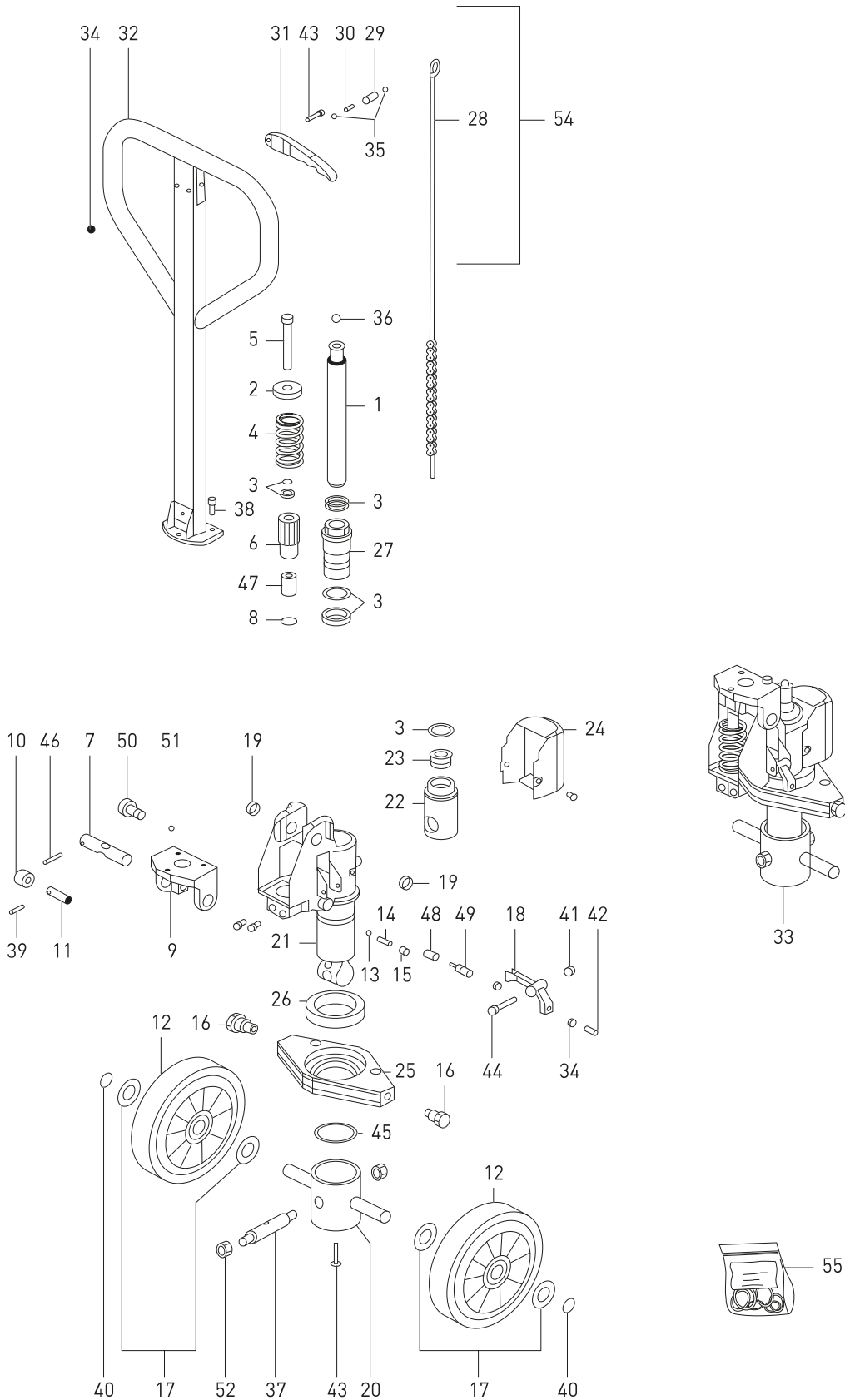




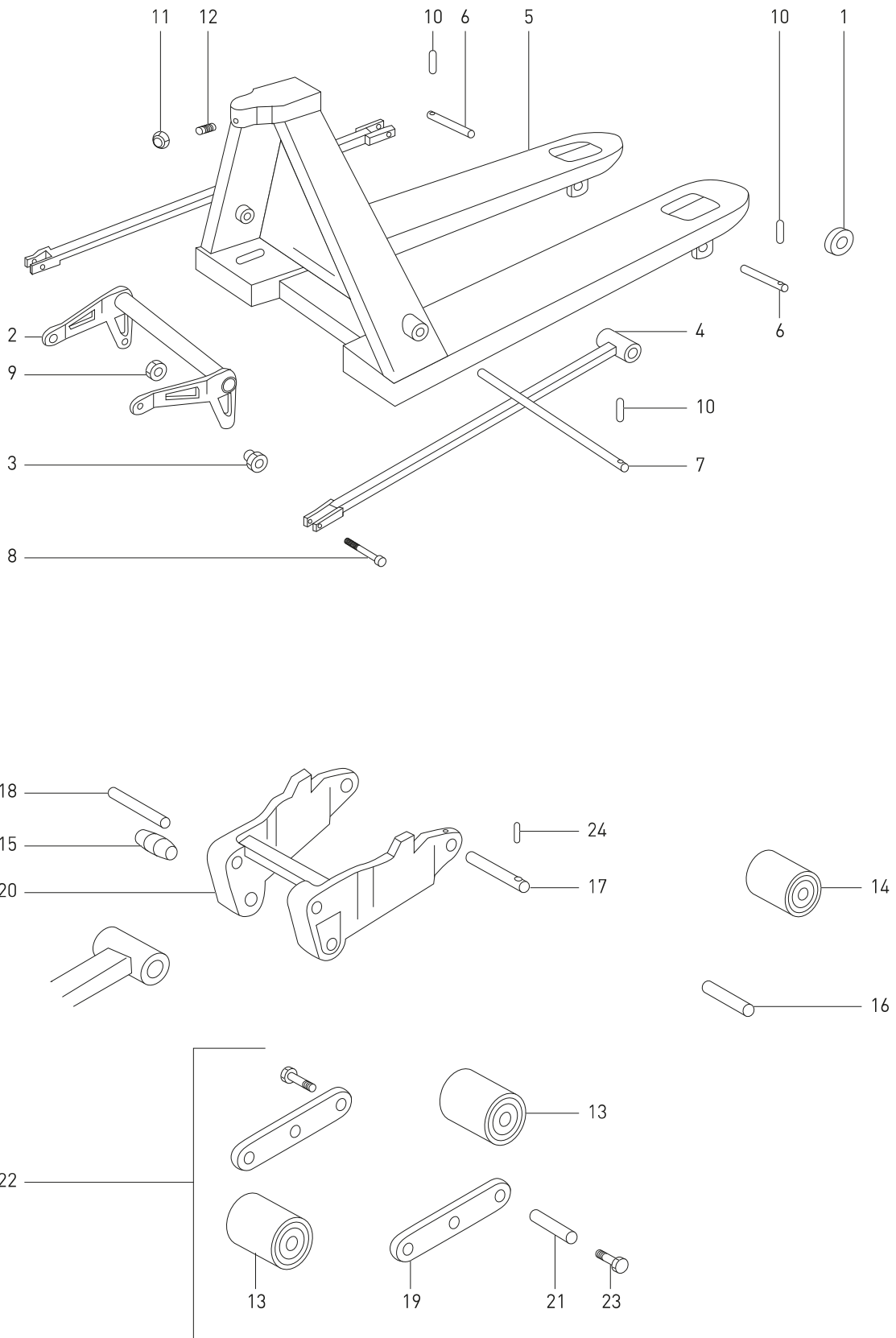
## HYDRAULIC UNIT PRAMAC LIFTER GS PREMIUM







## MAIN FRAME PRAMAC LIFTER GS PREMIUM





## MAIN FRAME PRAMAC LIFTER GS PREMIUM

Nr	Description	Qty	REF	Nr	Description	Qty	REF
1	Wheel, entry roller (nylon)	2	<a href="#">124TA2514</a>				
2A	Torsion tube (frame width: 520 mm)	1	<a href="#">124TA2487</a>				
2B	Torsion tube (frame width: 680 mm)	1	<a href="#">124TA2488</a>				
3	Bushing, push/pull rod non fork end	2	<a href="#">124TA6985</a>				
4A	Push/pull rod assembly, lift structure (fork length: 800 mm)	2	<a href="#">124TA2489</a>				
4B	Push/pull rod assembly, lift structure (fork length: 950 mm)	2	<a href="#">124TA2490</a>				
4C	Push/pull rod assembly, lift structure (fork length: 1150 mm)	2	<a href="#">124TA2491</a>				
6	Shaft, fork load wheel bracket to chassis	2	<a href="#">124TA2492</a>				
7A	Shaft pivot, torsion tube (frame width: 520 mm)	1	<a href="#">124TA2493</a>				
7B	Shaft pivot, torsion tube (frame width: 680 mm)	1	<a href="#">124TA2494</a>				
8	Shaft, push/pull rod non fork end	2	<a href="#">124TA2495</a>				
9	Nut	2	<a href="#">124TA2496</a>				
10	Elastic pin	2	<a href="#">124TA2497</a>				
11	Nut	1	<a href="#">124TA2498</a>				
12	Screw	1	<a href="#">124TA2499</a>				
13A	Wheel assembly, load (nylon) (tandem)	4	<a href="#">124TA2500</a>				
13B	Wheel assembly, load (polyurethane) (tandem)	4	<a href="#">124TA2501</a>				
14A	Wheel assembly, load (nylon) (single)	2	<a href="#">124TA2502</a>				
14B	Wheel assembly, load (polyurethane) (single)	2	<a href="#">124TA2503</a>				
15	Wheel, exit roller	2	<a href="#">124TA2504</a>				
16	Shaft/bolt load wheel	2	<a href="#">124TA2505</a>				
17	Shaft, center, fork load wheel	2	<a href="#">124TA2506</a>				
18	Shaft, push/pull rod fork end	2	<a href="#">124TA2507</a>				
19	Fork, load wheel	4	<a href="#">124TA2509</a>				
20	Fork, bracket load wheel	2	<a href="#">124TA2508</a>				
21	Shaft/bolt load wheel	4	<a href="#">124TA2510</a>				
22A	Carrier complete, load wheel (nylon) (tandem)	2	<a href="#">124TA2511</a>				
22B	Carrier complete, load wheel (polyurethane) (tandem)	2	<a href="#">124TA2512</a>				
23	Bolt	8	<a href="#">124TA2513</a>				
24	Elastic pin	2	<a href="#">124TA2368</a>				