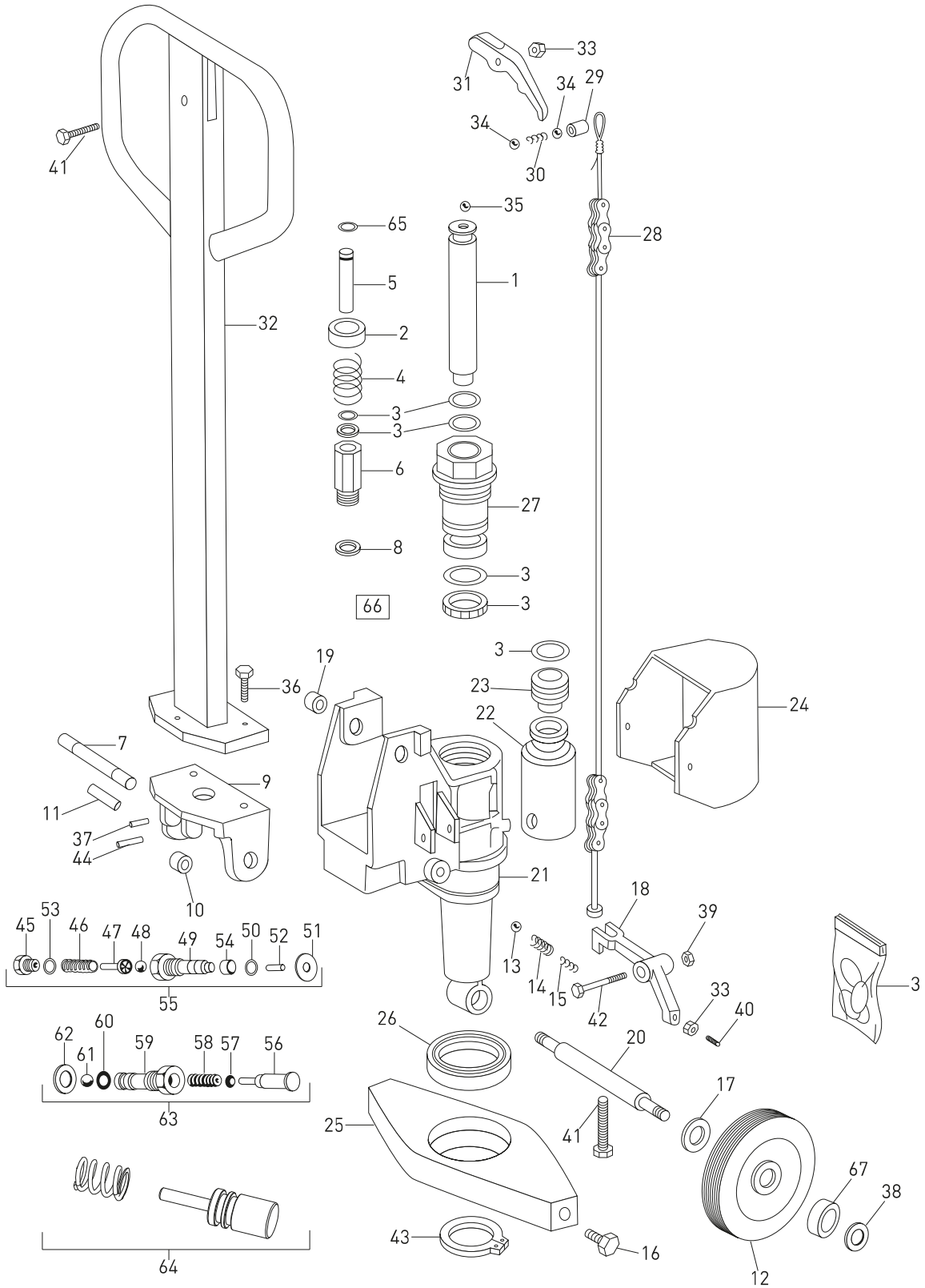




HYDRAULIC UNIT PRAMAC LIFTER GS





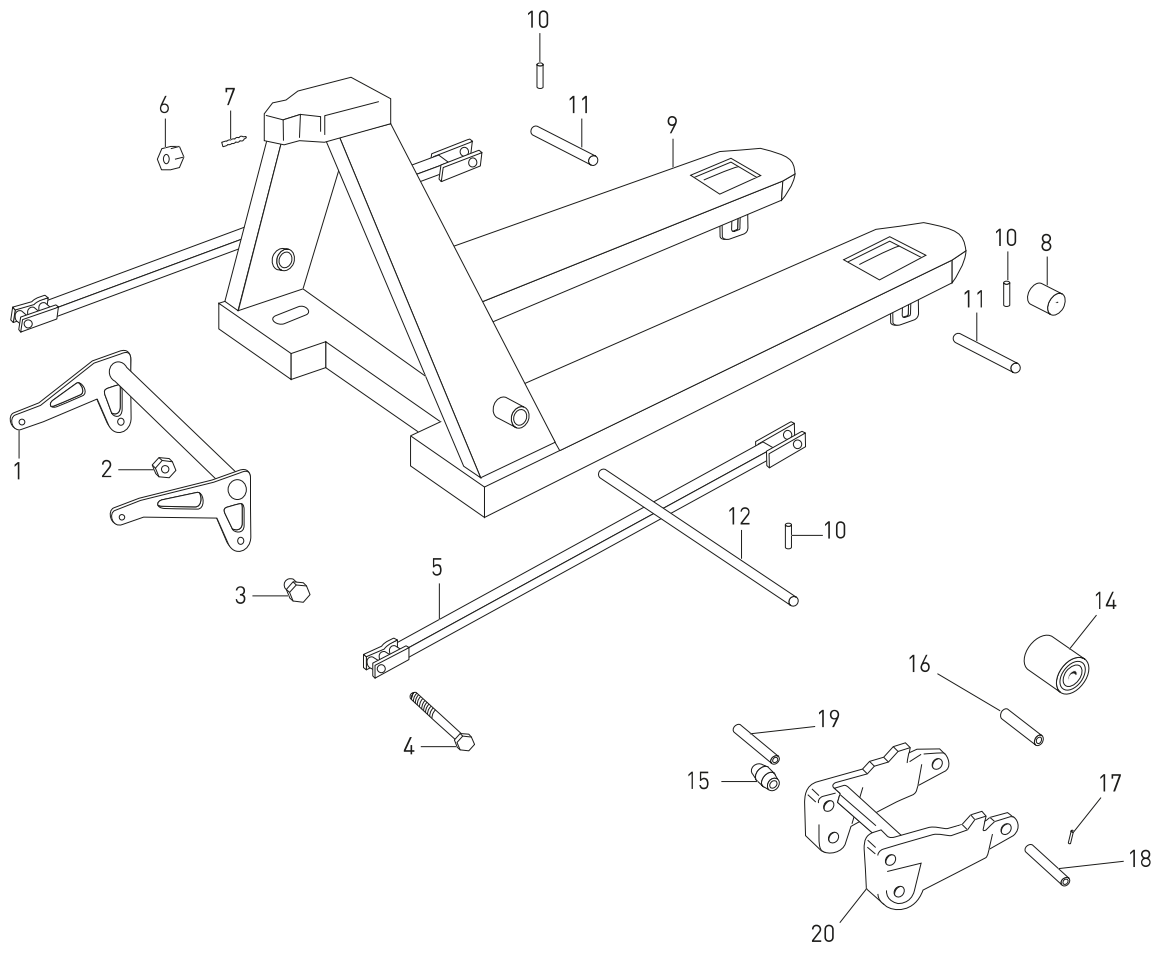
HYDRAULIC UNIT PRAMAC LIFTER GS

Nr	Description	Qty	REF
1	Piston, lift cylinder pallet truck	1	122TA6920
2	Cap, control handle pivot return spring	1	122TA6921
3A	Kit seal, hydraulic unit (31/03/2003) (-657540)	1	107TA7016
3B	Kit seal, hydraulic unit (1/04/2003-) (657541-)	1	122TA6922
4	Spring, control handle return torsion	1	122TA6923
5B	Piston, hydraulic pump unit	1	123TA9533
6A	Body, hydraulic pump unit piston	1	122TA6925
6B	Body, hydraulic pump unit piston (-31/03/2003)	1	123TA9534
7	Shaft, handle pivot	1	122TA6926
8	Sealing ring (copper) (thickness: 1,5 mm)	1	122TA6927
9	Bracket (tiller pivot)	1	122TA6928
10	Roller, control handle pump	1	122TA6929
11	Pin, control handle pump roller	1	122TA6930
12A	Wheel assembly, steer (rubber)	2	124TA2343
12B	Wheel assembly, steer (polyurethane) (aluminium rim)	2	124TA2344
12C	Wheel assembly, steer (nylon)	2	124TA2345
12D	Wheel assembly, steer (polyurethane) (nylon rim)	2	147TA4235
13	Steel ball	1	122TA6934
14	Spring	1	122TA6935
15	Screw	1	122TA6936
16	Shaft, torsion tube to thrust plate	2	122TA6937
17	Washer (plastic) (thickness: 3,8 mm)	2	122TA6938
18	Lever lift control	1	122TA6939
19	Bushing, handle pivot	2	122TA6940
20	Shaft, steer wheel	1	122TA6941
21A	Housing, pump (1/04/2003-)	1	122TA6943
21B	Pump housing (-31/03/2003)	1	122TA6942
22	Tank, hydraulic oil	1	122TA6944
23	Cap, rubber	1	122TA6945
24	Protection, hydraulic pump unit oil tank	1	122TA6946
25A	Thrust plate, hydraulic pump unit mounting (-30/06/1998)	1	122TA6947
25B	Thrust plate, hydraulic pump unit mounting (1/07/1998-)	1	122TA6948
26	Bearing, hydraulic unit pivot	1	122TA6949
27	Body, hydraulic pump unit piston	1	122TA6950

Nr	Description	Qty	REF
28A	Rod complete, lowering (-31/03/2003)	1	122TA6951
28B	Rod complete, lowering (1/04/2003-)	1	122TA6952
29	Bushing (without collar)	1	105TA1804
30	Spring	1	122TA6953
31	Lever lowering, tiller	1	122TA6954
32	Bracket, tiller arm	1	122TA6955
33	Nut	1	122TA6956
34	Steel ball	2	122TA6957
35	Steel ball, lift cylinder piston pallet truck	1	122TA6958
36	Bolt	3	122TA6959
37	Elastic pin	1	122TA6960
38	Circlip	2	122TA6961
39	Lock nut	1	122TA6962
40	Screw	1	122TA6963
41	Bolt	1	122TA6964
42	Bolt	1	122TA6965
43	Circlip	1	122TA6966
44	Elastic pin	1	122TA6967
45	Plug	1	122TA6968
46	Spring	1	122TA6969
47	Axle	1	122TA6970
48	Steel ball	1	122TA6934
49	Valve release, hydraulic unit	1	122TA6971
50	O-ring	1	122TA6972
51	Bonded seal	1	105TA1268
52	Elastic pin	1	122TA6973
53	Sealing ring (aluminium) (thickness: 3 mm)	1	122TA6974
54	Spring	1	122TA6975
55	Valve release, hydraulic unit	1	106TA6784
56	Plunger, valve	1	122TA6976
57	O-ring	2	122TA6977
58	Spring	1	122TA6978
59	Valve release, hydraulic unit	1	122TA6979
60	O-ring	1	122TA6972
61	Steel ball	1	122TA6957
62	Bonded seal	1	105TA1268
63	Valve release, hydraulic unit (-31/03/2003) (-657540)	1	106TA6783
64	Valve release, hydraulic unit (1/04/2003-) (657540-)	1	124TA7533
65	Circlip	1	122TA6980
66	Hydraulic unit	1	123TA9535
67	Bearing	4	107TA3175
68	Handle assembly	1	124TA2381



MAIN FRAME PRAMAC LIFTER GS



TANDEM

