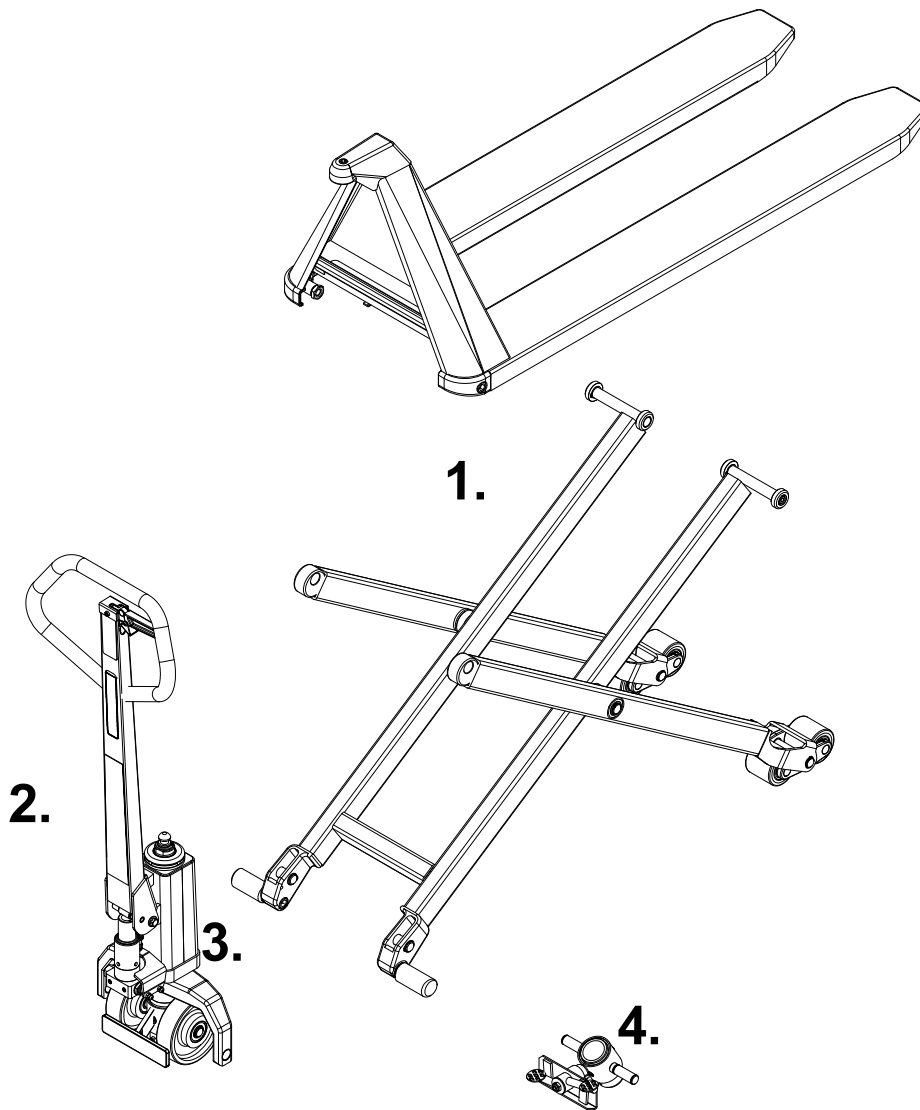


HL 1006

SPARE PARTS LIST





Index

1.	HL 1006 Chassis.....	3
2.	HL 1006 Handle and pump.....	6
3.	HL 1006 Pump.....	8
4.	HL 1006 Parking brake.....	11

The correct spare parts are obtainable from your dealer.
When ordering, please state:

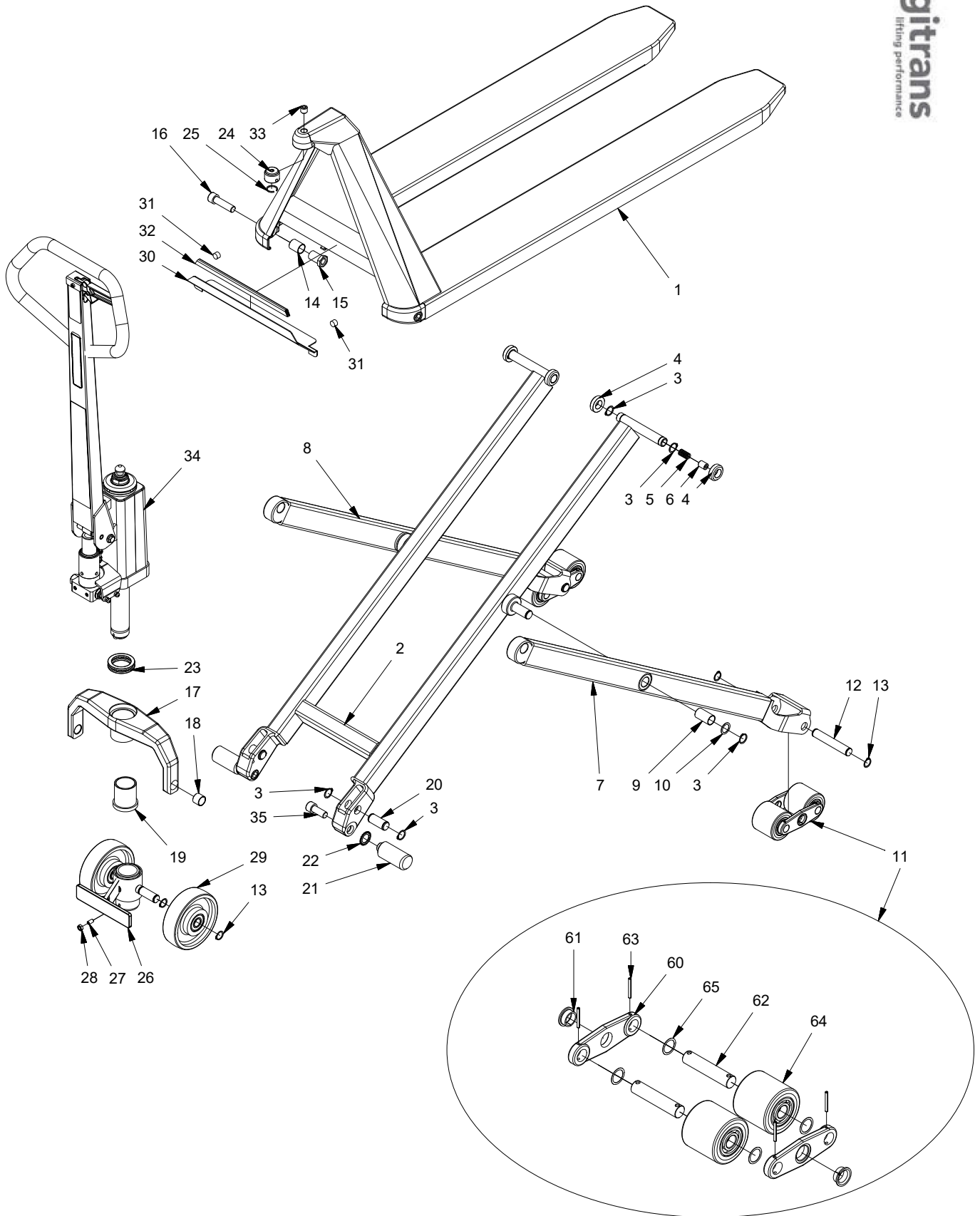
- Serial number of the product
- Type and width/length of the product
- Spare part no.

When ordering spare parts with „Part no.“ being grey, please state one of the following colour codes:

- 1: RAL 2002 (Logitrans red)
- 2: RAL 1028 (yellow)
- 3: An other RAL colour
- 6: black

Ex. 425050-1 => 425050-1-1

HL 1006 Chassis



HL 1006 Chassis

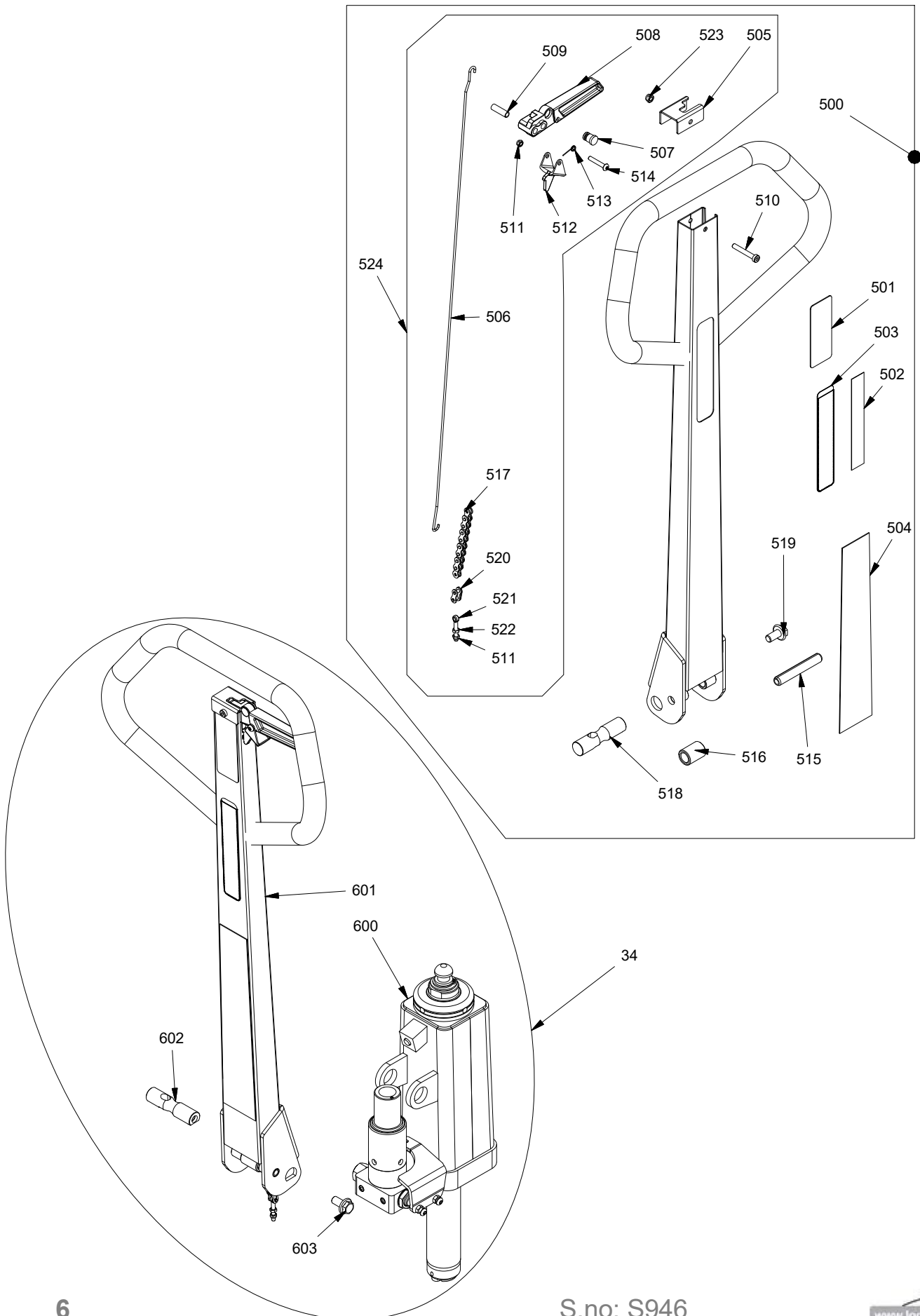
Item	Part no.	Qty	Description	Note
1	425050-1	1	Chassis 480x700	
	425050-2		Chassis 480x900	
	425050-3		Chassis 480x1200	
	425050-4		Chassis 480x1520	
1	425052-1	1	Chassis 540x700	
	425052-2		Chassis 540x900	
	425052-3		Chassis 540x1200	
	425052-4		Chassis 540x1520	
	425052-5		Chassis 540x2000	
1	425053-1	1	Chassis 680x700	
	425053-2		Chassis 680x900	
	425053-3		Chassis 680x1200	
	425053-4		Chassis 680x1520	
	425053-5		Chassis 680x2000	
2	425100-1	1	Double leg 480x700	
	425100-2		Double leg 480x900	
	425100-3		Double leg 480x1200	
	425100-4		Double leg 480x1520	
2	425102-1	1	Double leg 540x700	
	425102-2		Double leg 540x900	
	425102-3		Double leg 540x1200	
	425102-4		Double leg 540x1520	
	425102-6		Double leg 540x200 90 mm	
2	425103-1	1	Double leg 680x700	
	425103-2		Double leg 680x900	
	425103-3		Double leg 680x1200	
	425103-4		Double leg 680x1520	
	425103-6		Double leg 680x2000 90mm	
3	933220	10	Locking ring	
4	425407	4	Fork roller	
5	958206	2	Compression spring	
6	402489	2	Support stud	
7	425109-1H	1	Single leg right cpl. 700	
	425109-2H		Single leg right cpl. 900	
	425109-3H		Single leg right cpl. 1200	
	425109-4H		Single leg right cpl. 1520	
	425109-5H		Single leg right cpl. 2000 110	
	425109-6H		Single leg right cpl. 2000 90	
8	425109-1V	1	Single leg left cpl. 700	
	425109-2V		Single leg left cpl. 900	
	425109-3V		Single leg left cpl. 1200	
	425109-4V		Single leg left cpl. 1520	
	425109-5V		Single leg left cpl. 2000 110	
	425109-6V		Single leg left cpl. 2000 90	
9	425409	2	Bushing	
10	926221	2	Washer	
	425427		Washer (Only 1520/2000)	
11	404007	2	Tandem cpl. Ø75 nylon	
	404008		Tandem cpl. Ø75, polyurethan	
	404009		Tandem cpl. Ø75, vulkollan	
	404010		Tandem cpl. Ø75, steel	
12	425406	2	Wheel axle	
13	933200	8	Locking ring	
14	401062	2	Bushing	

HL 1006 Chassis



Item	Part no.	Qty	Description	Note
15	425400	2	Nut	
16	919661	2	Screw	
17	425215-1 425215-3 425215-4	1	Thrust plate 480 Thrust plate 540 Thrust plate 680	
18	401061	2	Nylon bushing	
19	401603	1	Bushing	
20	400754	2	Axle f/thrust plate	
21	425403 425404	2	Support leg Support legs "1520"	
22	925123	2	Toothed washer	
23	945045	1	Thrust bearing Ø45xØ65x14	
24	425401	1	Ball socket	
25	935227	1	Spring ring	
26	425476 425476S 425477	1	Wheel holder w/foot protection Wheel holder welded HL Wheel holder foot protec. 480	
27	910816	1	Pointed screw	
28	922080	1	Nut	
29	400713L 401096L 401578L 400757L 401758L 400783L 400760L 403806L 401758DL 401885L	2	Steering wheel nylon Ø150 W/B Steering wheel steel Ø150 W/B Steering wheel poly. w/bearing Steering wheel, vulk. Ø150 w/b Steering w Ø150 anti-st bearin Steering wheel 480 Nylon Ø150 Steering wheel/480 vulk. Ø150 Steering wheel 480 Poly Ø150 Steering wheel/480 Anti static Steer. wheel/480 steel Ø150x35 W/B	
30	425213 425212 425214	1	Tray f/triangle 480 Tray f/triangle 540 Tray f/triangle 680	
31	993010	2	Rubber dab	
32	889115	1	Rubber profile	
33	910616	1	Pointed screw	
34	170669-1 170669-2 170669-3	1	Pump cpl. 700 with handle Pump cpl. 900 with handle Pump cpl 1200 with handle	!! Ball socket 425401 and Spring ring 935227 incl. Pump cpl.
35	919640	2	Screw	
60	404060	4	Tandem bracket	
61	404062	4	Bushing	
62	400162	4	Tandem axle	
63	931435	8	Straight Pin Ø4x36 Iso 8752	
64	404003L 404004L 404005L 404006L	4	Tand.wheel Ø75 Nylon black m/b Tand.wheel Ø75 poly w.bearing Tand. wheel Ø75 vul with bear. Tand.wheel Ø75 steel w/bearing	
65	929200	4	Wave Washer Ø27xØ21x0.3	

HL 1006 Handle and pump



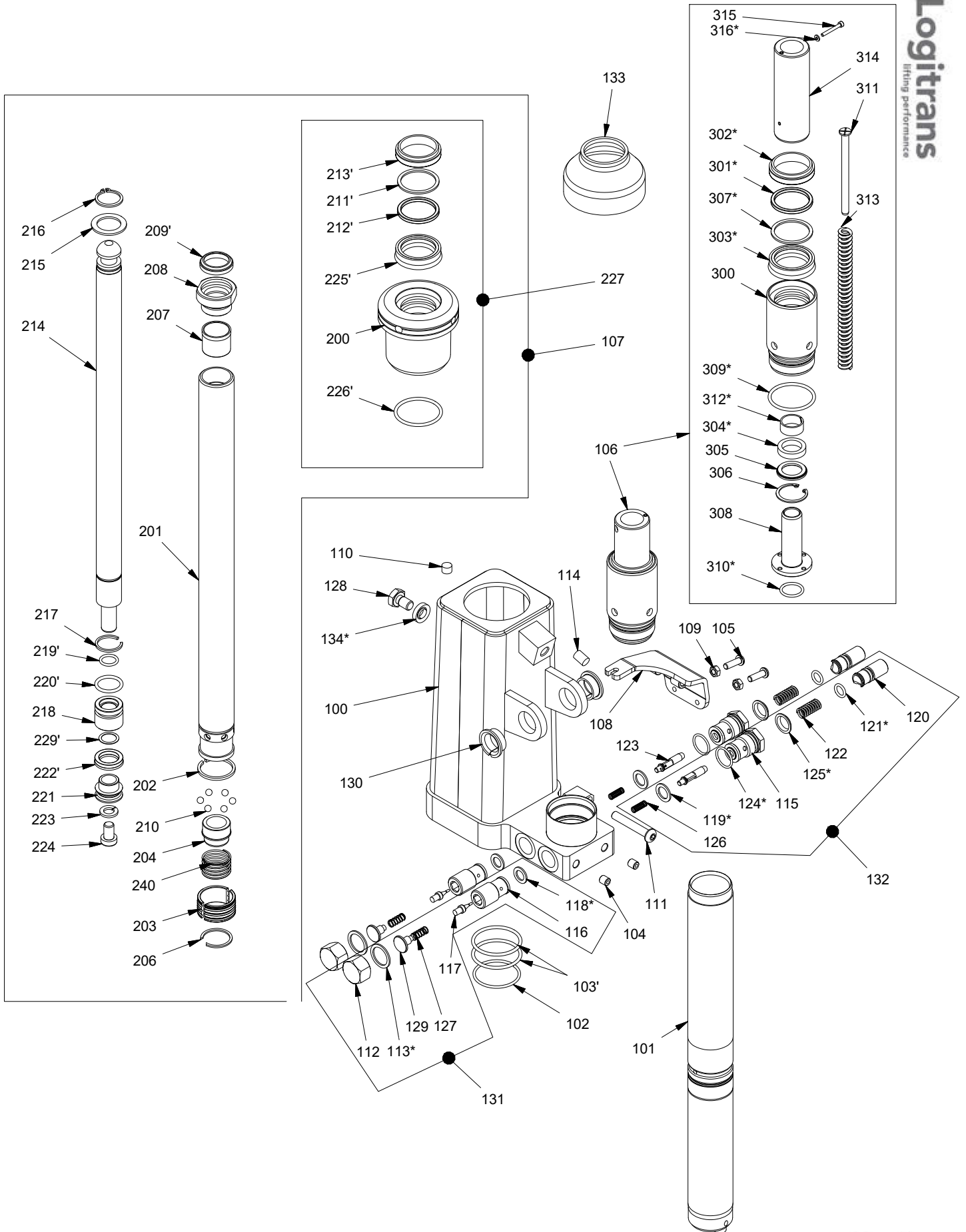
HL 1006 Handle and pump



Item	Part no.	Qty	Description	Note
500	425513	1	Handle, long, cpl. HL1006	
501	991181	1	Release label	
502	991155	1	Handle cardboard	
503	899106	1	Plastic pocket f/handle	
504	991192	1	Handle label	
505	404461	1	Top for handle	
506	425511	1	Release rod f/handle HL1006	
507	425512	1	Pin	
508	425515	1	Release lever HL1006	
509	415311	1	Bushing for release handle	
510	912641	1	Ch Screw M6X40 Din 7984	
511	921050	2	Lock nut	
512	420258	1	Release fittings	
513	958550	1	Torsion spring	
514	912530	1	Ch Screw M5X30 Din 912	
515	931280	1	Straight Pin Ø12x80 Iso 8752	
516	415083	1	Roll f/handle	
517	951006	1	Chain 081 1/2x1/8" DIN 8187	
518	415206	1	Handle axle	
519	916120	1	Hex Screw flan M10x20	
520	951001	1	Chain connector 1/2x1/8"	
521	404480	1	Eyescrew	
522	922050	1	Nut	
523	921060	1	Lock nut	
524	170490	1	Release lever cpl. HL1006	

Item	Part no.	Qty	Description	Note
34	170669-1	1	Pump cpl. 700 with handle	!! Ball socket 425401 and Spring ring 935227 incl. Pump cpl.
	170669-2		Pump cpl. 900 with handle	
	170669-3		Pump cpl 1200 with handle	
600	170668-3	1	Pump cpl 1200 without handle	
601	425513	1	Handle, long, cpl. HL1006	
602	415206	1	Handle axle	
603	916120	1	Hex Screw flan M10x20	

HL 1006 Pump



HL 1006 Pump

Item	Part no.	Qty	Description	Note
100	425500	1	Pump welded HL1006 RAL9005	
101	400678	1	Bottom cylinder	
102	935450	1	Spring ring	
103 ¹	900440	2	O-ring	
104	990041	2	Closing plug	
105	919620	2	Screw	
106	170041	1	Pump cylinder cpl.	
107	170056	1	Telescopic cylinder with top	
108	425509	1	Release arm f/HL pump	
109	922060	2	Nut	
110	990010	1	Magnet	
111	919850	1	Screw	
112	415380	2	Valve cap nut	
113 [*]	905205	2	Copper washer	
114	425516	1	Damper f/handle HL1006	
115	404444C	2	Valve house safe.valve HL 1006	
116	404445	2	Valve housing f/release cone	
117	415016	2	Release cone	
118 [*]	415395	2	Copper washer	
119 [*]	415394	2	Copper washer	
120	415011	2	Release indicator	
121 [*]	900102	2	O-ring	
122	958130	2	Spring	
123	170660	2	Safety valve	
124 [*]	900192	2	O-ring	
125 [*]	908150	2	Scraper ring	
126	958058	2	Spring	
127	958072	2	Spring	
128	400658	1	Screw	
129	415385	2	Guide for spring	
130	404062	2	Bushing	
131	170491	2	Release valve insert cpl.	
132	170492	2	Valve safe insert cpl. HL1006	
133	425411	1	Rubber sleeve	
134 [*]	905101	1	Plug gasket	

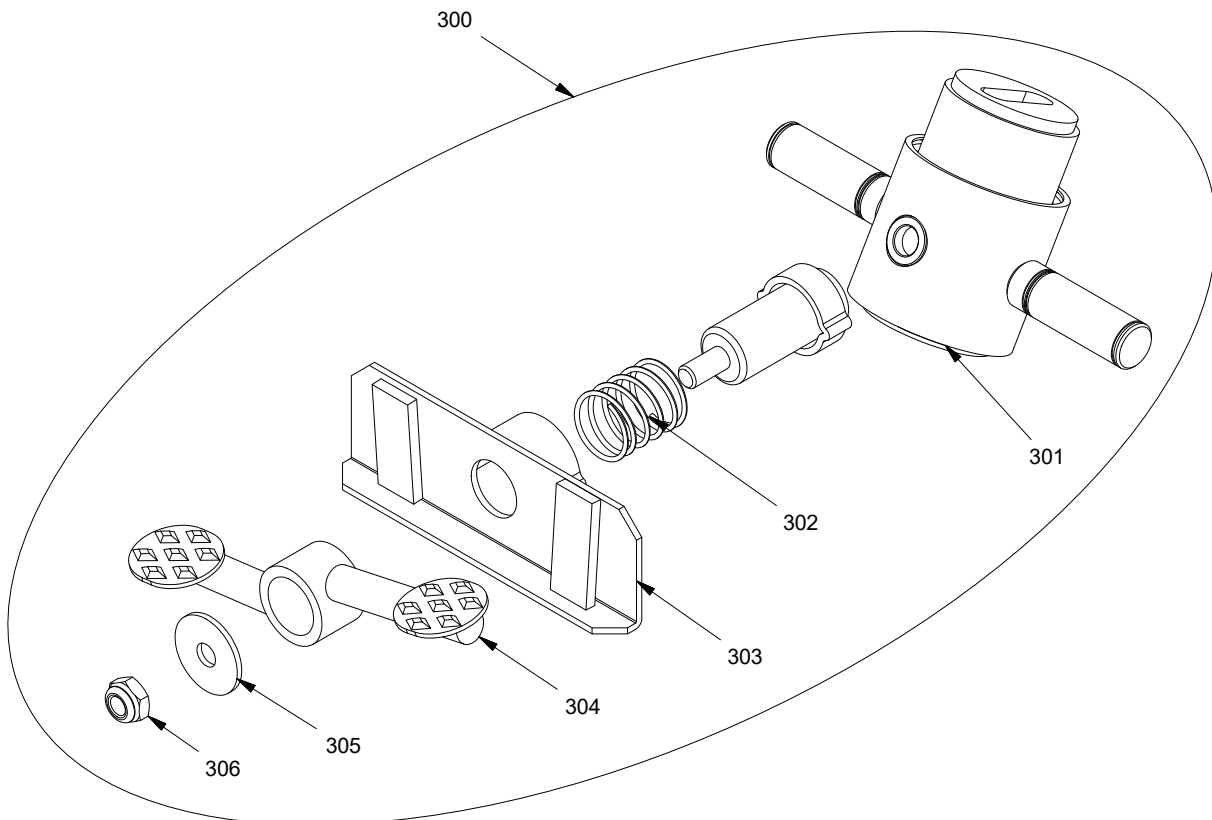
HL 1006 Pump



Item	Part no.	Qty	Description	Note
200	403959E	1	Top section f/HL	
201	403961	1	Lifting cylinder	
202	425421	1	Locking ring	
203	403963	1	Use 403963R	
204	400910	1	Ball stop f/HL	
206	935460	1	Locking ring	
207	400897	1	Bronze bushing	
208	403955	1	Bronze guide	
209'	901205	1	Sleeve	
210	941006	6	Ball Ø6,5 G28	
211'	900352	1	Backup ring	
212'	900351	1	Quad ring	
213'	908350	1	Scraper ring	
214	425402	1	Pistonrod 1200	
215	425415	1	Washer	
216	933242	1	Locking ring	
217	935227	1	Spring ring	
218	403957	1	Piston	
219'	900140	1	O-ring	
220'	900220	1	O-ring	
221	403958	1	Piston f/ball	
222'	901204	1	Sleeve	
223	925101	1	Spring washer	
224	919116	1	Screw	
225'	901350-1	1	U-sleeve	
226'	900420	1	O-ring	
227	170466	1	Top section, cpl.	
229'	905150	1	Copper washer	
240	958028	1	Spring D1,50 Du:28,7 Lo:18	

Item	Part no.	Qty	Description	Note
300	400659	1	Pump cylinder	
301*	900351	1	Quad ring	
302*	908350	1	Scraper ring	
303*	901350-1	1	U-sleeve	
304*	901203	1	U-sleeve	
305	400667	1	Sleeve washer	
306	934300	1	Locking ring	
307*	900352	1	Backup ring	
308	400657	1	High pressure piston	
309*	900410	1	O-ring	
310*	900190	1	O-ring	
311	400679	1	Spring guide	
312*	400676	1	Guide ring	
313	958141	1	Spring D3,0 Du:14,0 Lo:170	
314	400655R	1	Pump piston cpl.	
315	912325	1	Screw	
316*	905030	1	Gasket ring	
	170058	1	Cpl. set of gaskets HL/EHL	All parts marked ' incl.
	170059	1	Cpl. set of gaskets HL	All parts marked * incl.

HL 1006 Parking brake



Item	Part no.	Qty	Description	Note
300	170442	1	Parking brake HL 1005 540	
301	300728	1	Wheel holder f/brake	
302	958260	1	Compression spring	
303	400780	1	Brake plate HL	
304	400782	1	Brake pedal HL	
305	924100	1	Washer	
306	921100	1	Lock nut	