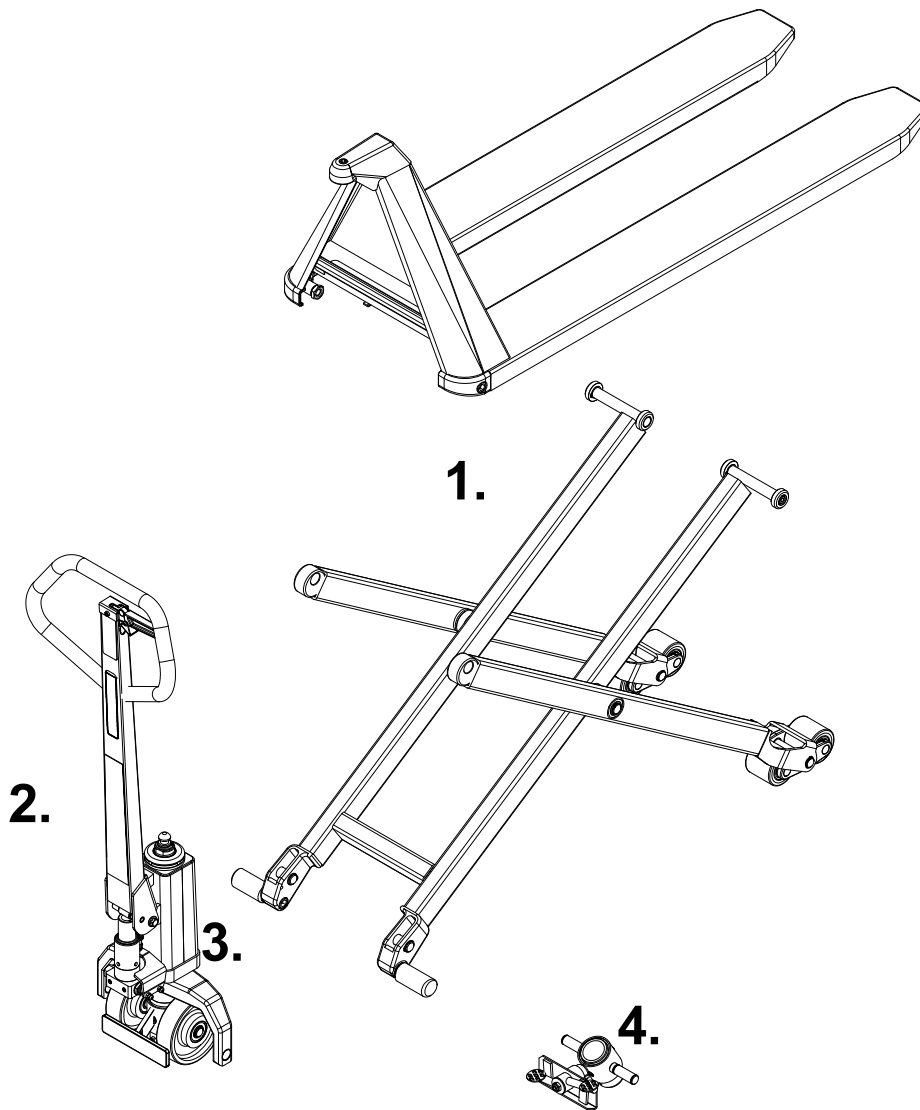


# HL 1006

## SPARE PARTS LIST





## Index

|    |                              |    |
|----|------------------------------|----|
| 1. | HL 1006 Chassis.....         | 3  |
| 2. | HL 1006 Handle and pump..... | 6  |
| 3. | HL 1006 Pump.....            | 8  |
| 4. | HL 1006 Parking brake.....   | 11 |

The correct spare parts are obtainable from your dealer.  
When ordering, please state:

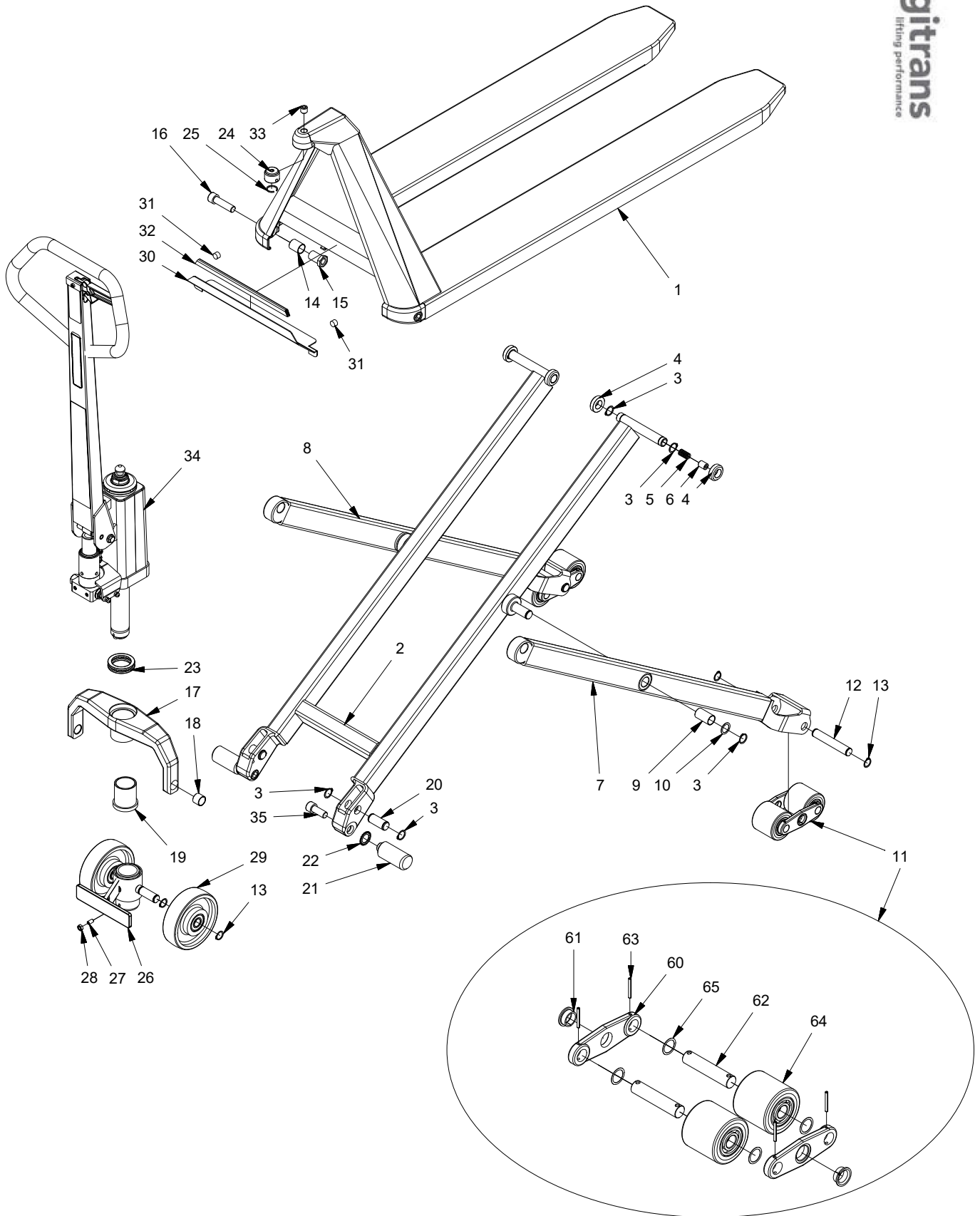
- Serial number of the product
- Type and width/length of the product
- Spare part no.

When ordering spare parts with „Part no.“ being grey, please state one of the following colour codes:

- 1: RAL 2002 (Logitrans red)
- 2: RAL 1028 (yellow)
- 3: An other RAL colour
- 6: black

Ex. 425050-1 => 425050-1-1

# HL 1006 Chassis



# HL 1006 Chassis

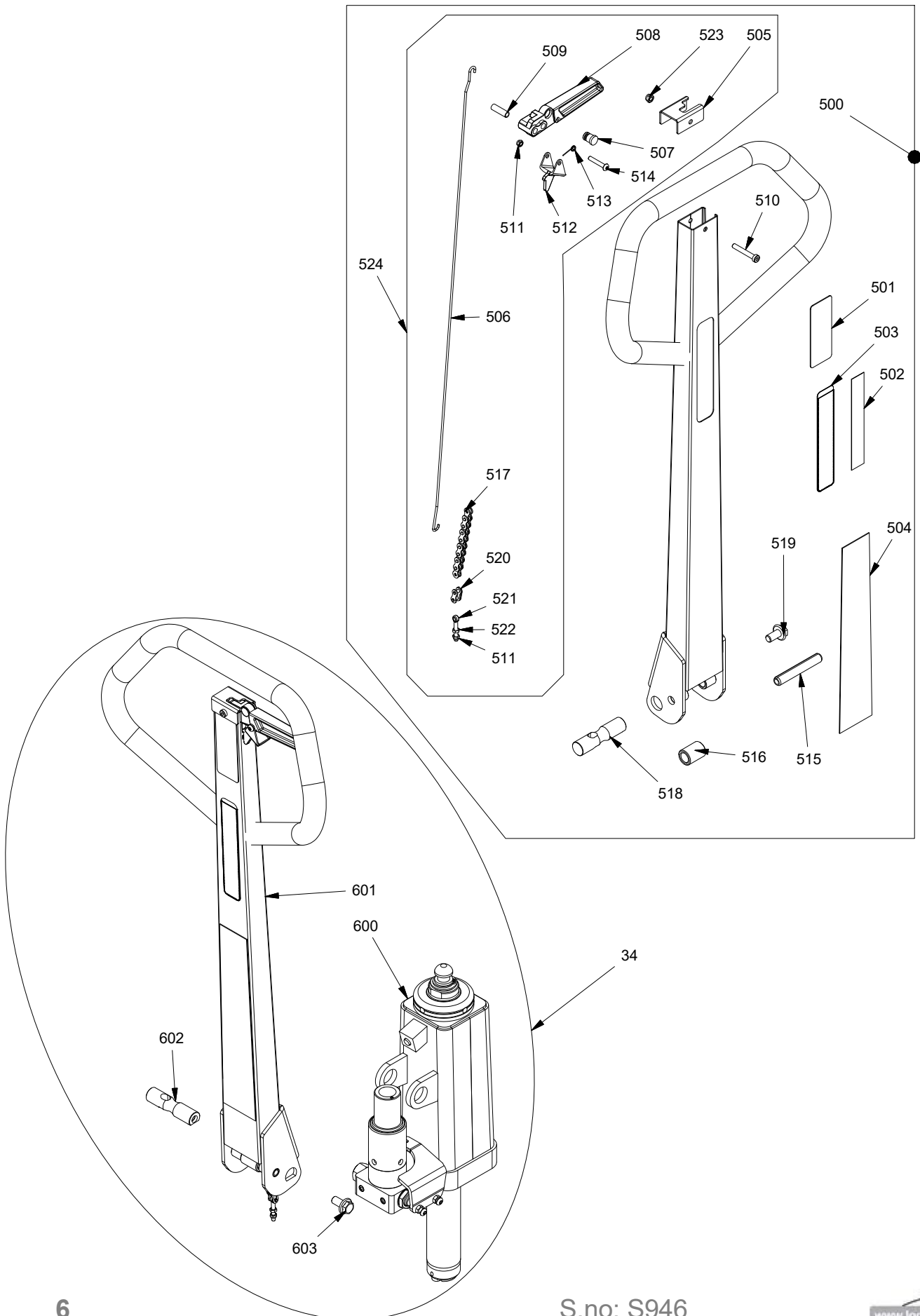
| Item | Part no.  | Qty | Description                    | Note |
|------|-----------|-----|--------------------------------|------|
| 1    | 425050-1  | 1   | Chassis 480x700                |      |
|      | 425050-2  |     | Chassis 480x900                |      |
|      | 425050-3  |     | Chassis 480x1200               |      |
|      | 425050-4  |     | Chassis 480x1520               |      |
| 1    | 425052-1  | 1   | Chassis 540x700                |      |
|      | 425052-2  |     | Chassis 540x900                |      |
|      | 425052-3  |     | Chassis 540x1200               |      |
|      | 425052-4  |     | Chassis 540x1520               |      |
|      | 425052-5  |     | Chassis 540x2000               |      |
| 1    | 425053-1  | 1   | Chassis 680x700                |      |
|      | 425053-2  |     | Chassis 680x900                |      |
|      | 425053-3  |     | Chassis 680x1200               |      |
|      | 425053-4  |     | Chassis 680x1520               |      |
|      | 425053-5  |     | Chassis 680x2000               |      |
| 2    | 425100-1  | 1   | Double leg 480x700             |      |
|      | 425100-2  |     | Double leg 480x900             |      |
|      | 425100-3  |     | Double leg 480x1200            |      |
|      | 425100-4  |     | Double leg 480x1520            |      |
| 2    | 425102-1  | 1   | Double leg 540x700             |      |
|      | 425102-2  |     | Double leg 540x900             |      |
|      | 425102-3  |     | Double leg 540x1200            |      |
|      | 425102-4  |     | Double leg 540x1520            |      |
|      | 425102-6  |     | Double leg 540x200 90 mm       |      |
| 2    | 425103-1  | 1   | Double leg 680x700             |      |
|      | 425103-2  |     | Double leg 680x900             |      |
|      | 425103-3  |     | Double leg 680x1200            |      |
|      | 425103-4  |     | Double leg 680x1520            |      |
|      | 425103-6  |     | Double leg 680x2000 90mm       |      |
| 3    | 933220    | 10  | Locking ring                   |      |
| 4    | 425407    | 4   | Fork roller                    |      |
| 5    | 958206    | 2   | Compression spring             |      |
| 6    | 402489    | 2   | Support stud                   |      |
| 7    | 425109-1H | 1   | Single leg right cpl. 700      |      |
|      | 425109-2H |     | Single leg right cpl. 900      |      |
|      | 425109-3H |     | Single leg right cpl. 1200     |      |
|      | 425109-4H |     | Single leg right cpl. 1520     |      |
|      | 425109-5H |     | Single leg right cpl. 2000 110 |      |
|      | 425109-6H |     | Single leg right cpl. 2000 90  |      |
| 8    | 425109-1V | 1   | Single leg left cpl. 700       |      |
|      | 425109-2V |     | Single leg left cpl. 900       |      |
|      | 425109-3V |     | Single leg left cpl. 1200      |      |
|      | 425109-4V |     | Single leg left cpl. 1520      |      |
|      | 425109-5V |     | Single leg left cpl. 2000 110  |      |
|      | 425109-6V |     | Single leg left cpl. 2000 90   |      |
| 9    | 425409    | 2   | Bushing                        |      |
| 10   | 926221    | 2   | Washer                         |      |
|      | 425427    |     | Washer (Only 1520/2000)        |      |
| 11   | 404007    | 2   | Tandem cpl. Ø75 nylon          |      |
|      | 404008    |     | Tandem cpl. Ø75, polyurethan   |      |
|      | 404009    |     | Tandem cpl. Ø75, vulkollan     |      |
|      | 404010    |     | Tandem cpl. Ø75, steel         |      |
| 12   | 425406    | 2   | Wheel axle                     |      |
| 13   | 933200    | 8   | Locking ring                   |      |
| 14   | 401062    | 2   | Bushing                        |      |

# HL 1006 Chassis



| Item | Part no.  | Qty | Description  | Note   |
|------|---|-----|--|--|
| 15   | 425400  | 2   | Nut  |  |
| 16   | 919661  | 2   | Screw  |  |
| 17   | 425215-1<br>425215-3<br>425215-4  | 1   | Thrust plate 480<br>Thrust plate 540<br>Thrust plate 680   |  |
| 18   | 401061  | 2   | Nylon bushing  |  |
| 19   | 401603  | 1   | Bushing  |  |
| 20   | 400754  | 2   | Axle f/thrust plate  |  |
| 21   | 425403<br>425404  | 2   | Support leg<br>Support legs "1520"   |  |
| 22   | 925123  | 2   | Toothed washer   |  |
| 23   | 945045  | 1   | Thrust bearing Ø45xØ65x14  |  |
| 24   | 425401  | 1   | Ball socket  |  |
| 25   | 935227  | 1   | Spring ring  |  |
| 26   | 425476<br>425476S<br>425477   | 1   | Wheel holder w/foot protection<br>Wheel holder welded HL<br>Wheel holder foot protec. 480  |  |
| 27   | 910816  | 1   | Pointed screw  |  |
| 28   | 922080  | 1   | Nut  |  |
| 29   | 400713L<br>401096L<br>401578L<br>400757L<br>401758L<br>400783L<br>400760L<br>403806L<br>401758DL<br>401885L | 2   | Steering wheel nylon Ø150 W/B<br>Steering wheel steel Ø150 W/B<br>Steering wheel poly. w/bearing<br>Steering wheel, vulk. Ø150 w/b<br>Steering w Ø150 anti-st bearin<br>Steering wheel 480 Nylon Ø150<br>Steering wheel/480 vulk. Ø150<br>Steering wheel 480 Poly Ø150<br>Steering wheel/480 Anti static<br>Steer. wheel/480 steel Ø150x35 W/B |  |
| 30   | 425213<br>425212<br>425214  | 1   | Tray f/triangle 480<br>Tray f/triangle 540<br>Tray f/triangle 680  |  |
| 31   | 993010  | 2   | Rubber dab   |  |
| 32   | 889115  | 1   | Rubber profile   |  |
| 33   | 910616  | 1   | Pointed screw  |  |
| 34   | 170669-1<br>170669-2<br>170669-3  | 1   | Pump cpl. 700 with handle<br>Pump cpl. 900 with handle<br>Pump cpl 1200 with handle  | !! Ball socket 425401 and Spring ring 935227 incl. Pump cpl. |
| 35   | 919640  | 2   | Screw  |  |
| 60   | 404060  | 4   | Tandem bracket   |  |
| 61   | 404062  | 4   | Bushing  |  |
| 62   | 400162  | 4   | Tandem axle  |  |
| 63   | 931435  | 8   | Straight Pin Ø4x36 Iso 8752  |  |
| 64   | 404003L<br>404004L<br>404005L<br>404006L  | 4   | Tand.wheel Ø75 Nylon black m/b<br>Tand.wheel Ø75 poly w.bearing<br>Tand. wheel Ø75 vul with bear.<br>Tand.wheel Ø75 steel w/bearing  |  |
| 65   | 929200  | 4   | Wave Washer Ø27xØ21x0.3  |  |

# HL 1006 Handle and pump



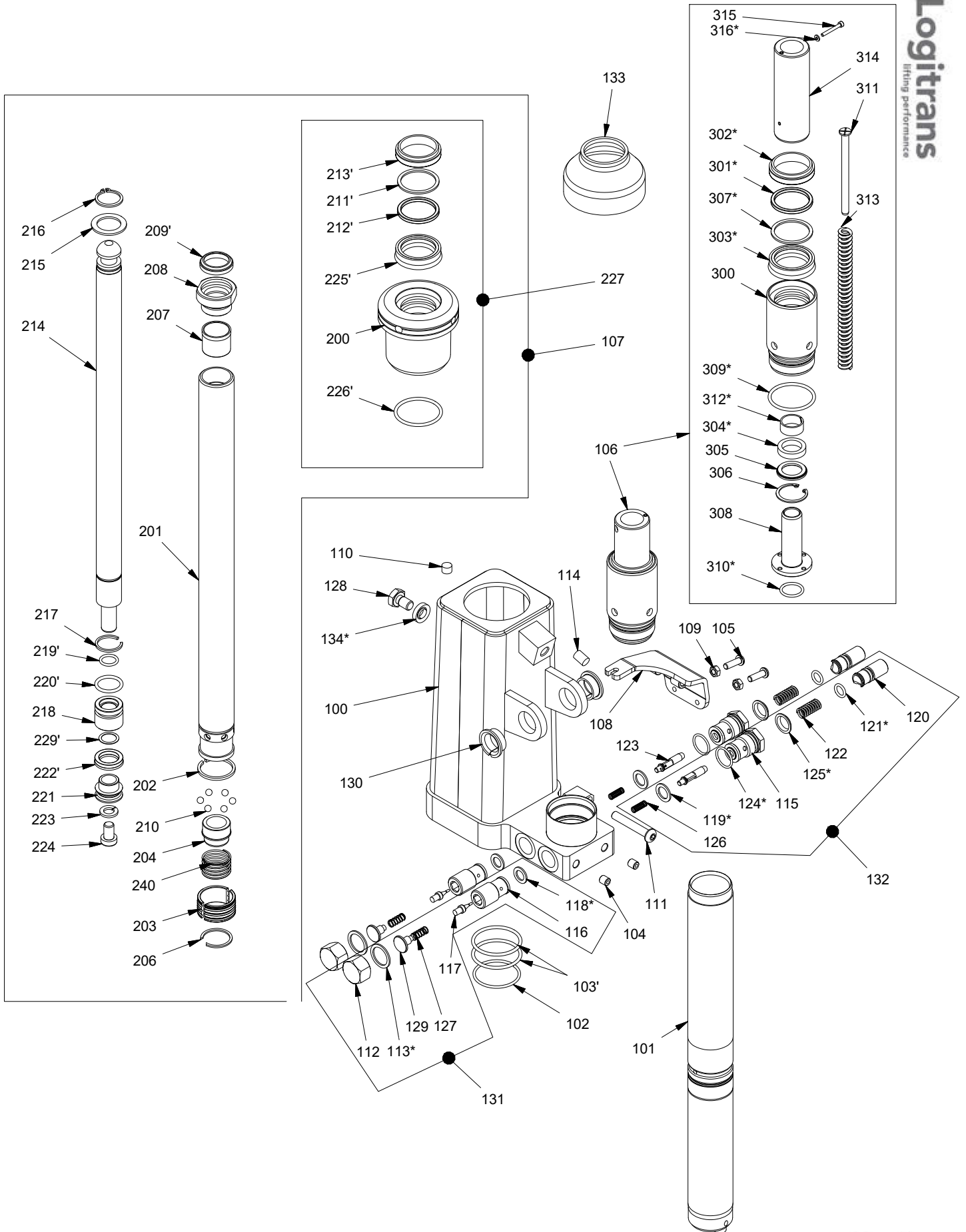
# HL 1006 Handle and pump



| Item | Part no. | Qty | Description                  | Note |
|------|----------|-----|------------------------------|------|
| 500  | 425513   | 1   | Handle, long, cpl. HL1006    |      |
| 501  | 991181   | 1   | Release label                |      |
| 502  | 991155   | 1   | Handle cardboard             |      |
| 503  | 899106   | 1   | Plastic pocket f/handle      |      |
| 504  | 991192   | 1   | Handle label                 |      |
| 505  | 404461   | 1   | Top for handle               |      |
| 506  | 425511   | 1   | Release rod f/handle HL1006  |      |
| 507  | 425512   | 1   | Pin                          |      |
| 508  | 425515   | 1   | Release lever HL1006         |      |
| 509  | 415311   | 1   | Bushing for release handle   |      |
| 510  | 912641   | 1   | Ch Screw M6X40 Din 7984      |      |
| 511  | 921050   | 2   | Lock nut                     |      |
| 512  | 420258   | 1   | Release fittings             |      |
| 513  | 958550   | 1   | Torsion spring               |      |
| 514  | 912530   | 1   | Ch Screw M5X30 Din 912       |      |
| 515  | 931280   | 1   | Straight Pin Ø12x80 Iso 8752 |      |
| 516  | 415083   | 1   | Roll f/handle                |      |
| 517  | 951006   | 1   | Chain 081 1/2x1/8" DIN 8187  |      |
| 518  | 415206   | 1   | Handle axle                  |      |
| 519  | 916120   | 1   | Hex Screw flan M10x20        |      |
| 520  | 951001   | 1   | Chain connector 1/2x1/8"     |      |
| 521  | 404480   | 1   | Eyescrew                     |      |
| 522  | 922050   | 1   | Nut                          |      |
| 523  | 921060   | 1   | Lock nut                     |      |
| 524  | 170490   | 1   | Release lever cpl. HL1006    |      |

| Item | Part no. | Qty | Description                  | Note   |
|------|----------|-----|------------------------------|--|
| 34   | 170669-1 | 1   | Pump cpl. 700 with handle    | !! Ball socket 425401 and Spring ring 935227 incl. Pump cpl. |
|      | 170669-2 |     | Pump cpl. 900 with handle    |  |
|      | 170669-3 |     | Pump cpl 1200 with handle    |  |
| 600  | 170668-3 | 1   | Pump cpl 1200 without handle |  |
| 601  | 425513   | 1   | Handle, long, cpl. HL1006    |  |
| 602  | 415206   | 1   | Handle axle                  |  |
| 603  | 916120   | 1   | Hex Screw flan M10x20        |  |

# HL 1006 Pump





# HL 1006 Pump

| Item             | Part no. | Qty | Description                    | Note |
|------------------|----------|-----|--------------------------------|------|
| 100              | 425500   | 1   | Pump welded HL1006 RAL9005     |      |
| 101              | 400678   | 1   | Bottom cylinder                |      |
| 102              | 935450   | 1   | Spring ring                    |      |
| 103 <sup>1</sup> | 900440   | 2   | O-ring                         |      |
| 104              | 990041   | 2   | Closing plug                   |      |
| 105              | 919620   | 2   | Screw                          |      |
| 106              | 170041   | 1   | Pump cylinder cpl.             |      |
| 107              | 170056   | 1   | Telescopic cylinder with top   |      |
| 108              | 425509   | 1   | Release arm f/HL pump          |      |
| 109              | 922060   | 2   | Nut                            |      |
| 110              | 990010   | 1   | Magnet                         |      |
| 111              | 919850   | 1   | Screw                          |      |
| 112              | 415380   | 2   | Valve cap nut                  |      |
| 113 <sup>*</sup> | 905205   | 2   | Copper washer                  |      |
| 114              | 425516   | 1   | Damper f/handle HL1006         |      |
| 115              | 404444C  | 2   | Valve house safe.valve HL 1006 |      |
| 116              | 404445   | 2   | Valve housing f/release cone   |      |
| 117              | 415016   | 2   | Release cone                   |      |
| 118 <sup>*</sup> | 415395   | 2   | Copper washer                  |      |
| 119 <sup>*</sup> | 415394   | 2   | Copper washer                  |      |
| 120              | 415011   | 2   | Release indicator              |      |
| 121 <sup>*</sup> | 900102   | 2   | O-ring                         |      |
| 122              | 958130   | 2   | Spring                         |      |
| 123              | 170660   | 2   | Safety valve                   |      |
| 124 <sup>*</sup> | 900192   | 2   | O-ring                         |      |
| 125 <sup>*</sup> | 908150   | 2   | Scraper ring                   |      |
| 126              | 958058   | 2   | Spring                         |      |
| 127              | 958072   | 2   | Spring                         |      |
| 128              | 400658   | 1   | Screw                          |      |
| 129              | 415385   | 2   | Guide for spring               |      |
| 130              | 404062   | 2   | Bushing                        |      |
| 131              | 170491   | 2   | Release valve insert cpl.      |      |
| 132              | 170492   | 2   | Valve safe insert cpl. HL1006  |      |
| 133              | 425411   | 1   | Rubber sleeve                  |      |
| 134 <sup>*</sup> | 905101   | 1   | Plug gasket                    |      |

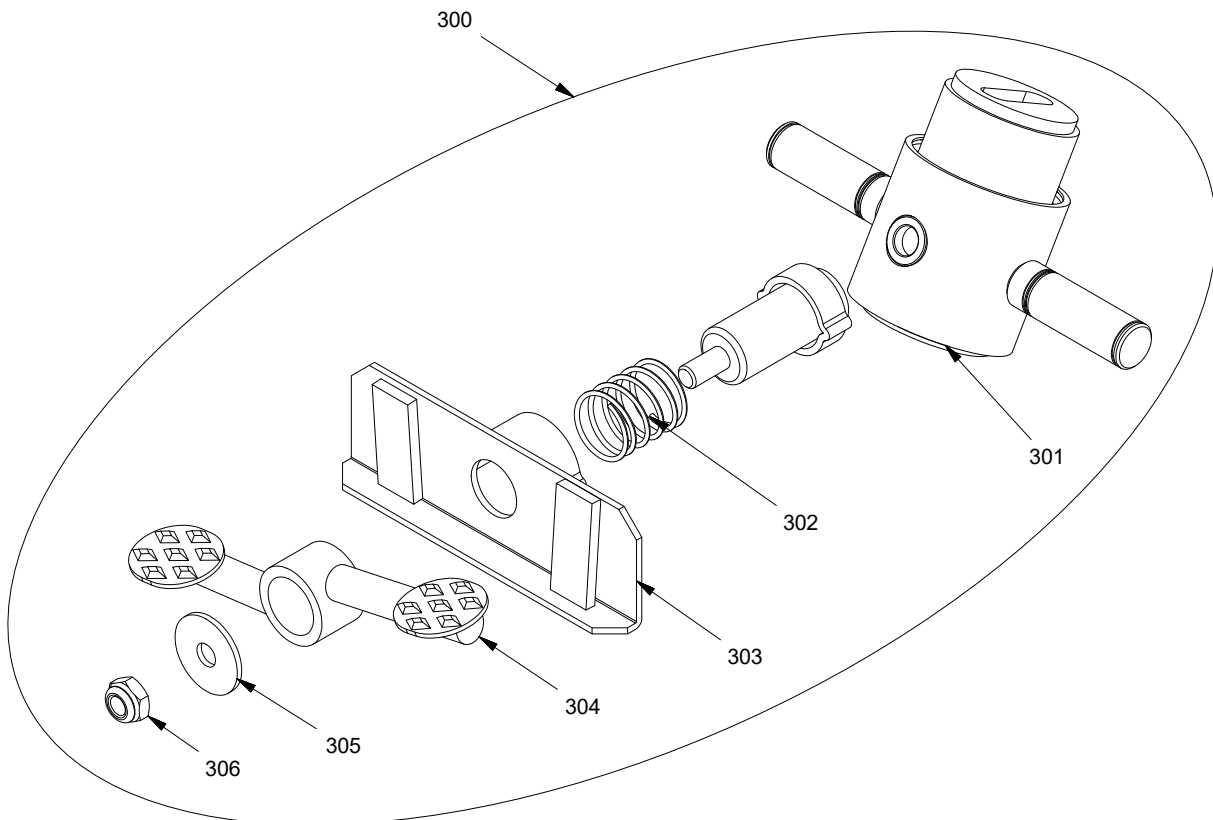
# HL 1006 Pump



| Item | Part no. | Qty | Description                | Note |
|------|----------|-----|----------------------------|------|
| 200  | 403959E  | 1   | Top section f/HL           |      |
| 201  | 403961   | 1   | Lifting cylinder           |      |
| 202  | 425421   | 1   | Locking ring               |      |
| 203  | 403963   | 1   | Use 403963R                |      |
| 204  | 400910   | 1   | Ball stop f/HL             |      |
| 206  | 935460   | 1   | Locking ring               |      |
| 207  | 400897   | 1   | Bronze bushing             |      |
| 208  | 403955   | 1   | Bronze guide               |      |
| 209' | 901205   | 1   | Sleeve                     |      |
| 210  | 941006   | 6   | Ball Ø6,5 G28              |      |
| 211' | 900352   | 1   | Backup ring                |      |
| 212' | 900351   | 1   | Quad ring                  |      |
| 213' | 908350   | 1   | Scraper ring               |      |
| 214  | 425402   | 1   | Pistonrod 1200             |      |
| 215  | 425415   | 1   | Washer                     |      |
| 216  | 933242   | 1   | Locking ring               |      |
| 217  | 935227   | 1   | Spring ring                |      |
| 218  | 403957   | 1   | Piston                     |      |
| 219' | 900140   | 1   | O-ring                     |      |
| 220' | 900220   | 1   | O-ring                     |      |
| 221  | 403958   | 1   | Piston f/ball              |      |
| 222' | 901204   | 1   | Sleeve                     |      |
| 223  | 925101   | 1   | Spring washer              |      |
| 224  | 919116   | 1   | Screw                      |      |
| 225' | 901350-1 | 1   | U-sleeve                   |      |
| 226' | 900420   | 1   | O-ring                     |      |
| 227  | 170466   | 1   | Top section, cpl.          |      |
| 229' | 905150   | 1   | Copper washer              |      |
| 240  | 958028   | 1   | Spring D1,50 Du:28,7 Lo:18 |      |

| Item | Part no. | Qty | Description                | Note                     |
|------|----------|-----|----------------------------|--------------------------|
| 300  | 400659   | 1   | Pump cylinder              |                          |
| 301* | 900351   | 1   | Quad ring                  |                          |
| 302* | 908350   | 1   | Scraper ring               |                          |
| 303* | 901350-1 | 1   | U-sleeve                   |                          |
| 304* | 901203   | 1   | U-sleeve                   |                          |
| 305  | 400667   | 1   | Sleeve washer              |                          |
| 306  | 934300   | 1   | Locking ring               |                          |
| 307* | 900352   | 1   | Backup ring                |                          |
| 308  | 400657   | 1   | High pressure piston       |                          |
| 309* | 900410   | 1   | O-ring                     |                          |
| 310* | 900190   | 1   | O-ring                     |                          |
| 311  | 400679   | 1   | Spring guide               |                          |
| 312* | 400676   | 1   | Guide ring                 |                          |
| 313  | 958141   | 1   | Spring D3,0 Du:14,0 Lo:170 |                          |
| 314  | 400655R  | 1   | Pump piston cpl.           |                          |
| 315  | 912325   | 1   | Screw                      |                          |
| 316* | 905030   | 1   | Gasket ring                |                          |
|      | 170058   | 1   | Cpl. set of gaskets HL/EHL | All parts marked ' incl. |
|      | 170059   | 1   | Cpl. set of gaskets HL     | All parts marked * incl. |

# HL 1006 Parking brake



| Item | Part no. | Qty | Description               | Note |
|------|----------|-----|---------------------------|------|
| 300  | 170442   | 1   | Parking brake HL 1005 540 |      |
| 301  | 300728   | 1   | Wheel holder f/brake      |      |
| 302  | 958260   | 1   | Compression spring        |      |
| 303  | 400780   | 1   | Brake plate HL            |      |
| 304  | 400782   | 1   | Brake pedal HL            |      |
| 305  | 924100   | 1   | Washer                    |      |
| 306  | 921100   | 1   | Lock nut                  |      |