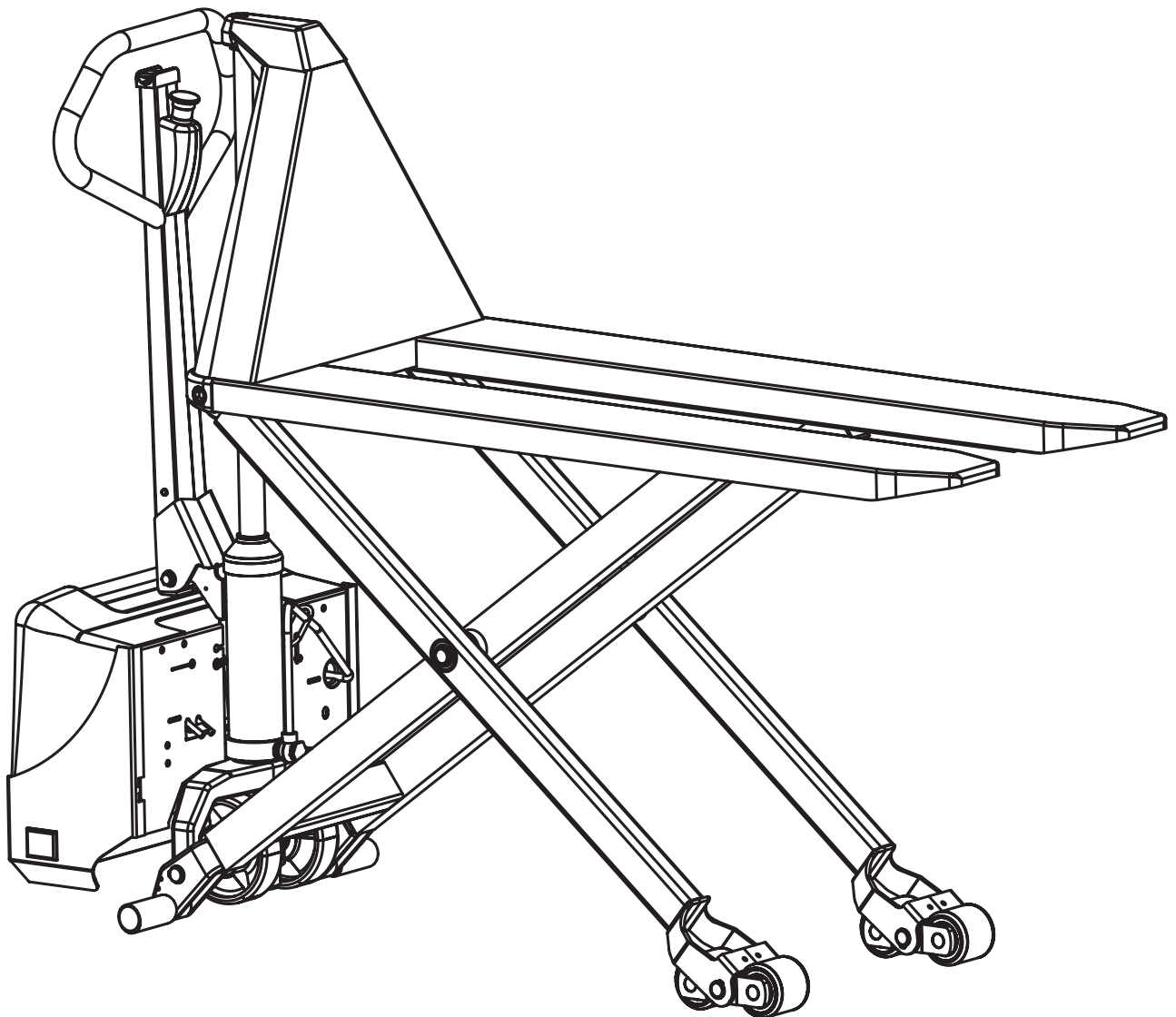


Spare parts

EHL 1004

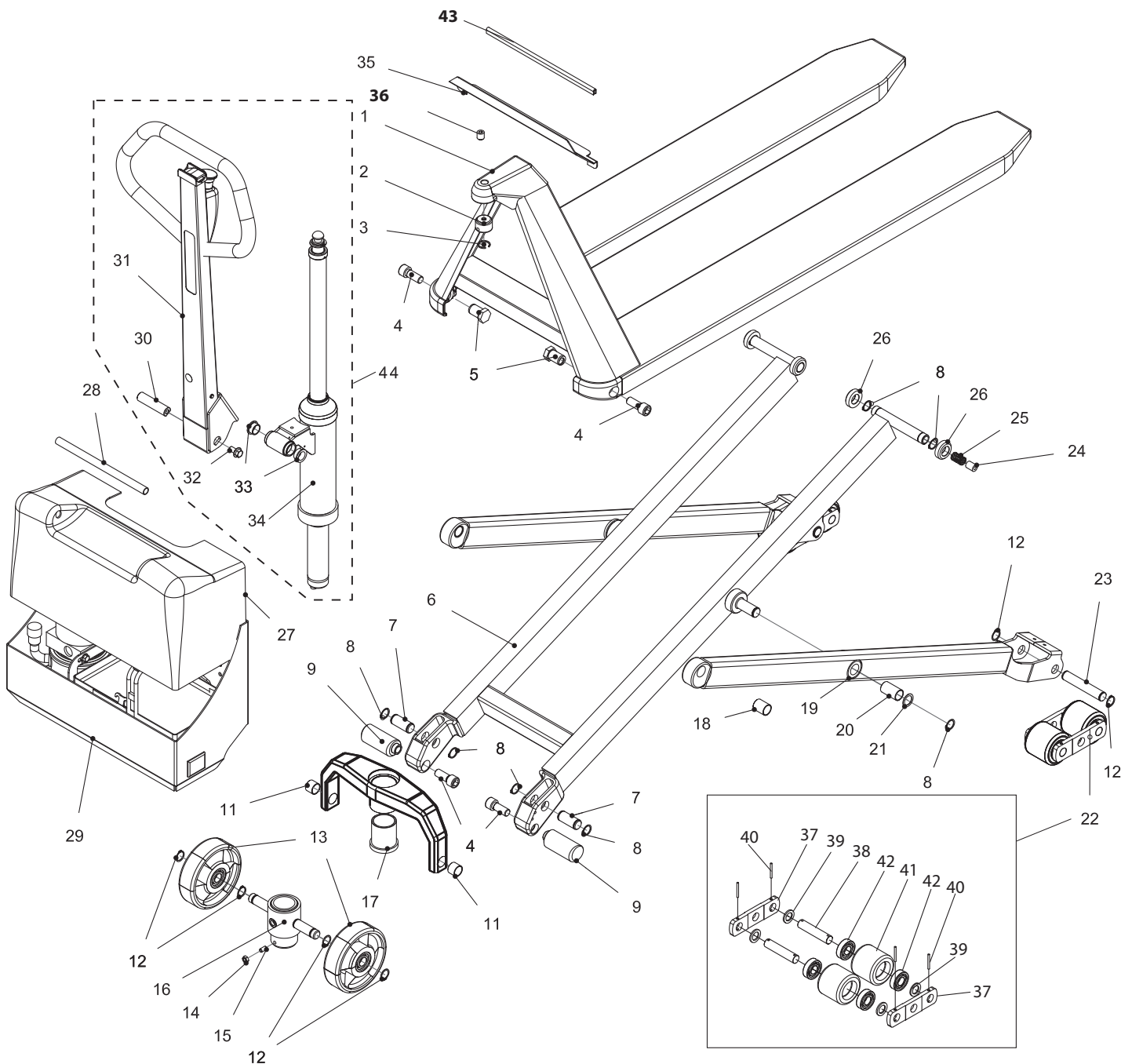


LOGITRANS

Contents

- EHL 1004 Chassis**
- EHL 1004 Cylinder**
- EHL 1004 Pump Chassis**
- EHL 1004 Relay**
- EHL 1004 Pump**
- EHL 1004 Handle**
- EHL 1004 Parking brake**

EHL 1004 Chassis



DK Ved bestilling af dele, hvor „Part no.“ er gråt, skal en af følgende farvekoder angives:

GB By ordering spare parts with „Part no.“ being grey, please state one of the following colour codes:

D Bei der Bestellung von Ersatzteilen mit grauem „Part. no.“, bitte die Farbe durch folgende Codes angeben:

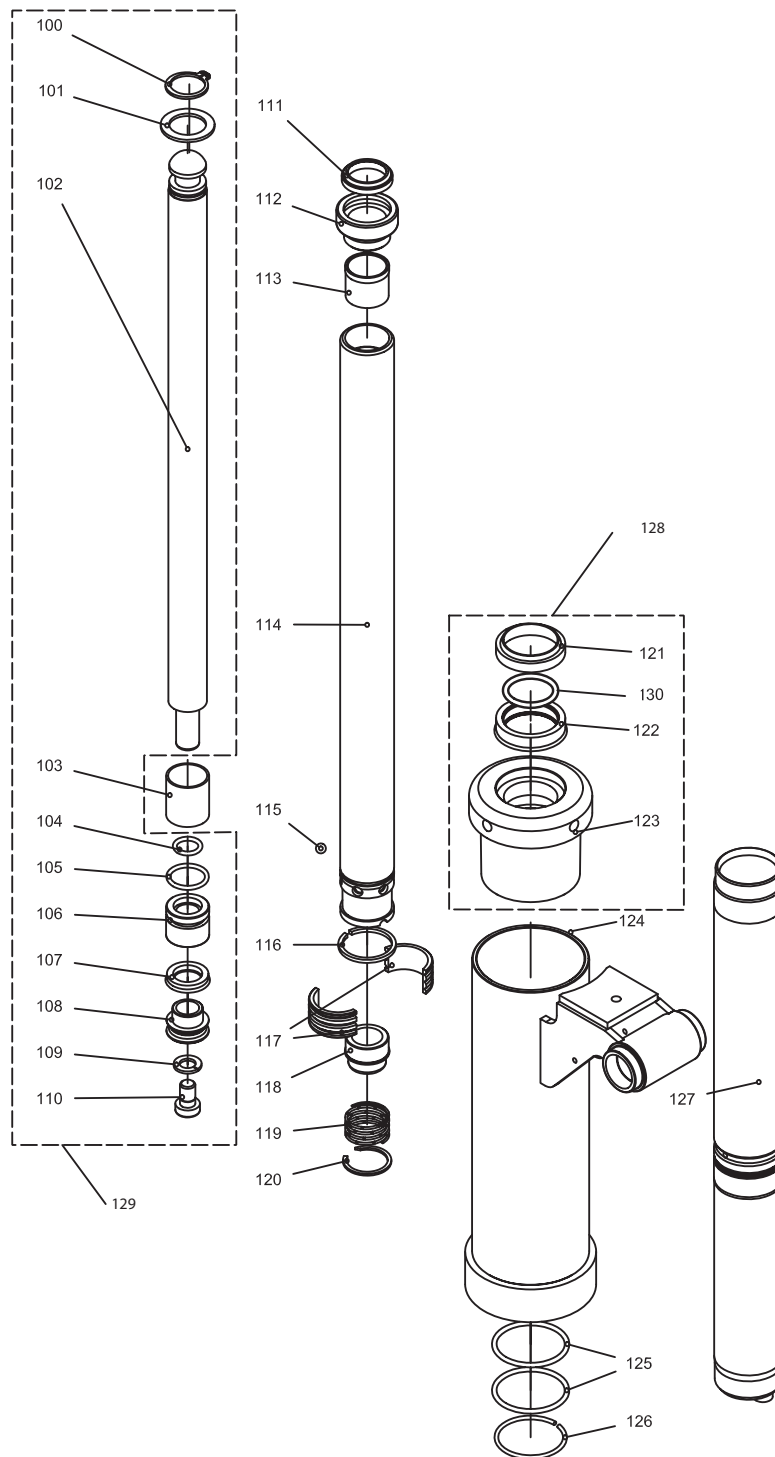
- 1: RAL 2002 (Logitrans rød/red/rot)
- 2: RAL 1028 (gul/yellow/gelb)
- 3: Anden RAL-farve/an other RAL colour/eine andere RAL-Farbe
- 6: Sort/black/schwarz

Ex. 425050-1 => 425050-1-1

| Spare Parts List | | EHL | Chassis | 17-11-05 1/2 | |
|------------------|--------------------|-------------------------------|--------------------------------|-------------------------------|------|
| Pos. | Part no. | Benævnelse | Description | Benennung | Pcs. |
| 1 | 425050-1 | Chassis 480x700 | Chassis 480x700 | Chassis 480x700 | 1 |
| | 425050-2 | Chassis 480x900 | Chassis 480x900 | Chassis 480x900 | |
| | 425050-3 | Chassis 480x1200 | Chassis 480x1200 | Chassis 480x1200 | |
| | 425050-4 | Chassis 480x1520 | Chassis 480x1520 | Chassis 480x1520 | |
| | 425052-1 | Chassis 540x700 | Chassis 540x700 | Chassis 540x700 | |
| | 425052-2 | Chassis 540x900 | Chassis 540x900 | Chassis 540x900 | |
| | 425052-3 | Chassis 540x1200 | Chassis 540x1200 | Chassis 540x1200 | |
| | 425052-4 | Chassis 540x1520 | Chassis 540x1520 | Chassis 540x1520 | |
| | 425052-5 | Chassis 540x2000 | Chassis 540x2000 | Chassis 540x2000 | |
| | 425053-1 | Chassis 680x700 | Chassis 680x700 | Chassis 680x700 | |
| | 425053-2 | Chassis 680x900 | Chassis 680x900 | Chassis 680x900 | |
| | 425053-3 | Chassis 680x1200 | Chassis 680x1200 | Chassis 680x1200 | |
| | 425053-4 | Chassis 680x1520 | Chassis 680x1520 | Chassis 680x1520 | |
| | 425053-5 | Chassis 680x2000 | Chassis 680x2000 | Chassis 680x2000 | |
| | 2 | 425401 | Kuglesæde | Ball socket | |
| 3 | 935227 | Springring | Spring ring | Springring | 1 |
| 4 | 919640 | Skrue | Screw | Schraube | 4 |
| 5 | 425400 | Excentrisk møtrik | Eccentric nut | Excentrische Mutter | 2 |
| | 425431 | Excentrisk møtrik "1520" | Eccentric nut "1520" | Excentrische Mutter "1520" | |
| 6 | 425100-1 | Dobb. ben 480x700 | Double leg 480x700 | Doppelbein 480x700 | 1 |
| | 425100-2 | Dobb. ben 480x900 | Double leg 480x900 | Doppelbein 480x900 | |
| | 425100-3 | Dobb. ben 480x1200 | Double leg 480x1200 | Doppelbein 480x1200 | |
| | 425100-4 | Dobb. ben 480x1520 | Double leg 480x1520 | Doppelbein 480x1520 | |
| | 425102-1 | Dobb. ben 540x700 | Double leg 540x700 | Doppelbein 540x700 | |
| | 425102-2 | Dobb. ben 540x900 | Double leg 540x900 | Doppelbein 540x900 | |
| | 425102-3 | Dobb. ben 540x1200 | Double leg 540x1200 | Doppelbein 540x1200 | |
| | 425102-4 | Dobb. ben 540x1520 | Double leg 540x1520 | Doppelbein 540x1520 | |
| | 425102-5 | Dobb. ben 540x2000 | Double leg 540x2000 | Doppelbein 540x2000 | |
| | 425103-1 | Dobb. ben 680x700 | Double leg 680x700 | Doppelbein 680x700 | |
| 425103-2 | Dobb. ben 680x900 | Double leg 680x900 | Doppelbein 680x900 | | |
| 425103-3 | Dobb. ben 680x1200 | Double leg 680x1200 | Doppelleg 680x1200 | | |
| 425103-4 | Dobb. ben 680x1520 | Double leg 680x1520 | Doppelbein 680x1520 | | |
| 425103-5 | Dobb. ben 680x2000 | Double leg 680x2000 | Doppelbein 680x2000 | | |
| 7 | 400754 | Aksel | Axle | Achse | 2 |
| 8 | 933220 | Låsering | Locking ring | Schliessring | 10 |
| 9 | 425403 | Støtterulle | Support leg | Stütze | 2 |
| | 425404 | Støtterulle "1520" | Support legs "1520" | Stütze "1520" | |
| 11 | 401061 | Nylonbøsning | Nylon bushing | Nylonbuchse | 2 |
| 12 | 933200 | Låsering | Locking ring | Schliessring | 8 |
| 13 | 400713 | Styrehjul nylonhjul Ø150 | Steering wheel, nylon Ø150 | Lenkräder Nylon Ø150 | 2 |
| | 400713L | Styrehjul nylon Ø150 | Steering wheel nylon Ø150 | Lenkrad Nylon Ø150 | |
| | 401096 | Styrehjul stål Ø150x38 | Steering wheel, steel, Ø150x38 | Lenkrad Stahl Ø150x38 | |
| | 401578L | Styrehjul polyurethan m/lejer | Steering wheel poly. w/bearing | Lenkrolle Polyurethan m/Lager | |
| | 400757L | Styrehjul vulkollan Ø150 | Steering wheel, vulk. Ø150 | Lenkrad, Vulkollan Ø150 | |
| | 400783 | Styrehjul/480 nylon Ø150 | Steering wheel/480, nyl., Ø150 | Lenkrad/480, Nylon Ø150 | |
| | 400760L | Styrehjul/480 vulkollan Ø150 | Steering wheel/480 vulk. Ø150 | Lenkrad/480, Vulk. Ø150 | |
| | 403806 | Styrehjul 480 poly | Steering wheel 480 poly | Lenkrad 480 Poly | |
| | 401885 | Styrehjul/480 stål Ø150x35 | Steer. wheel/480 steel Ø150x35 | Lenkrad/480, Stahl Ø150x35 | |
| 14 | 922080 | Møtrik | Nut | Mutter | 1 |
| 15 | 910816 | Pinolskrue | Pointed screw | Reitstockschrabe | 1 |
| 16 | 401608 | Hjulholder kpl. | Wheel holder cpl. | Radhalter Kpl. | 1 |
| 17 | 401603 | Bøsning | Bushing | Buchse | 1 |
| 18 | 401062 | Bøsning | Bushing | Buchse | 2 |

| Spare Parts List | | EHL | Chassis | 17-11-04 | 2/2 |
|------------------|----------------------------|--------------------------------|--------------------------------|--------------------------------|------|
| Pos. | Part no. | Benævnelse | Description | Benennung | Pcs. |
| 19 | 425109-1 | Enkelt ben kpl. 700 | Single leg cpl. 700 | Einzelbein kpl. 700 | 2 |
| | 425109-2 | Enkelt ben kpl. 900 | Single leg cpl. 900 | Einzelbein, kpl. 900 | |
| | 425109-3 | Enkelt ben kpl. 1200 | Single leg cpl. 1200 | Einzelbein Kpl. 1200 | |
| | 425109-4 | Enkelt ben kpl. 1520 | Single leg cpl. 1520 | Einzelbein, Kpl. 1520 | |
| | 425109-5 | Enkelt ben kpl. 2000 | Single leg cpl. 2000 | Einzelbein Kpl. 2000 | |
| 20 | 425409 | Bøsning | Bushing | Buchse | 2 |
| 21 | 926221 | Skive | Washer | Scheibe | 2 |
| 22 | 404007 | Tandem kpl. Ø75 nylon | Tandem cpl. Ø75 nylon | Tandem Kpl. Ø75 Nylon | 2 |
| | 404008 | Tandem kpl. Ø75, polyurethan | Tandem cpl. Ø75, polyurethan | Tandem Kpl. Ø75, Polyurethan | |
| | 404009 | Tandem kpl. Ø75, vulkollan | Tandem cpl. Ø75, vulkollan | Tandem Kpl. Ø75, Vulkollan | |
| | 404010 | Tandem kpl. Ø75, stål | Tandem cpl. Ø75, steel | Tandem Kpl. Ø75, Stahl | |
| 23 | 425406 | Hjulaksel | Wheel axle | Radachse | 2 |
| 24 | 402489 | Støtteklods | Support stud | Stützteil | 2 |
| 25 | 958206 | Trykfjeder | Spring | Druckfeder | 2 |
| 26 | 425407 | Gaffelrulle | Fork roller | Gabelrolle | 4 |
| 27 | 425211 | Batteriskærm | Battery cover | Batterieabschirmung | 1 |
| | 425211G | Batteriskærm grå | Battery cover grey | Batterieabschirmung Grau | |
| 28 | 425209 | Plastrør f/batterikasse | Plastic pipe f/battery box | Kunststoffrohr Batteriekasten | 1 |
| 29 | 170452-1 | Pumpechassis kpl. 480x700 | Pump chassis 480x700 | Pumpenchassis kpl. 480x700 | 1 |
| | 170452-2 | Pumpechassis kpl. 480x900 | Pump chassis cpl. 480x900 | Pumpenchassis Kpl. 480x900 | |
| | 170452-3 | Pumpechassis Kpl. 480x1200 | Pump chassis cpl. 480x1200 | Pumpenchassis Kpl. 480x1200 | |
| | 170453-1 | Pumpechassis kpl. 540x700 | Pump chassis cpl. 540x700 | Pumpenchassis Kpl. 540x700 | |
| | 170453-2 | Pumpechassis kpl. 540x900 | Pump chassis cpl. 540x900 | Pumpenchassis Kpl. 540x900 | |
| | 170453-3 | Pumpechassis kpl. 540x1200 | Pump chassis cpl. 540x1200 | Pumpenchassis Kpl. 540x1200 | |
| | 170454-1 | Pumpechassis kpl. 680x700 | Pump chassis cpl. 680x700 | Pumpenchassis Kpl. 680x700 | |
| 170454-2 | Pumpechassis kpl. 680x900 | Pump chassis cpl. 680x900 | Pumpenchassis Kpl. 680x900 | | |
| 170454-3 | Pumpechassis kpl. 680x1200 | Pump chassis cpl. 680x1200 | Pumpenchassis Kpl. 680x1200 | | |
| 30 | 420149 | Håndtagsaksel | Handle axle | Deichselachse | 1 |
| 31 | 420039 | Håndtag kpl. | Handle cpl. | Deichsel kpl. | 1 |
| 32 | 916820 | Skruer | Screw | Schraube | 1 |
| 33 | 400276 | Bøsning | Bushing | Buchse | 2 |
| 34 | 170451-1 | Cylinder kpl. 700 | Cylinder cpl. 700 | Zylinder Kpl. 700 | 1 |
| | 170451-2 | Cylinder kpl. 900 | Cylinder cpl. 900 | Zylinder Kpl. 900 | |
| | 170451-3 | Cylinder kpl. 1200 | Cylinder cpl. 1200 | Zylinder Kpl. 1200 | |
| 35 | 425212 | Bakke f/trekant 540 | Tray f/triangle 540 | Schale f/Dreieck 540 | 1 |
| | 425213 | Bakke f/trekant 480 | Tray f/triangle 480 | Schale f/Dreieck 480 | |
| | 425214 | Bakke f/trekant 680 | Tray f/triangle 680 | Schale f/Dreieck 680 | |
| 36 | 910616 | Pinolskrue | Pointed screw | Reitstockschrube | 1 |
| 37 | 400132 | Tandembeslag | Tandem fittings | Tandem Wippe | 4 |
| 38 | 400162 | Tandemaksel | Tandem axle | Achse für Tandem | 4 |
| 39 | 400159 | Afstandsør | Spacer pipe | Abstandrohr | 8 |
| 40 | 931440 | Rørstift | Tubular pin | Rohrstift | 8 |
| 41 | 404003 | Tandem Ø75x68 Nyl. sort | Tandem Ø75x68 Nyl. black | Tandem Ø75x68 Nyl. schwa. | 4 |
| | 404004 | Tandem Ø75x68 Polyurethan | Tandem Ø75x68 Polyurethan | Tandem Ø75x68 Polyurethan | |
| | 404005 | Tandem Ø75x62 Vulkollan | Tandem Ø75x62 Vulkollan | Tandem Ø75x62 Vulkollan | |
| | 404006 | Tandem Ø75x68 stål | Tandem Ø75x68 steel | Tandem Ø75x68 Stahl | |
| | 404003L | Tandemhjul Ø75 Nylon sort m/l | Tandem wheels Ø75 Nylon b. m/b | Tandem Ø75 Nylon schwarz m/L | |
| | 404004L | Tandem Ø75 Poly. m/lejer | Tandem Ø75 poly with bearing | Tandem Ø75 Poly. m/Lager | |
| 404005L | Tandem Ø75 Vulk. m/lejer | Tandem Ø75 vulk with bearing | Tandem Ø75 Vulk. m/Lager | | |
| 404006L | Tandem Ø75 stål m/lejer | Tandem Ø75 steel with bearing | Tandem Ø75 Stahl m/Lager | | |
| 42 | 946243 | Kugleleje | Ball bearing | Kugellager | 8 |
| 43 | 889115 | U-Gummiprofil | Rubber profile | Gummiprofil | |
| 44 | 170457-1 | Cylinder kpl. 700 m/håndtag | Cylinder cpl. 700 with handle | Zylinder Kpl. 700 mit Deichsel | 1 |
| | 170457-2 | Cylinder kpl. 900 med håndtag | Cylinder cpl. 900 with handle | Zylinder Kpl. 900 mit Deichsel | |
| | 170457-3 | Cylinder kpl. 1200 m/håndtag | Cylinder cpl. 1200 with handle | Zylinder Kpl. 1200 m/Deichsel | |
| | 170459 | Ombytningscylinder med håndtag | Exchange cylinder with handle | Umtauschzylinder mit Deichsel | 1 |
| | 170460 | Ombytningscyl. uden håndtag | Exchange cyl. without handle | Umtauschzylinder ohne Deichsel | 1 |

EHL 1004 Cylinder



DK Ved bestilling af dele, hvor „Part no.“ er gråt, skal en af følgende farvekoder angives:

GB By ordering spare parts with „Part no.“ being grey, please state one of the following colour codes:

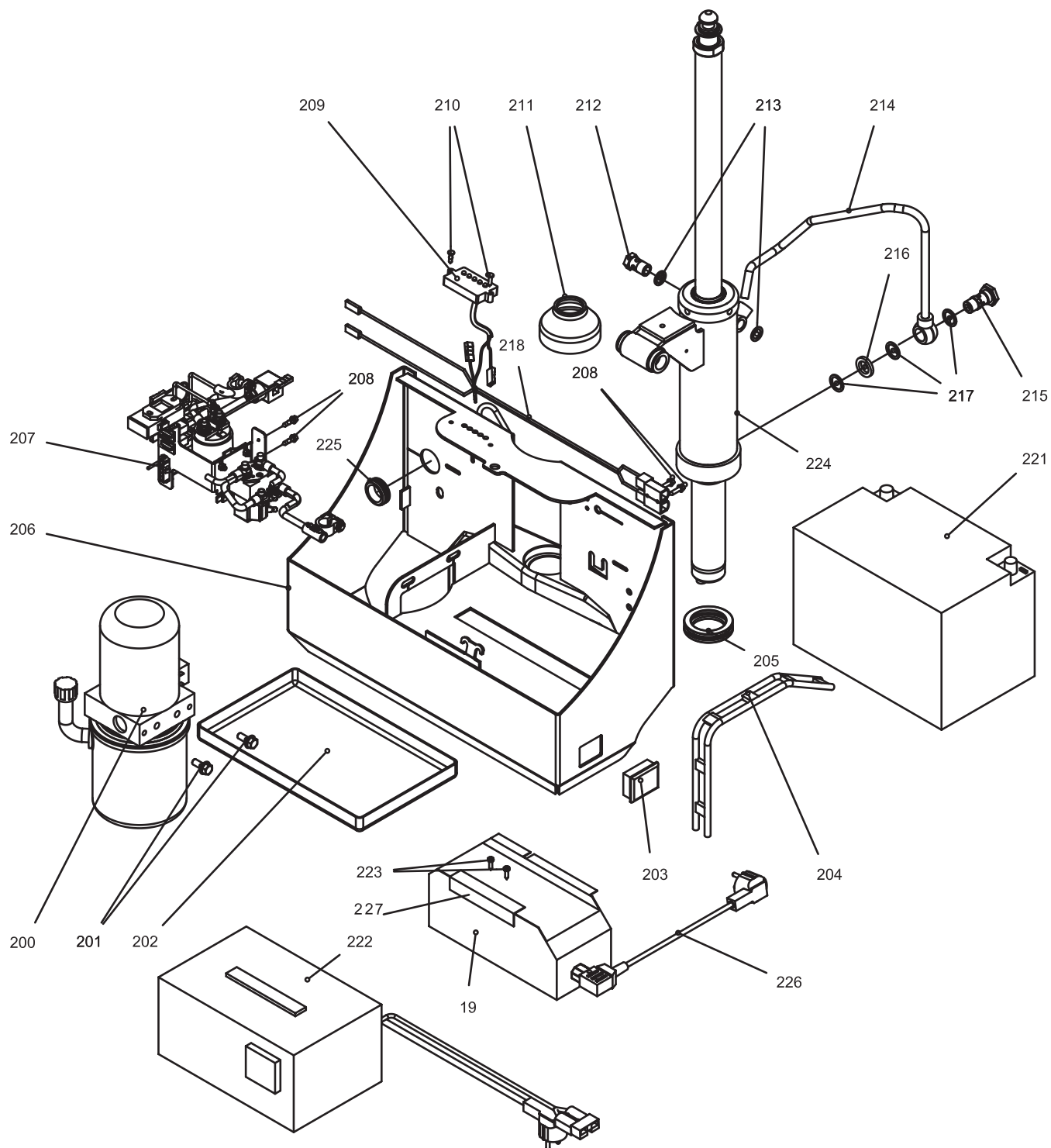
D Bei der Bestellung von Ersatzteilen mit grauem „Part. no.“, bitte die Farbe durch folgende Codes angeben:

- 1: RAL 2002 (Logitrans rød/red/rot)
- 2: RAL 1028 (gul/yellow/gelb)
- 3: Anden RAL-farve/an other RAL colour/eine andere RAL-Farbe
- 6: Sort/black/schwarz

Ex. 425050-1 => 425050-1-1

| Spare Parts List | | EHL | Cylinder | 17-11-04 | |
|------------------|----------|--|---|---|------|
| Pos. | Part no. | Benævnelse | Description | Benennung | Pcs. |
| 100 | 933242 | Låsering | Locking ring | Schliessring | 1 |
| 101 | 425415 | Skive | Washer | Scheibe | 1 |
| 102 | 425402 | Stempelstang | Pistonrod | Stempelstange | 1 |
| 103 | 403960 | Afstandsrør | Spacer pipe | Abstandrohr | 1 |
| | 425238 | Afstandsrør cyl. 900 | Spacer pipe, cyl. 900 | Abstandrohr, Zyl. 900 | |
| | 425239 | Afstandsrør cyl. 700 | Spacer pipe, cyl. 700 | Abstandrohr, Zyl. 700 | |
| 104 | 900140* | O-ring | O-ring | O-Ring | 1 |
| 105 | 900220* | O-ring | O-ring | O-Ring | 1 |
| 106 | 403957 | Stempel | Piston | Stempel | 1 |
| 107 | 901203* | U-manchet | U-sleeve | U-Manschette | 1 |
| 108 | 403958 | Stempel f/kugle | Piston f/ball | Stempel f/Kugel | 1 |
| 109 | 925101 | Fjederskive | Spring washer | Federscheibe | 1 |
| 110 | 919116 | Skrue | Screw | Schraube | 1 |
| 111 | 901205 | Manchet | Sleeve | Manschette | 1 |
| 112 | 403955 | Bronzeføring | Bronze guide | Bronzeführung | 1 |
| 113 | 400897 | Bronzebøsning | Bronze bushing | Bronzebuchse | 1 |
| 114 | 403961 | Løftecylinder | Lifting cylinder | Hubzylinder | 1 |
| 115 | 941006 | Kugle | Ball | Kugel | 6 |
| 116 | 425421 | Sikringsring | Locking ring | Sicherungsring | 1 |
| 117 | 403963 | Bronzestempel | Bronze piston | Bronzestempel | 2 |
| 118 | 400910 | Kuglestop | Ball stop | Kugelstopp | 1 |
| 119 | 958028 | Trykfjeder | Spring | Druckfeder | 1 |
| 120 | 935460 | Sikringsring | Locking ring | Sicherungsring | 1 |
| 121 | 908350* | Skrabering | Scraper ring | Abstreifring | 1 |
| 122 | 901351* | U-Manchet | U-sleeve | U-Manschette | 1 |
| 123 | 403959-1 | Topstykke | Top section | Zylinderkopf | 1 |
| 124 | 425010 | Cylinderhus | Cylinder casing | Zylindergehäuse | 1 |
| 125 | 900440* | O-ring | O-ring | O-Ring | 2 |
| 126 | 935450 | Springring | Spring ring | Klemmring | 1 |
| 127 | 400678 | Bundcylinder | Bottom cylinder | Bodenzylinder | 1 |
| 128 | 170466 | Topstykke kpl. | Top section, cpl. | Zylinderkopf, Kpl. | 1 |
| 129 | 170465 | Stempelstang kpl. Husk også at bestille 1 stk. pos 103 | Piston rod, cpl. Please remember to ordre pos. no. 103 (1 unit) | Kolbenstange Kpl. Bitte auch pos-Nr. 103 bestellen (1 stück) | 1 |
| | 170458 | Pakningssæt f/cylinder Alle *-mærkede dele indgår i pakningssæt f/cylinder | Gaskets for cylinder All *-marked parts incl. in gaskets for cylinder | Dichtungssatz für Zylinder Alle *-gezeichneten Teile sind in Dichtungssatz für Zylinder enthalten | 1 |
| 130 | 900350 | O-ring | O-ring | O-Ring | 1 |

EHL 1004 Pump Chassis



DK Ved bestilling af dele, hvor „Part no.“ er gråt, skal en af følgende farvekoder angives:

GB By ordering spare parts with „Part no.“ being grey, please state one of the following colour codes:

D Bei der Bestellung von Ersatzteilen mit grauem „Part. no.“, bitte die Farbe durch folgende Codes angeben:

-1: RAL 2002 (Logitrans rød/red/rot)

-2: RAL 1028 (gul/yellow/gelb)

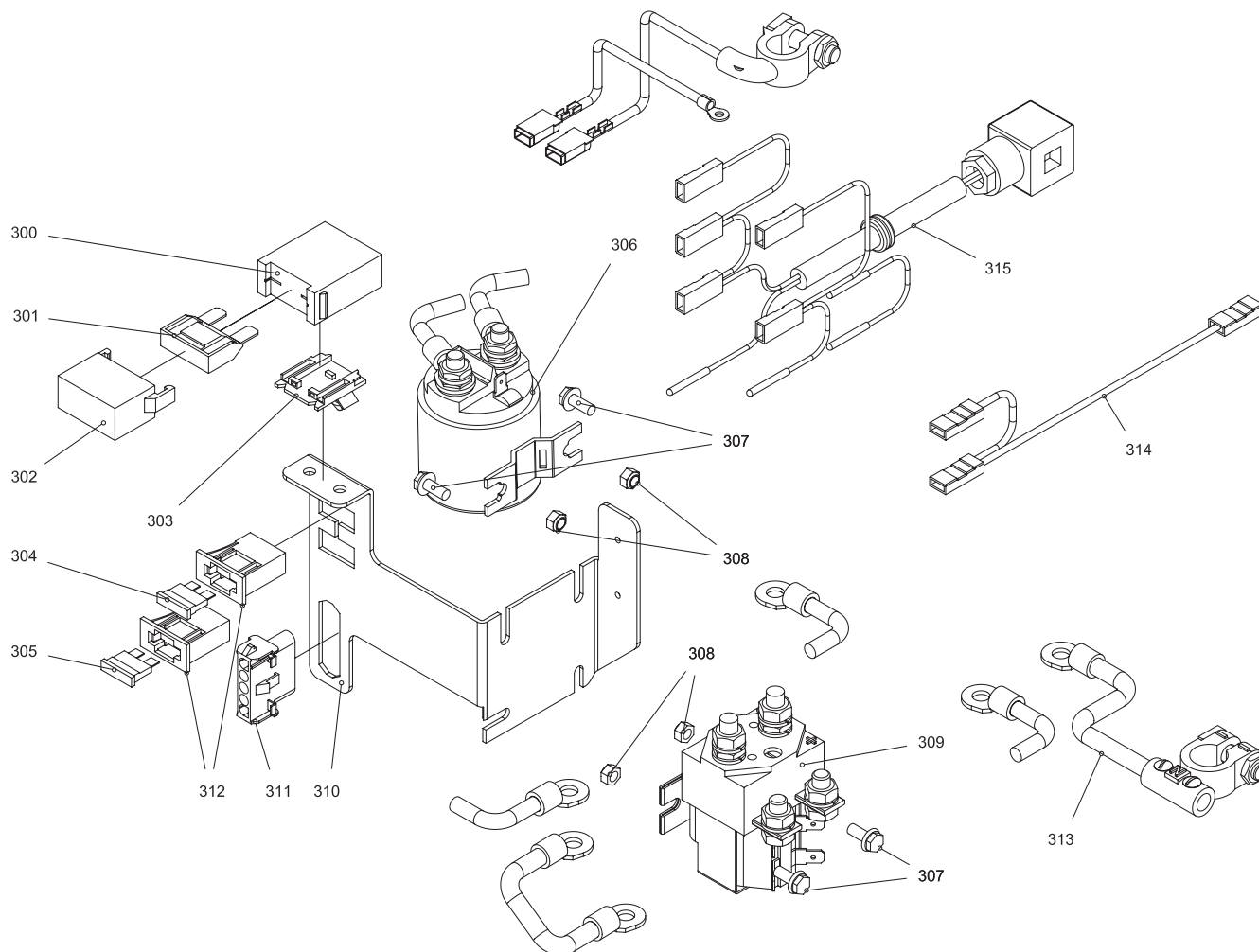
-3: Anden RAL-farve/an other RAL colour/eine andere RAL-Farbe

-6: Sort/black/schwarz

Ex. 425050-1 => 425050-1-1

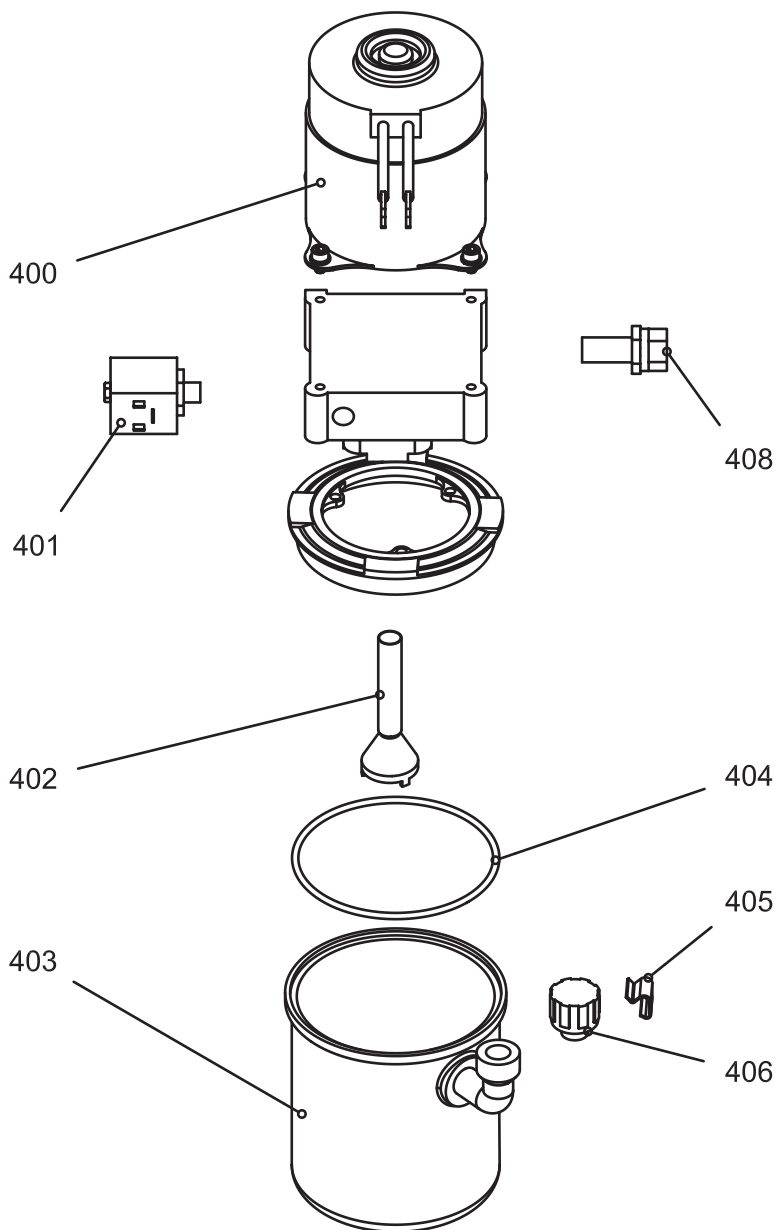
| Spare Parts List EHL | | | EL-hydraulic pump complete | | 17-11-04 |
|----------------------|----------|----------------------------|--------------------------------|--------------------------------|----------|
| Pos. | Part no. | Benævnelse | Description | Benennung | Pcs. |
| 200 | 984745 | Hydraulik pumpe 0.9 KW | Hydraulic pump HPI 0.9 KW | Hy-Pumpe HPI 0.9 KW | 1 |
| 201 | 916820 | Skrue | Screw | Schraube | 2 |
| 202 | 425210 | Batteribakke | Battery tray | Batterie-Schale | 1 |
| 203 | 993051 | Dupsko | Plastic cover | Plastikdeckel | 1 |
| 204 | 403124 | Gummistrop f/batteri | Rubber strap for battery | Gummihalteriemer f/Batterie | 1 |
| 205 | 945045 | Trykleje | Thrust bearing | Drucklager | 1 |
| 206 | 425000-1 | Pumpechassis 480 | Pump chassis 480 | Pumpenchassis 480 | 1 |
| | 425000-2 | Pumpechassis 540 | Pump chassis 540 | Pumpenchassis 540 | |
| | 425000-3 | Pumpechassis 680 | Pump chassis 680 | Pumpenchassis 680 | |
| 207 | 170455 | Relæmodul | Relays module | Relaismodul | 1 |
| 208 | 916422 | Skrue | Screw | Schraube | 4 |
| 209 | 140367 | Batterimonitor 12V | Battery monitor 12V | Batteriemonitor 12V | 1 |
| 210 | 916415 | Skrue | Screw | Schraube | 2 |
| 211 | 425411 | Gummi-manchet | Rubber sleeve | Gummi-Manschette | 1 |
| 212 | 971146 | Banjobolt | Banjo bolt | Banjobolzen | 1 |
| 213 | 905145 | Kobberskive | Copper washer | Kupferscheibe | 2 |
| 214 | 970926 | Hydraulik slange | Hydraulic hose | Hydraulischer Schlauch | 1 |
| 215 | 984842 | Flowventil eksternt | Flow valve extern | Flow-Ventil Extern | 1 |
| 216 | 425416 | Afstandsskive | Spacer washer | Abstandscheibe | 1 |
| 217 | 905180 | Kobberskive | Copper washer | Kupferscheibe | 3 |
| 218 | 140368 | Ladekabel | Charger cable | Ladekabel | 1 |
| 221 | 986034 | Semi-trak 12V 60Ah/5h syre | Semi-trak 12V60Ah/5h with acid | Trak-batt. 12V 60Ah/5h m/Säure | 1 |
| 219 | 986082 | Indbygget lader 12V 11A | Built-in charger 12V 11A | Externes Ladegerät 12V 11A | 1 |
| 222 | 986080 | Lader 12V 11A | Logitrans charger 12 Volt 11Ah | Ladegerät 12V 11A | 1 |
| 223 | 916414 | Skrue | Screw | Schraube | 2 |
| 224 | 170451-1 | Cylinder kpl. 700 | Cylinder cpl. 700 | Zylinder Kpl. 700 | 1 |
| | 170451-2 | Cylinder kpl. 900 | Cylinder cpl. 900 | Zylinder Kpl. 900 | |
| | 170451-3 | Cylinder kpl. 1200 | Cylinder cpl. 1200 | Zylinder Kpl. 1200 | |
| 225 | 980230 | Kabelgennemføring | Cable lead-in | Kabeldurchführung | 1 |
| 226 | 986083L | Netledning | Mains cable | Netzkabel | 1 |
| 227 | 420236 | Beslag | Bracket | Beschlag | 1 |

EHL 1004 Relay



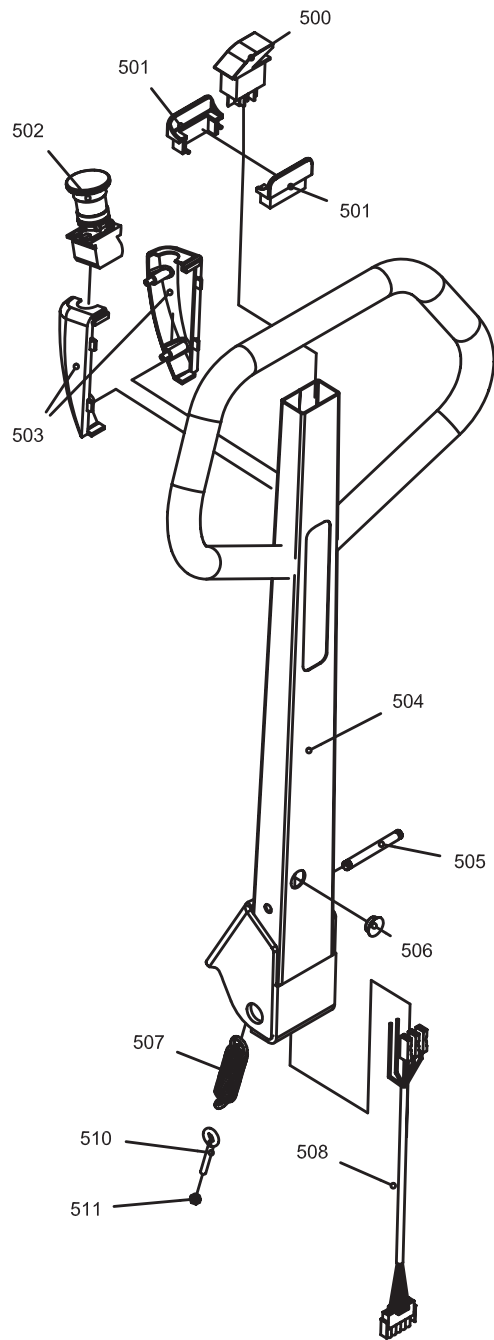
| Spare Parts List | | | EHL | | Relay and Fuses | | 05-05-04 | |
|------------------|----------|-------------------------------|---------------------------|-----------------------------|-----------------|--|----------|--|
| Pos. | Part no. | Benævnelse | Description | Benennung | Pcs. | | | |
| 300 | 982160-1 | Sikringsholder | Fuse holder | Sicherungshalter | 1 | | | |
| 301 | 982128 | Sikring Maxi Fuse 80 Amp | Fuse Maxi Fuse 80 Amp. | Sicherung Maxi Fuse 80 Amp. | 1 | | | |
| 302 | 982160-2 | Plastkappe til sikringsholder | Plastic cap f/fuse holder | Kappe f/ Sicherungshalter | 1 | | | |
| 303 | 982112-1 | Monteringsplade | Fitting plate | Montierplatte | 1 | | | |
| 304 | 982102 | Sikring 5 Amp | Fuse 5 Amp. | Sicherung 5 Amp | 1 | | | |
| 305 | 982123 | Sikring 30 Amp | Fuse 30 Amp | Sicherung 30 Amp | 1 | | | |
| 306 | 984805 | Startkontakt 12V | Starter switch 12V | Starterschalter 12V | 1 | | | |
| 307 | 913512 | Skrue | Screw | Schraube | 4 | | | |
| 308 | 921050 | Sikringsmøtrik | Lock nut | Gegenmutter | 4 | | | |
| 309 | 982097 | Pumperelæ 12V | Pump relay 12V | Pumpenrelais 12V | 1 | | | |
| 310 | 425208 | Relæplade | Relays plate | Relaisplatte | 1 | | | |
| 311 | 982090 | Multistik hun | Socket | Mehrfachstecker weiblich | 1 | | | |
| 312 | 982111 | Sikringsholder | Fuse holder | Sicherungshalter | 2 | | | |
| 313 | 140364 | Ledningssæt | Set of cables | Kabelsatz | 1 | | | |
| 314 | 140365 | Ledningssæt | Set of cables | Kabelsatz | 1 | | | |
| 315 | 140366 | Ledningssæt f/pumpe | Set of cables for pump | Kabelsatz f/Pumpe | 1 | | | |

EHL 1004 Pump



| Spare Parts List | | EHL | Pump | 17-11-04 | |
|------------------|----------|-------------------------------|-----------------------|----------------------------|------|
| Pos. | Part no. | Benævnelse | Description | Benennung | Pcs. |
| 400 | 984845 | Motor 12V | Motor 12V | Motor 12V | 1 |
| 401 | 984832 | Magnetventil kpl. | Magnetic valve cpl. | Magnetventil Kpl. | 1 |
| 402 | 984804 | Sugefilter | Suction strainer | Saugschlauchfilter | 1 |
| 403 | 984701 | Oliebeholder HPI 1.5L m/bøjn. | Oil tank HPI 1.5 l. | Ölbehälter HPI 1.5 L | 1 |
| 404 | 984704 | O-ring f. flange/tank | O-ring f. flange/tank | O-Ring f. Flansch/Behälter | 1 |
| 405 | 984705 | Clips til tank/flange | Clips for oil tank | Scheller für Ölbehälter | 1 |
| 406 | 984810 | Påfyldningshætte | Filler cap | Füllschraube | 1 |
| 408 | 984833 | Overtryksventil | Overpressure valve | Überdruckventil | 1 |

EHL 1004 Handle



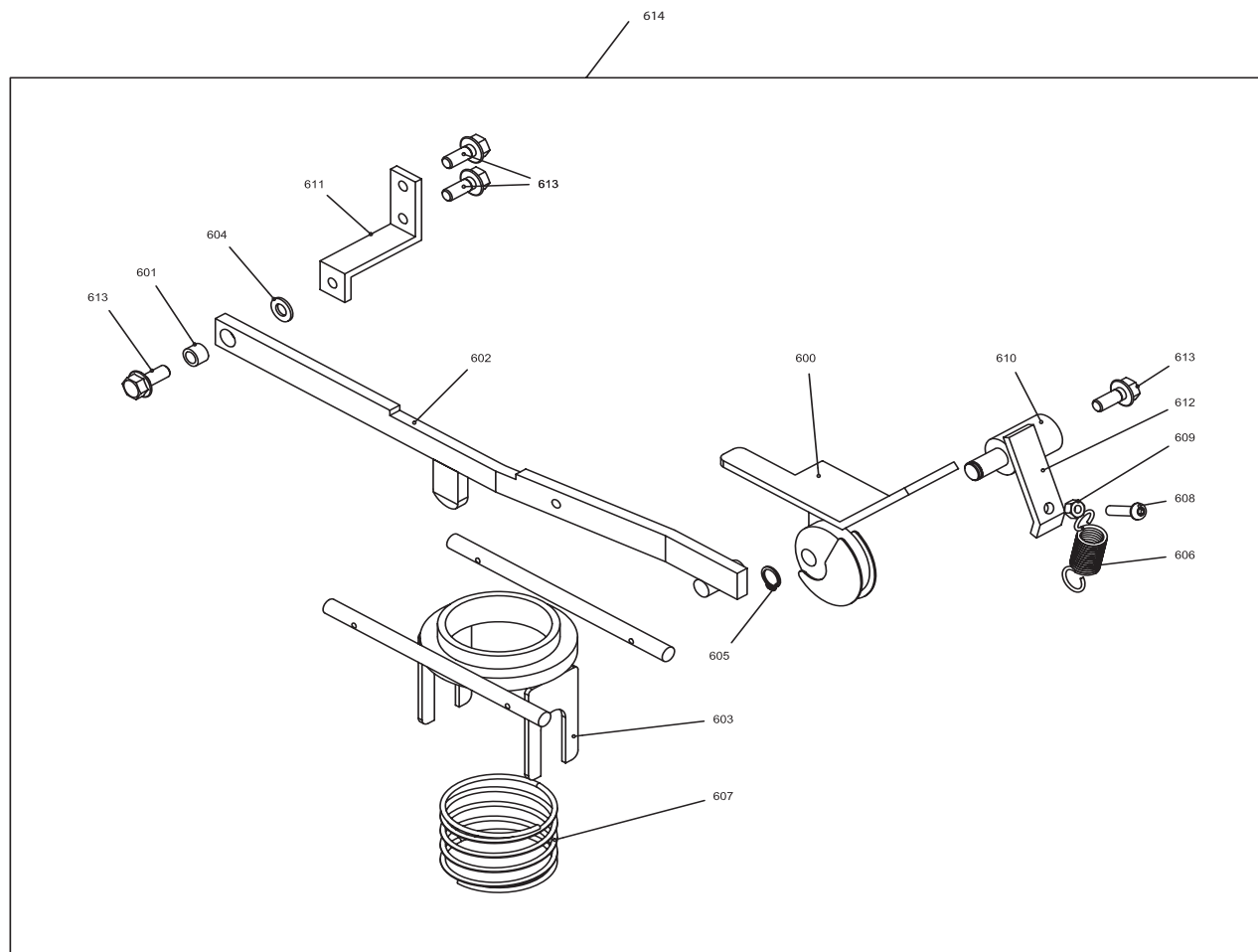
- DK** Ved bestilling af dele, hvor „Part no.“ er gråt, skal en af følgende farvekoder angives:
- GB** By ordering spare parts with „Part no.“ being grey, please state one of the following colour codes:
- D** Bei der Bestellung von Ersatzteilen mit grauem „Part. no.“, bitte die Farbe durch folgende Codes angeben:

- 1: RAL 2002 (Logitrans rød/red/rot)
 -2: RAL 1028 (gul/yellow/gelb)
 -3: Anden RAL-farve/an other RAL colour/eine andere RAL-Farbe
 -6: Sort/black/schwarz

Ex. 425050-1 => 425050-1-1

| Spare Parts List | | | EHL | Handel | 04-05-04 | |
|------------------|----------|------------------------------|---------------------------|---------------------|----------|--|
| Pos. | Part no. | Benævnelse | Description | Benennung | Pcs. | |
| 500 | 982075 | Vippekontakt | Tilting switch | Kippschalter | 1 | |
| 501 | 402356 | Kontaktskærm f. vippekontakt | Contact carrier | Schalterschirm | 2 | |
| 502 | 982190 | Nødstopkontakt | Emergency stop switch | Notausschalter | 1 | |
| 503 | 420191 | Nødstopsholder | Holder emergency stop | Halter Notstopp | 2 | |
| 504 | 420033 | Håndtag | Handle | Deichsel | 1 | |
| 505 | 420315 | Fjedertværpind | Transverse pin for spring | Querstift für Feder | 1 | |
| 506 | 993066 | Gummiprop | Rubber plug | Gummi Stöpsel | 1 | |
| 507 | 958213 | Trækfjeder | Spring | Feder | 1 | |
| 508 | 150001 | Håndtagskabel | Handle cable | Deichselkabel | 1 | |
| 510 | 919540 | Øjeskrue | Eye bolt | Augenschraube | 1 | |
| 511 | 921050 | Sikringsmøtrik | Lock nut | Gegenmutter | 1 | |

EHL 1004 Parking brake



| Spare Parts List | | EHL | Parking brake | 05-05-04 | |
|------------------|----------|--------------------------|--------------------------|---------------------------|------|
| Pos. | Part no. | Benævnelse | Description | Benennung | Pcs. |
| 600 | 401080 | Bremsepedal kpl. | Brake pedal cpl. | Bremsepedal Kpl. | 1 |
| 601 | 401790 | Bøsning f/bremse | Bushing f/brake | Buchse f/Bremse | 1 |
| 602 | 402605 | Trykarm f/bremse | Thrust support f/brake | Druckarm f/Bremse | 1 |
| 603 | 401805 | Bremsedel | Brake component | Bremsteil | 1 |
| 604 | 924100 | Skærmskive | Washer | Scheibe | 1 |
| 605 | 933120 | Låsering | Circlip | Schliessring | 1 |
| 606 | 958134 | Trækfjeder | Spring | Feder | 1 |
| 607 | 958342 | Trykfjeder | Spring | Feder | 1 |
| 608 | 919625 | Skrue | Screw | Schraube | 1 |
| 609 | 921060 | Sikringsmøtrik | Lock nut | Gegenmutter | 1 |
| 610 | 425420 | Justeringstap f/bremse | Adjusting pin f/brake | Justierungsstift f/Bremse | 1 |
| 611 | 425418 | Monteringsvinkel | Angle plate for fittings | Montier-Winkeleisen | 1 |
| 612 | 425419 | Stoparm f/bremse | Stop arm f/brake | Stopparm f/Bremse | 1 |
| 613 | 916820 | Skrue | Screw | Schraube | 4 |
| 614 | 170422 | Parkeringsbremse EHL1004 | Parking brake EHL 1004 | Feststellbremse EHL 1004 | 1 |