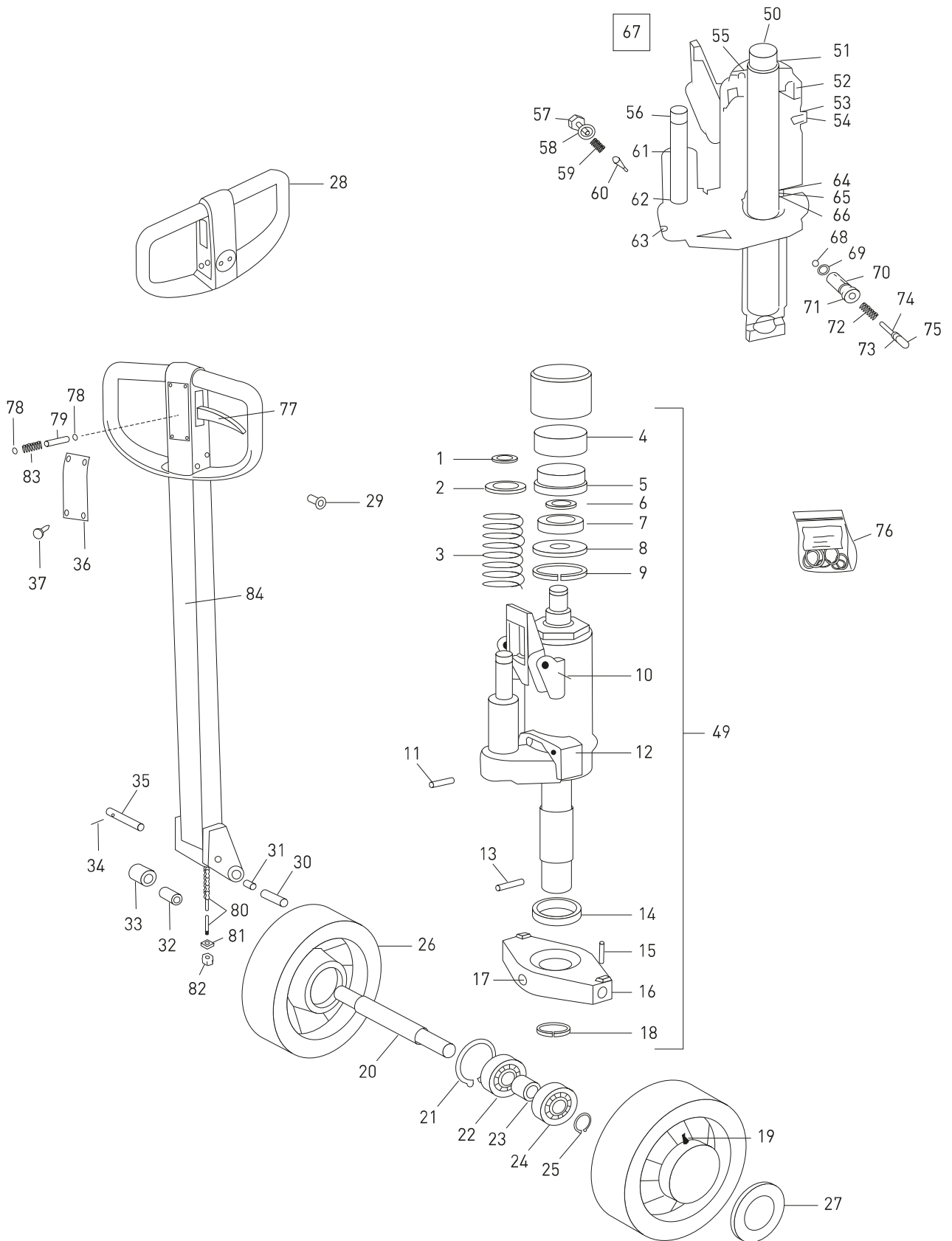




LHM230 (3121000-32999999)

HYDRAULIC UNIT BT LHM230 (3121000-32999999)





HYDRAULIC UNIT BT LHM230 (3121000-32999999)

Nr	Description	Qty	REF
1	Circlip	1	107TA6580
2	Cap, control handle pivot return spring	1	107TA6581
3	Spring, control handle return torsion	1	105TA4608
4	Insert	1	107TA6582
5	Housing, bearing	1	107TA6583
6	Circlip	1	107TA6584
7	Ball bearing	1	107TA6585
8	Washer (nylon) (thickness: 3 mm)	1	107TA6586
9	Circlip	1	107TA6587
10	Lock pin	2	107TA6588
11	Lock pin	1	107TA6589
12	Lever lift control	1	107TA6590
13	Lock pin	1	107TA6591
14	Bearing, hydraulic unit pivot	1	106TA6779
15	Circlip	2	107TA6592
16	Thrust plate, hydraulic pump unit mounting	1	106TA6781
17	Grease nipple	1	107TA6593
18	Circlip	1	107TA6595
19	Grease nipple	1	107TA6594
20	Shaft, steer wheel	1	107TA6596
21	Circlip	2	107TA6597
22	Ball bearing	2	107TA3175
23	Bushing	2	123TA6139
24	Ball bearing	2	107TA3175
25	Circlip	2	107TA6600
26A	Wheel assembly, steer (rubber)	2	107TA6601
26B	Wheel assembly, steer (polyurethane) (nylon rim)	2	107TA6606
26C	Wheel assembly, steer (nylon)	2	107TA6605
26D	Wheel assembly, steer (steel)	2	123TA6140
27	Cap, front wheel hub	2	122TA7004
28	Lowering lever	1	123TA6141
29	Rivet	4	123TA6142
30	Axle	1	107TA6618
31	Bushing, handle pivot	2	123TA6143
32	Bushing, control handle pump roller	1	107TA6625
33	Roller, control handle pump	1	107TA6621
34	Lock pin	1	123TA6144
35	Pin, control handle pump roller	1	107TA6619

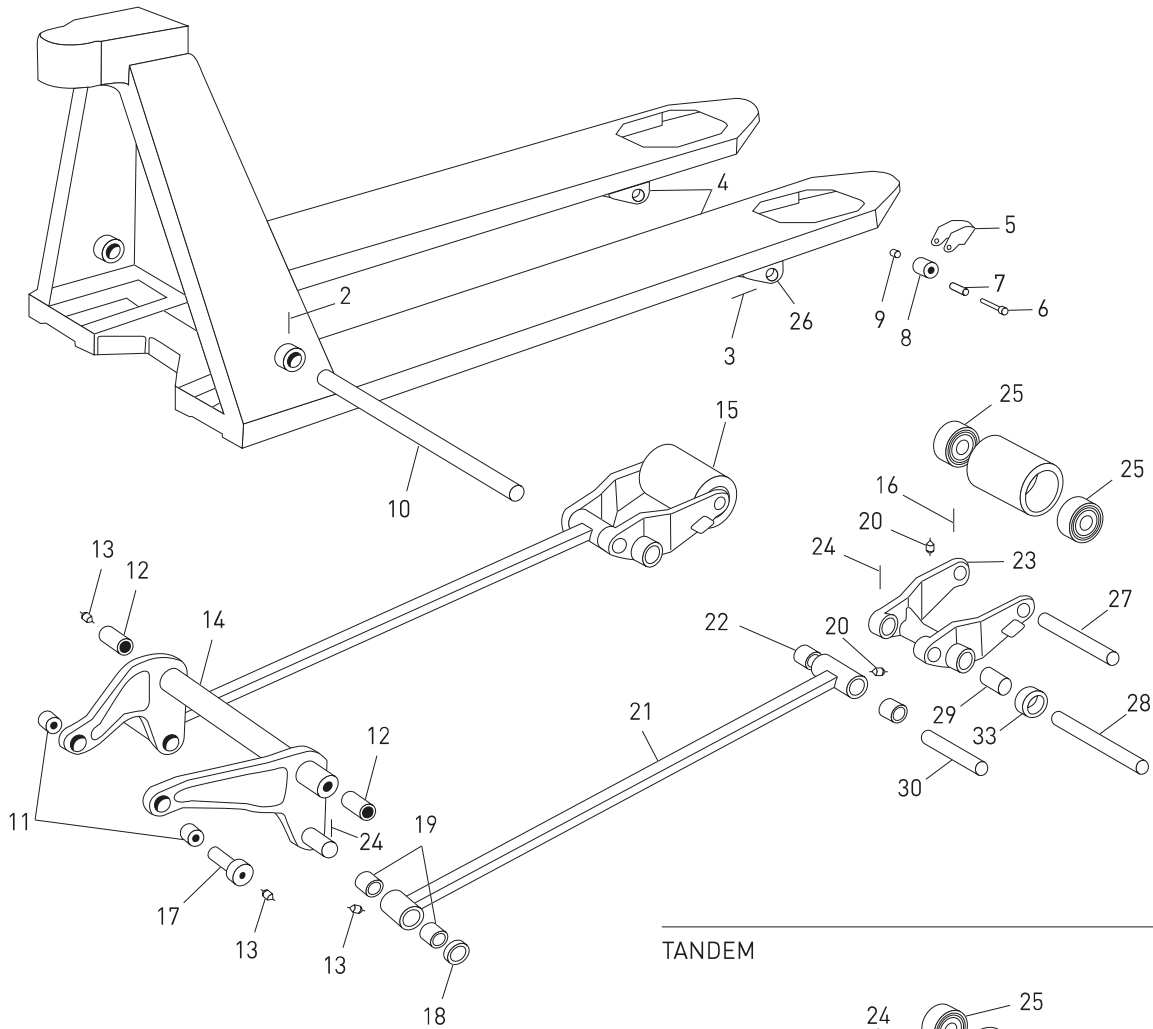
Nr	Description	Qty	REF
36	Cover, tiller head	1	123TA6145
37	Screw	4	123TA6146
49	Hydraulic unit	1	107TA6626
50	Piston, lift cylinder pallet truck	1	107TA6627
51	Body, hydraulic pump unit piston	1	107TA6628
52	O-ring	1	107TA6629
53	Washer (synthetic) (thickness: 4 mm)	1	107TA6630
54	Screw	1	107TA6631
55	Oil seal	1	107TA6632
56	Piston, hydraulic pump unit	1	107TA6634
57	Screw	1	107TA6635
58	Washer (copper) (thickness: 2,5 mm)	1	105TA1188
59	Spring (valve)	1	107TA6636
60	Plunger valve	1	107TA6637
61	Oil seal	1	107TA6638
62	Circlip	1	107TA6640
63	Steel ball	1	107TA6641
64	Circlip	1	107TA6642
65	Turning (bronze)	1	107TA6643
66	Lip seal	1	107TA6644
67A	Hydraulic unit	1	107TA6645
67B	Hydraulic unit	1	107TA6647
67C	Seal kit (valve unit)	1	107TA6648
68	Steel ball	1	107TA6641
69	Washer (copper) (thickness: 1,4 mm)	1	105TA1358
70	O-ring	1	107TA6649
71	Valve housing	1	107TA6650
72	Spring	1	107TA6651
73	Lip seal	1	107TA6652
74	Guide	1	107TA6653
75	Plunger, valve	1	106TA7043
76	Kit seal, hydraulic unit	1	107TA6576
77	Lever lowering, tiller	1	123TA6147
78	Steel ball	2	107TA6613
79	Bushing (without collar)	1	107TA6615
80	Rod complete, lowering	1	107TA6622
81	Spring	1	107TA6623
82	Hexagonal nut	1	107TA6624
83	Spring	1	107TA6614
84	Handle assembly	1	123TA6150

LHM230 (3121000-32999999)



LHM230 (3121000-)

MAIN FRAME BT LHM230 (3121000-)



TANDEM

