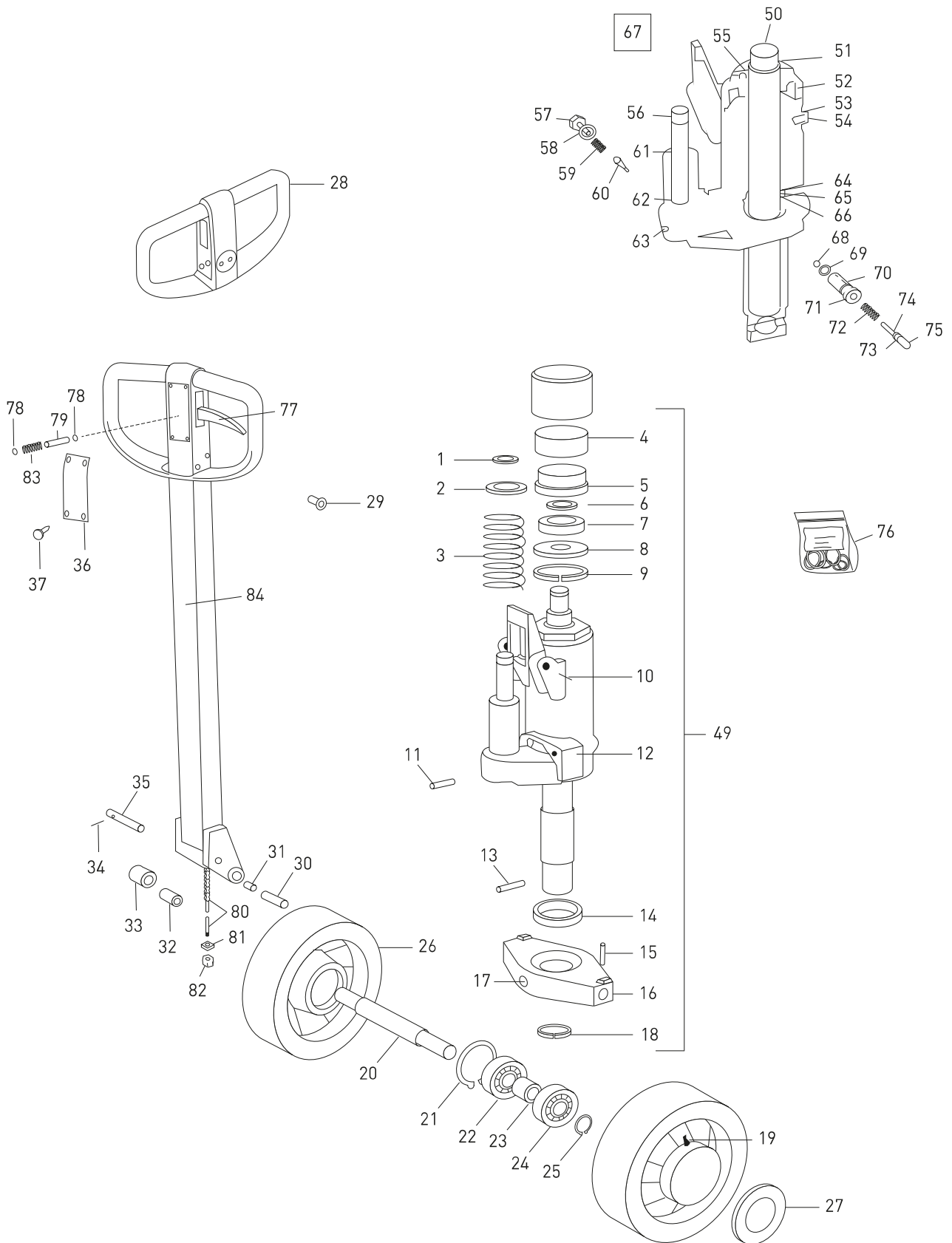




## HYDRAULIC UNIT BT LIFTER L23 (2400000-3120999)





## HYDRAULIC UNIT BT LIFTER L23 (2400000-3120999)

Nr	Description	Qty	REF
1	Circlip	1	<a href="#">107TA6580</a>
2	Cap, control handle pivot return spring	1	<a href="#">107TA6581</a>
3	Spring, control handle return torsion	1	<a href="#">105TA4608</a>
4	Insert	1	<a href="#">107TA6582</a>
5	Housing, bearing	1	<a href="#">107TA6583</a>
6	Circlip	1	<a href="#">107TA6584</a>
7	Ball bearing	1	<a href="#">107TA6585</a>
8	Washer (nylon) (thickness: 3 mm)	1	<a href="#">107TA6586</a>
9	Circlip	1	<a href="#">107TA6587</a>
10	Elastic pin	2	<a href="#">107TA6588</a>
11	Cotter pin	1	<a href="#">107TA6589</a>
12	Lever lift control	1	<a href="#">107TA6590</a>
13	Cotter pin	1	<a href="#">107TA6591</a>
14	Spacer, pivot bearing hydraulic pump unit to chassis	1	<a href="#">106TA6779</a>
15	Elastic pin	2	<a href="#">107TA6592</a>
16	Thrust plate, hydraulic pump unit mounting	1	<a href="#">106TA6781</a>
17	Grease nipple	1	<a href="#">107TA6593</a>
18	Circlip	1	<a href="#">107TA6595</a>
19	Grease nipple	1	<a href="#">107TA6594</a>
20	Shaft, steer wheel	1	<a href="#">107TA6596</a>
21	Circlip	2	<a href="#">107TA6597</a>
22	Ball bearing	2	<a href="#">147TA3710</a>
23	Bushing (without collar)	2	<a href="#">123TA6139</a>
24	Ball bearing	2	<a href="#">147TA3710</a>
25	Circlip	2	<a href="#">107TA6600</a>
26A	Wheel assembly, steer (rubber)	2	<a href="#">107TA6601</a>
26B	Wheel assembly, steer (polyurethane) (nylon rim)	2	<a href="#">107TA6606</a>
26C	Wheel assembly, steer (nylon)	2	<a href="#">107TA6605</a>
26D	Wheel assembly, steer (steel)	2	<a href="#">123TA6140</a>
27	Cap, front wheel hub	2	<a href="#">122TA7004</a>
28	Lowering lever	1	<a href="#">123TA6141</a>
29	Rivet	4	<a href="#">123TA6142</a>
30	Shaft, handle pivot	1	<a href="#">107TA6618</a>
31	Bushing, handle pivot	2	<a href="#">123TA6143</a>
32	Bushing, control handle pump roller	1	<a href="#">107TA6625</a>
33	Roller, control handle pump	1	<a href="#">107TA6621</a>
34	Elastic pin	1	<a href="#">107TA6620</a>

Nr	Description	Qty	REF
35	Pin, control handle pump roller	1	<a href="#">107TA6619</a>
36	Cover, tiller head	1	<a href="#">123TA6145</a>
37	Screw	4	<a href="#">123TA6146</a>
49	Hydraulic unit	1	<a href="#">107TA6626</a>
50	Piston, lift cylinder pallet truck	1	<a href="#">107TA6627</a>
51	Body, hydraulic pump unit piston	1	<a href="#">107TA6628</a>
52	O-ring	1	<a href="#">107TA6629</a>
53	Washer (synthetic) (thickness: 4 mm)	1	<a href="#">107TA6630</a>
54	Screw	1	<a href="#">107TA6631</a>
55	Oil seal	1	<a href="#">107TA6632</a>
56	Piston, hydraulic pump unit	1	<a href="#">107TA6634</a>
57	Screw	1	<a href="#">107TA6635</a>
58	Washer (copper) (thickness: 2,5 mm)	1	<a href="#">105TA1188</a>
59	Spring	1	<a href="#">107TA6636</a>
60	Plunger valve	1	<a href="#">107TA6637</a>
61	Oil seal	1	<a href="#">107TA6638</a>
62	Lip seal	1	<a href="#">107TA6640</a>
63	Steel ball	1	<a href="#">107TA6641</a>
64	Circlip	1	<a href="#">107TA6642</a>
65	Turning (bronze)	1	<a href="#">107TA6643</a>
66	Lip seal	1	<a href="#">107TA6644</a>
67A	Kit seal, hydraulic pump unit piston (pump cylinder)	1	<a href="#">107TA6645</a>
67B	Kit seal, lift cylinder (lift cylinder)	1	<a href="#">107TA6647</a>
67C	Seal kit (valve unit)	1	<a href="#">107TA6648</a>
68	Steel ball	1	<a href="#">107TA6641</a>
69	Washer (copper) (thickness: 1,4 mm)	1	<a href="#">105TA1358</a>
70	O-ring	1	<a href="#">107TA6649</a>
71	Valve housing	1	<a href="#">107TA6650</a>
72	Spring	1	<a href="#">107TA6651</a>
73	Lip seal	1	<a href="#">107TA6652</a>
74	Guide, spring	1	<a href="#">107TA6653</a>
75	Plunger, valve	1	<a href="#">106TA7043</a>
76	Kit repair, hydraulic unit	1	<a href="#">107TA6576</a>
77	Lever lowering, tiller	1	<a href="#">123TA6147</a>
78	Steel ball	2	<a href="#">107TA6613</a>
79	Bushing	1	<a href="#">107TA6615</a>
80	Rod complete, lowering	1	<a href="#">107TA6622</a>
81	Spring	1	<a href="#">107TA6623</a>
82	Hexagonal nut	1	<a href="#">107TA6624</a>
83	Spring	1	<a href="#">107TA6614</a>
84	Handle assembly	1	<a href="#">123TA6150</a>

LIFTER L23 (2400000-3120999)



## MAIN FRAME BT LIFTER L23 (2400000-3120999)

