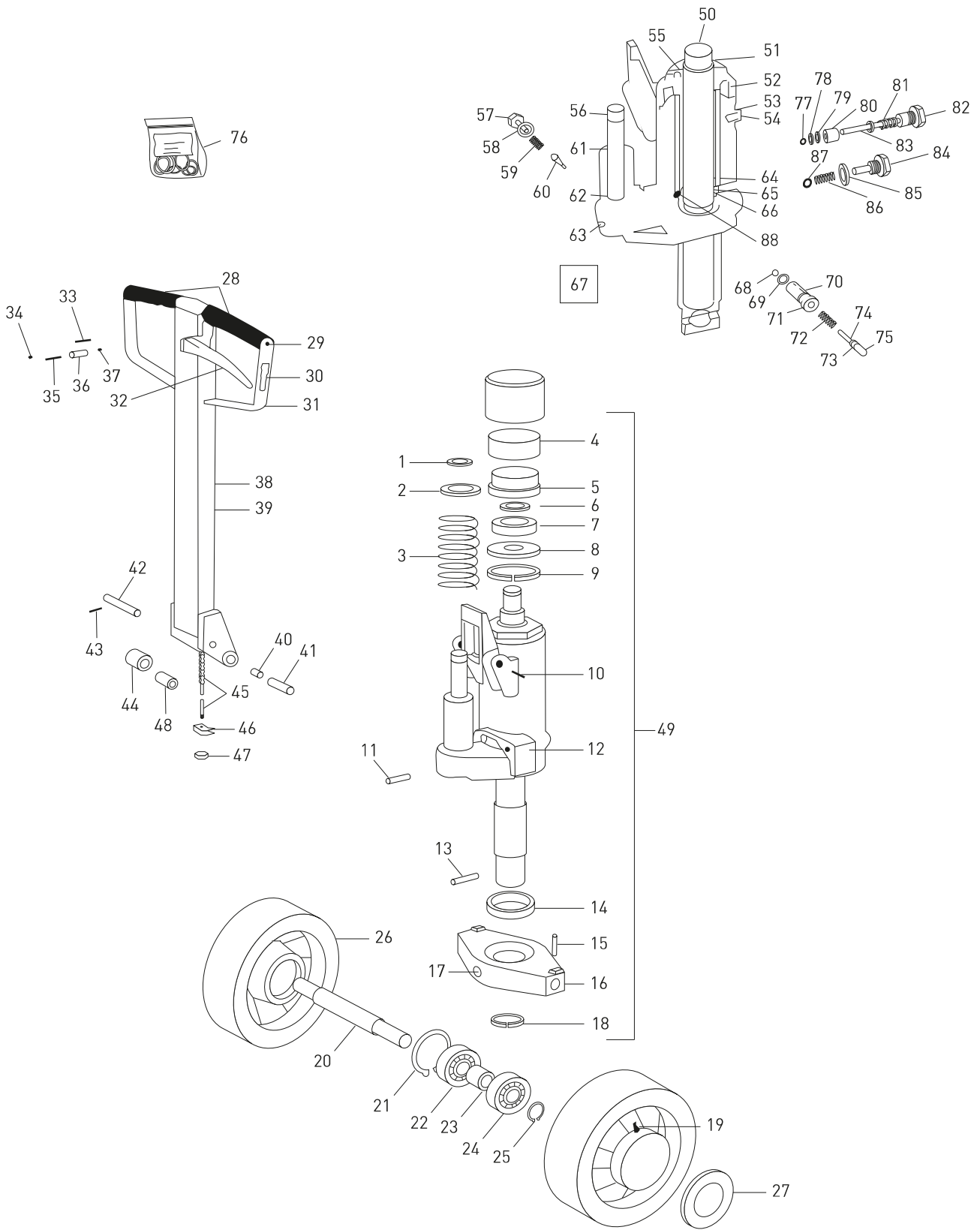




HYDRAULIC UNIT BT LIFTER L2000 QUICK 10/11 (-2399999)





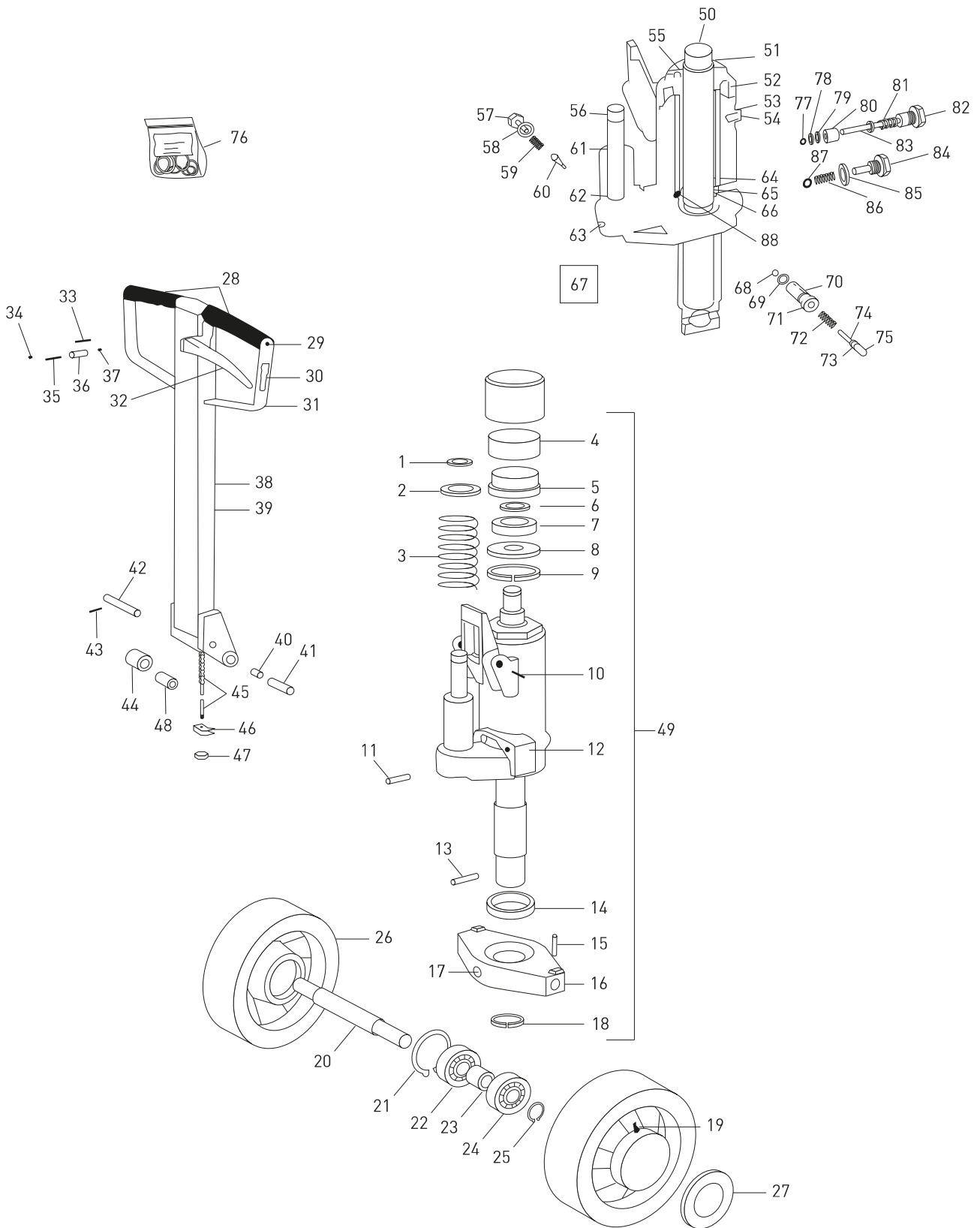
HYDRAULIC UNIT BT LIFTER L2000 QUICK 10/11 (-2399999)

| Nr | Description | Qty | REF |
|-----|--|-----|---------------------------|
| 1 | Circlip | 1 | 107TA6580 |
| 2 | Washer (steel) (thickness: 6 mm) | 1 | 107TA6581 |
| 3 | Spring, control handle return torsion | 1 | 105TA4608 |
| 4 | Insert | 1 | 107TA6582 |
| 5 | Housing, bearing | 1 | 107TA6583 |
| 6 | Circlip | 1 | 107TA6584 |
| 7 | Ball bearing | 1 | 107TA6585 |
| 8 | Washer (nylon) (thickness: 3 mm) | 1 | 107TA6586 |
| 9 | Circlip | 1 | 107TA6587 |
| 10 | Elastic pin | 2 | 107TA6588 |
| 11 | Cotter pin | 1 | 107TA6589 |
| 12 | Lever lift control | 1 | 107TA6590 |
| 13 | Cotter pin | 1 | 107TA6591 |
| 14 | Spacer, pivot bearing hydraulic pump unit to chassis | 1 | 106TA6779 |
| 15 | Elastic pin | 2 | 107TA6592 |
| 16 | Thrust plate, hydraulic pump unit mounting | 1 | 106TA6781 |
| 17 | Grease nipple | 1 | 107TA6594 |
| 18 | Circlip | 1 | 107TA6595 |
| 19 | Grease nipple | 2 | 107TA6594 |
| 20 | Shaft, steer wheel | 1 | 107TA6596 |
| 21 | Circlip | 2 | 107TA6597 |
| 22 | Ball bearing | 2 | 107TA6598 |
| 23 | Bushing (without collar) | 2 | 105TA1681 |
| 24 | Ball bearing | 2 | 107TA6599 |
| 25 | Circlip | 2 | 107TA6600 |
| 26A | Wheel assembly, steer (rubber) (nylon rim) (without bearings) | 2 | 107TA3008 |
| 26B | Wheel assembly, steer (rubber) (L2000/11) (2256000-) | 2 | 107TA6601 |
| 26C | Wheel assembly, load (polyurethane) (nylon rim) (without bearings) | 2 | 107TA6603 |
| 26D | Wheel assembly, load (polyurethane) (without bearings) | 2 | 107TA3009 |
| 26E | Wheel assembly, steer (polyurethane) (L2000/11) (2256000-) | 2 | 107TA6606 |
| 26F | Wheel assembly, load (nylon) (without bearings) | 2 | 107TA6604 |

| Nr | Description | Qty | REF |
|-----|--|-----|---------------------------|
| 26G | Wheel assembly, steer (nylon) (L2000/11) (2256000-) | 2 | 107TA6605 |
| 27 | Cap, front wheel hub | 2 | 122TA7004 |
| 28 | Handle | 2 | 107TA6607 |
| 29 | Screw | 2 | 107TA6609 |
| 30 | Adhesive | 1 | 107TA6610 |
| 31 | Clamp | 2 | 107TA6611 |
| 32 | Lever lowering, tiller | 1 | 106TA6780 |
| 33 | Elastic pin | 1 | 107TA6612 |
| 34 | Steel ball | 2 | 107TA6613 |
| 35 | Spring | 1 | 107TA6614 |
| 36 | Bushing | 1 | 107TA6615 |
| 37 | Steel ball | 2 | 107TA6613 |
| 38 | Handle assembly | 1 | 106TA6777 |
| 39 | Bracket, tiller arm | 1 | 107TA6616 |
| 40 | Bushing, handle pivot | 2 | 107TA6617 |
| 41 | Shaft, handle pivot | 1 | 107TA6618 |
| 42 | Axle | 1 | 107TA6619 |
| 43 | Elastic pin | 1 | 107TA6620 |
| 44 | Roller, control handle pump | 1 | 107TA6621 |
| 45 | Rod complete, lowering | 1 | 107TA6622 |
| 46 | Spring | 1 | 107TA6623 |
| 47 | Hexagonal nut | 1 | 107TA6624 |
| 48 | Bushing, control handle pump roller | 1 | 107TA6625 |
| 49 | Pump, hydraulic | 1 | 124TA1642 |
| 50 | Piston, lift cylinder pallet truck | 1 | 124TA1644 |
| 51 | Body, hydraulic pump unit piston | 1 | 124TA1646 |
| 52 | O-ring | 1 | 107TA6629 |
| 53 | Washer (synthetic) (thickness: 4 mm) | 1 | 107TA6630 |
| 54 | Screw | 1 | 107TA6631 |
| 55 | Oil seal | 1 | 107TA6632 |
| 56 | Piston, hydraulic pump unit | 1 | 107TA6634 |
| 57 | Screw | 1 | 107TA6635 |
| 58 | Washer (copper) (thickness: 2,5 mm) | 1 | 105TA1188 |
| 59 | Spring | 1 | 107TA6636 |
| 60 | Lever lift control | 1 | 107TA6637 |
| 61 | Oil seal | 1 | 107TA6638 |
| 62 | Lip seal | 1 | 107TA6639 |
| 63 | Steel ball | 1 | 107TA6641 |
| 64 | O-ring | 1 | 124TA1648 |



HYDRAULIC UNIT BT LIFTER L2000 QUICK 10/11 (-2399999)





MAIN FRAME BT LIFTER L2000 QUICK 10/11 [-2399999]

