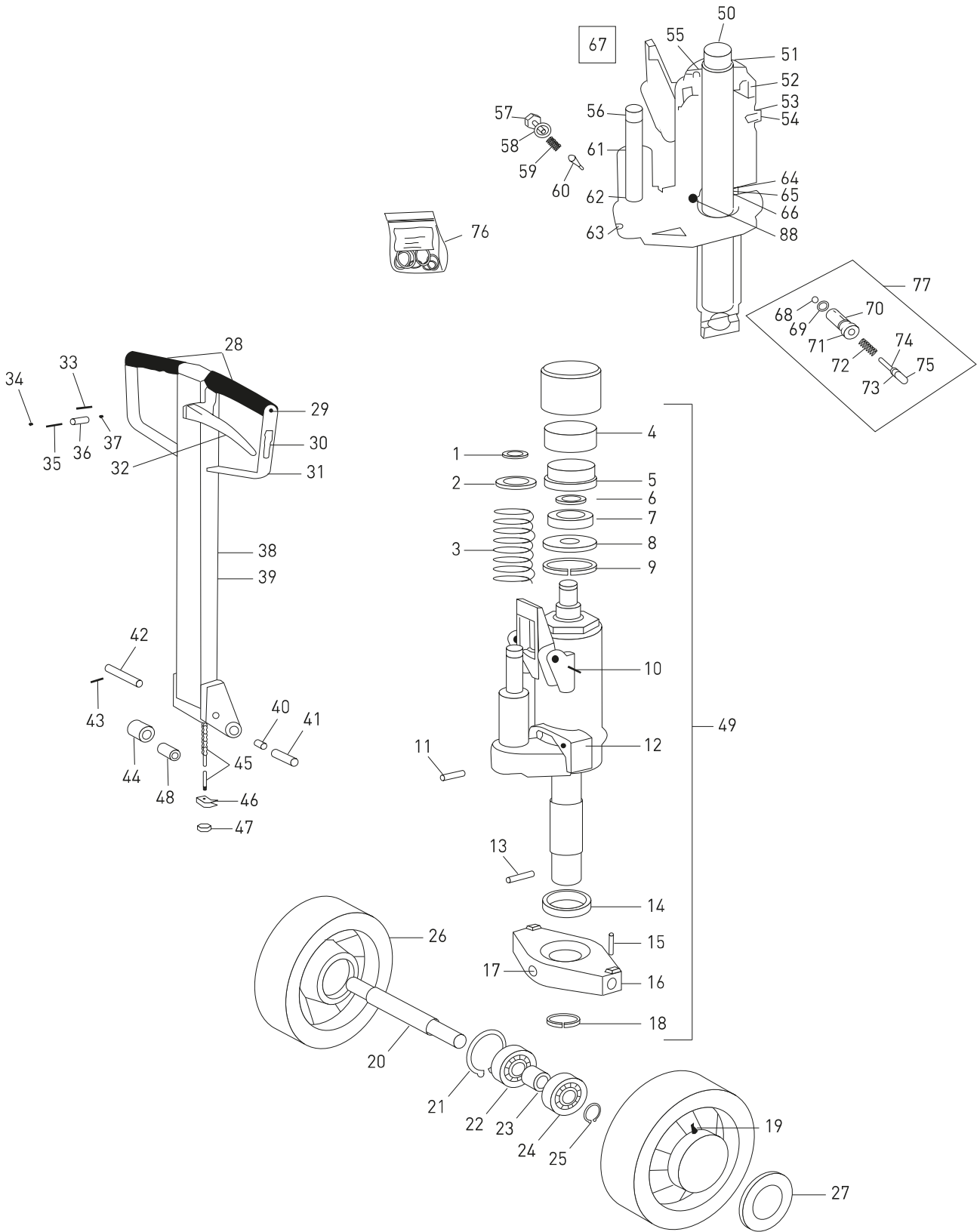




HYDRAULIC UNIT BT LIFTER L2000 7/9/10/11 (-2399999)





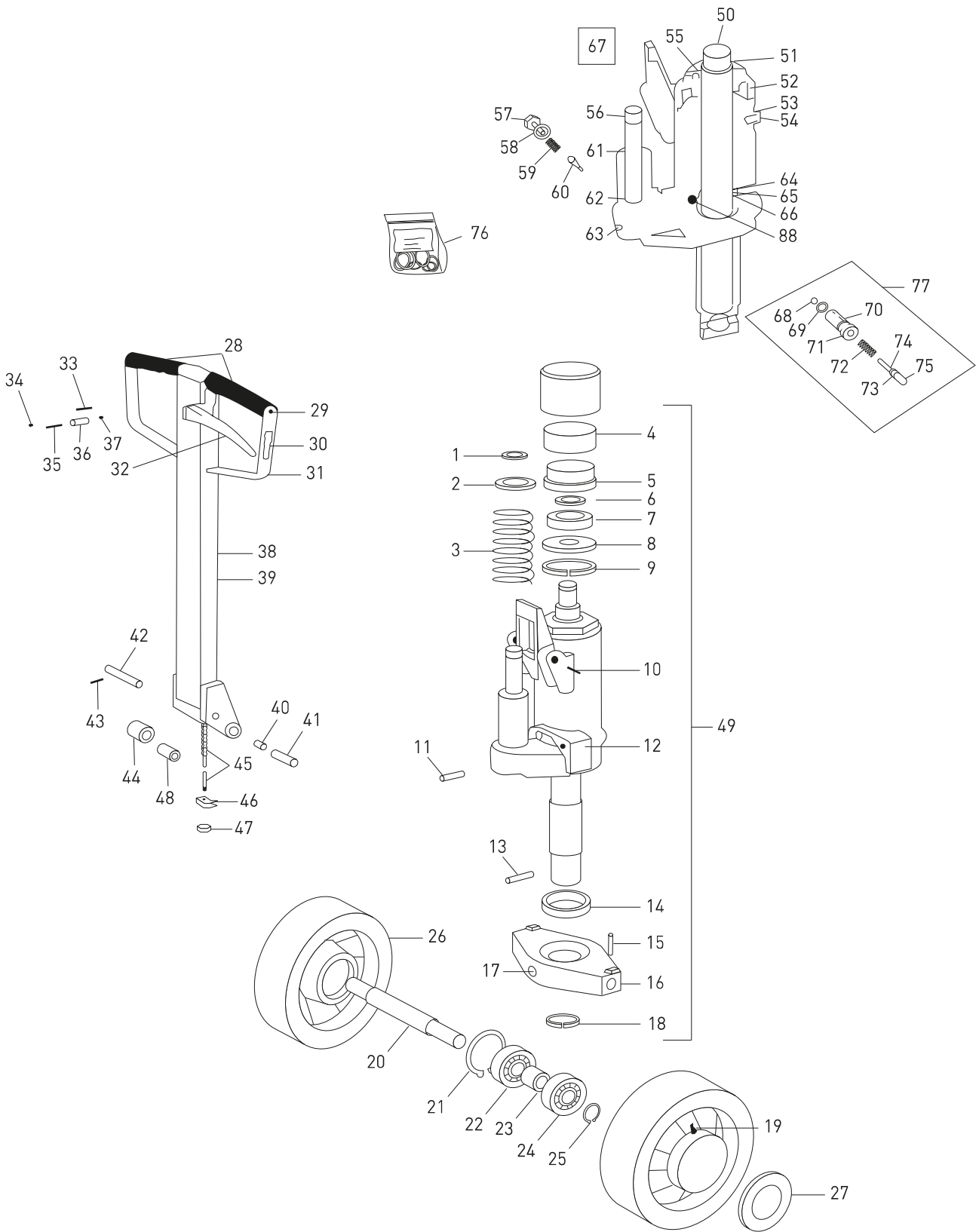
HYDRAULIC UNIT BT LIFTER L2000 7/9/10/11 (-2399999)

Nr	Description	Qty	REF
1	Circlip	1	107TA6580
2	Washer (steel) (thickness: 6 mm)	1	107TA6581
3	Spring, control handle return torsion	1	105TA4608
4	Insert	1	107TA6582
5	Housing, bearing	1	107TA6583
6	Circlip	1	107TA6584
7	Ball bearing	1	107TA6585
8	Washer (nylon) (thickness: 3 mm)	1	107TA6586
9	Circlip	1	107TA6587
10	Elastic pin	2	107TA6588
11	Cotter pin	1	107TA6589
12	Lever lift control	1	107TA6590
13	Cotter pin	1	107TA6591
14	Spacer, pivot bearing hydraulic pump unit to chassis	1	106TA6779
15	Elastic pin	2	107TA6592
16	Thrust plate, hydraulic pump unit mounting	1	106TA6781
17	Grease nipple (L2000/8)	1	107TA6594
17	Grease nipple (to L2000/7)	1	107TA6593
18	Circlip	1	107TA6595
19	Grease nipple	1	107TA6594
20	Shaft, steer wheel	1	107TA6596
21	Circlip	2	107TA6597
22	Ball bearing	2	107TA6598
23	Bushing (without collar)	2	105TA1681
24	Ball bearing	2	107TA6599
25	Circlip	2	107TA6600
26A	Wheel assembly, steer (rubber) (nylon rim) (without bearings)	2	107TA3008
26B	Wheel assembly, steer (rubber) (only for L2000/11) (2586500-)	2	107TA6601
26C	Wheel assembly, load (polyurethane) (nylon rim) (without bearings)	2	107TA6603
26D	Wheel assembly, load (polyurethane) (without bearings)	2	107TA3009
26E	Wheel assembly, steer (polyurethane) (nylon rim) (only for L2000/11) (2586500-)	2	107TA6606

Nr	Description	Qty	REF
26F	Wheel assembly, load (nylon) (without bearings)	2	107TA6604
26G	Wheel assembly, steer (nylon) (only for L2000/11) (2586500-)	2	107TA6605
27	Cap, front wheel hub	2	122TA7004
28	Handle	2	107TA6607
29A	Screw (M6) (total length: 16 mm) (L2000/7)	2	107TA6608
29B	Screw (6,3 x 25 mm) (from L2000/8)	2	107TA6609
30	Adhesive	1	107TA6610
31	Clamp	2	107TA6611
32	Lever lowering, tiller	1	106TA6780
33	Elastic pin	1	107TA6612
34	Steel ball	2	107TA6613
35	Spring	1	107TA6614
36	Bushing	1	107TA6615
37	Steel ball	2	107TA6613
38	Handle assembly	1	106TA6777
39	Bracket, tiller arm	1	107TA6616
40	Bushing, handle pivot	2	107TA6617
41	Shaft, handle pivot	2	107TA6618
42	Pin, control handle pump roller	1	107TA6619
43	Elastic pin	1	107TA6620
44	Roller, control handle pump	1	107TA6621
45	Rod complete, lowering	1	107TA6622
46	Spring	1	107TA6623
47	Hexagonal nut	1	107TA6624
48	Bushing, control handle pump roller	1	107TA6625
49	Hydraulic unit	1	107TA6626
50	Piston, lift cylinder pallet truck	1	107TA6627
51	Body, hydraulic pump unit piston	1	107TA6628
52	O-ring	1	107TA6629
53	Washer (synthetic) (thickness: 4 mm)	1	107TA6630
54	Screw	1	107TA6631
55	Oil seal	1	107TA6632
56A	Piston, hydraulic pump unit (L2000/7)	1	107TA6633
56B	Piston, hydraulic pump unit (L2000/10)	1	107TA6634

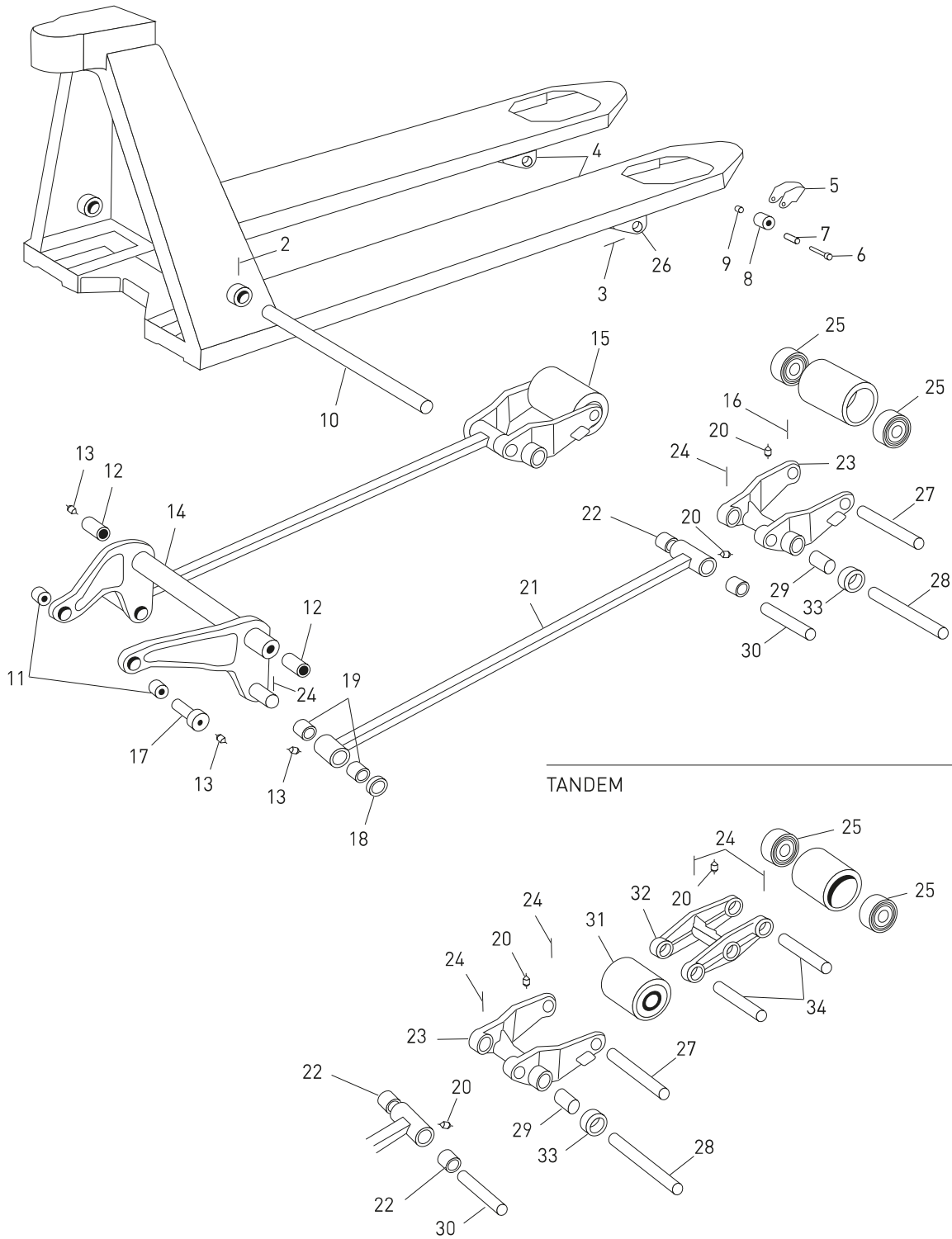


HYDRAULIC UNIT BT LIFTER L2000 7/9/10/11 (-2399999)





MAIN FRAME BT LIFTER L2000 7/9/10/11 (-2399999)





MAIN FRAME BT LIFTER L2000 7/9/10/11 (-2399999)

Nr	Description	Qty	REF
2	Elastic pin	1	107TA6592
3A	Elastic pin (L2000/7)	4	107TA6654
3B	Elastic pin (L2000/10)	4	107TA6655
4A	Ear (L2000/7)	2	107TA6656
4B	Ear (L2000/10)	2	107TA6657
5	Bracket, entry roller	2	107TA6658
6	Shaft/bolt, entry roller	2	107TA6659
7	Spacer, entry roller	2	107TA6660
8	Wheel, entry roller	2	107TA2891
9	Hexagonal nut	2	107TA6661
10	Shaft pivot, torsion tube	1	107TA6662
11	Bushing, torsion tube to thrust plate	2	105TA1924
12	Bushing	2	105TA2177
13	Grease nipple	2	107TA6594
14	Torsion tube (frame width: 520 mm)	1	107TA6663
15A	Wheel assembly, load (nylon) (single)	2	107TA6664
15B	Wheel assembly, load (polyurethane) (single)	2	107TA6665
15C	Wheel assembly, load (steel) (single)	2	107TA6666
15D	Wheel assembly, load (nylon) (single) (L2000/11) (2256000-)	2	107TA2928
15E	Wheel assembly, load (polyurethane) (single) (L2000/11) (2256000-)	2	107TA6667
15F	Wheel assembly, load (Vulkollan®) (single) (L2000/11) (2256000-)	2	107TA6668
16	Elastic pin	2	107TA6592
17	Shaft, torsion tube to thrust plate	2	107TA6669
18	Washer (thickness: 4,2 mm)	2	107TA6670
19	Bushing, push/pull rod non fork end	4	107TA6671
20	Grease nipple	8	107TA6594
21A	Push/pull rod, lift structure (fork length: 1000 mm)	2	107TA6672
21B	Push/pull rod, lift structure (fork length: 1070 mm)	2	107TA6673
21C	Push/pull rod, lift structure (fork length: 1150 mm)	2	105TA4604
21D	Push/pull rod, lift structure (fork length: 1220 mm)	2	107TA6674
22	Bushing, push/pull rod fork end	4	105TA2174

Nr	Description	Qty	REF
23A	Fork, bracket load wheel (L2000/7)	2	106TA8088
23B	Fork, bracket load wheel (L2000/10)	2	106TA7393
24	Elastic pin	6	107TA6592
25A	Bearing	4	106TA6778
25B	Bearing (L2000/11) (2256000-)	4	107TA6675
26A	Wheel assembly, load (nylon) (single wheel) (without bearings)	2	105TA4633
26B	Wheel assembly, load (polyurethane) (without bearings) (single)	2	107TA2626
26C	Wheel assembly, load (polyurethane) (nylon rim) (single) (without bearings)	2	107TA6676
26D	Wheel assembly, load (steel) (tandem)	2	107TA6666
26E	Wheel assembly, load (steel) (single) (without bearings)	2	107TA2968
27	Shaft/bolt load wheel	2	107TA6677
28A	Shaft, fork load wheel bracket to chassis (L2000/7)	2	107TA6678
28B	Shaft/bolt load wheel (L2000/10)	2	107TA6679
29	Bushing, fork load wheel bracket to chassis	4	105TA2175
30A	Shaft, push/pull rod fork end (length: 110 mm)	2	107TA6680
30B	Shaft, push/pull rod fork end (length: 84,5 mm) (L2000/10)	2	107TA6681
31A	Wheel assembly, load (nylon) (tandem)	4	107TA2936
31B	Wheel assembly, load (polyurethane) (nylon rim) (tandem)	4	107TA6682
31C	Wheel assembly, load (steel) (tandem)	4	107TA2957
31D	Wheel assembly, load (nylon) (tandem) (L2000/11) (2256000-)	4	107TA2935
31E	Wheel assembly, load (polyurethane) (nylon rim) (tandem) (L2000/11) (2256000-)	4	107TA6683
31F	Wheel assembly, load (Vulkollan®) (tandem) (L2000/11) (2256000-)	4	107TA2788
32	Fork, load wheel	2	107TA6684
33	Wheel assembly, load (steel) (tandem) (without bearings)	4	107TA6687

LIFTER L2000 7/9/10/11 (-2399999)



MAIN FRAME BT LIFTER L2000 7/9/10/11 (-2399999)

