

# LED STRING LIGHT GKT10



Anti-impact



IP65



Recycle



Injection molding cord,  
strong tensile strength,  
Cord: 14/2 SJTW



smaller size, only 1/2 of the  
conventional luminaire



**PF**  
≥0.9

**CRI**  
≥80



**IP65**

**3 years**  
warranty

**LED**  
SAMSUNG  
2835

**IES**

**cUL US**  
LISTED  
(LUMINAIRE)

**LM80**

**LM79**



**T10-100W-01**  
5 lamps one set

**T10-200W-01**  
10 lamps one set

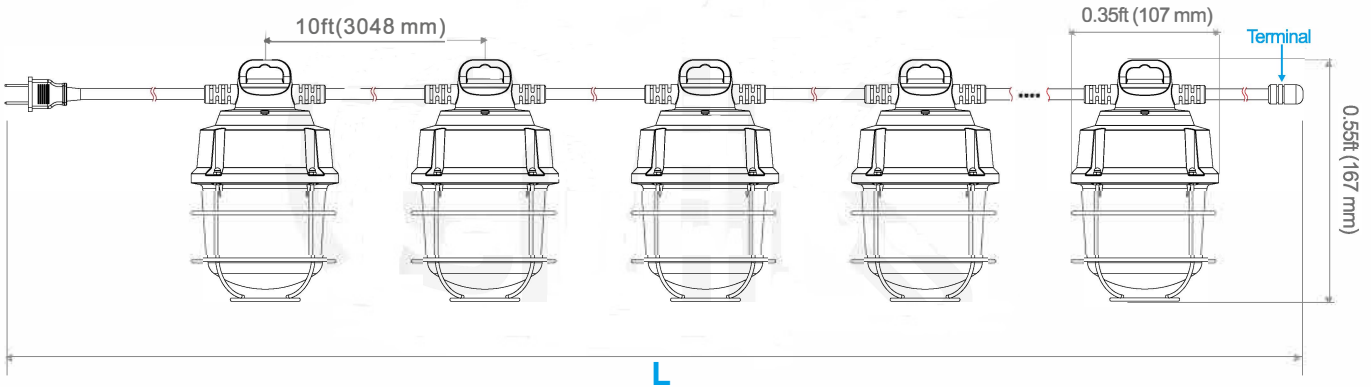
**T10-300W-01**  
15 lamps one set

**T10-400W-01**  
20 lamps one set



# Dimensions

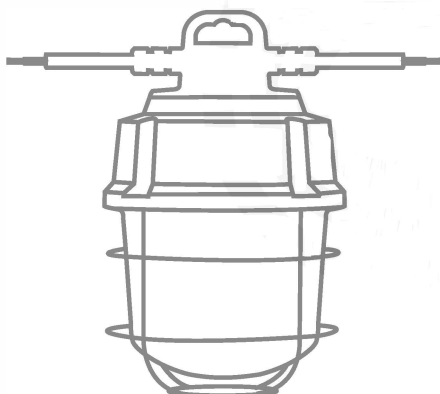
5 lamps one set (Standard)	L=50ft (15240mm)
10 lamps one set (Standard)	L=100ft (30480mm)
15 lamps one set	L=150ft (45720mm)
20 lamps one set	L=200ft (60960mm)



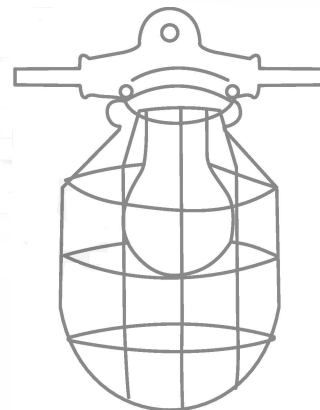
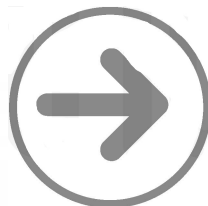
# Specifications

Power	Led Qty	PF	CRI	Voltage	CCT	Total Lumen	Operation tep (°C/F)	Size inch (inch/0.039=mm)	Beamangle	IPdegree	Weight (lbs=kg*2.2)	Equal to
100W±10%	480 leds SAMSUNG 2835	≥0.9	≥80	120V AC 50~60Hz	2700~6000K	2000lumen*5	minus -30~40°C	Φ 4.21"*6.89" Φ 107*175mm	360°	IP65	NW4.17kg	150W*5 incandescent tube
							minus -22~104°F				GW5.16kg	
200W±10%	960 leds SAMSUNG 2835	≥0.9	≥80	120V AC 50~60Hz	2700~6000K	2000lumen*10	minus -30~40°C	Φ 4.21"*6.89" Φ 107*175mm	360°	IP65	NW8.34kg	150W*10 incandescent tube
							minus -22~104°F				GW10.34kg	
300W±10%	1440 leds SAMSUNG 2835	≥0.9	≥80	120V AC 50~60Hz	2700~6000K	2000lumen*15	minus -30~40°C	Φ 4.21"*6.89" Φ 107*175mm	360°	IP65	NW12.51kg	150W*15 incandescent tube
							minus -22~104°F				GW15.51kg	
400W±10%	1920 leds SAMSUNG 2835	≥0.9	≥80	120V AC 50~60Hz	2700~6000K	2000lumen*20	minus -30~40°C	Φ 4.21"*6.89" Φ 107*175mm	360°	IP65	NW16.68kg	150W*20 incandescent tube
							minus -22~104°F				GW20.68kg	

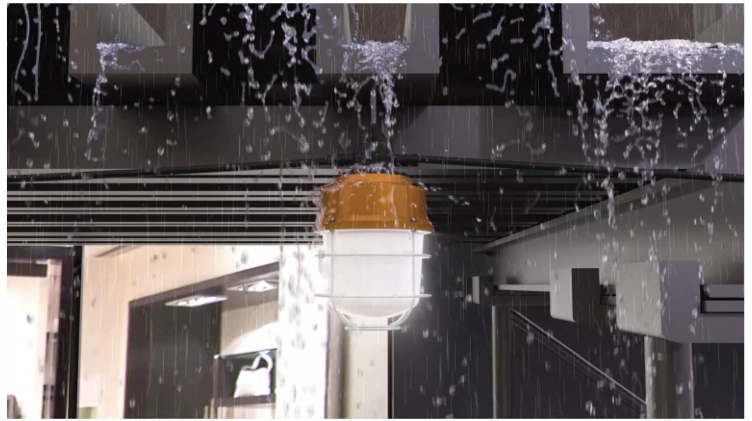
# Replace



**REPLACE**

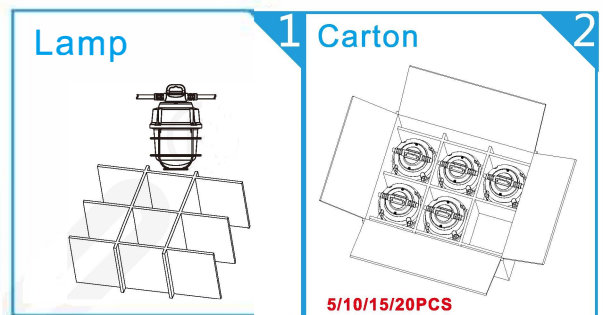


# Application



# Packing

Rated Power	Carton Size	G W	Quantity Per Carton
20W*5	350*280*215mm	5.7kg	5
20W*10	585*280*215mm	10.34kg	10
20W*15	585*395*215mm	15.51kg	15
20W*20	585*510*215mm	20.68kg	20



## ⚠ CAUTIONS

- Risk of electric shock.
- The temporary lighting are non-dimmable.
- Don't take apart the lamps without our permit.
- Please read the instruction manual carefully before installation.

PRIME LED LIGHT®

FaceBook: [www.facebook.com/primeledlightusa/](http://www.facebook.com/primeledlightusa/)  
215 Central Ave 4D Saint Petersburg, FL 33701

[www.primeledlight.com](http://www.primeledlight.com) Tel: 941-592-7899

E-mail: [sales@primeledlight.com](mailto:sales@primeledlight.com)