

## LED Temporary High Bay Light

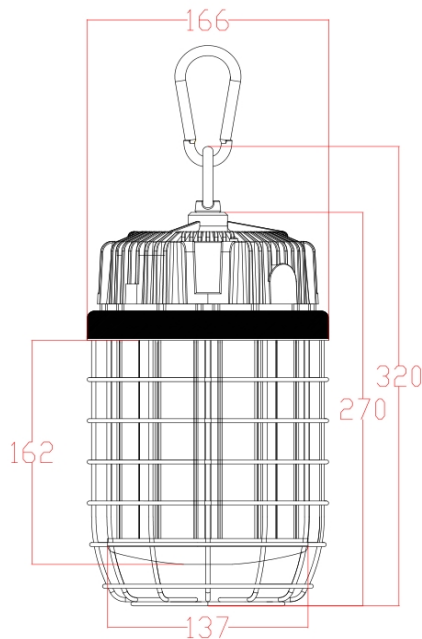
**Models:** HD-GZD-X100W-A00 AC100-277V, 2700-6500K



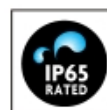
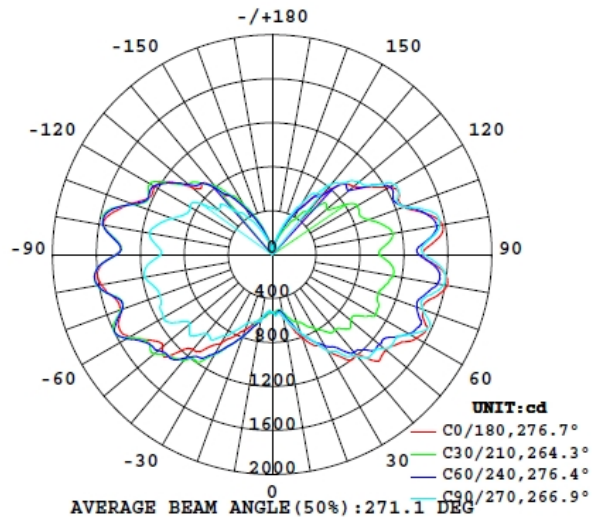
### Features of the Products:

- ◇ 12000V surge protection
- ◇ No flickering Driver
- ◇ Using RUBYCON
- ◇ 100% aluminum driver box, good heat dissipation, service life is guaranteed
- ◇ Stainless steel hook, More safety, High reliability
- ◇ Thermal insulation design of power supply and lamp holder
- ◇ Stainless steel guard for safety protection
- ◇ whole lamp's lumen output reach 110-120lm/W
- ◇ IP65 waterproof rating provide better used in outdoor application.
- ◇ UL, DLC4.1, CE, RoHS, LM79, LM80 listed.
- ◇ 5 years warranty.

### Dimension



### Luminous emittance



## Details:



60 80 100 120 150 WATT SMD LEDs  
NOVEL STRUCTURE, HIGH RELIABILITY  
LIGHT WEIGHT AND SMALL VOLUME.



IP65 WATERPROOF RATE  
FOR DAMP LOCATION



PORTABLE SOLID & CONVENIENT



12000V SURGE VOLTAGE



NO FLICKERING DRIVER



100% ALUMINUM DRIVER BOX, GOOD HEAT  
DISSIPATION, SERVICE LIFE IS GUARANTEED



THERMAL INSULATION DESIGN OF POWER  
SUPPLY AND LAMP HOLDER



10FT 18/3 SJTW CABLE



STAINLESS STEEL SPRING HOOK

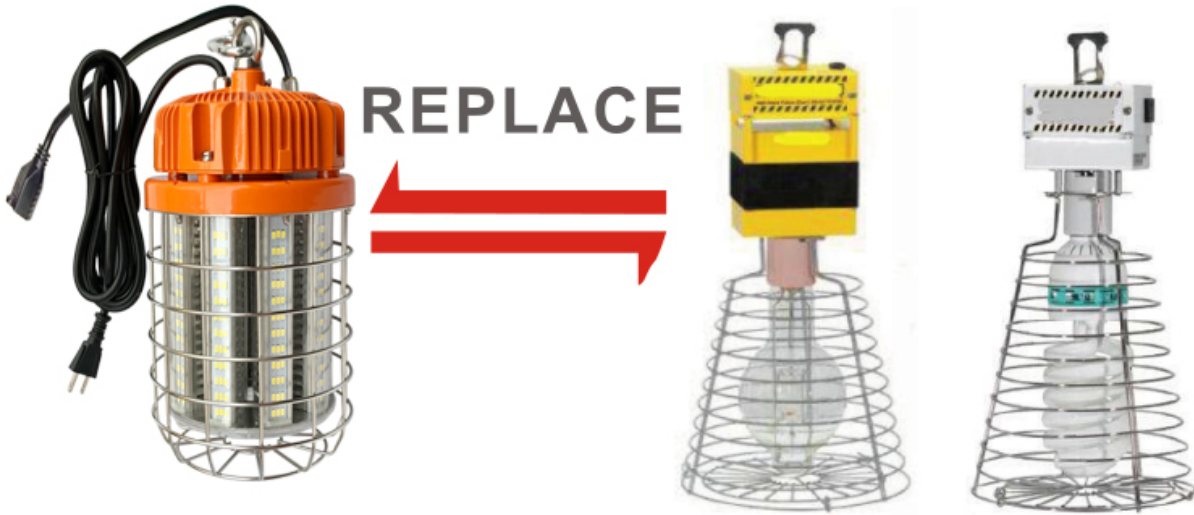


SOLID & DURABLE ELECTROLYTIC  
POLISHING STAINLESS STEEL



Watt	Lumen	Lighting Source	CCT	Voltage	CRI	PF	Beam Angle	IP Rating
100W	12000lm	360PCS 5730SMD	2700K-6500K	AC100-277V	>80	>0.9	360°	IP65

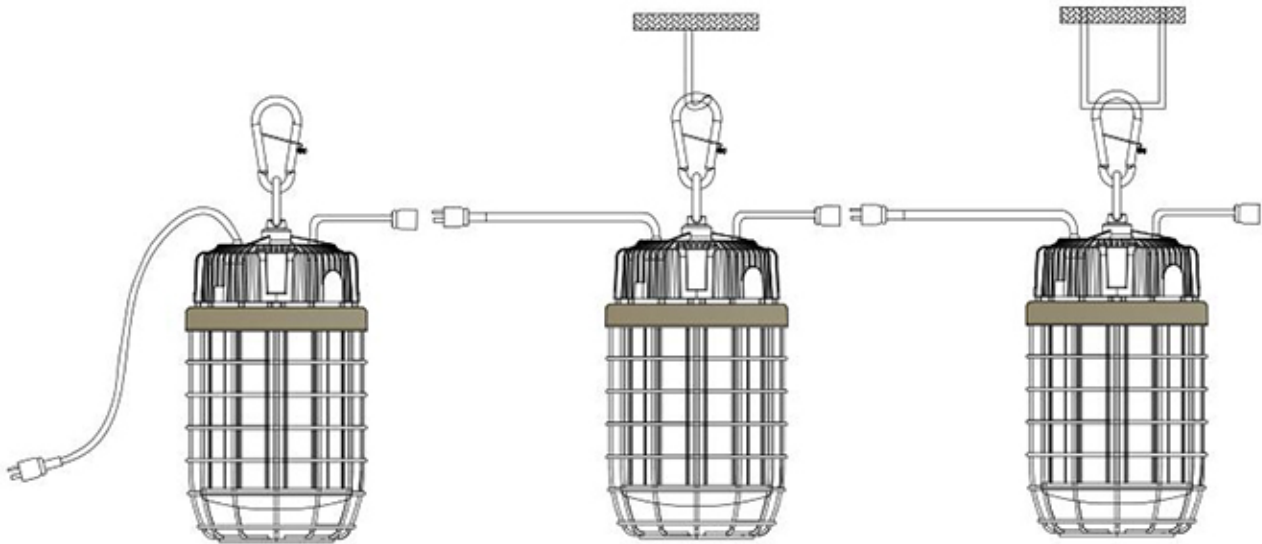
## Replace:



## Application:



## Installation



### Step: 1

Tightening O hook  
FIXED hook screw

### Step: 2

Ensure the fixed wall  
strong enough can bear 30kg

### Step: 3

Turn on the power  
(AC100-277V) and test

## Product Packing Specification

Packing Details	
Pack Quantity	4PCS
Net Weight	3.5kg
Gross Weight Per CTN	15kg
Box Size	190*190*360mm
CTN Size	395*395*380mm

